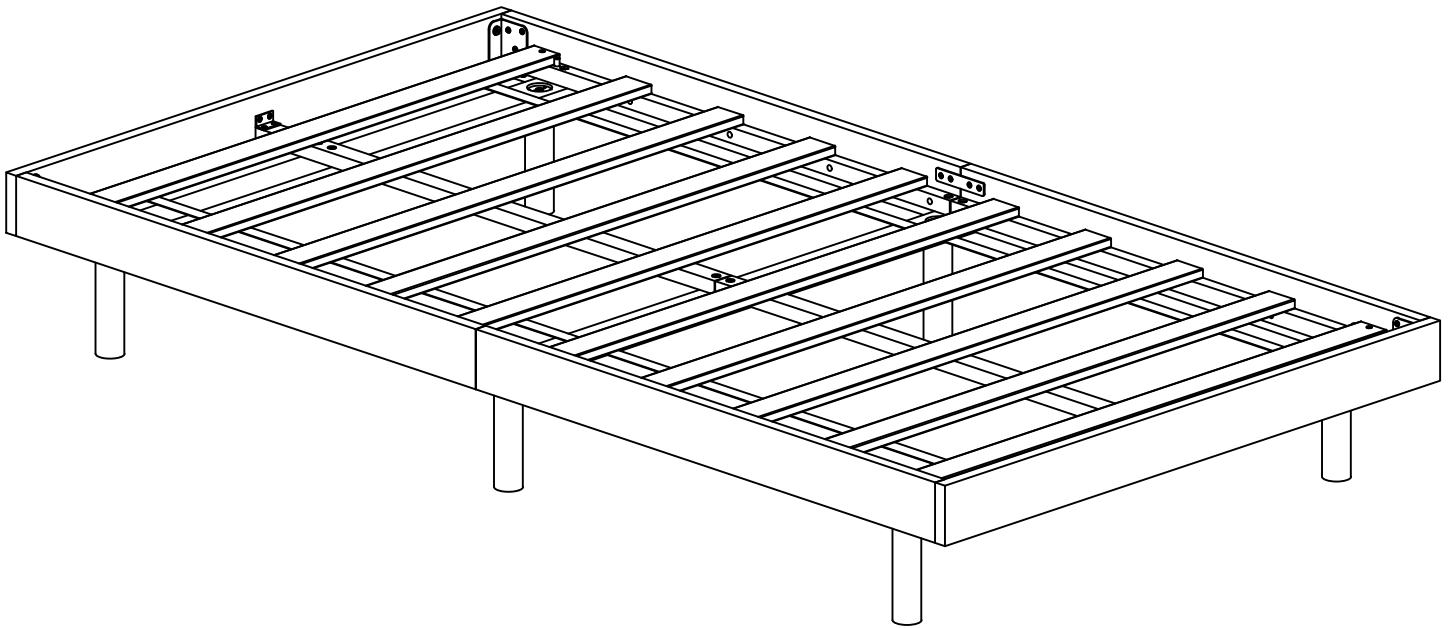
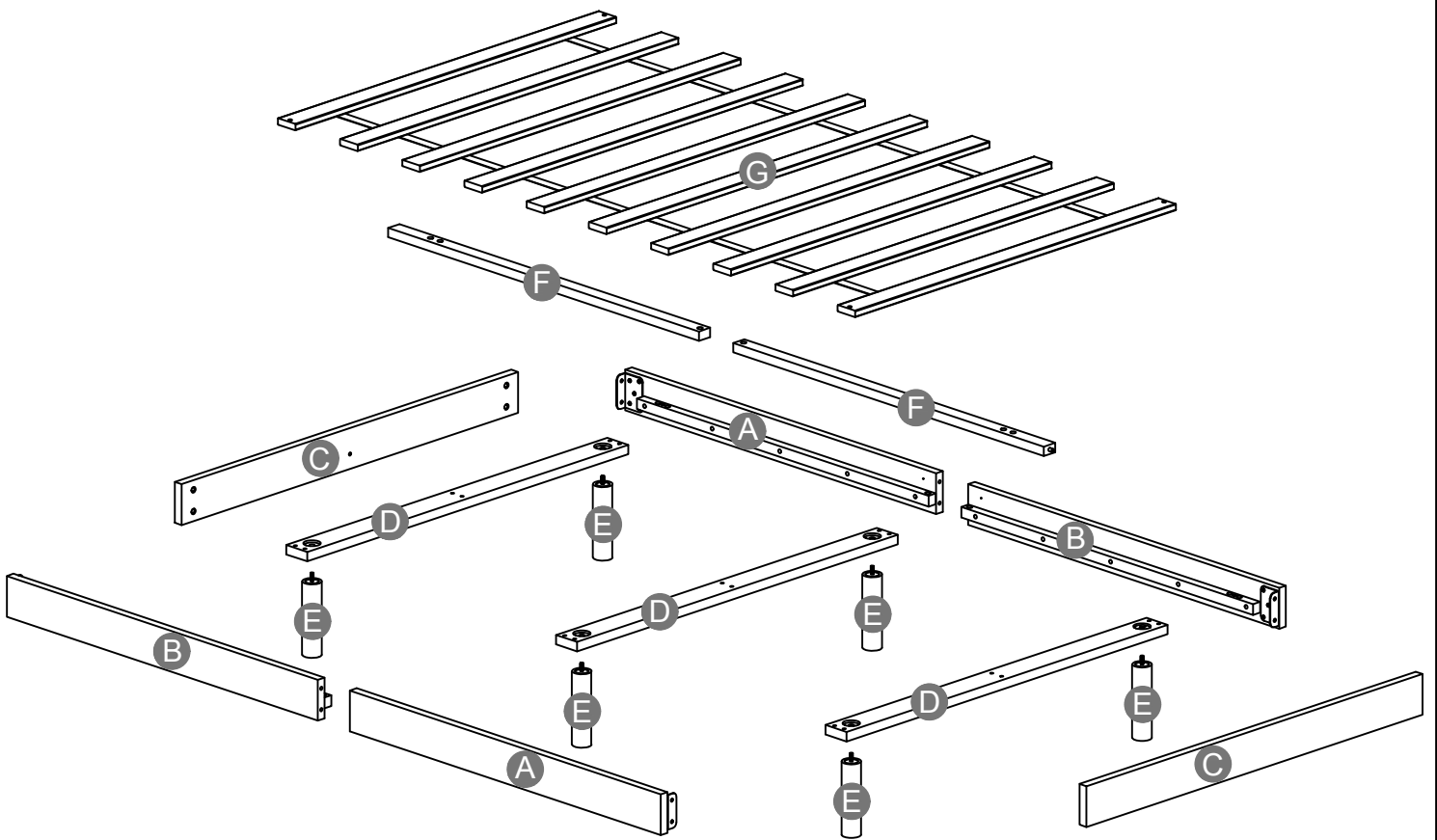




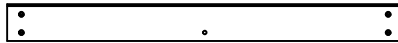
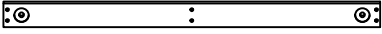

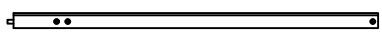
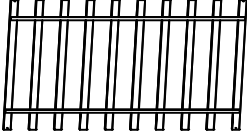
ASSEMBLY INSTRUCTIONS






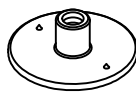
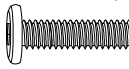

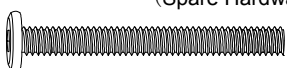
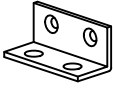

Detail View



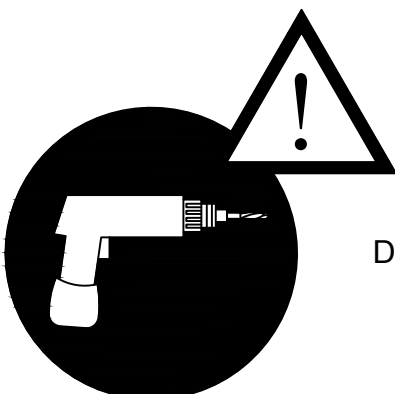
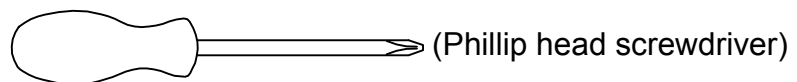
Part List

A  Side rail(1/2) - 2pcs	B  Side rail(2/2) - 2pcs	C  Horizontal bar HB&FB - 2pcs
D  Support legs - 3pcs	E  Legs - 6pcs	F  Support rail - 2pcs
G  Slats - 10pcs		

Hardware List

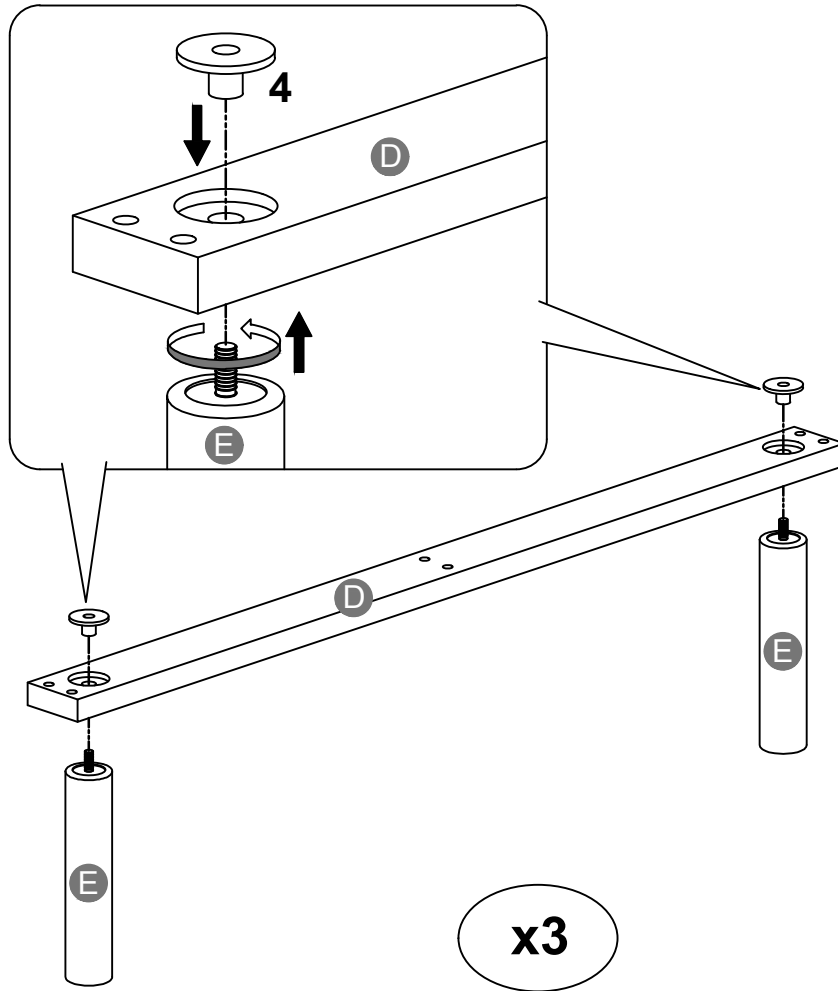
1  (Spare Hardware) 1pc Ø8*25mm Wood dowel (9 pcs)	2  (Spare Hardware) 2pcs Ø4*16mm Wood screws (18 pcs)	3  100*20*2mm Metal bracket (2pcs)
4  M8*Ø36*17mm T-Nut (6pcs)	5  (Spare Hardware) 1pc (Ø12)1/4"*15mm Hex-Head bolts (9pcs)	6  Ø4*32mm Wood screws (4 pcs)
7  (Spare Hardware) 2pcs (Ø12)1/4"*38mm Hex-Head bolts (20pcs)	8  35*18*18*2mm Metal bracket (2pcs)	9  (1/4")4*60mm Allen key (1pc)

ASSEMBLY TOOLS REQUIRED (NOT INCLUDED)

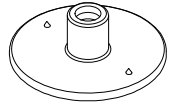


DO NOT USE POWER TOOLS TO ASSEMBLE THIS PRODUCT !

STEP 1:

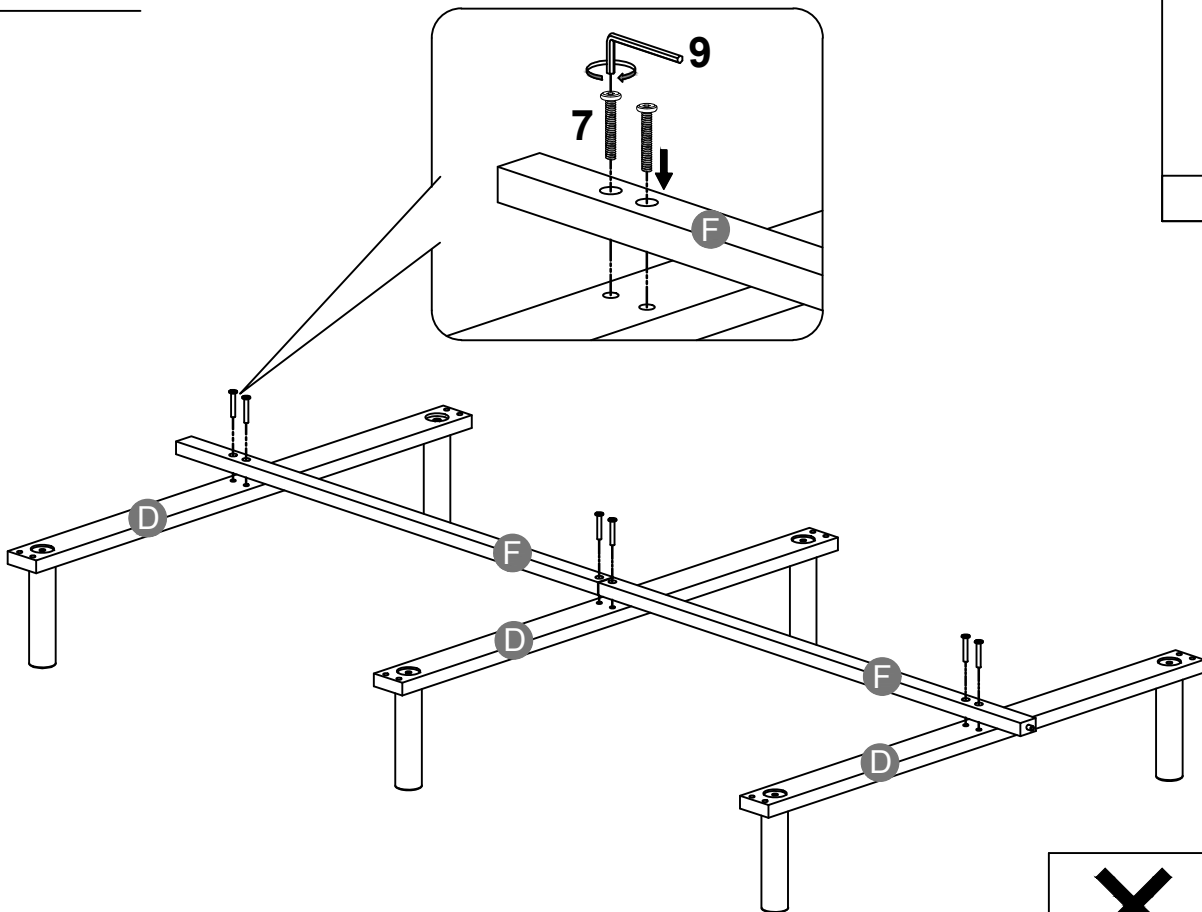


4



6PCS

STEP 2:



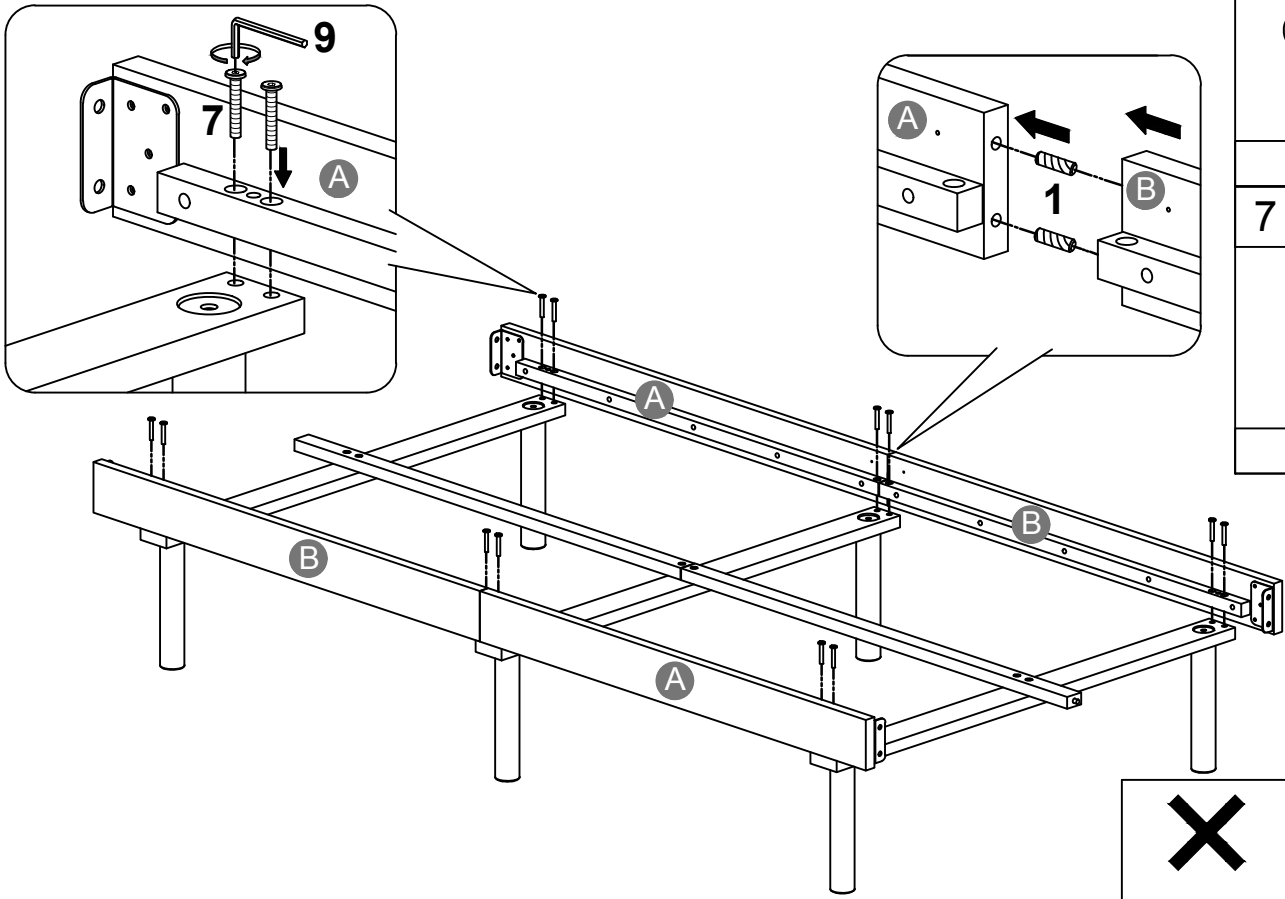
7



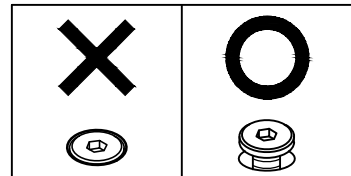
6PCS



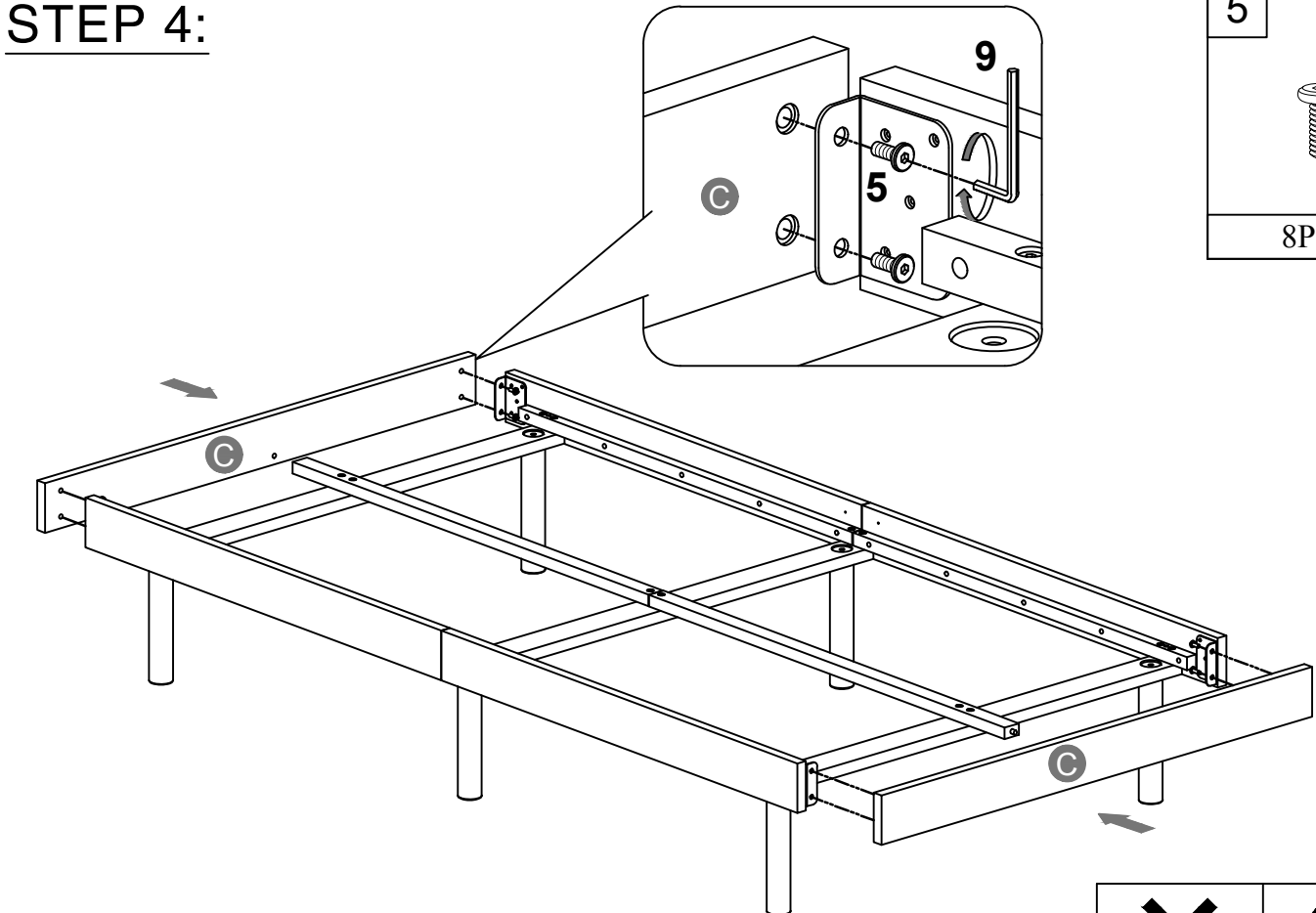
STEP 3:



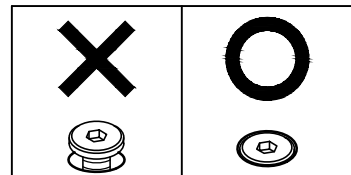
1	
	4PCS
7	
	12PCS



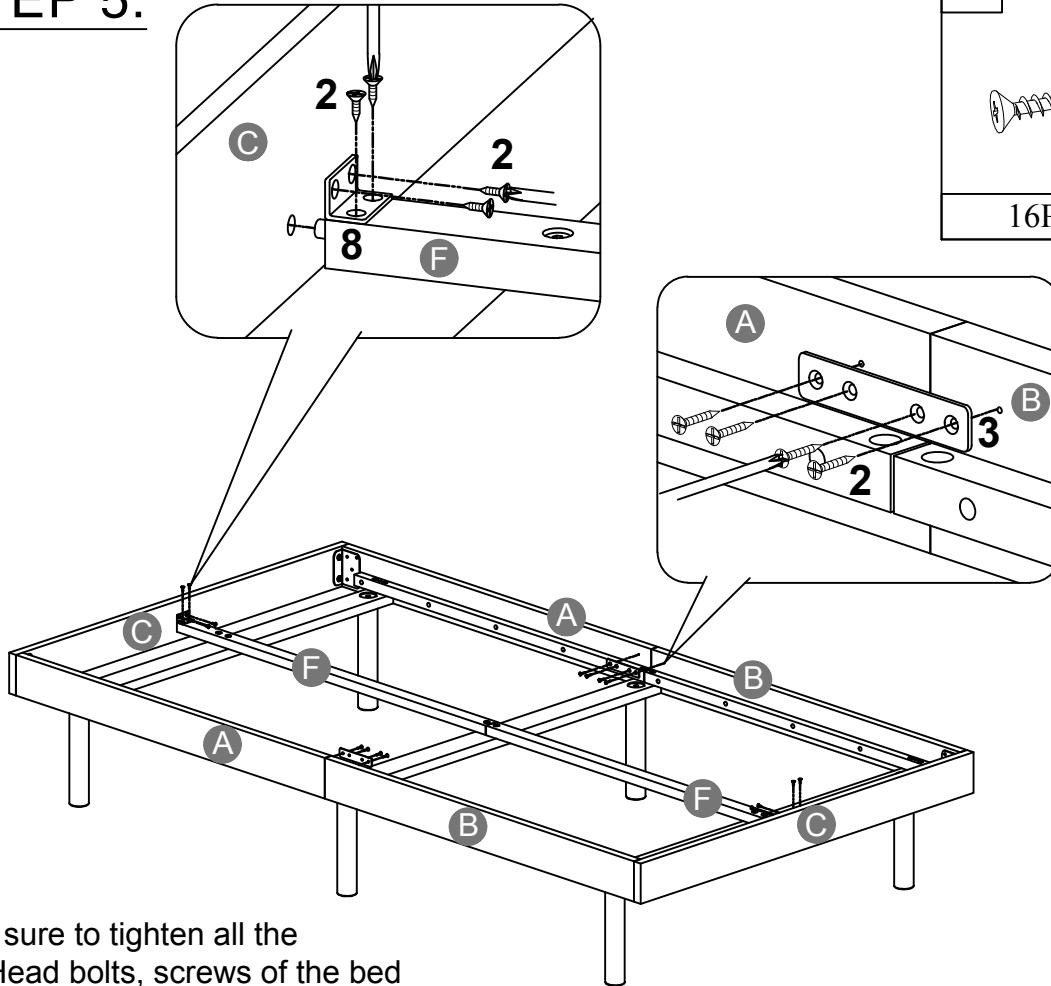
STEP 4:



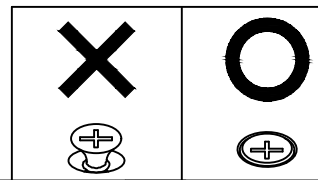
5	
	8PCS



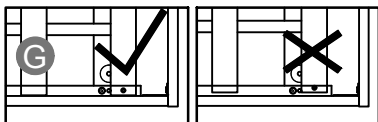
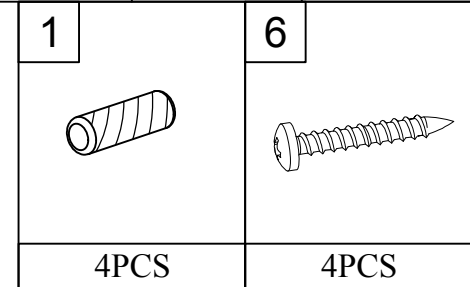
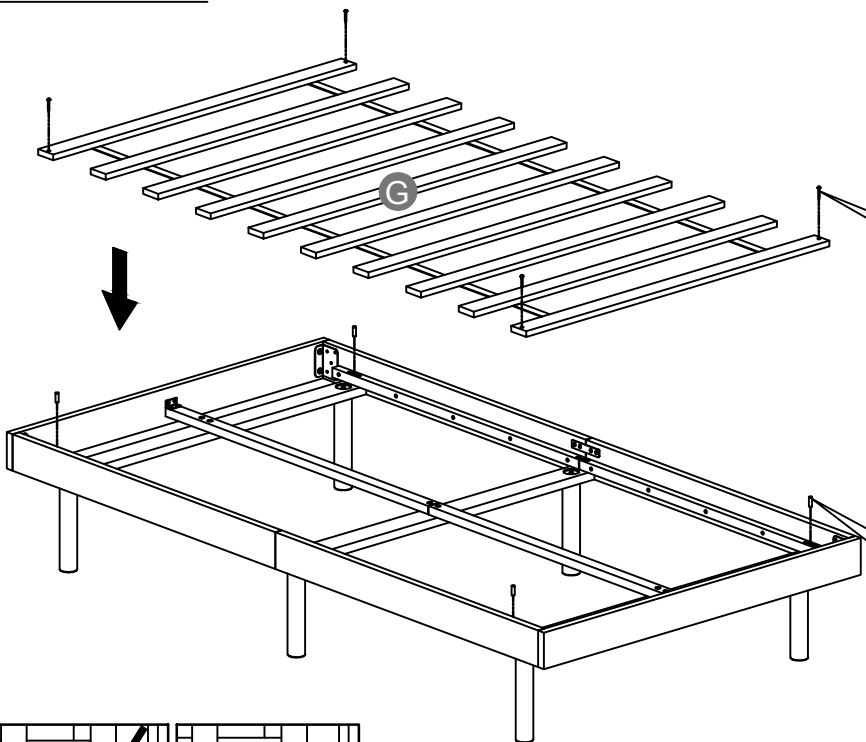
STEP 5:



Make sure to tighten all the Hex-Head bolts, screws of the bed



STEP 6:



Note: Do not lock the screws of the bed slats to the outermost edge of the bed slats, you need to leave a certain space at the edges, otherwise it will cause the board to break. Do not lock the bed slats on the edge of the wood, please hold firmly before screwing, hold it in place with one hand, then lock the screw.

