



Assembly Instruction

Instructions for Use










Up/Down adjustment



360°Rotatable

Thanks for purchasing our products. Please read this manual before assembly. And please assemble in order. After the assembly, keep the instruction properly. Make sure all the parts are included (8 kinds in total).

Accessories List

<p>(1) 4 Screws (M6X18mm)</p> 	<p>(2) Seat Cushion</p> 	<p>(3) Central Base</p> 	<p>(4) Hexagon Wrench</p> 
<p>(5) 5 Castors</p> 	<p>(6) Air Rod</p> 	<p>(7) Base Plate</p> 	

Notice

- Do not stand in this chair or use the chair as a step ladder, use it as chair only.
- Do not use this chair unless all bolts, screws and knobs are firmly secured.
- This chair is designed for one person to use at a time, weighting up to 300lbs (136kg).
- Check all bolts, screws and knobs every 90 days. Tighten them if any are loose.
- Failure to follow these instructions may result in serious injury or death of yourself and people around you.
- Some of the parts are heavy and/or have sharp edge, please install it carefully to avoid hurting you and people around you.

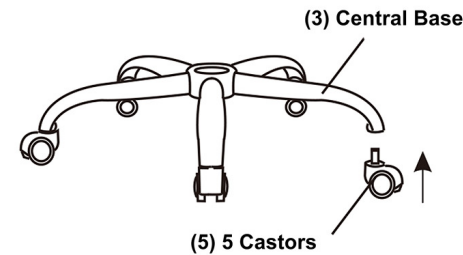
Assembly Instruction

Please assemble in a wide and flat place.

Step 1

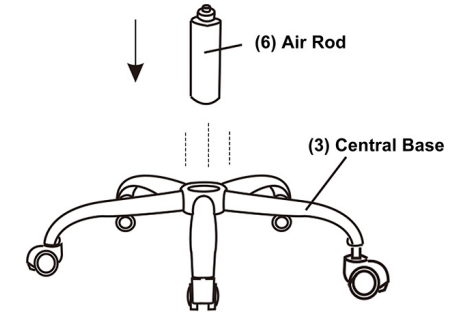
Take out 5 Castors (5). Insert Castors into Central Base (3) as shown. There are 5 Castors need to be inserted.

* Note: Make sure that the 5 casters (5) are inserted deeply. Otherwise the casters will easily come off and the chair may fall down.



Step 2

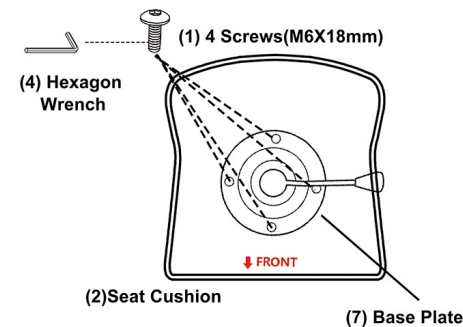
Take out the Air Rod (6), place the Air Rod into the hole in the Center Base (3) as shown. Set it aside, we will use it in step 4.



Step 3

Attach the Base Plate (7) to the bottom of the Seat Cushion (2). Tighten the Screws (M6X18mm) (1) with the Hexagon Wrench (4).

*NOTE: There is a FRONT sticker on the front of the Base plate (7).



Step 4

Then insert the Air Rod (6) into the Base Plate (7); The Base Plate (7) has holes in the middle, Press the Seat Cushion (2) from top to bottom, firmly insert it with full body force, and the assembly is completed.

