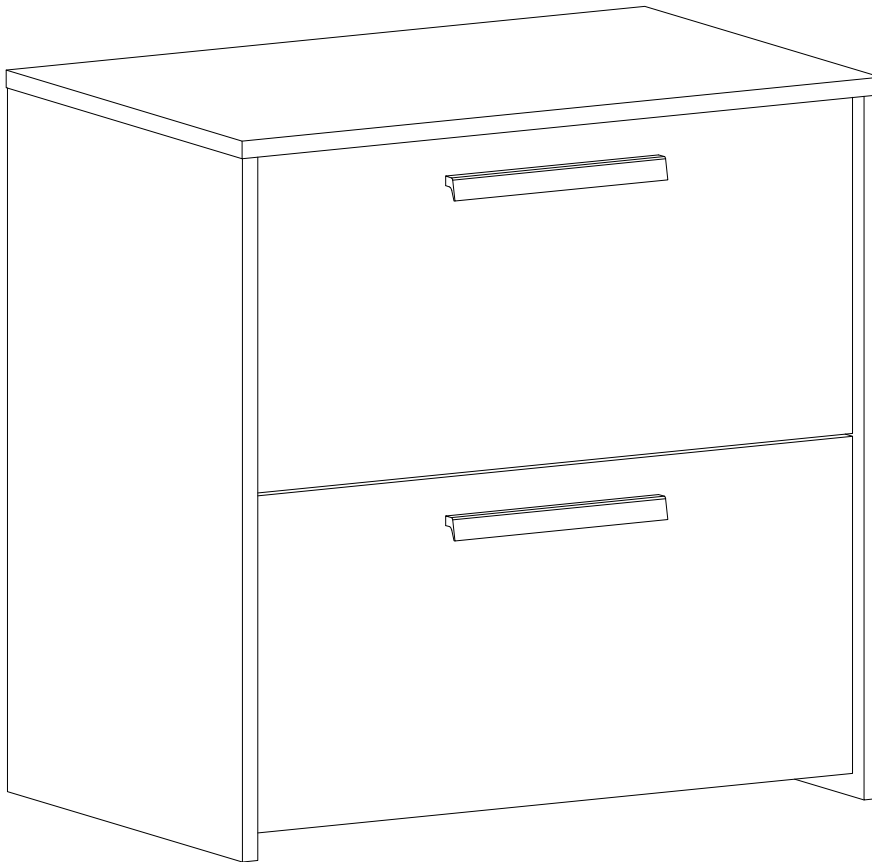


ASSEMBLY INSTRUCTIONS

Important Safety Instructions:

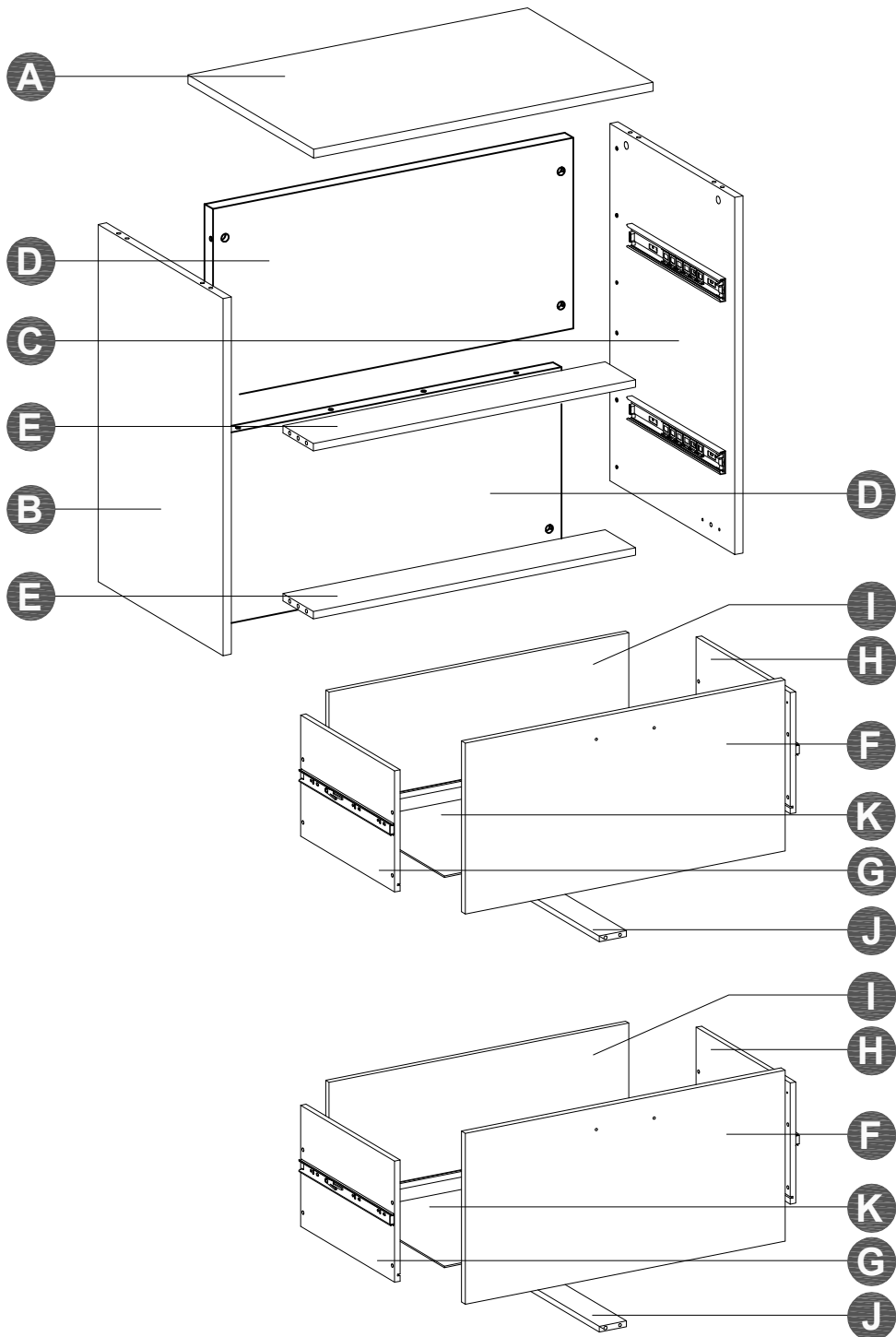
- Please read all instructions before beginning assembly
- Please make sure receive all the parcels to start the assembly
- For your safety and convenience, assembly by two people is recommended
- Use the parts and hardware lists to identify and separate each of the components included
- Save all packing materials until assembly is completed to avoid the accidental discarding of smaller parts or hardware




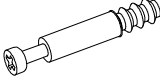

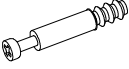




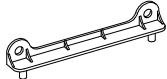



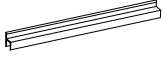
THANK YOU FOR PURCHASING

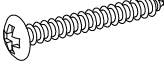

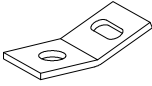
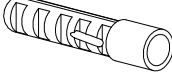

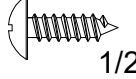
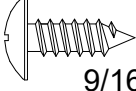
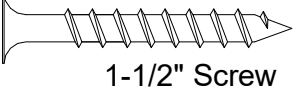
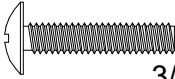
PARTS LIST

- A** X1 **B** X1 **C** X1 **D** X2 **E** X2
- F** X2 **G** X2 **H** X2 **I** X2 **J** X2
- K** X2



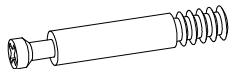
HARDWARE LIST

Name	Part	Qty.	Spare
A1		20	1
B1		20	1
C1		4	1
D1		4	1
E1		4	1
F1		12	1
H1		4	
I1		2	
J1		4	
K1		4	
L1		2	
M1		2	
N1		4	

Name	Part	Qty.	Spare
U1		1	
U2		1	
U3		2	
U4		1	
U5		1	
S1	 1/2" Screw	16	1
S2	 9/16" Screw	8	1
S3	 1-1/2" Screw	12	1
S4	 3/4" Bolt	4	1

STEP 1

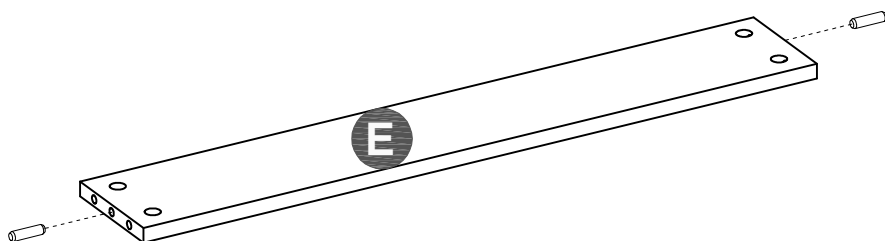
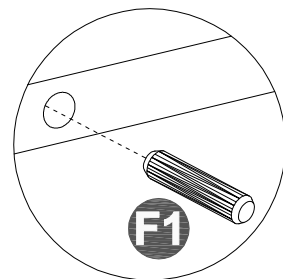
B1 x 16pcs



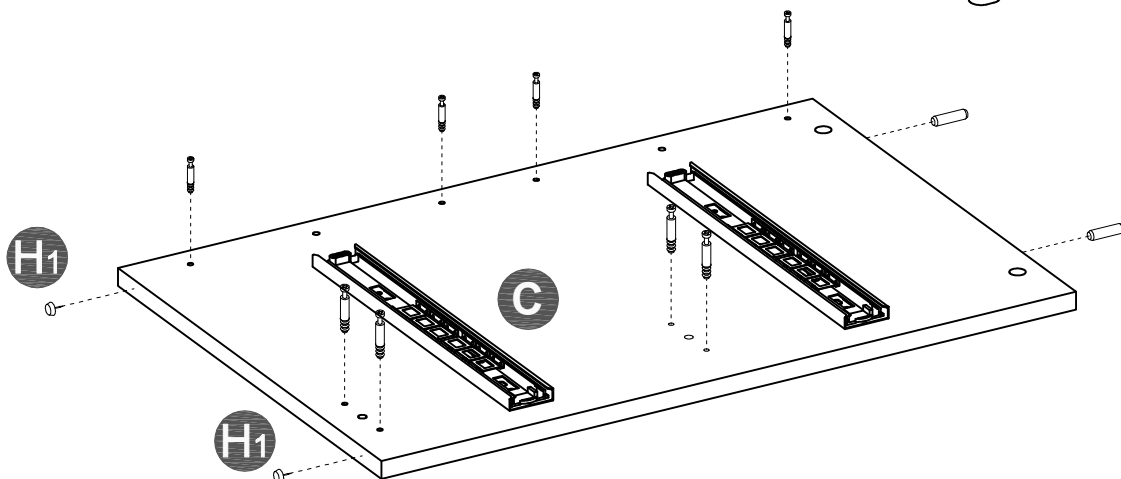
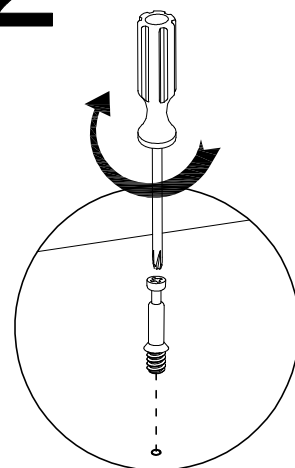
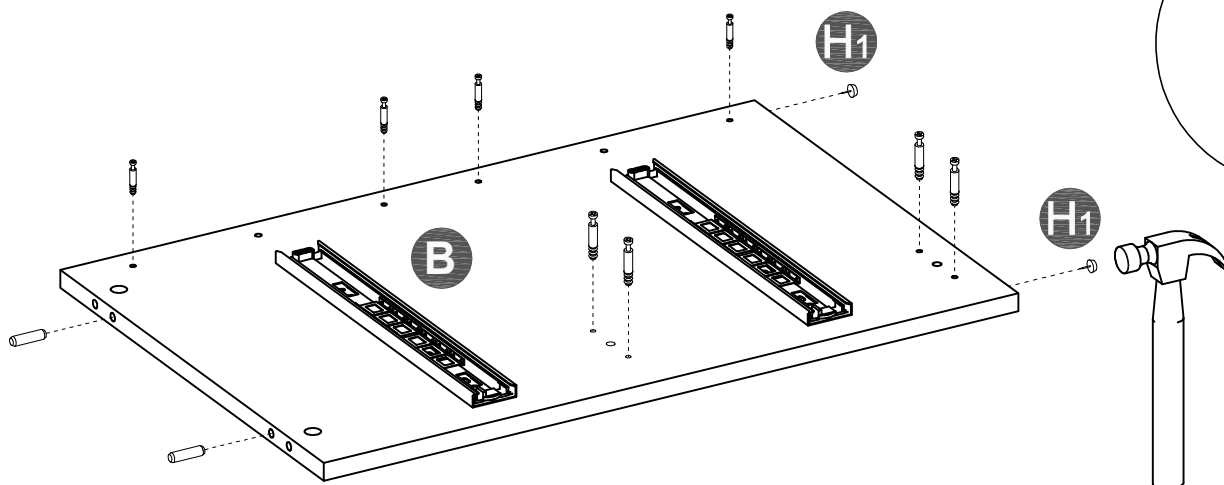
F1 x 8pcs



H1 x 4pcs



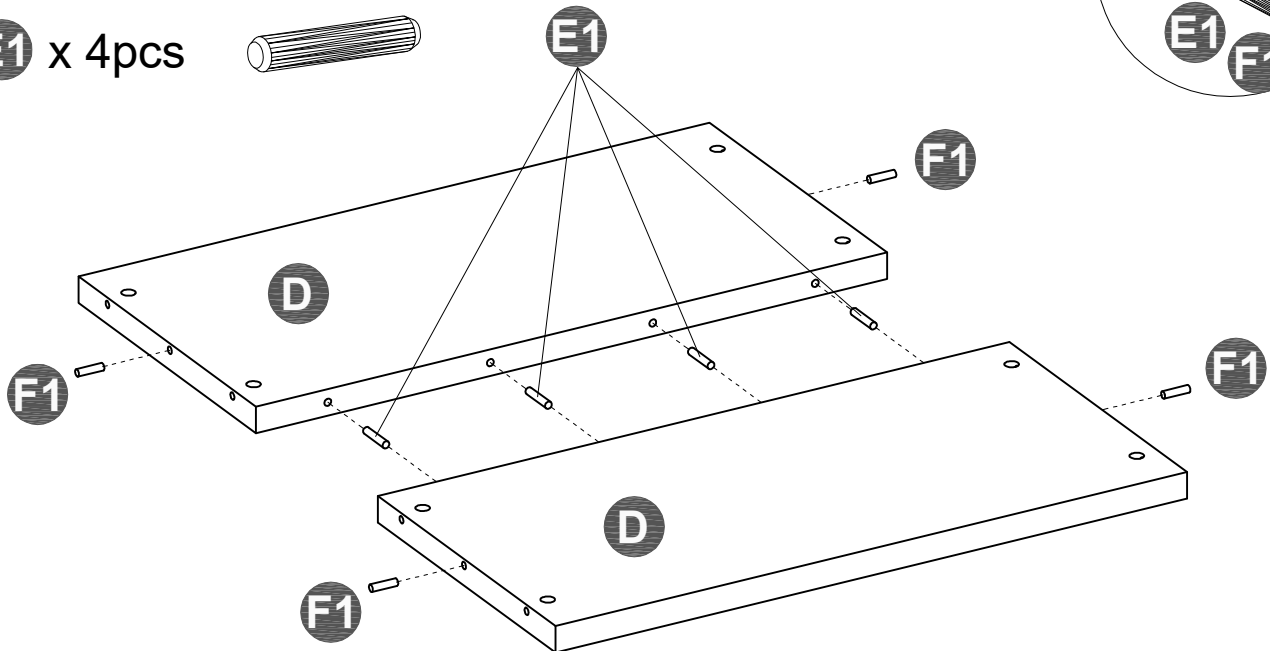
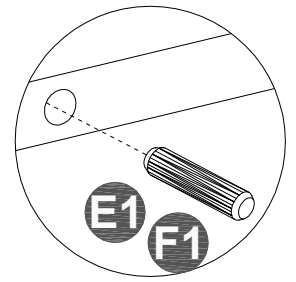
x 2




STEP 2

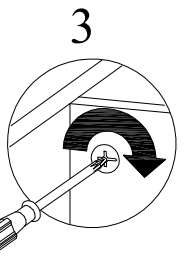
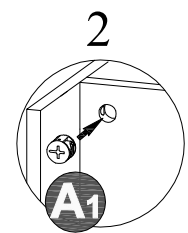
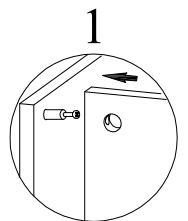
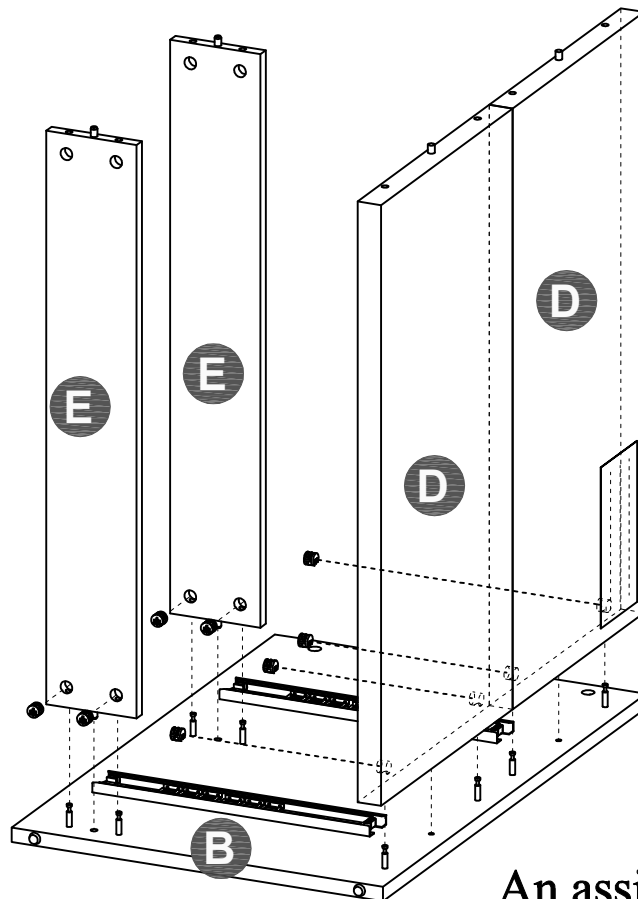
F1 x 4pcs 

E1 x 4pcs 



STEP 3

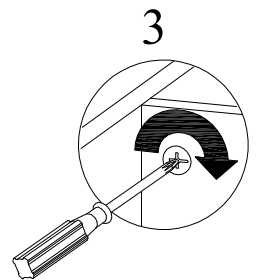
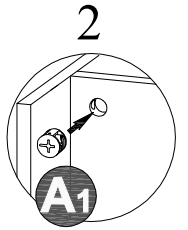
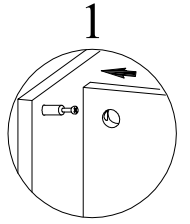
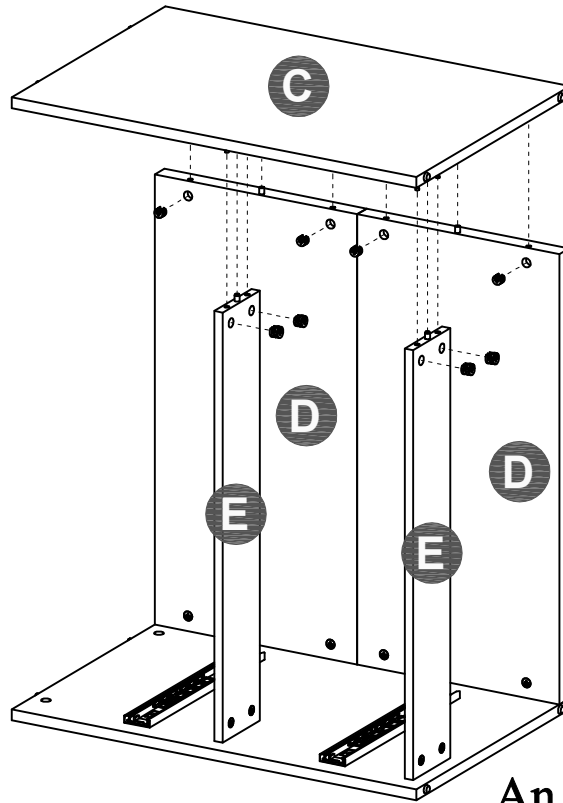
A1 x 8pcs 



An assistant is required.

STEP 4

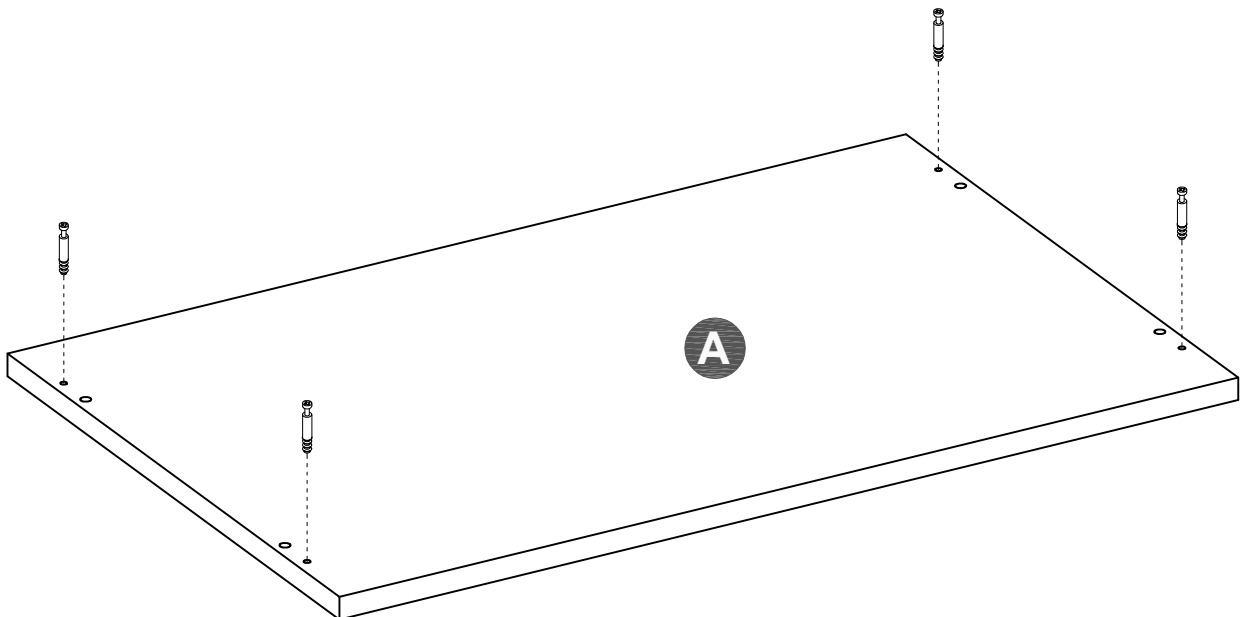
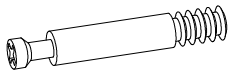
A1 x 8pcs



An assistant is required.

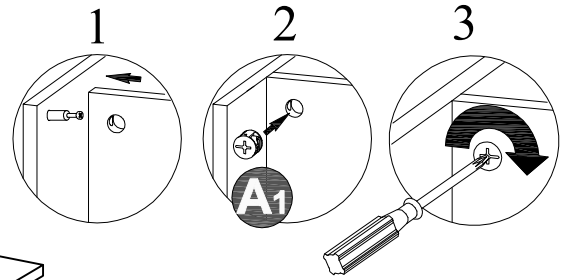
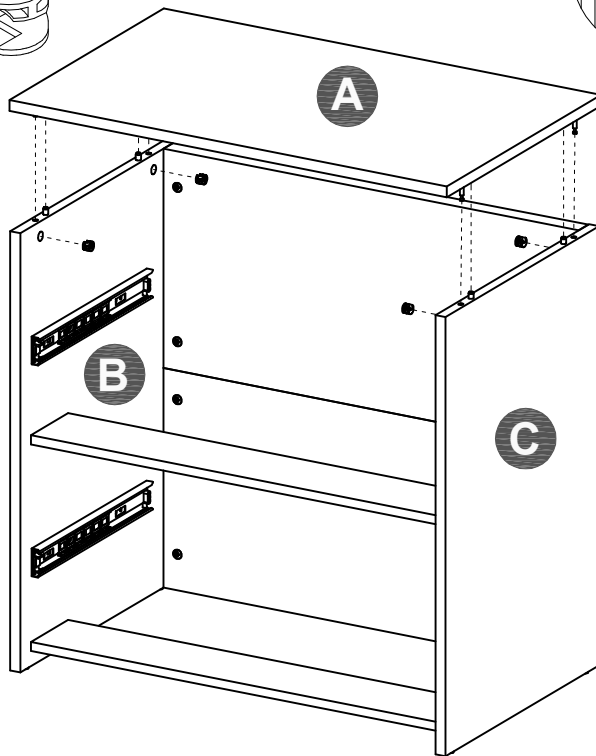
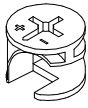
STEP 5

B1 x4pcs



STEP 6

A1 x 4pcs



With assistant carefully stand unit up.

An assistant is required.

STEP 7

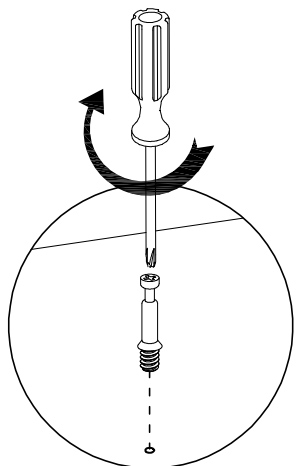
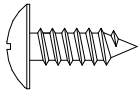
L1 x 2pcs



J1 x 4pcs



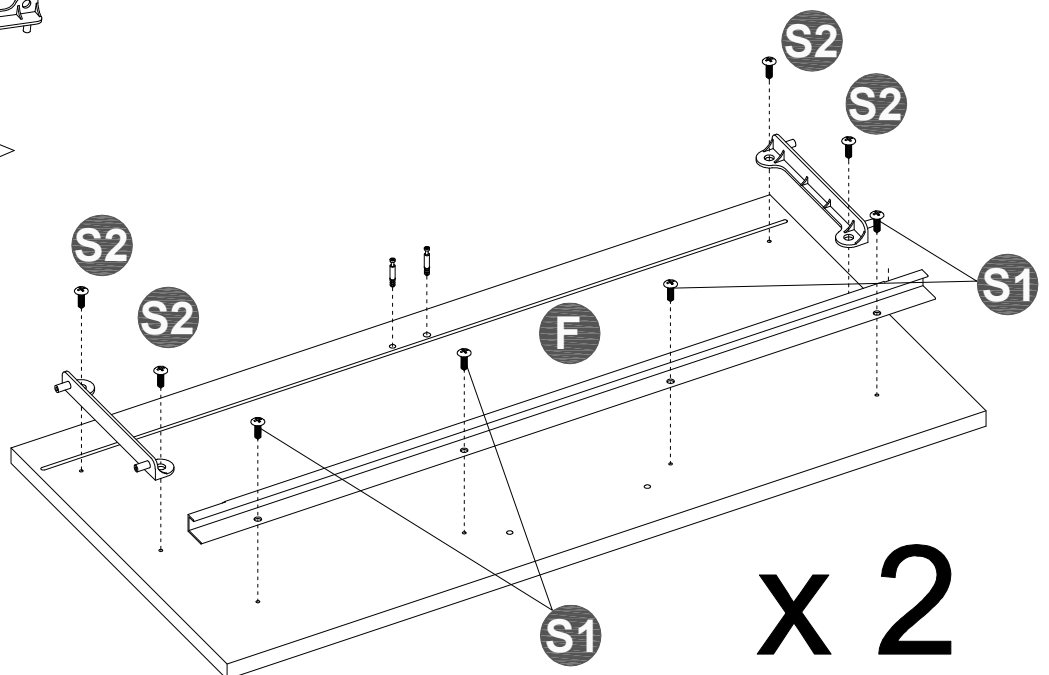
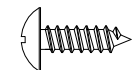
S2 x 8pcs



D1 x 4pcs

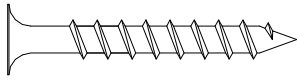


S1 x 8pcs



STEP 8

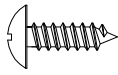
S3 x 12pcs



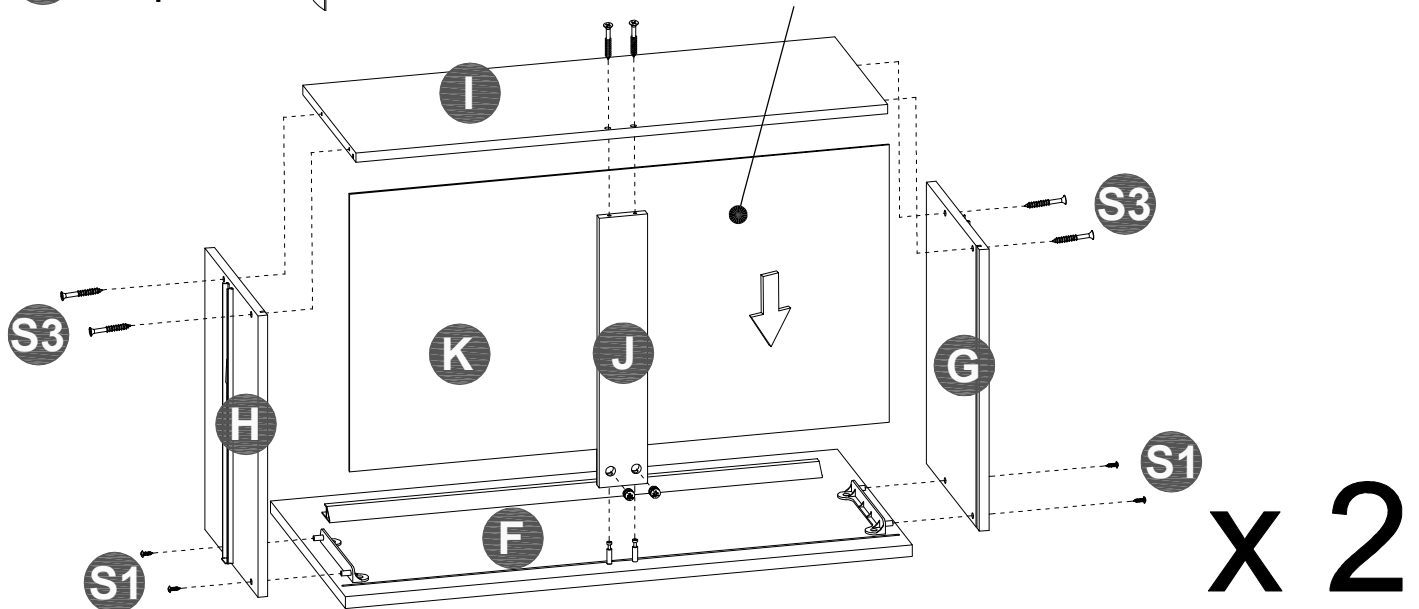
C1 x 4pcs



S1 x 8pcs



Raw Side

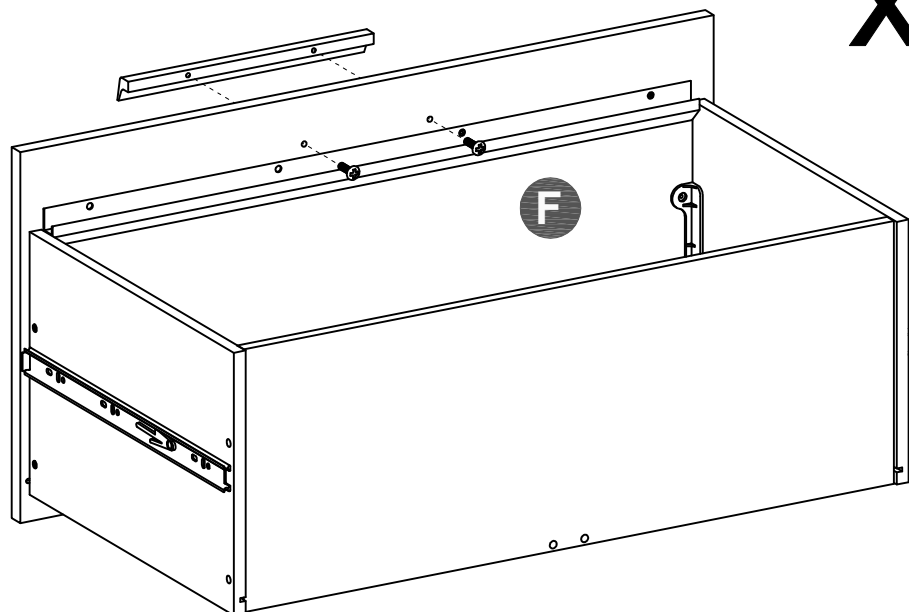


STEP 9

I1 x 2pcs



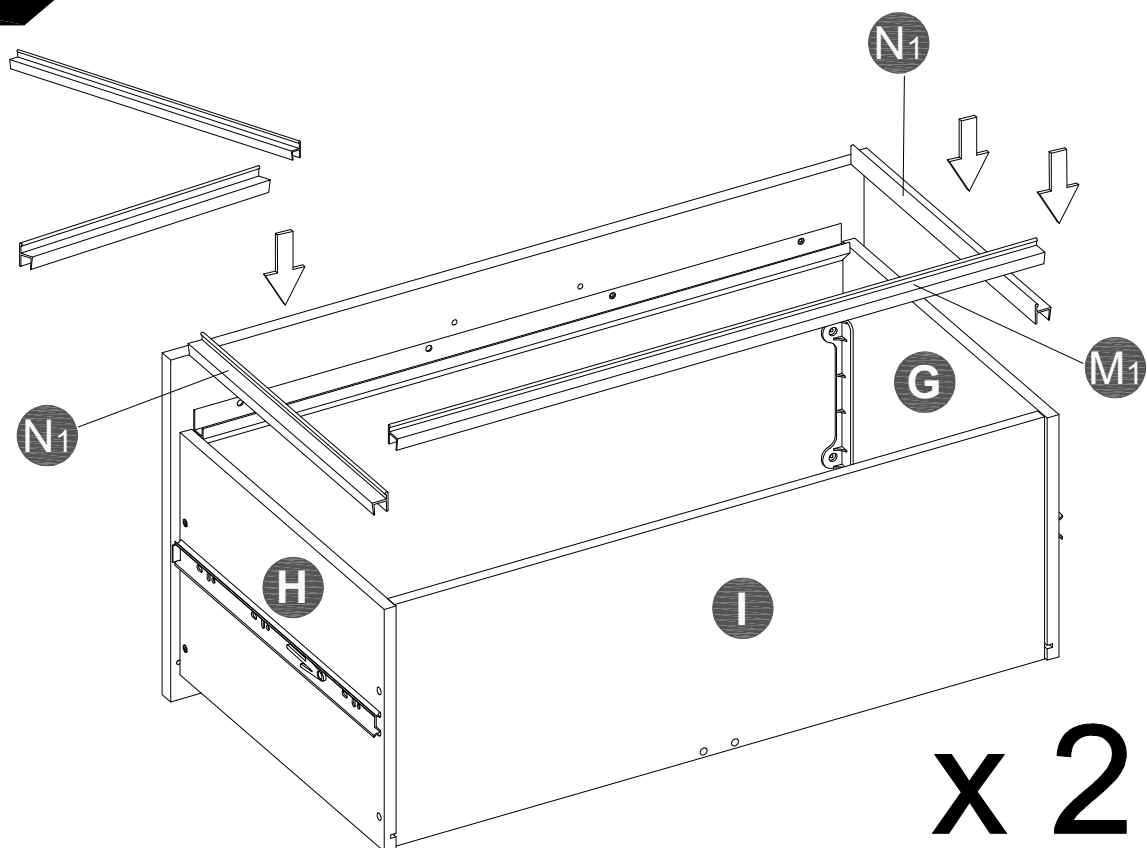
S4 x 4pcs



STEP 10

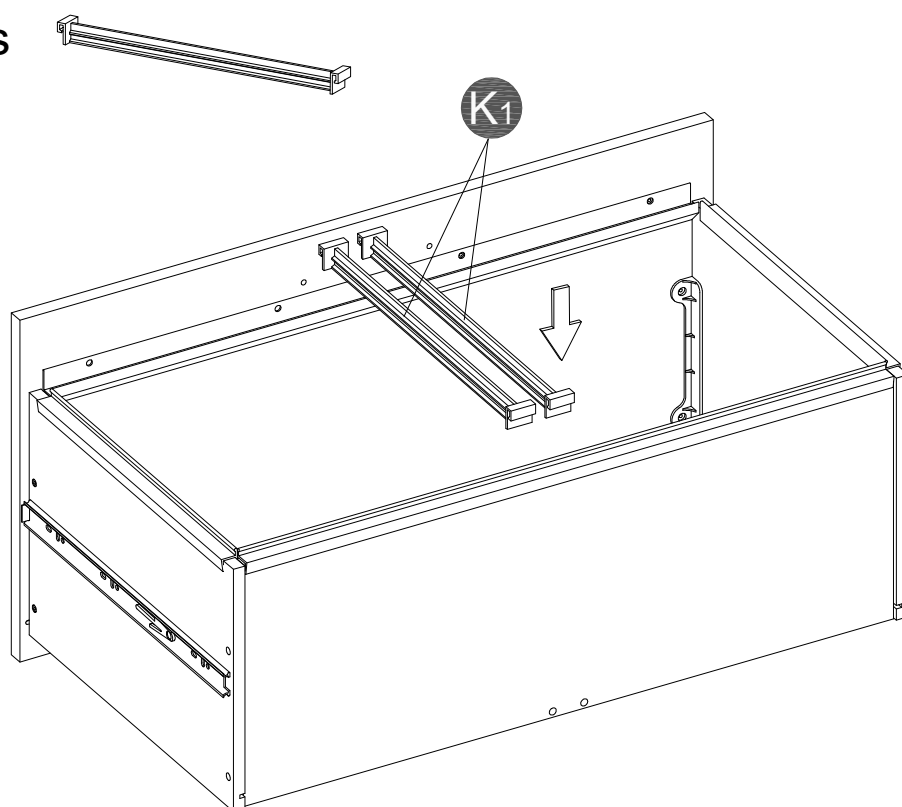
M1 x 2pcs

N1 x 4pcs



STEP 11

K1 x 4pcs



STEP 12

-Move unit to final location.

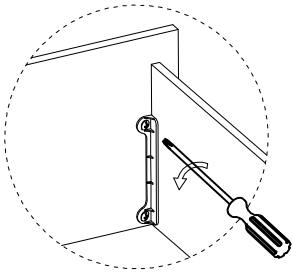
-Adjust drawer fronts as shown below.

Step1--Loosen screws on back of drawer front brackets as shown.

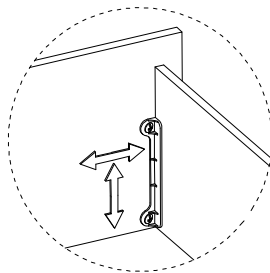
Step2--Position drawer front as required.

Step3--Tighten screws while holding drawer front in position.

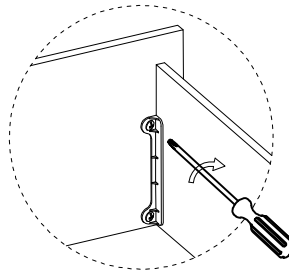
STEP 1.



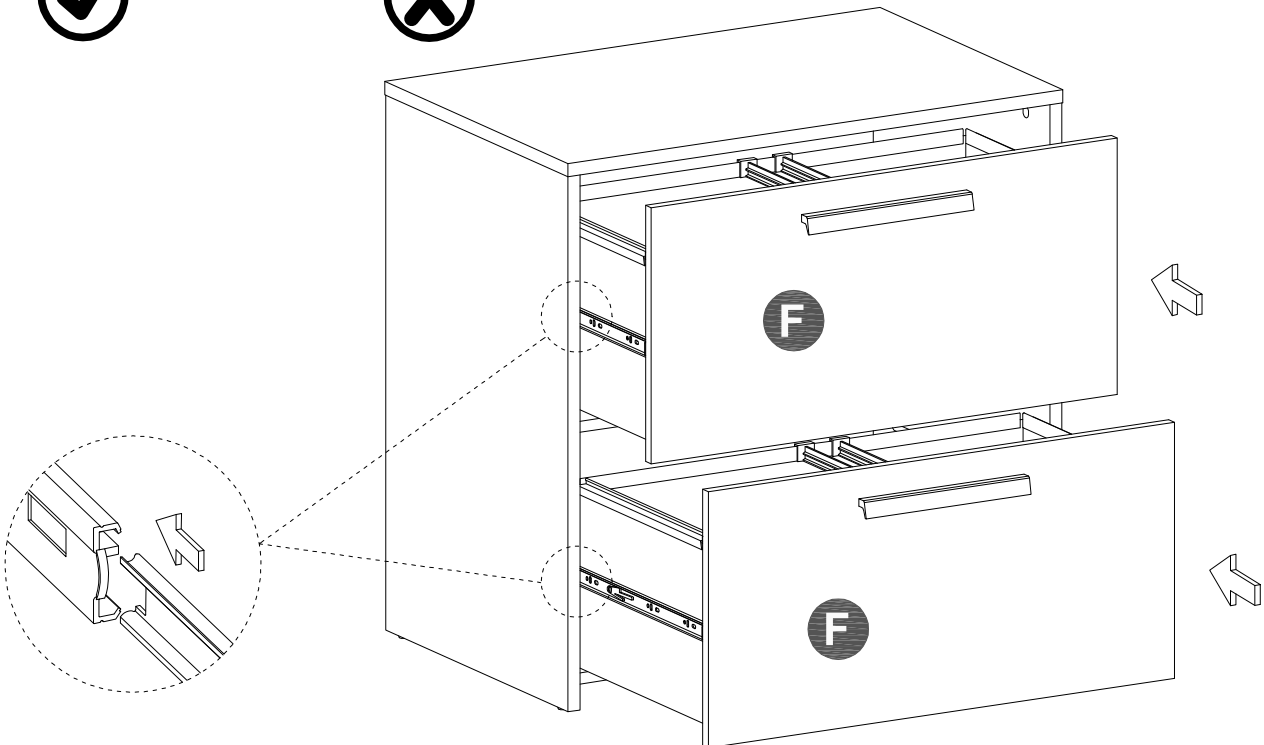
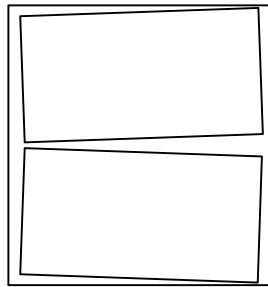
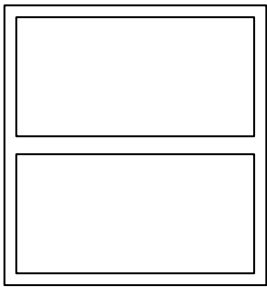
STEP 2.



STEP 3.



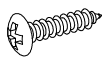
DRAWER FRONT VIEW



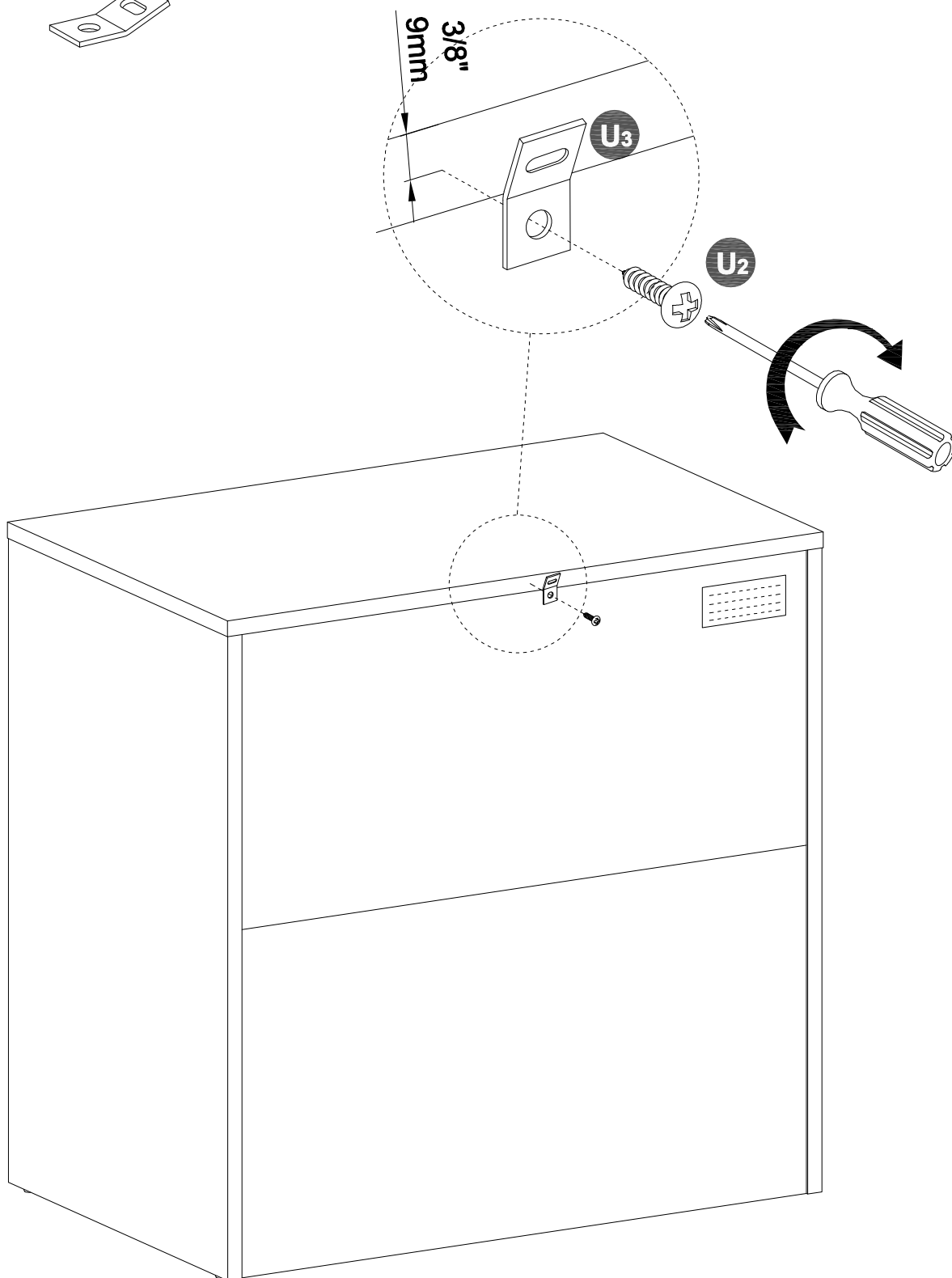
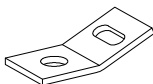
An assistant is required.

STEP 13

U₂ x1pc

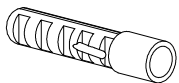


U₃ x1pc

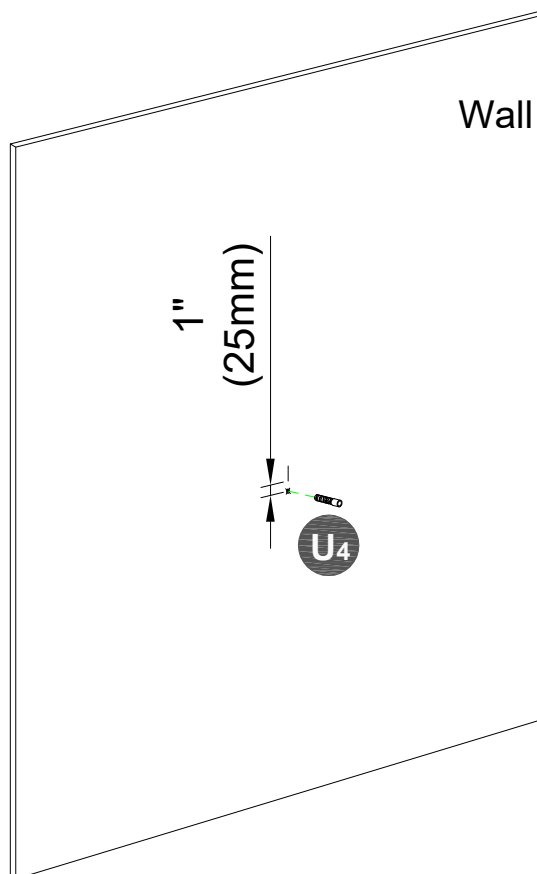
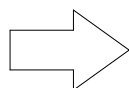
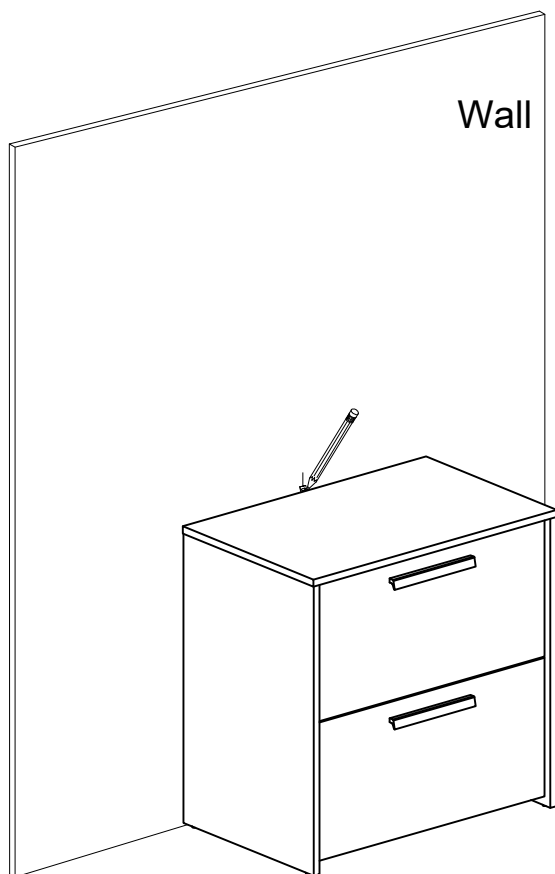
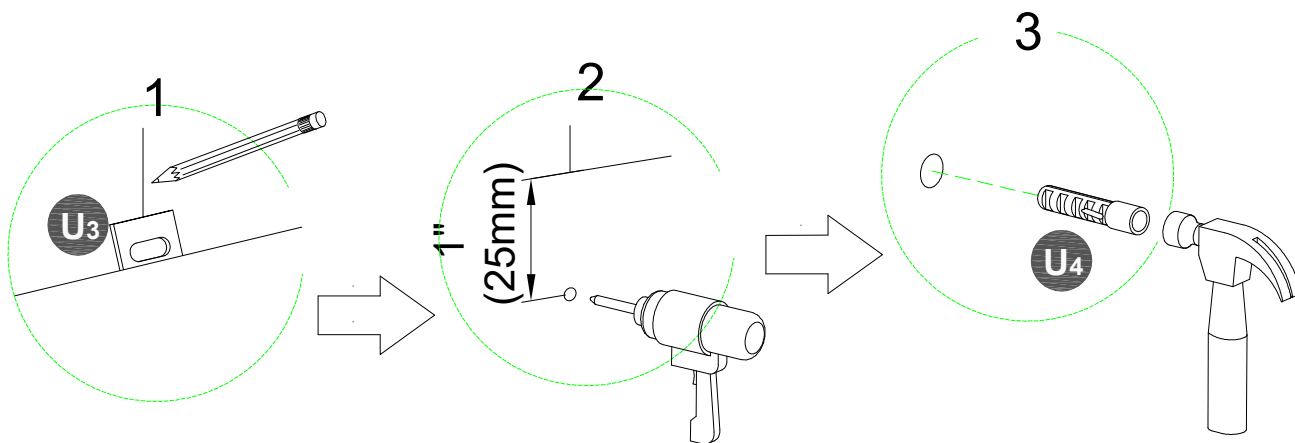


STEP 14

U₄ x1pc

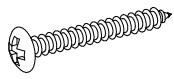


1. Place unit in desired location.
2. Mark stud location on the wall, 1" below top and side of unit.
3. Drill 5/16" hole 2" deep at marks on the wall.



STEP 15

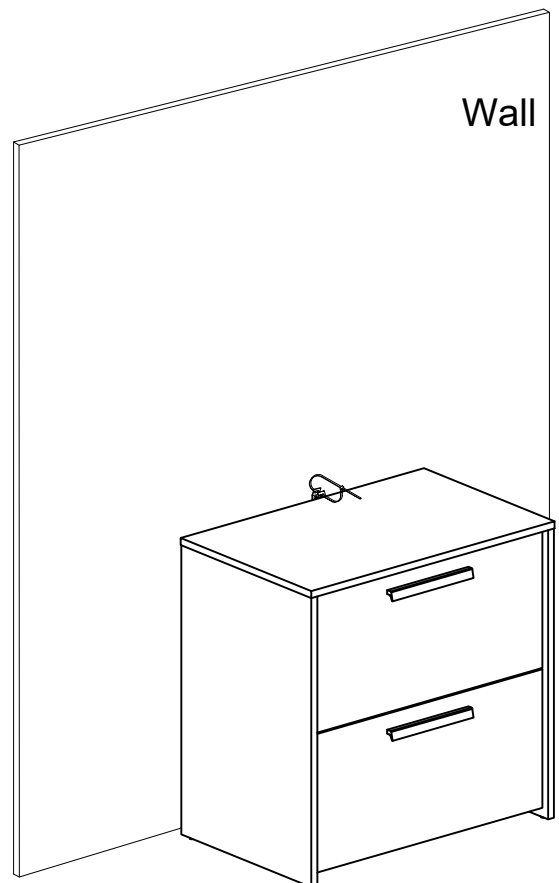
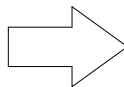
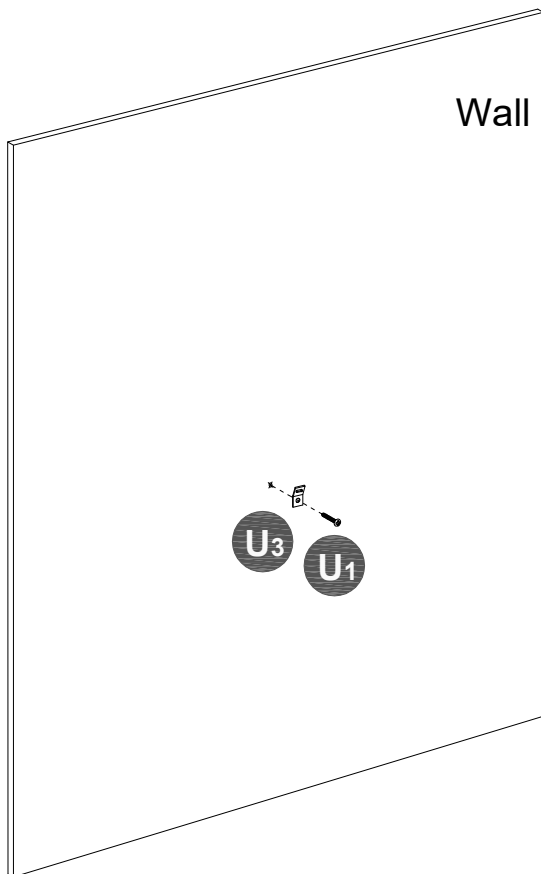
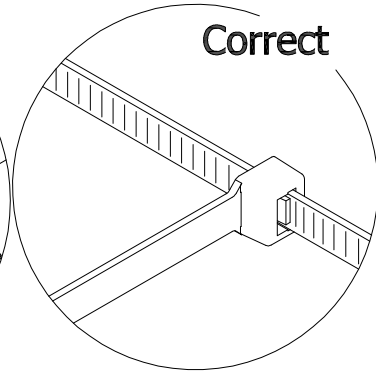
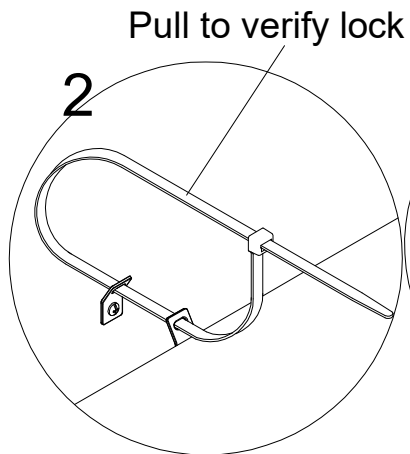
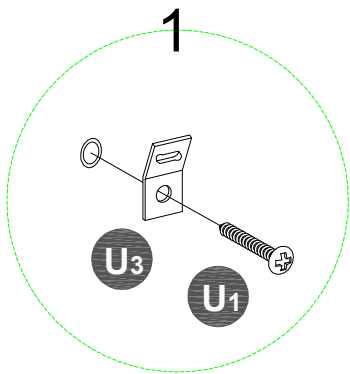
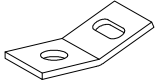
U₁ x1pc



U₅ x1pc



U₃ x1pc



Maximum weight capacities

**MAXIMUM WEIGHT:
200 LBS (91 KG)**

**MAXIMUM WEIGHT:
50 LBS (22.5 KG)**

