



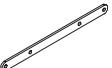
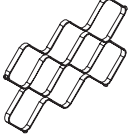
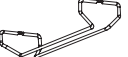
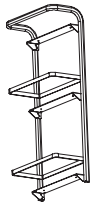
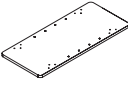
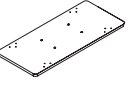
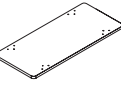
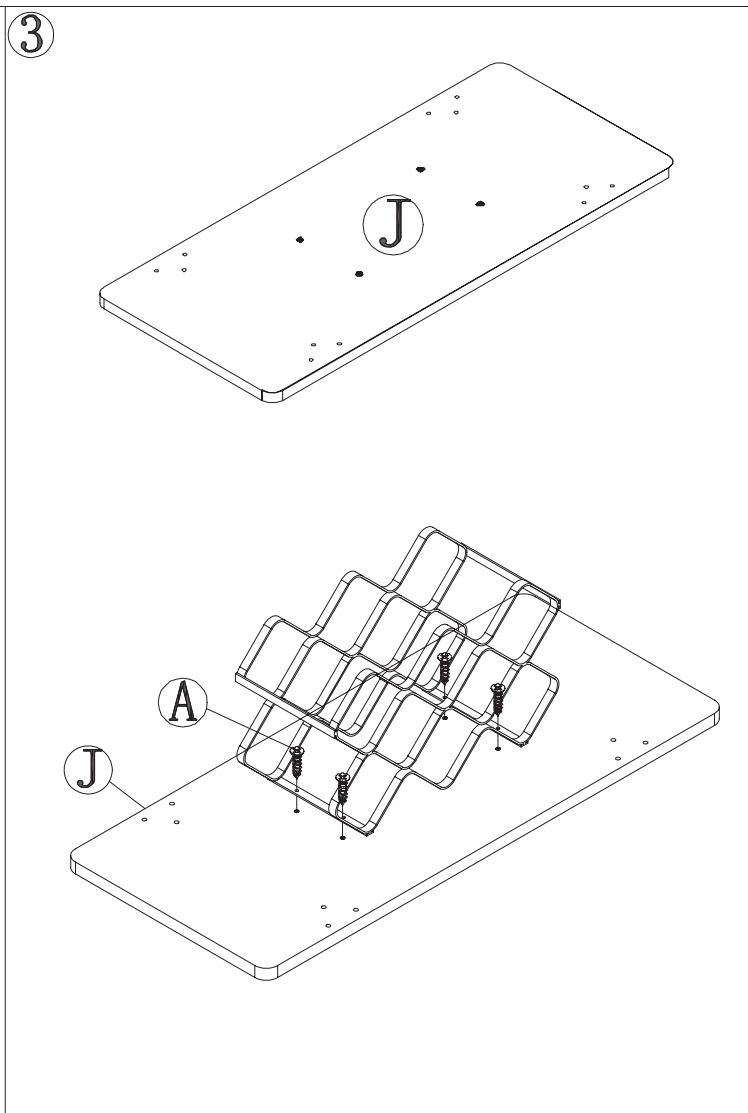
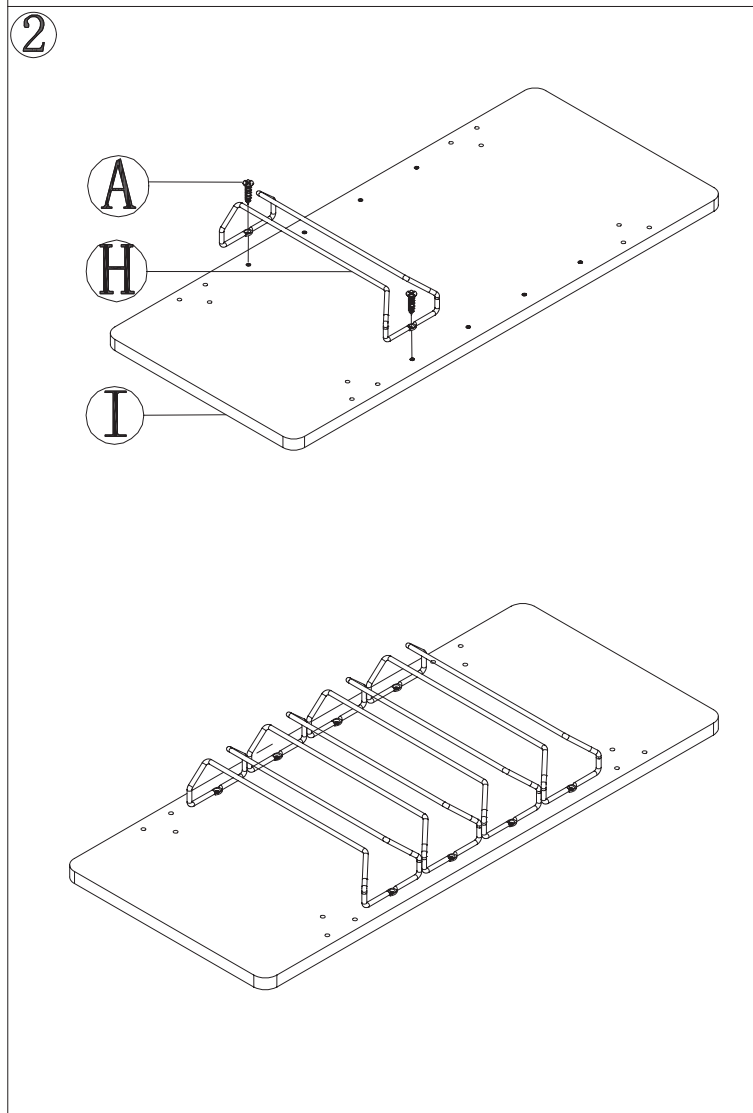
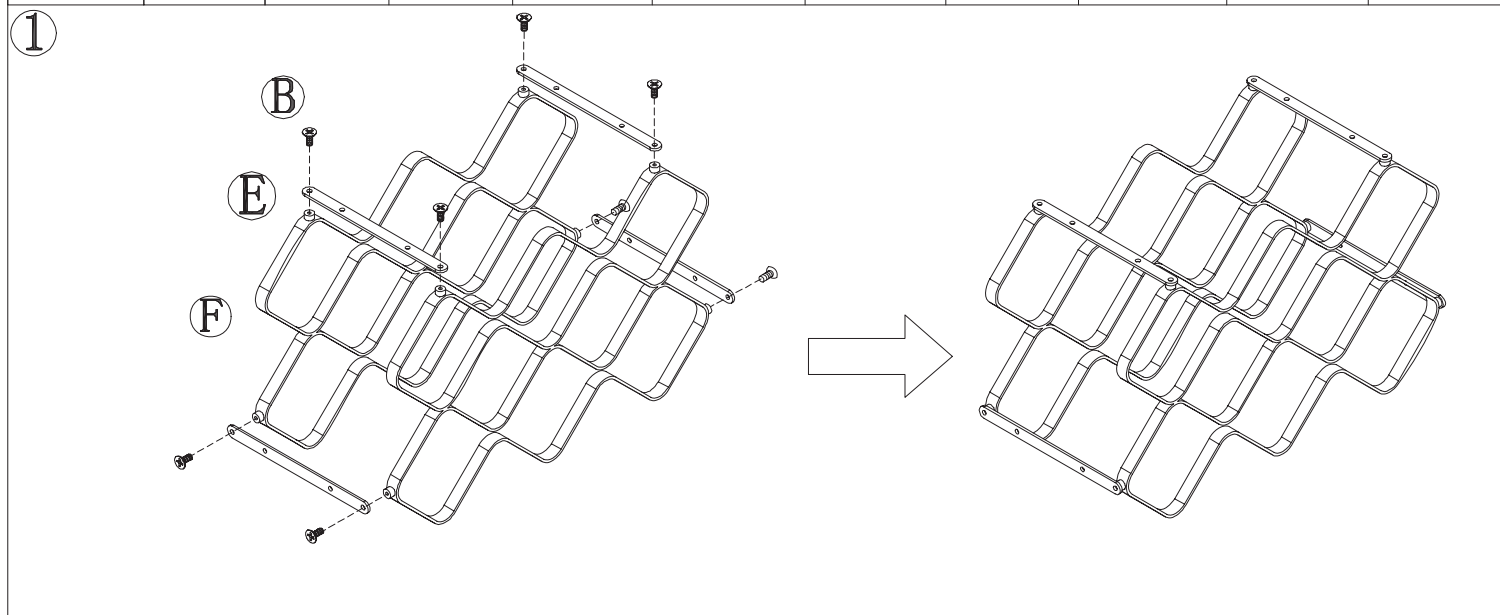
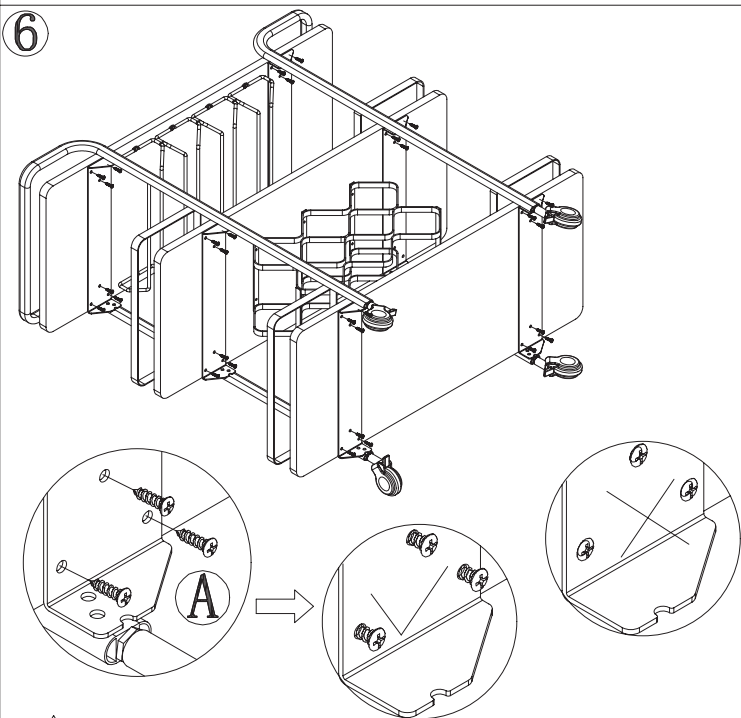
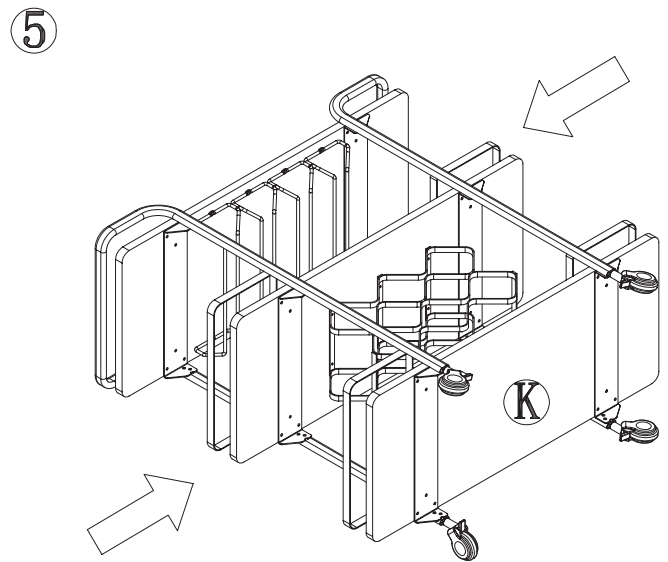
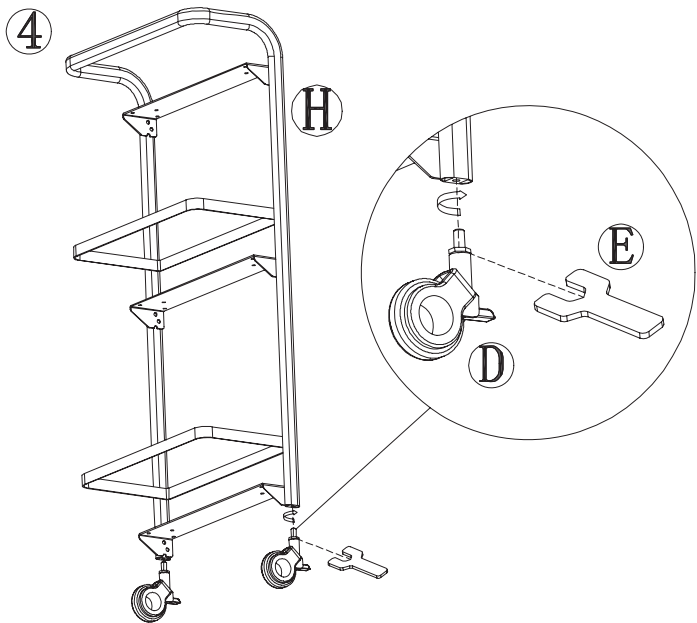


Installation instructions

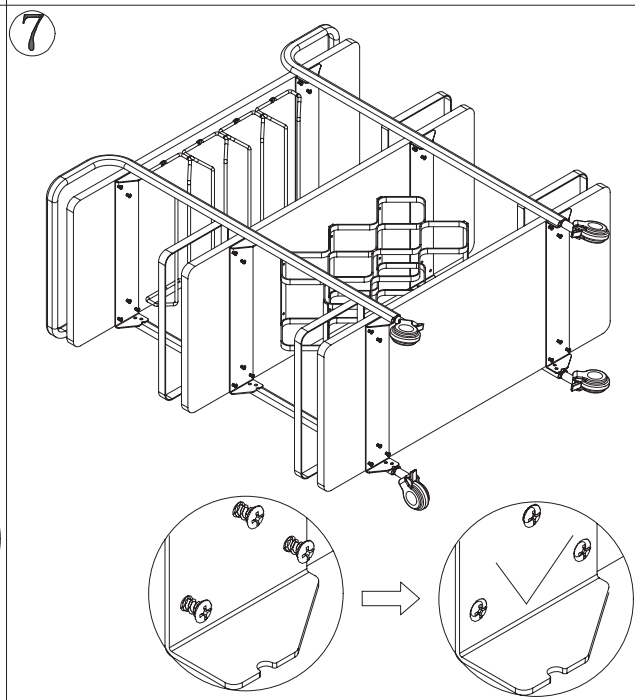
Instructions d' installation

 ST3. 9*16	 M4*6									
Ⓐ x48	Ⓑ x8	Ⓒ x4	Ⓓ x1	Ⓔ x 4	Ⓕ x 2	Ⓖ x4	Ⓗ x 2	Ⓘ x1	Ⓙ x1	Ⓚ x1





⚠ placez et tournez un peu toutes les vis mais pas trop serrées
 ⚠ Position and twist all the screws a little but not to tight.



⚠ serrez les vis progressivement
 ⚠ Tighten the screws gradually

