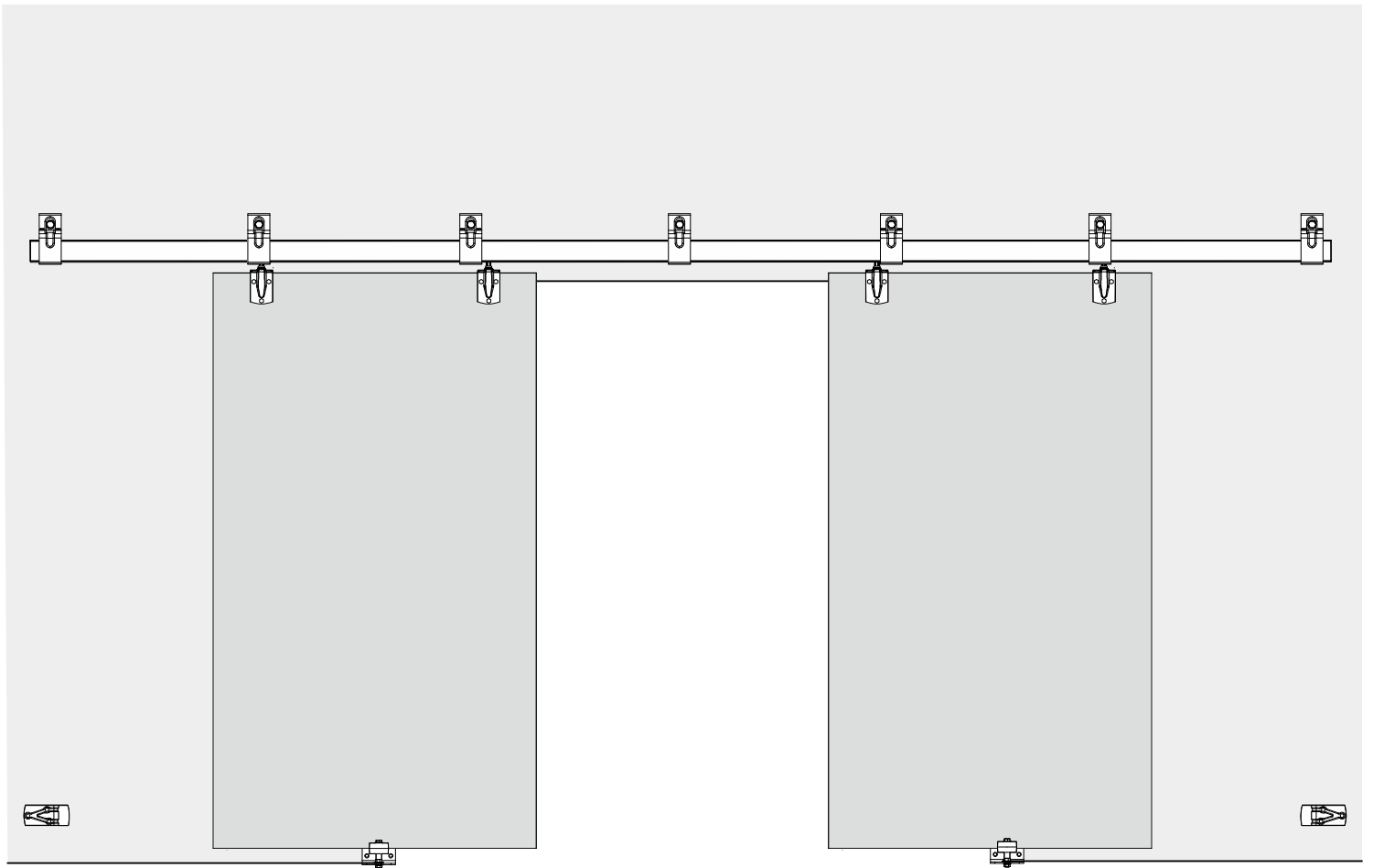
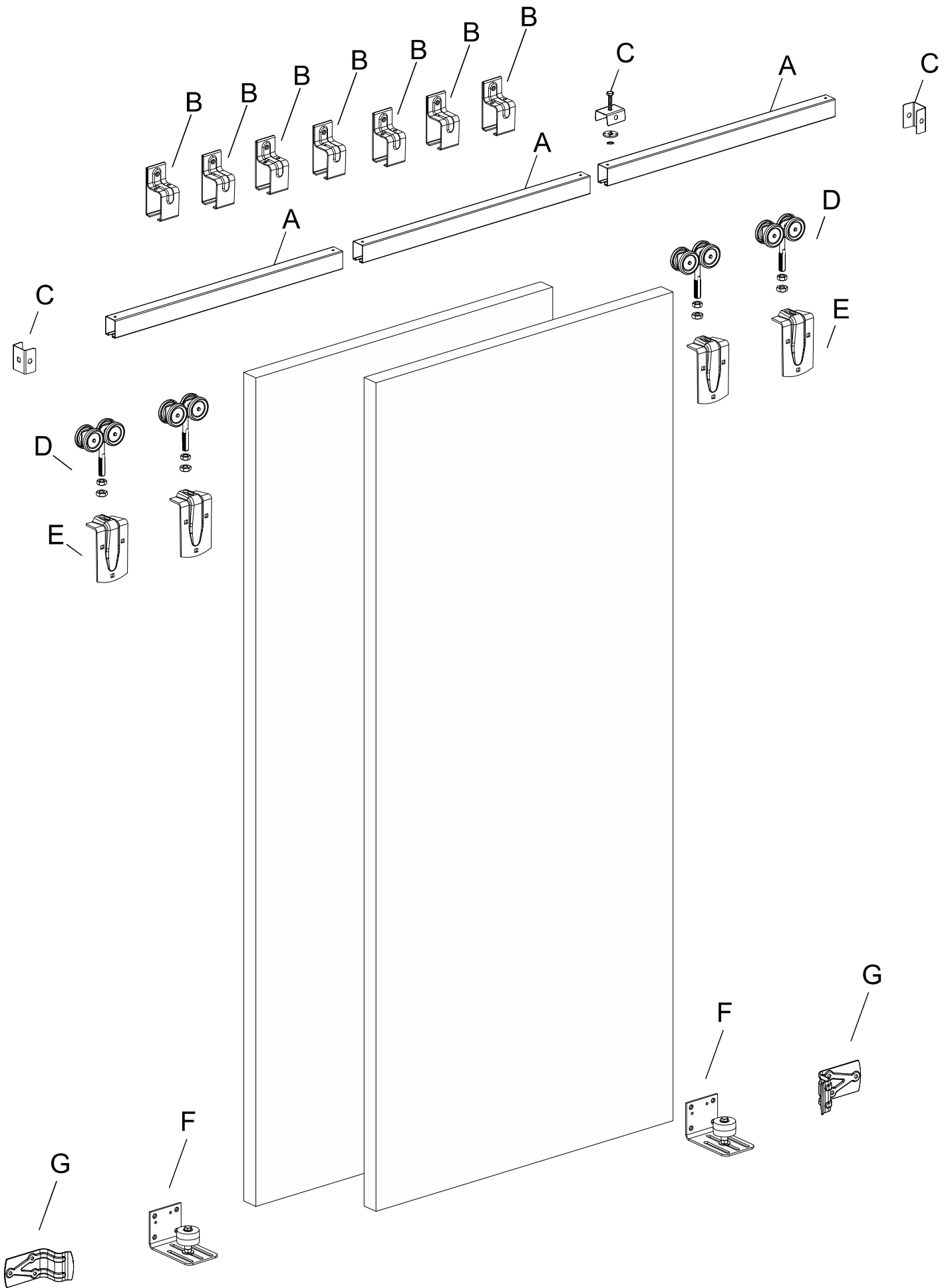


Installation Manual

TSQAL11-12FT-2D

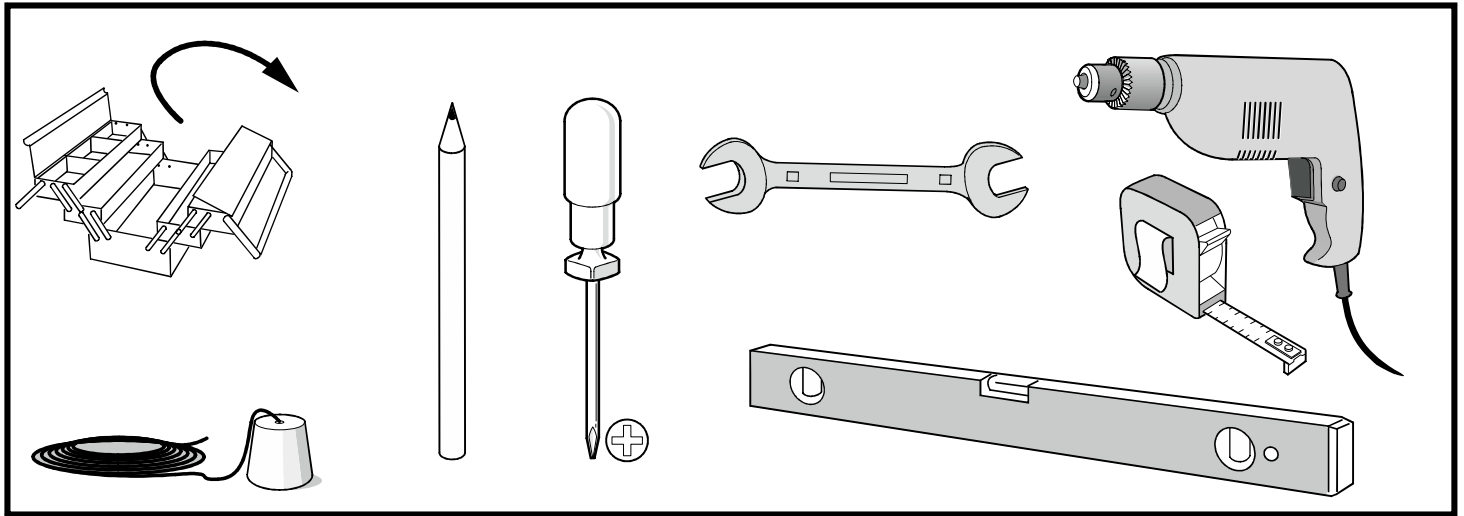


Components list

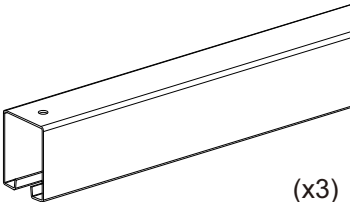
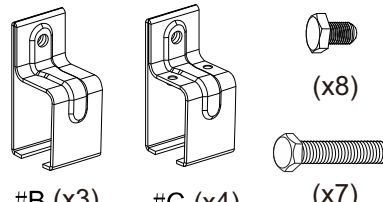
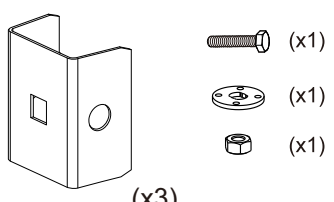
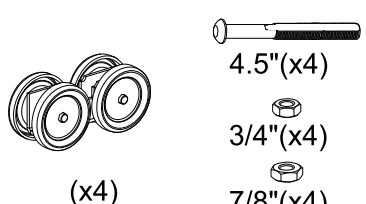
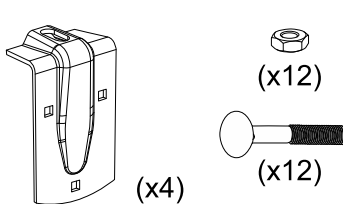
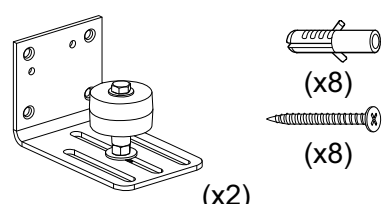
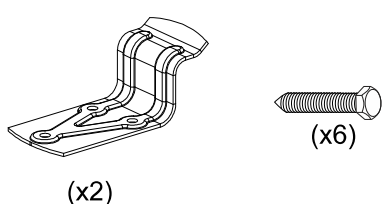


Pre-installation

TOOLS REQUIRED

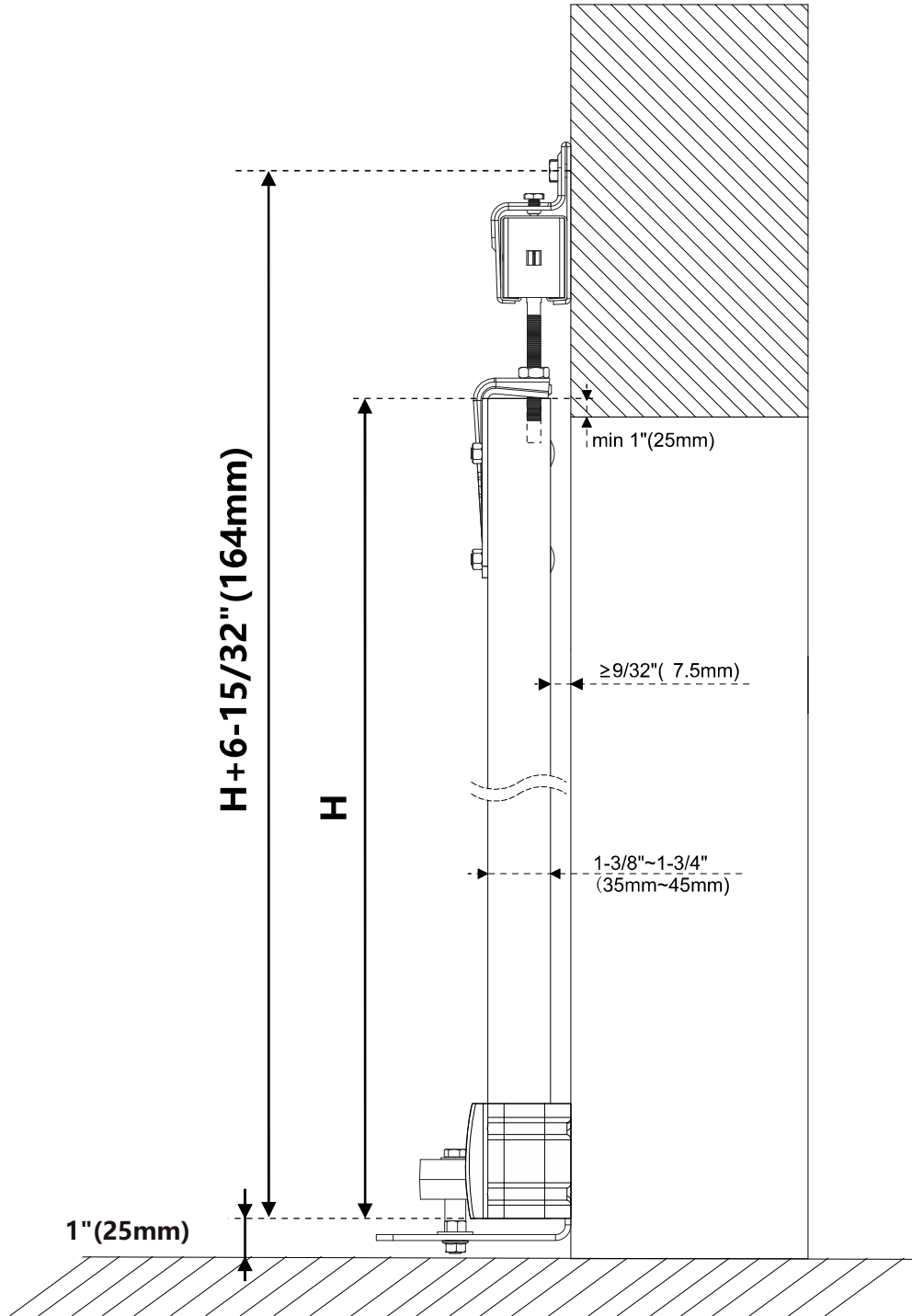


HARDWARE INCLUDED

<p>A</p>  <p>(x3)</p>	<p>B</p>  <p>#B (x3) #C (x4) (x8) (x7)</p>	<p>C</p>  <p>(x3) (x1) (x1) (x1)</p>
<p>D</p>  <p>(x4) 4.5"(x4) 3/4"(x4) 7/8"(x4)</p>	<p>E</p>  <p>(x4) (x12) (x12)</p>	<p>F</p>  <p>(x2) (x8) (x8)</p>
<p>G</p>  <p>(x2) (x6)</p>		

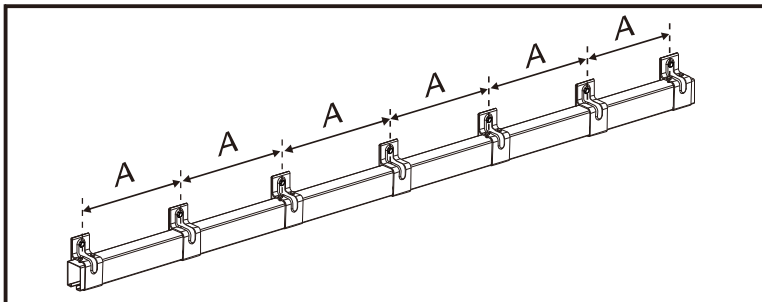
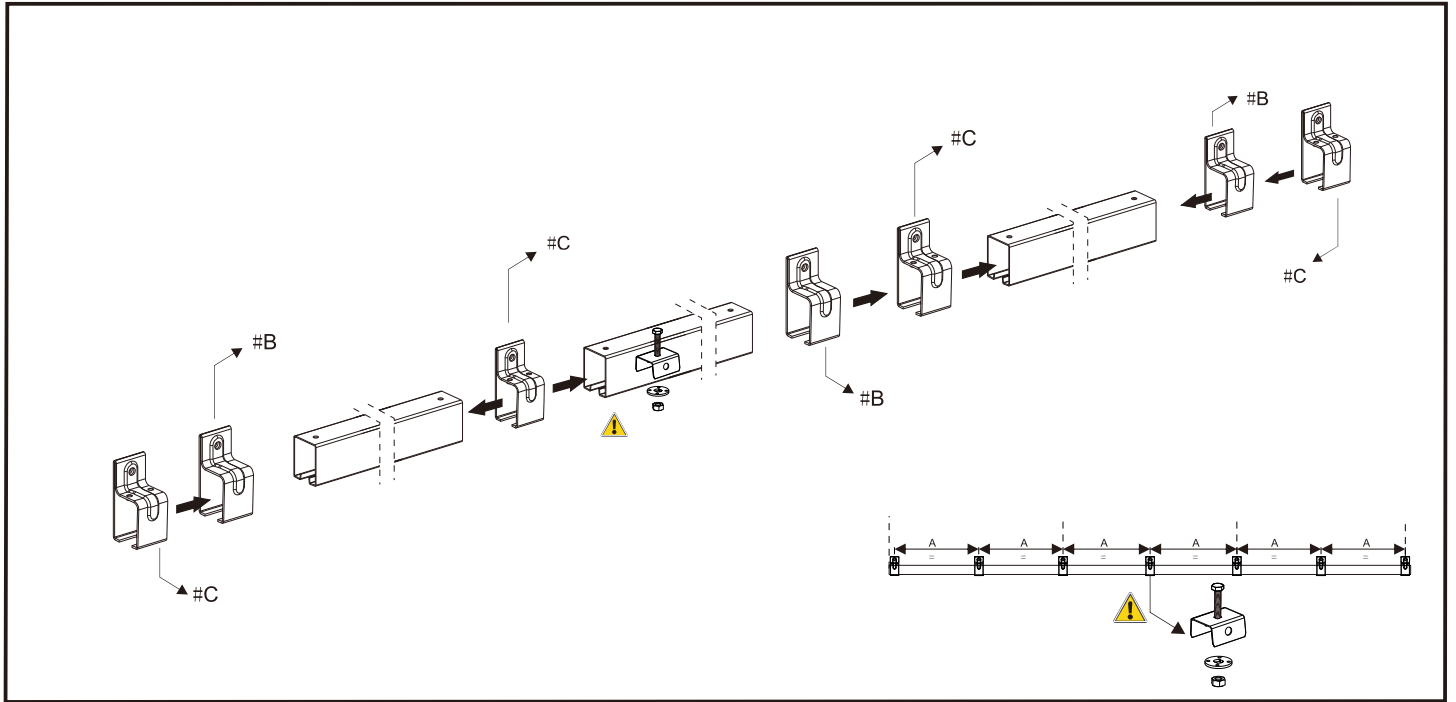
To provide feedback on a particular part, please mark it by circling in the instruction manual and kindly send us a photo.

Section drawing



The stopper is installed in the centered of the total length of the track, and you will encounter two possibilities:

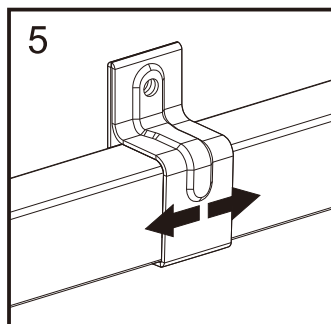
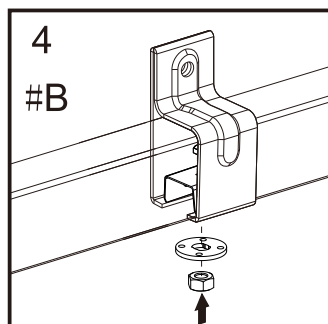
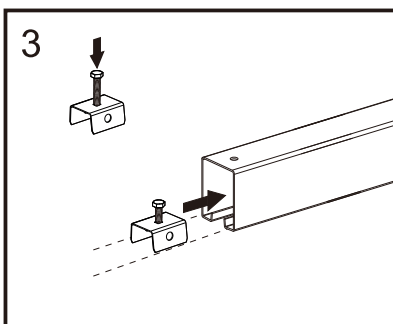
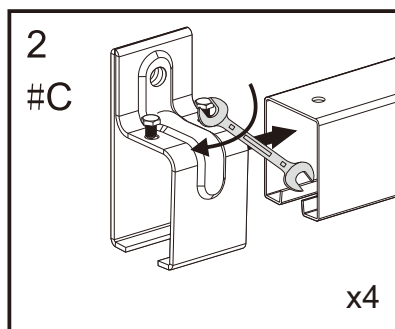
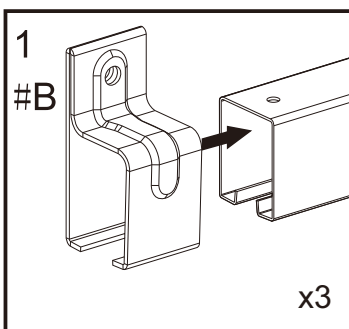
If you need both doors to slide from one side of the track to the other, please skip this installation step and do not install the stopper in the middle of the track.

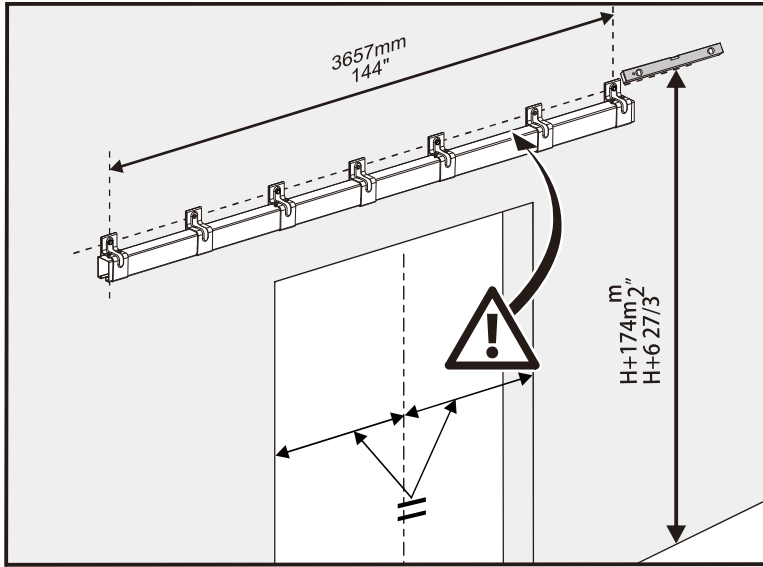


STEP 1

Slide Brackets #B and #C onto Box Rail and loosely position into place so that weight is evenly distributed.

NOTE: Brackets #C should be located at the edge of rail.

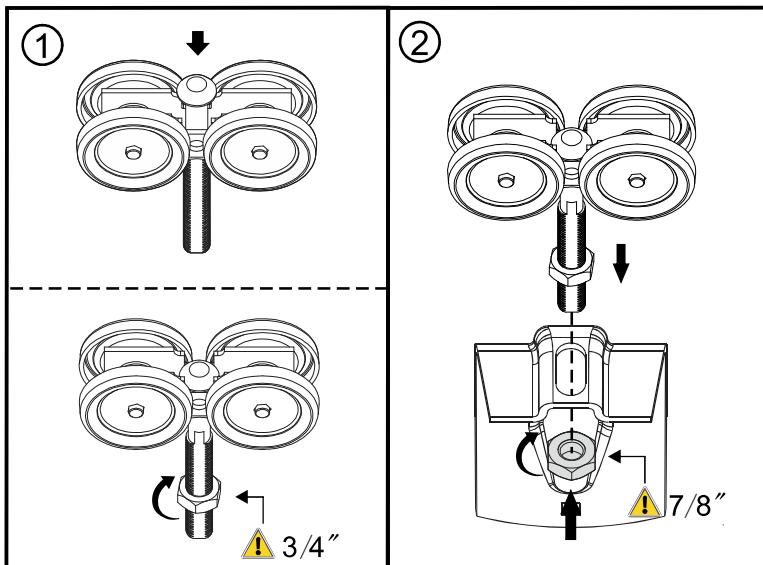
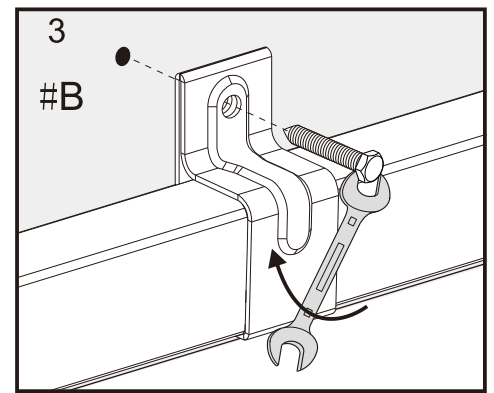
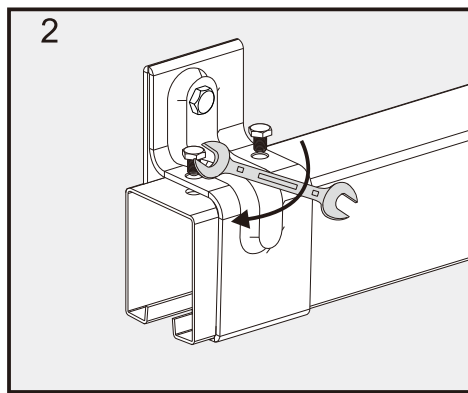
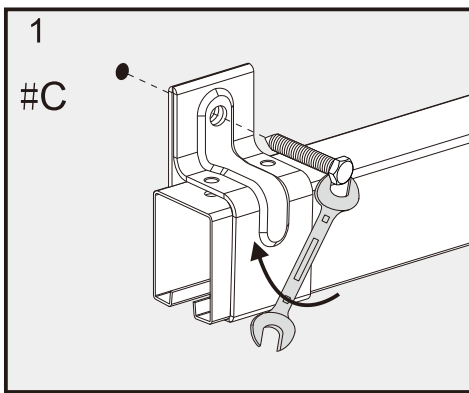




STEP 2

1. Mark screw hole locations.
2. Position Brackets into marked place and fasten into studs with #5/16 in diameter lag screws.

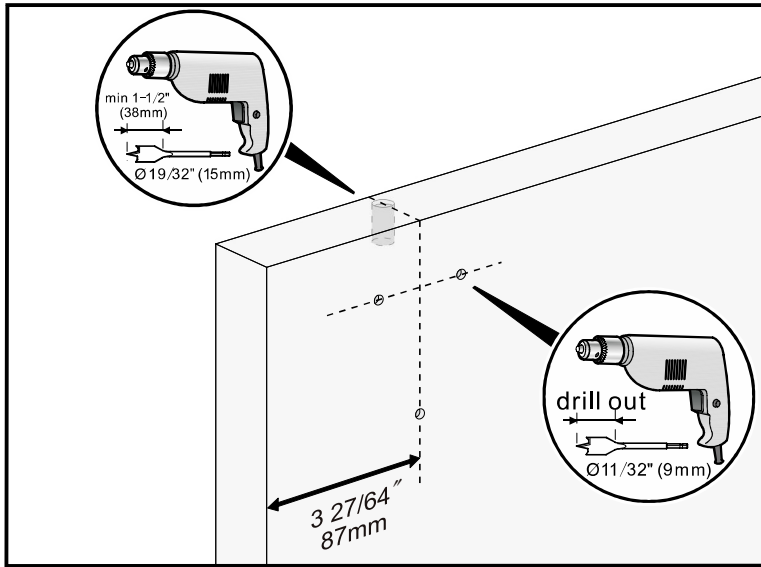
NOTE: Be sure to align markings in a level before drilling. One bracket should be installed every 2 feet (610mm) of rail.



STEP 3

Assemble Hanger and Strap.

1. Slide Connector Bolt through center hole of hanger, attach #3/4 in Hex Nut and tighten.
2. Insert Door Strap and secure into place with #7/8 in Hex Nut.
3. Repeat for another Hanger.



STEP 4

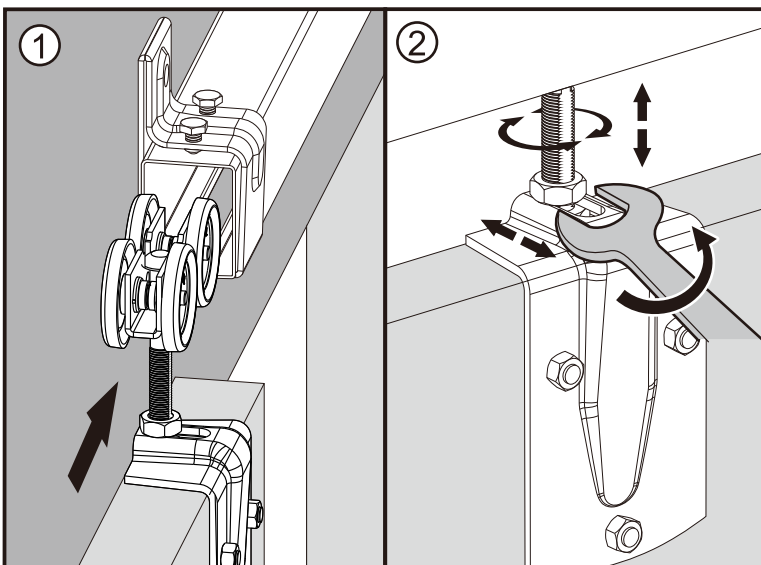
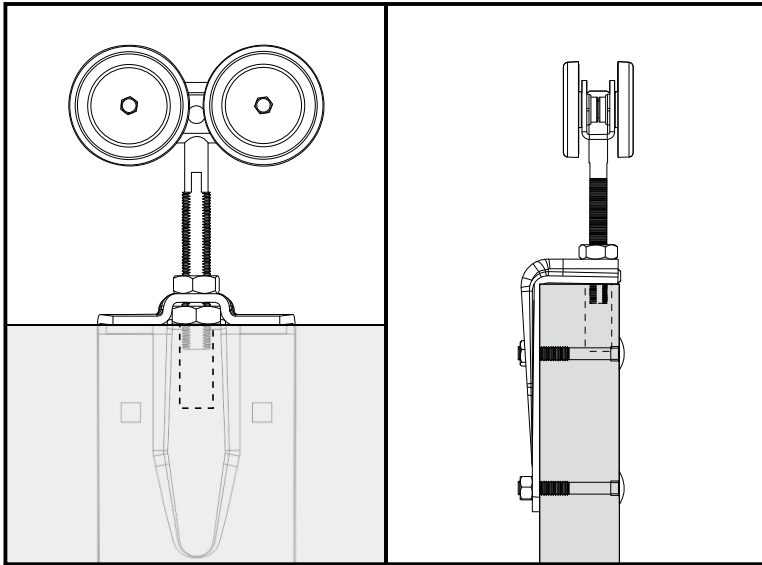
1. Place assembled hangers on door and position to distribute door weight evenly, minimum $3 \frac{27}{64}$ in (87mm) from edge of door.

2. Drill $19/32$ in (15mm) hole at top of barn door for $1/2 \times 4 \frac{1}{2}$ in Connector Bolt, insert excess threading into drilled hole and have it flush against top of door.

3. Use Strap as template, mark and drill holes for #5/16 screw bolts. Use $5/16 \times 2 \frac{1}{4}$ in screw bolts and 5/16 in HexNut to secure barn door to Door Straps.

NOTE: Door straps mount on outside of barn door and bolt heads must be on inside of door.

It is recommend to use no more than two hangers per door.

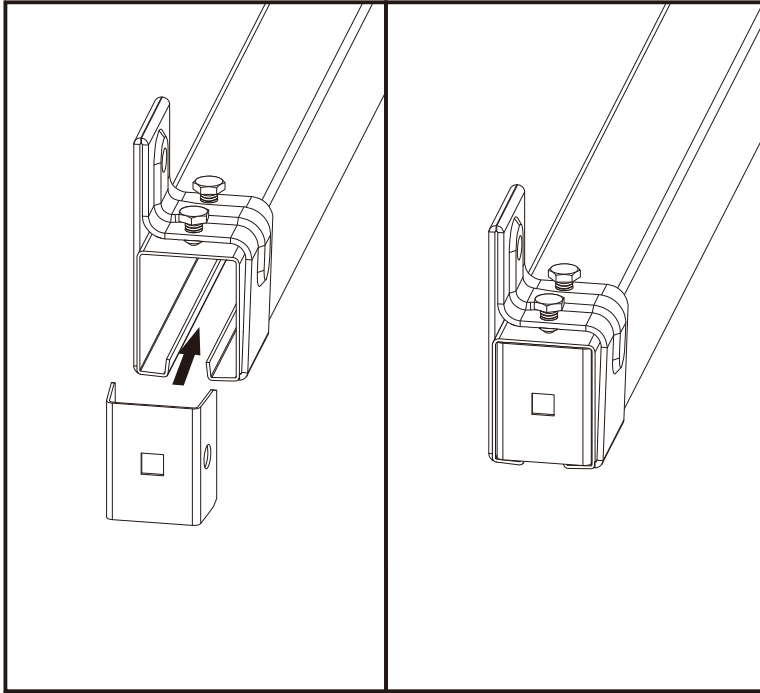


STEP 5

1. Slide Hangers into Box Rail.

2. Adjustments. Vertical adjustments are made by turning the Hex Nut on the top of Door Strap with a wrench.

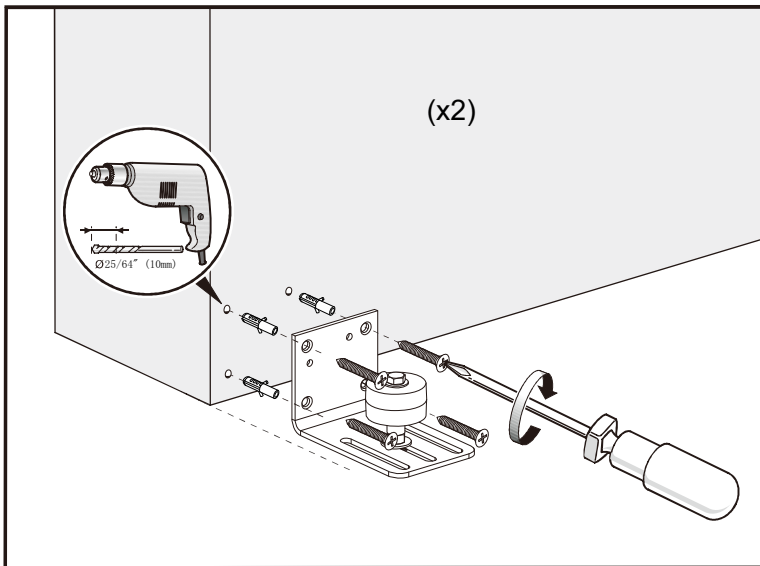
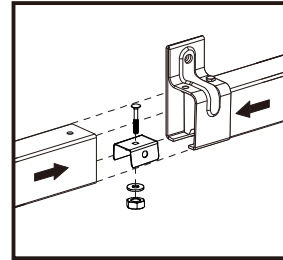
Lateral adjustments are made with slot in Door Strap.



STEP 6

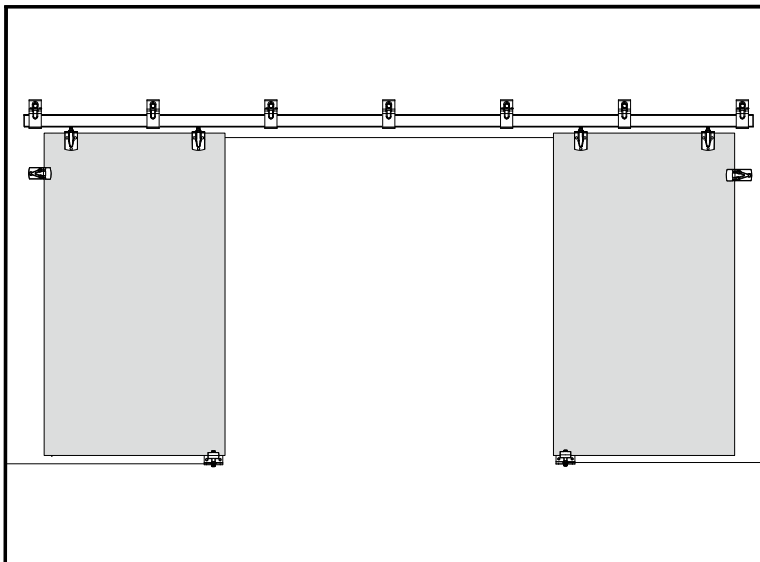
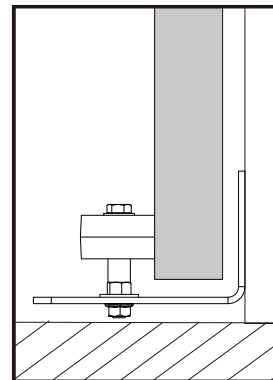
After door is hung, insert both End Caps into end of Box Rail for single rail application.

End Caps can also be used as center stops with 3/8 in x 2 in carriage bolts (not included) for multiple rail application.



STEP 7

Install floor guide.



STEP 8

Install Door Bumper

Remark: The door bumper can be installed either above or below.

