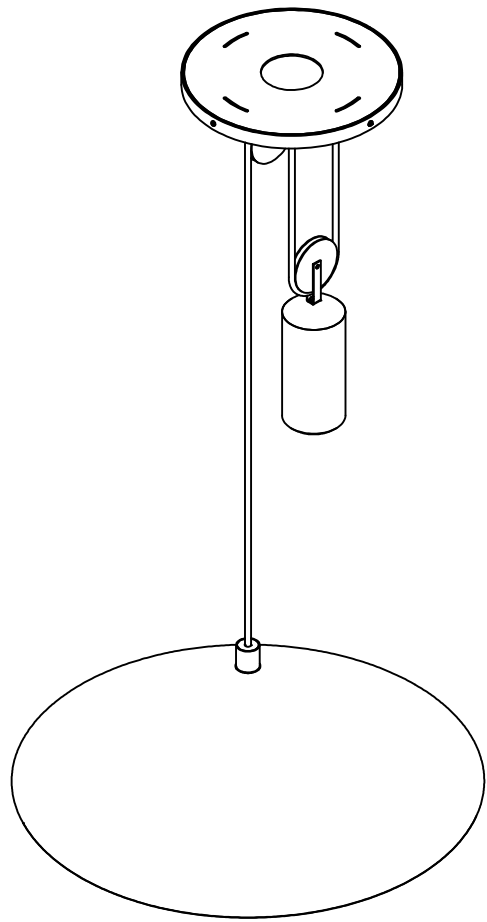


# ASSEMBLY & INSTALLATION INSTRUCTION FOR MODEL: EMERIC PENDANT

**⚠ WARNING**

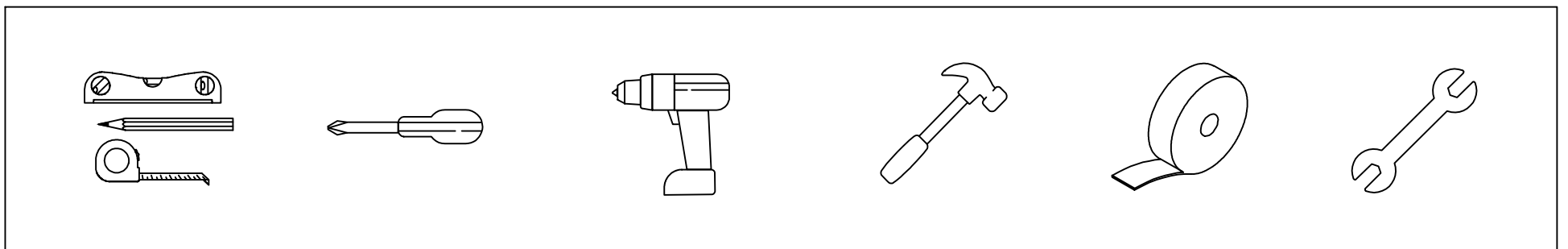
Applicable to concrete ceilings, not suitable for gypsum ceilings



**3D VIEW**

ACCESSORIES LIST			
No.	Name	Image	Qty
1	LAMP BODY		1
2	PLASTIC ANCHOR (Applicable to concrete ceilings, not suitable for gypsum ceilings)		4
3	SCREW M5x30MM		4
4	PLASTIC WIRE JOINT		3

## REQUIRED TOOL (NOT INCLUDED)



**ⓘ Attention**

Read these instructions carefully and keep for future reference. Refer to parts inventory for guidance, and ensure you have all pieces before starting.

When assembling, place all parts on a soft, clean, and flat surface such as a carpet to prevent scratches.

**⚠ WARNING**

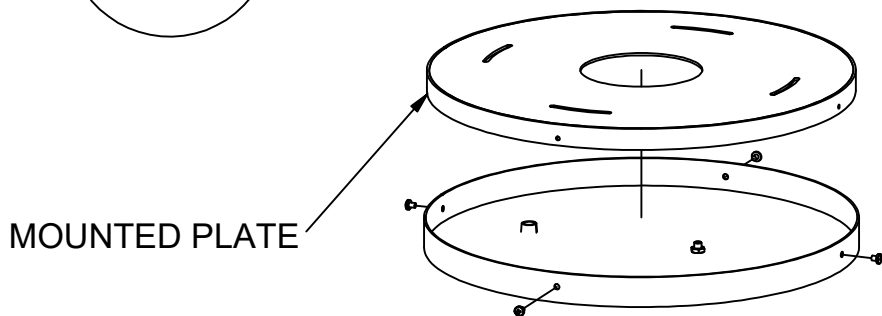
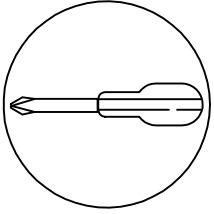
All wires are connected. When unpacking, be careful not to pull wires, as a bad connection may result. Do not connect electricity until your fixture is fully assembled. To reduce the risk of fire, electrical shock, or personal injury, always turn off fixture and allow it to cool prior to replacing the lightbulb. Do not touch or look directly at the bulb when fixture is illuminated. Keep flammable materials away from lit bulb.

THIS PRODUCT IS NOT A TOY AND HAS NO PLAY VALUE.

# ASSEMBLY & INSTALLATION INSTRUCTION FOR MODEL: EMERIC PENDANT

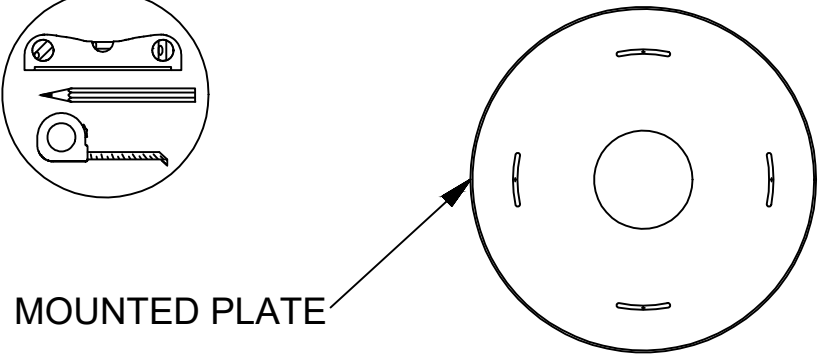
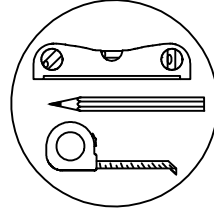
**1** Open mounted plate

**TOOLING**



**2** Use a mounted plate to mark where you'll drill holes on the ceiling.

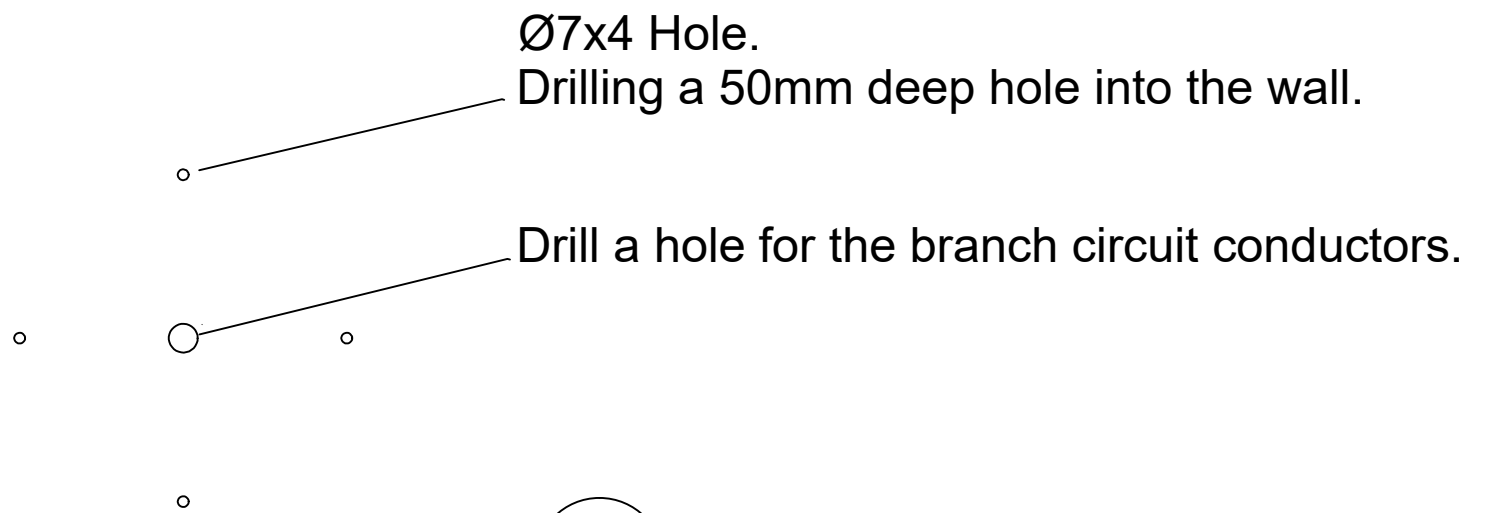
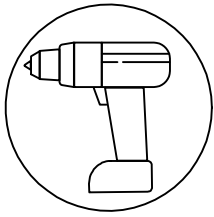
**TOOLING**



**!** Caution: Do not drill holes for plastic anchors in the same location as the in-wall electrical channel.

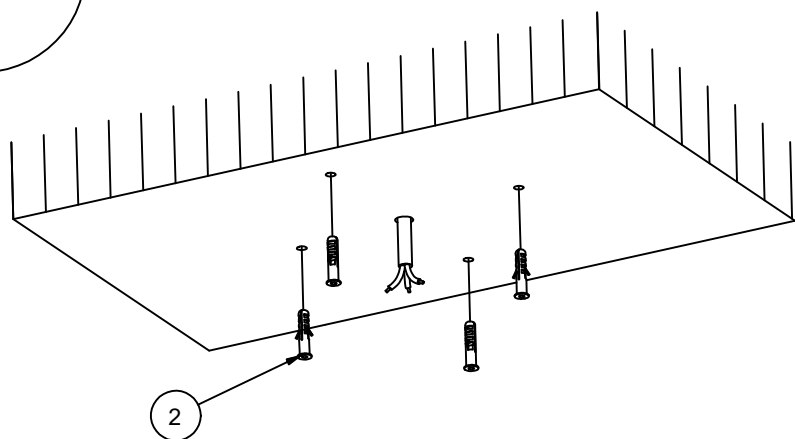
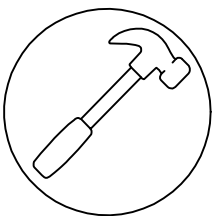
**3** Selecting the correct drill bit and using a drill to bore holes at the marked locations to the specified depth as illustrated.

**TOOLING**



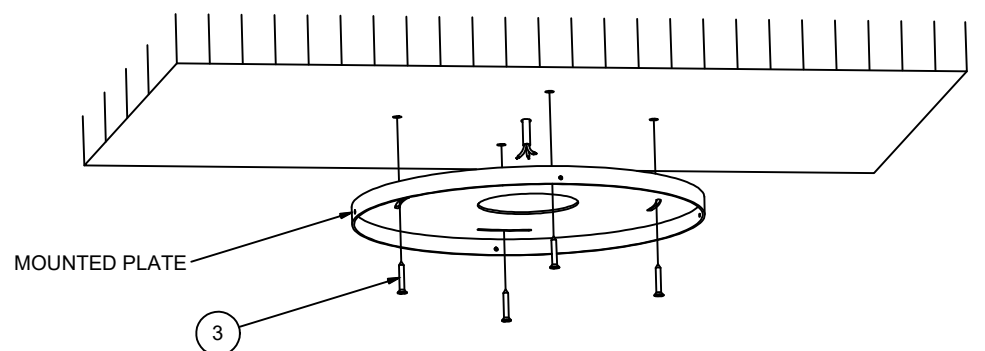
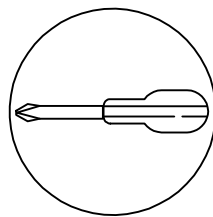
**4** Mount plastic anchor(2) into the hole on the ceiling

**TOOLING**



**5** Mount the mounted plate to the ceiling by using screw M5x30mm(3) and screw it to plastic anchor in the last step

**TOOLING**



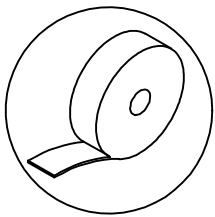
# ASSEMBLY & INSTALLATION INSTRUCTION FOR MODEL: EMERIC PENDANT

6

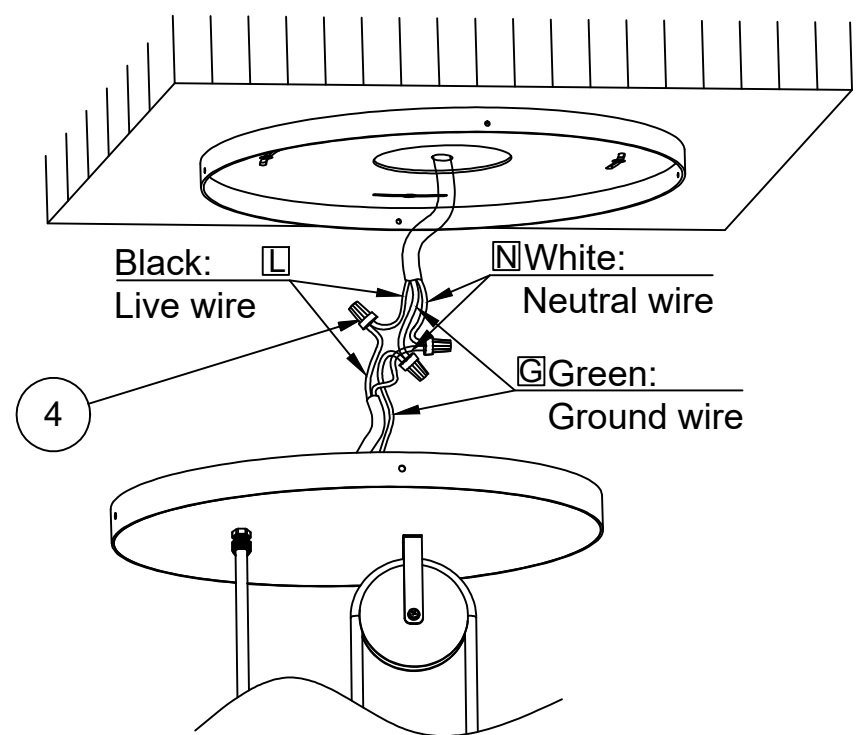
Connected the wire lamp with main electrical by using plastic wire joint(4). Carefully inspect the fixture wires

- Wrap the ground wire of the lamp fixture around the ground screw on the mounting plate and secure the screw. Attach the remaining ground wire from the fixture to the junction box ground wire with a wire nut, and wrap the connection with electrical tape.
- Attach the neutral fixture wire from the fixture to the neutral junction box wire (usually white). Fasten each together with a wire nut and wrap the connection with electrical tape.
- Attach the hot fixture wire from the fixture to the hot junction box wire (usually black). Fasten each together with a wire nut and wrap the connection with electrical tape.

## TOOLING



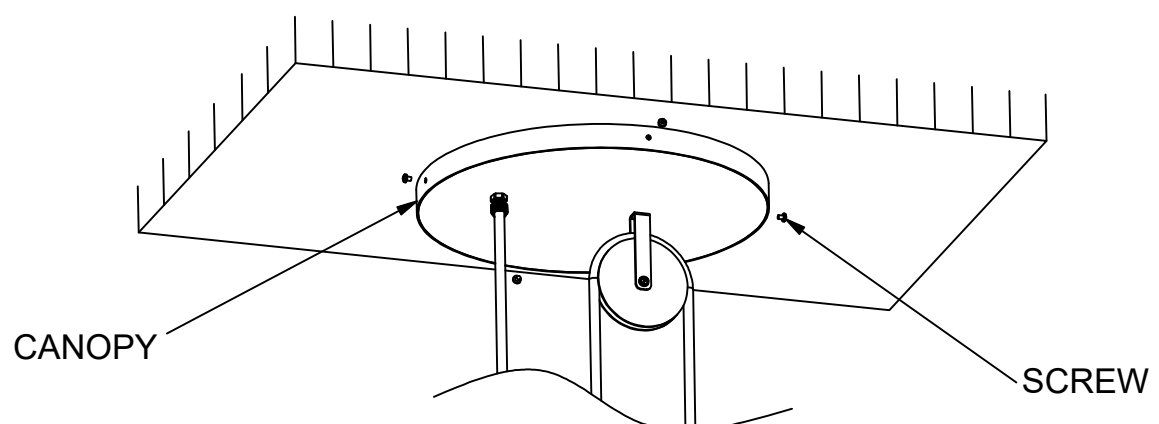
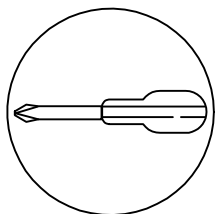
! Caution: Turn off main power before wiring.



7

Install canopy into mounted plate lock by 4 screw

## TOOLING



# ASSEMBLY & INSTALLATION INSTRUCTION FOR MODEL: EMERIC PENDANT

8

Adjust the max/min cable length by opening PG7

Adjust the lamp's height by moving the counterweight up or down

