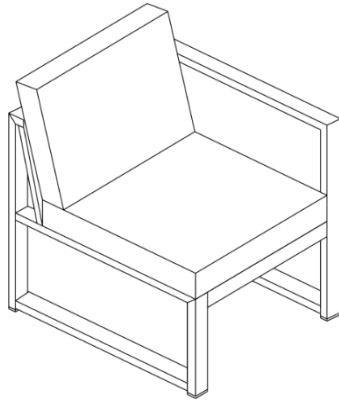



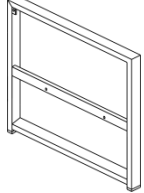
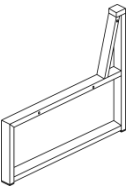
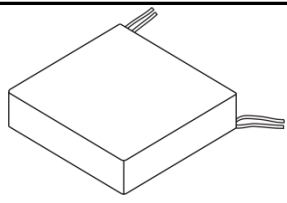
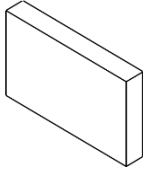
Assembly Instructions

Caution : You must read this before you proceed

Right Armchair



Parts List

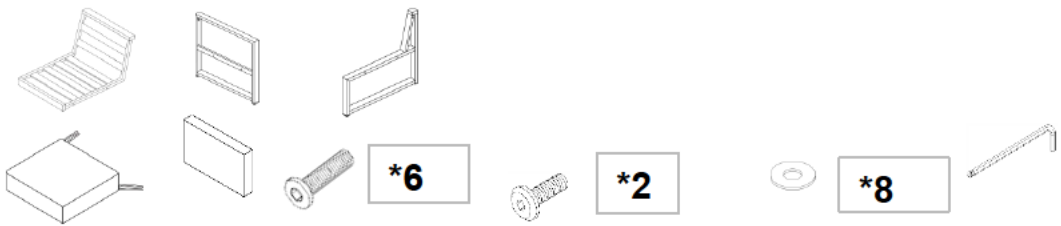
Label	Picture	Description	QTY
A1		Seat	1
B1		Right Armrest/Leg(with Pre-installed Leveler)	1
C1		Left Leg(with Pre-installed Leveler)	1
D		Seat Cushion	1
E		Back Cushion	1

Hardware

Label	Picture	Description	QTY
①		Bolt (M6*40MM)	6
②		Bolt (M6*32MM)	2
③		Washer	8
④		Allen Key	1

Assembly Preparation

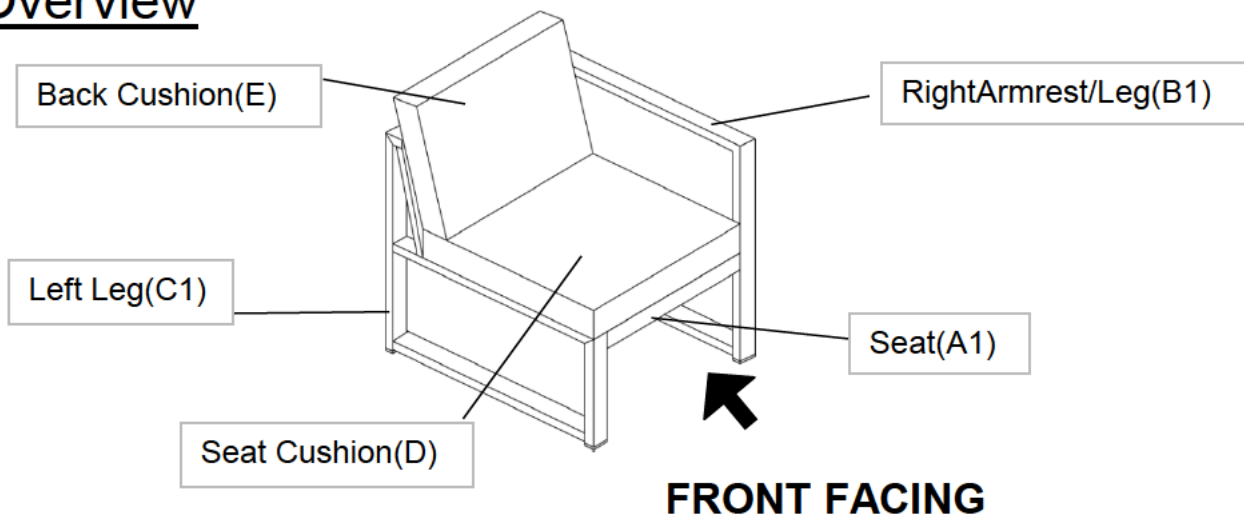
Before
Beginnin
g
Assembly
:



- Read instructions, cover to cover-
- Have 2 adults on hand for assembly-
- Do not assemble on flooring or carpet-
- Assemble on a clean non-marring surface (packing foam)-
- Save all packaging until finished-

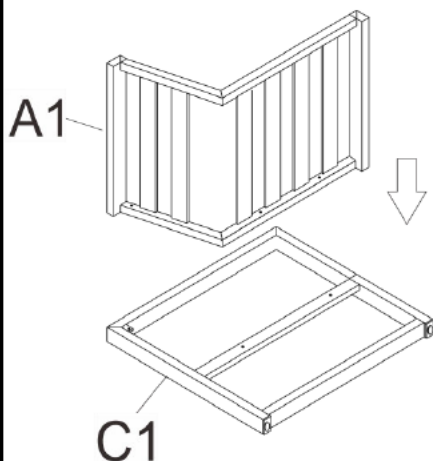
Assembly Steps

Overview

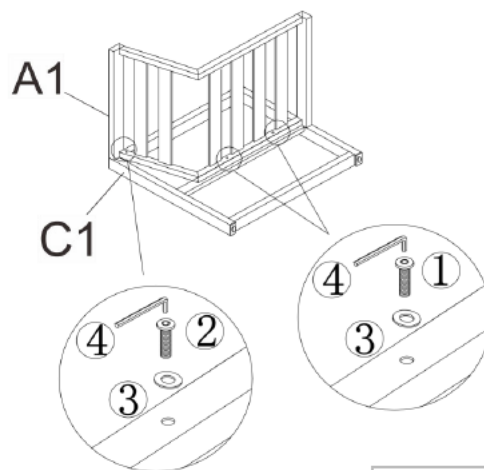


This Right Armchair has multiple parts and may require up to 30 minutes to assemble. To give you an overview of the Right Armchair parts, the above picture is to help you put the various parts into perspective. Please read through the instructions below to familiarise yourself with the parts and steps before assembly.

Step 1



Step 1.1



Step 1.2

Open the carton and place all the parts onto a clean, non-marring surface.

Place the Right Armrest/Leg(C1) facedown.

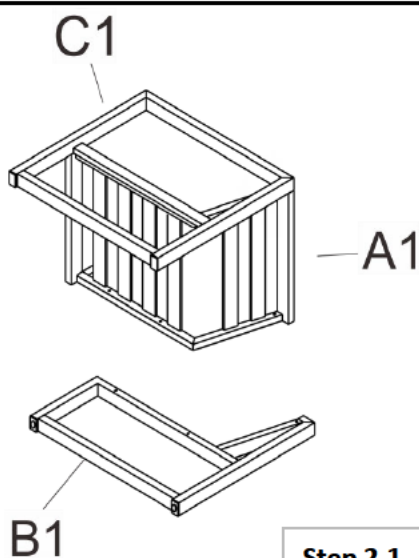
1.1) Align Seat(A1) to Right Armrest/Leg(C1) as shown above.

1.2) Attach Seat(A1) to Right Armrest/Leg(C1) using Bolts(1), and Washers(3) with Allen Key(4) as shown above.

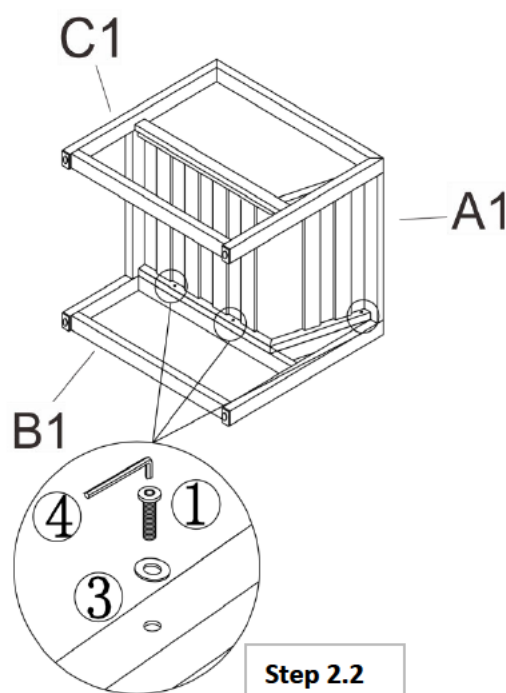
Attach Seat(A1) to Right Armrest/Leg(C1) using Bolt(2), and Washer(3) with Allen Key(4) as shown above.

Tighten the Bolts fully in a sequential manner.

Step 2



Step 2.1



Step 2.2

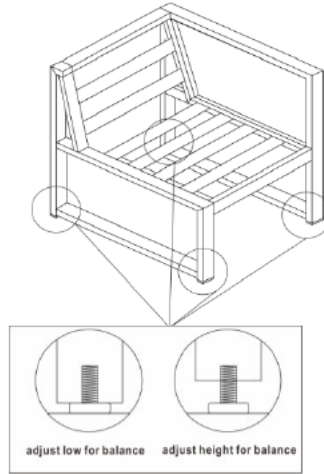
2.1) Align Seat(A1) to Left Leg(B1) as shown above.

2.2) Attach Seat(A1) to Left Leg(B1) using Bolts(1)and Washers(3) with Allen Key(4) as shown above.

Attach Seat(A1) to Left Leg(B1) using Bolt(2) and Washer(3) with Allen Key(4) as shown above

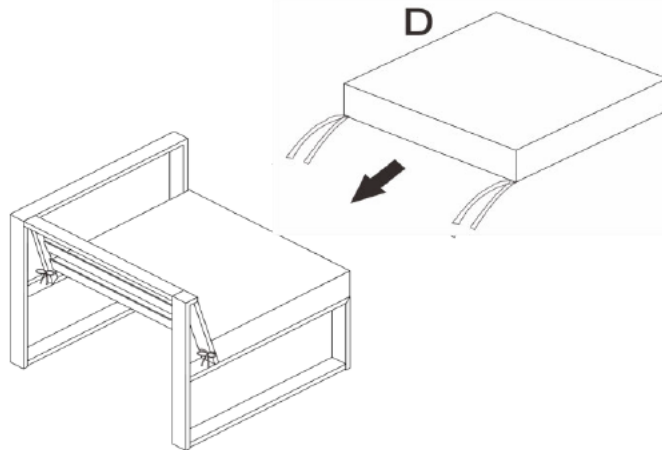
Tighten the Bolts fully in a sequential manner.

Step 3



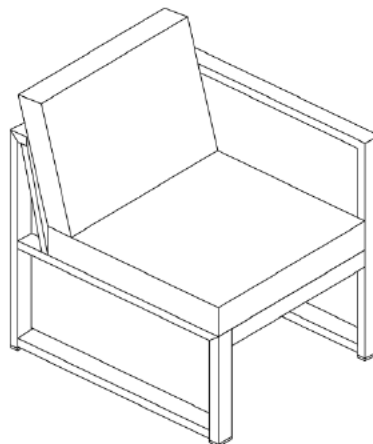
Then, with the assistance from an adult partner, stand the Chair upright.
Adjust the Pre-installed Levellers until the Chair is level with the ground.
To adjust the Levellers, with assistance from an adult partner, tilt the Chair to rest on two feet.
Adjust the levellers to the desired height until the Chair is level.

Step 4























Place the Seat Cushion(D) on the Seat(A1).
Tie the rope to the Seat(A1).

Step 5



Place the Back Cushion(E) on the Right Armchair.
Your Right Armchair is ready for use.
This Right Armchair can only be used on a flat, level surface.

Care & Maintenance

-   ● Do not put hot items directly on furniture surface
 -   ● Do not clean furniture with harsh cleansers or polish.
 -   ● To obtain the longest lifespan of your outdoor products, minimizing exposure to direct sunlight is recommended.
 -   ● Children should not climb or jump on the furniture.
 -   ● Do not write on furniture without a padded barrier to protect the surface.
 -   ● To obtain the longest lifespan of your outdoor products, avoid extended and lengthy exposure to rain, snow, and direct sunshine. Whenever possible cover the product and /or place under patio or awnings.
 -   ● Not for commercial use. For residential use only .
 -   ● Stains may be removed with mild soap solution and damp cloth.
 -   ● Keep away from sources of ignition.
-
-   ● Dust and pick-up spills using a clean, non-colored, lint-free cloth.