

Pure & Easy

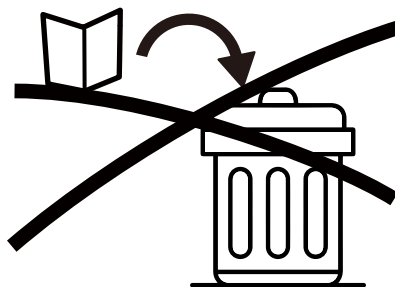
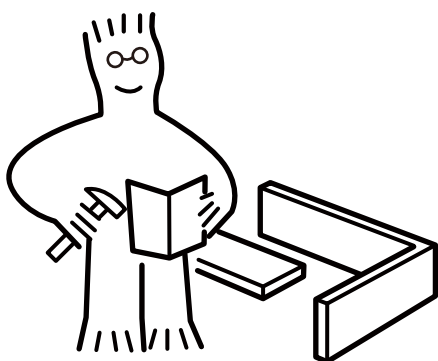


ASSEMBLY INSTRUCTIONS

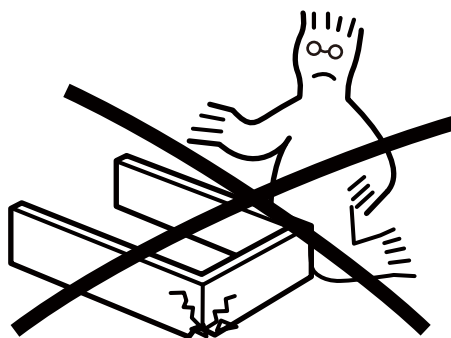
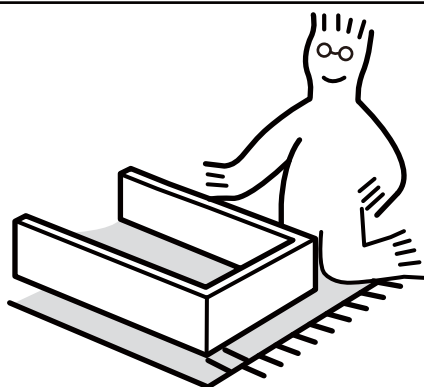


NOTICE

IMPORTANT, RETAIN FOR FUTURE REFERENCE: READ CAREFULLY
WICHTIG, FÜR SPÄTERE NACHSCHLAGE AUFBEWAHREN: SORGFÄLTIG LESEN
IMPORTANTE, GUARDAR PARA REFERENCIA POSTERIOR: LEER ATENTAMENTE
IMPORTANTE, CONSERVARE PER RIFERIMENTI FUTURI: LEGGERE ATTENTAMENTE
IMPORTANT, À CONSERVER POUR RÉFÉRENCE FUTURE : LIRE ATTENTIVEMENT



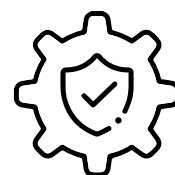
Assemble on a flat, clean and soft surface.
Auf einer flachen, sauberen und weichen Oberfläche zusammenbauen.
Assembler sur une surface plate, propre et douce.
Assemblare su una superficie piatta, pulita e morbida.
Ensamblar sobre una superficie plana, limpia y suave.



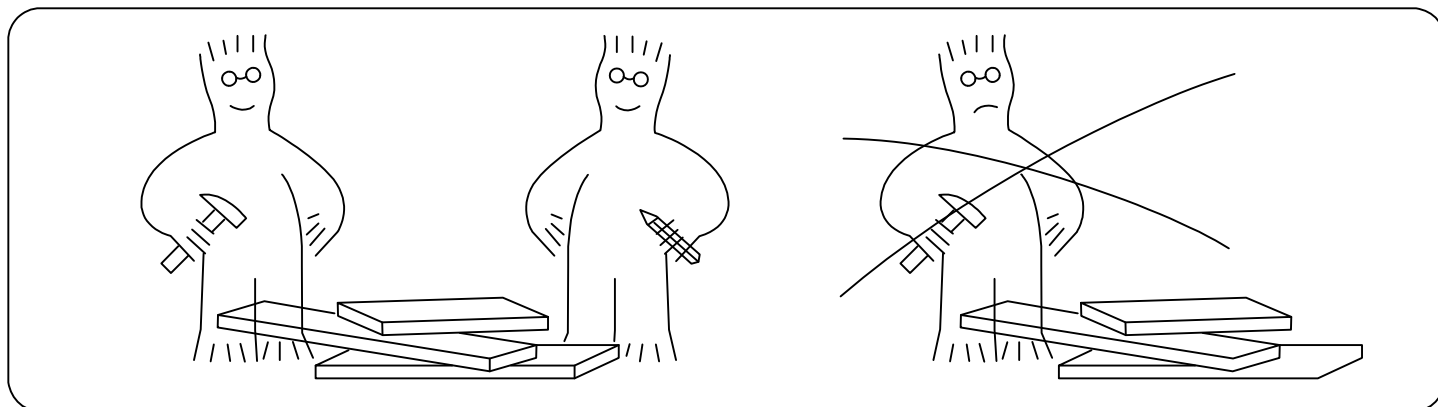
Professional installation is highly recommended.
Eine professionelle Installation wird dringend empfohlen.
Une installation professionnelle est fortement recommandée.
Si raccomanda vivamente l'installazione professionale.
Se recomienda altamente la instalación profesional.



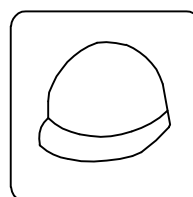
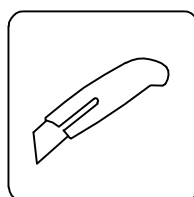
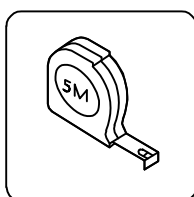
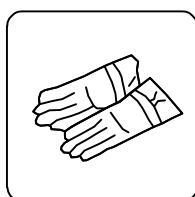
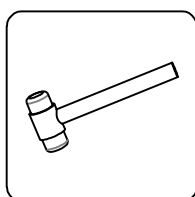
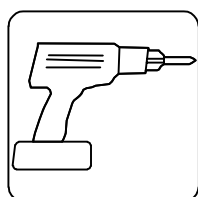
Periodically Check That All Components Are Tightly Secured.
Überprüfen Sie Regelmäßig, Dass Alle Komponenten Fest Gesichert Sind.
Vérifiez Périodiquement Que Tous Les Composants Sont Bien Fixés.
Controllare Periodicamente Che Tutti I Componenti Siano Ben Fissati.
Verifique Periódicamente Que Todos Los Componentes Estén Bien Asegurados.



It is recommended that multiple people assemble this product.
Es wird empfohlen, dass mehrere Personen dieses Produkt zusammenbauen.
Il est recommandé que plusieurs personnes assemblent ce produit.
Si raccomanda che più persone assemblino questo prodotto.
Se recomienda que varias personas ensamblen este producto.



Please have the following auxiliary tools ready:





WARNING

Battery Safety Warning

- This product may or may not contain a button cell or coin battery depending on the model configuration.

INGESTION HAZARD

- Death or serious injury can occur if swallowed. A swallowed button or coin cell battery can cause **Internal Chemical Burns** in as little as **2 hours**.
- **KEEP** new and used batteries **OUT OF REACH of CHILDREN**.
- Seek immediate medical attention if a battery is suspected to have been swallowed or inserted inside any part of the body.

Battery Use and Handling

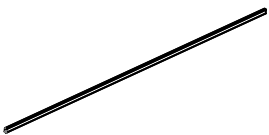


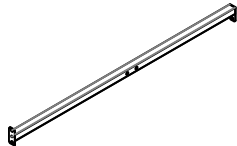
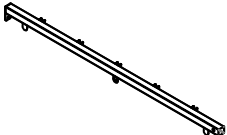
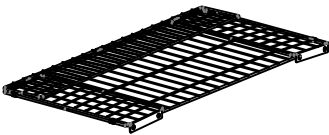
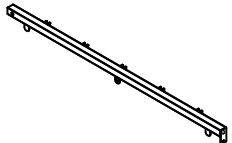


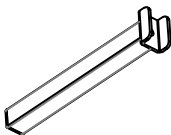


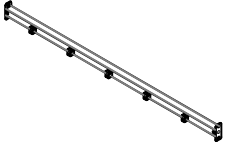
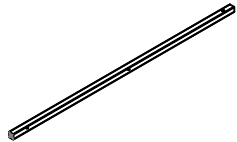

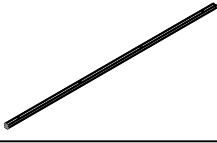
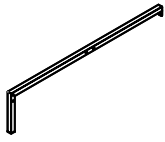

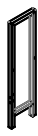
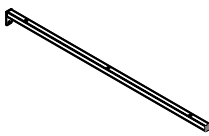
- Use only compatible battery types (e.g., LR44, CR2032) with the correct nominal voltage.
- Install batteries according to correct polarity (+/-).
- Do not mix old and new batteries, different brands, or different types (e.g., alkaline, carbon-zinc, or rechargeable).
- Remove batteries from devices not used for extended periods.
- Recycle or dispose of used batteries properly, following local regulations. Do NOT throw into household trash or incinerate.
- Do NOT recharge non-rechargeable batteries.
- Do NOT force discharge, disassemble, heat above the manufacturer's recommended temperature, or incinerate. This may cause leakage, explosion, or chemical burns.

Battery Compartment Safety


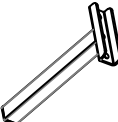
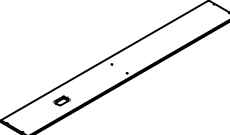
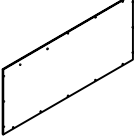



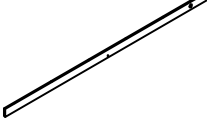
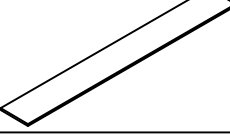

- Always ensure the battery compartment is completely secured.
- If the compartment does not close properly, stop using the product. Remove the batteries and keep them away from children.


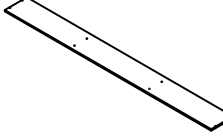
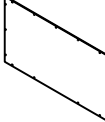
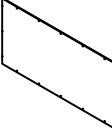
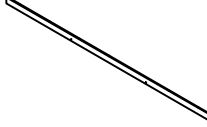
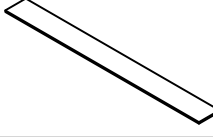
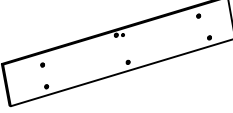
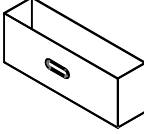


PARTS

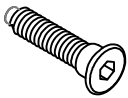

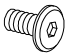

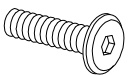
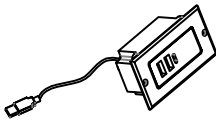
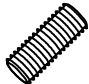
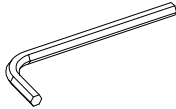
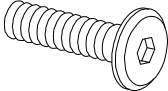

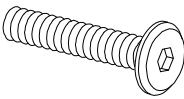
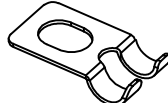
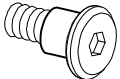
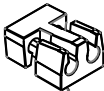
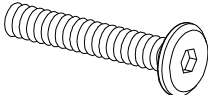
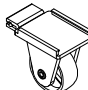
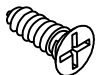
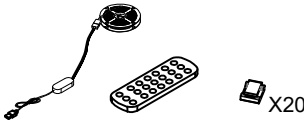

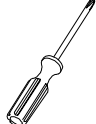
Item no. Nr. N ° d article Articolo No. Artículo No	Reference Image Referenzbild Image de référence Immagine di riferimento Imagen de referencia	Qty Menge Qté. Qtà Cant.	Item no. Nr. N ° d article Articolo No. Artículo No	Reference Image Referenzbild Image de référence Immagine di riferimento Imagen de referencia	Qty Menge Qté. Qtà Cant.
1		X10	11		X1
2		X1	12		X1
3		X1	13		X2
4		X1	14		X1
5		X1	15		X2
6		X1	16		X1
7		X2	17		X1
8		X2	18		X1
9		X1	19		X1
10		X1	20		X3

PARTS

Item no. Nr. N ° d article Articolo No. Artículo No	Reference Image Referenzbild Image de référence Immagine di riferimento Imagen de referencia	Qty Menge Qté. Qtà Cant.
21		X1
22		X1
23		X1
24		X2
25		X1
26		X3
27		X1
28		X1
29		X1
30		X1

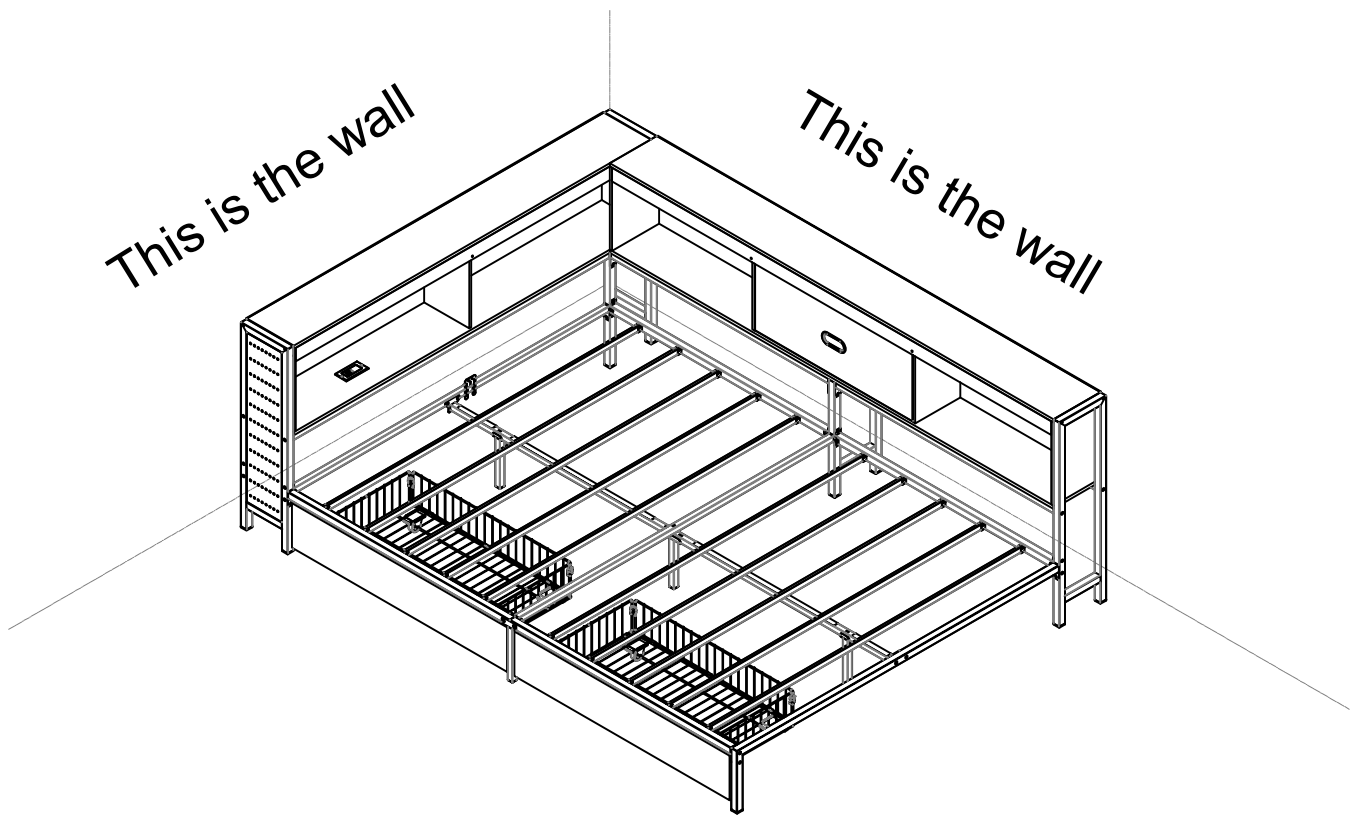
Item no. Nr. N ° d article Articolo No. Artículo No	Reference Image Referenzbild Image de référence Immagine di riferimento Imagen de referencia	Qty Menge Qté. Qtà Cant.
31		X1
32		X1
33		X2
34		X1
35		X1
36		X1
41		X2
43		X1

PARTS

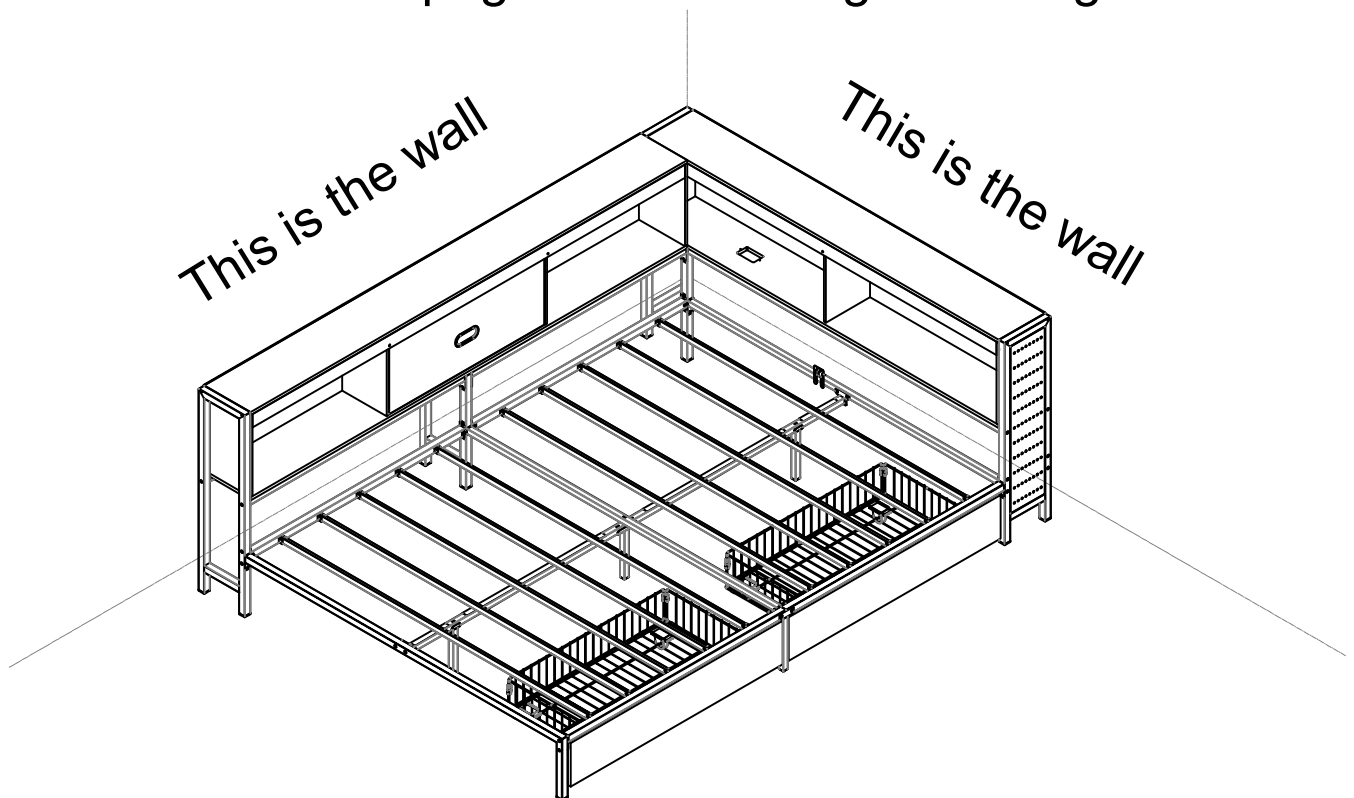
Item no. Nr N °d article Articolo No. Artículo No	Reference Image Referenzbild Image de référence Immagine di riferimento Imagen de referencia	Qty Menge Qté. Qtà Cant.	Item no. Nr N °d article Articolo No. Artículo No	Reference Image Referenzbild Image de référence Immagine di riferimento Imagen de referencia	Qty Menge Qté. Qtà Cant.
(A)	 Ø5*38	X27	(K)	 Ø10	X9
(B)	 M6*10	X10	(L)	 M3	X1
(C)	 M6*30	X19	(M)	 X1	X1
(D)	 X27	X27	(N)	 M5	X1
(E)	 M8*35	X16	(O)	 M4	X1
(F)	 M8*40	X15	(P)	 X2	X2
(G)	 M6*10(Ø8*5)	X2	(Q)	 X4	X4
(H)	 M8*50	X8	(R)	 X8	X8
(I)	 M3.0*12	X73	(V)	 X20	X1
(J)	 M8	X13	(Y)	 X1	X1

INSTALLATION DIRECTORY

1、 Right installation page number : Page 5--Page 36

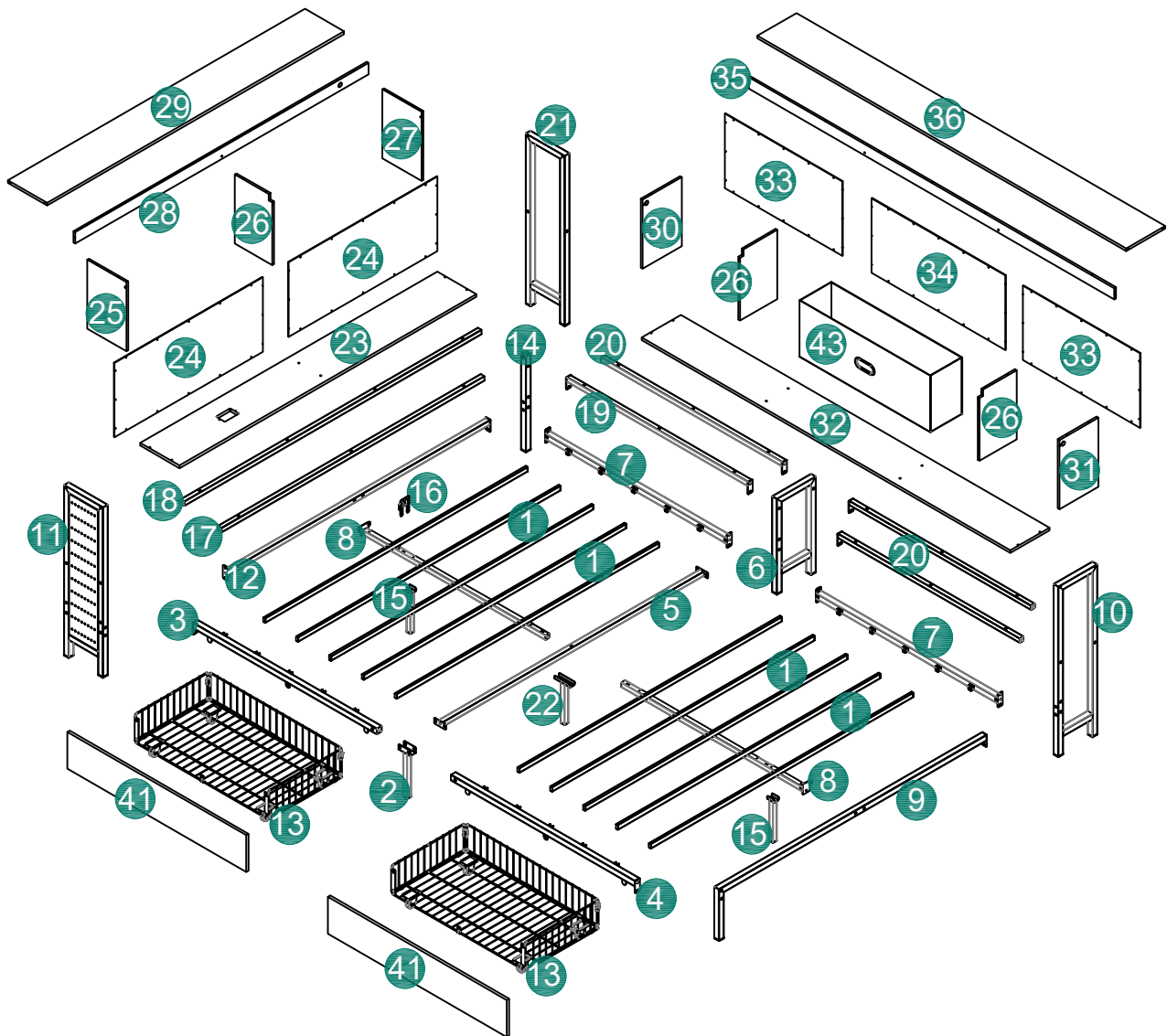


2、 Left installation page number : Page 37--Page 68

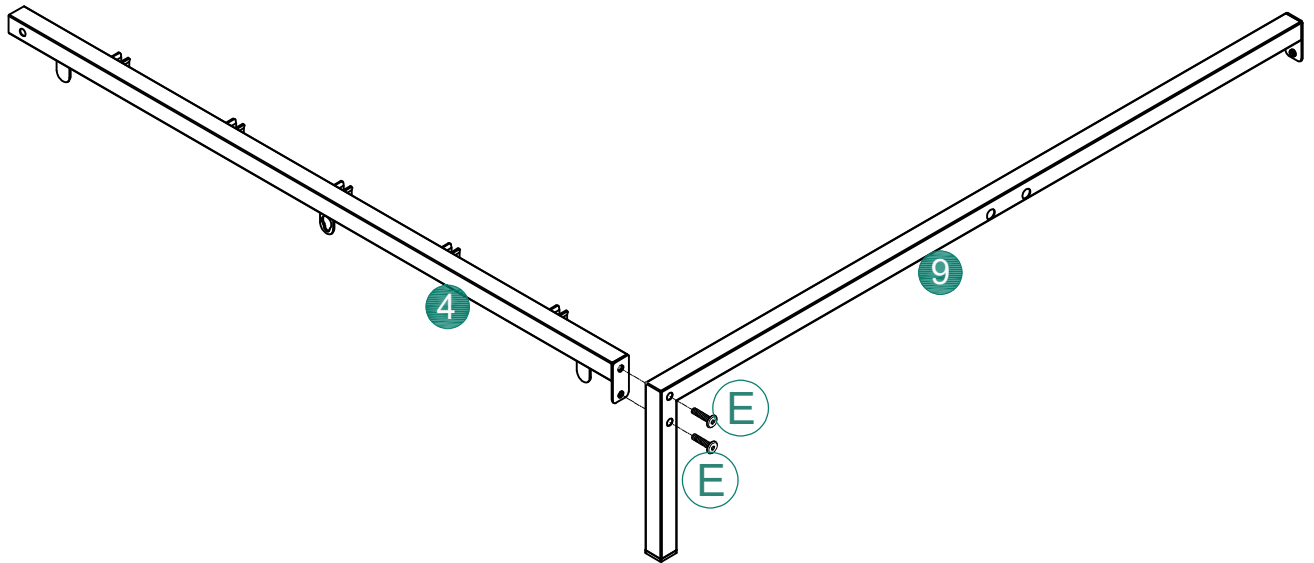
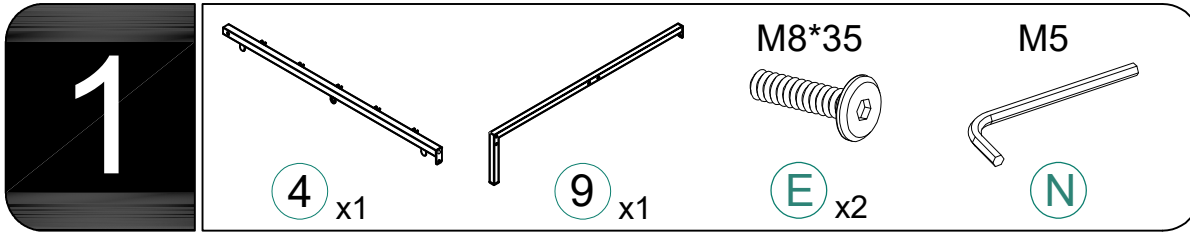


EXPLODED VIEW

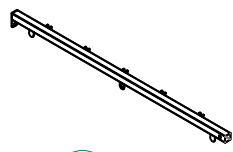
Right side installation



ASSEMBLY



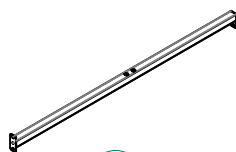
2



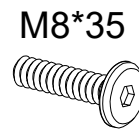
3 x1



11 x1



12 x1

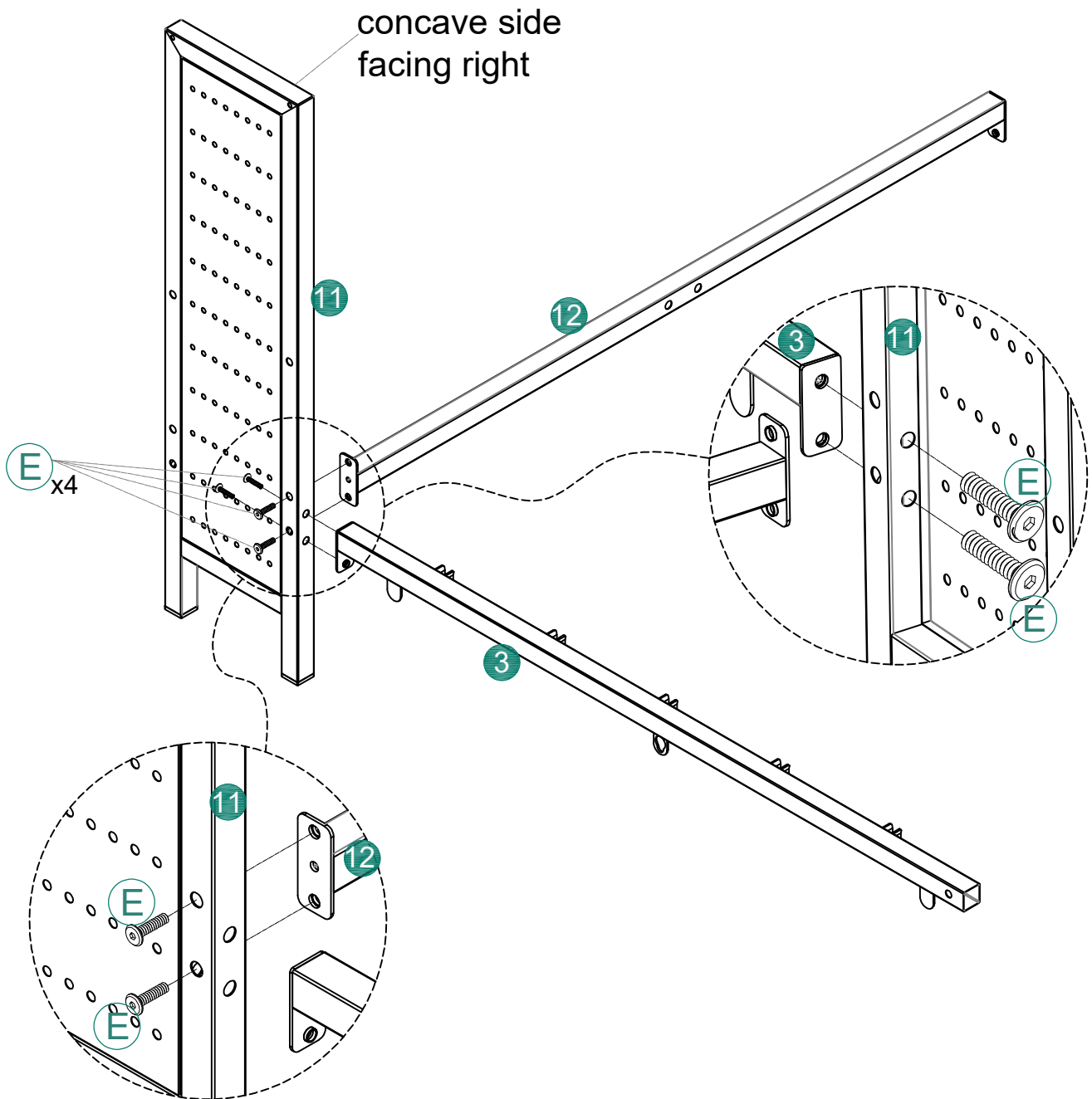


E x4

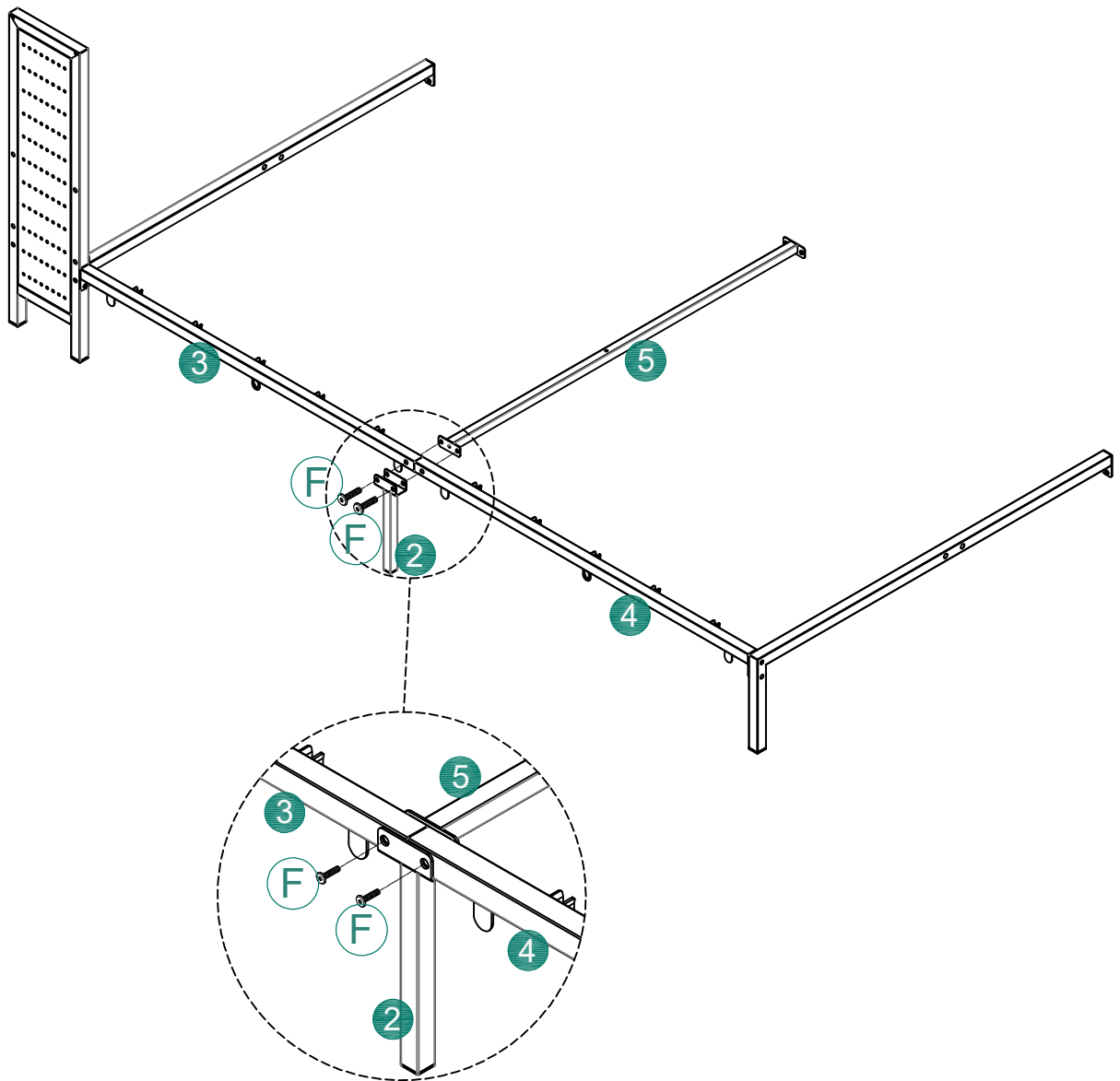
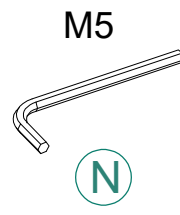
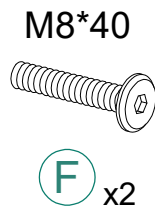
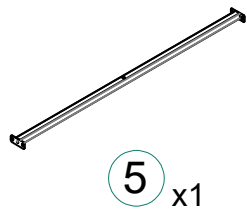
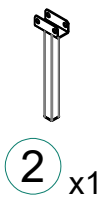
M5




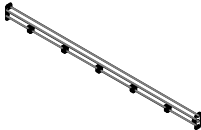
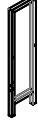

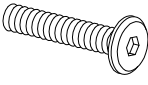

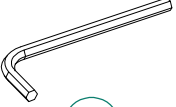
N



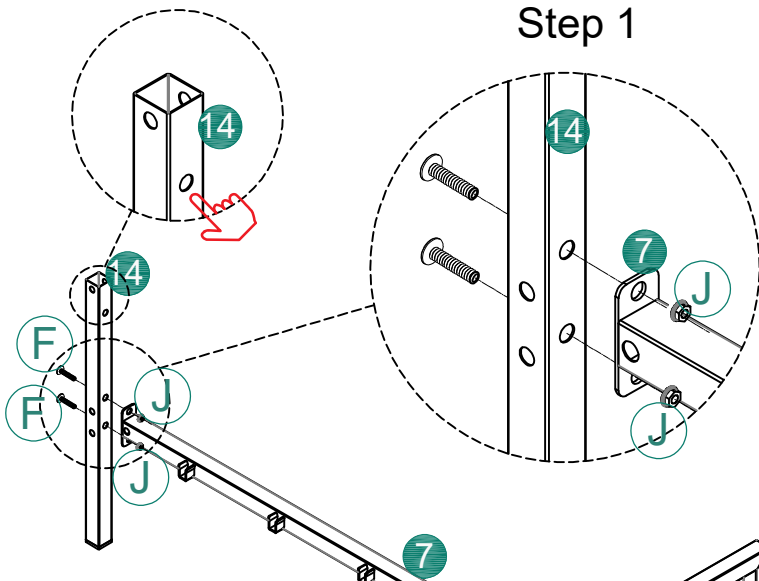
3



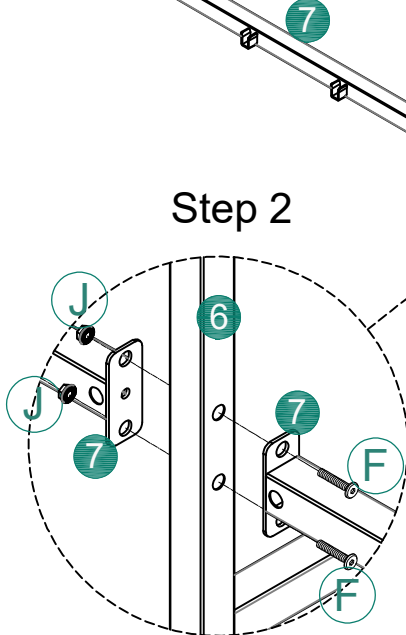
4

-  6 x1
-  7 x2
-  10 x1
-  14 x1
-  M8*40 F x6
-  J x6
-  M5 N

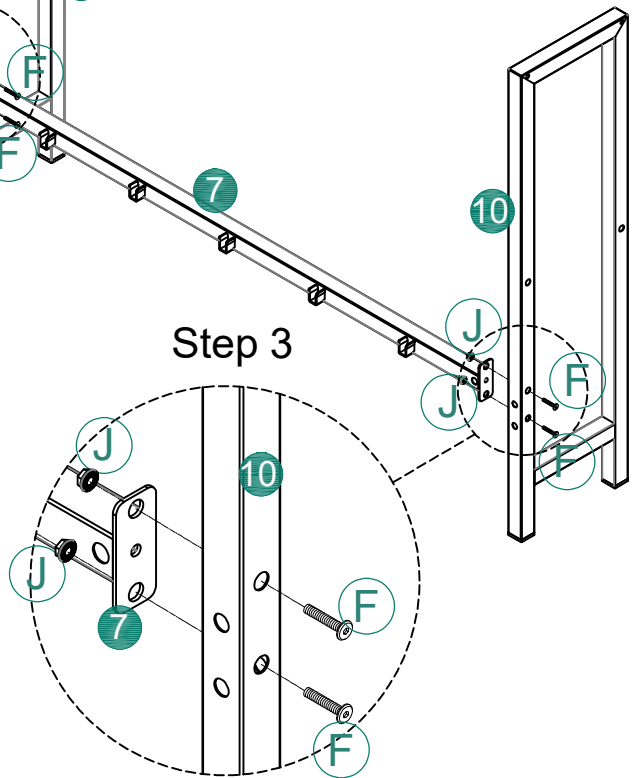
Step 1



Step 2




Step 3

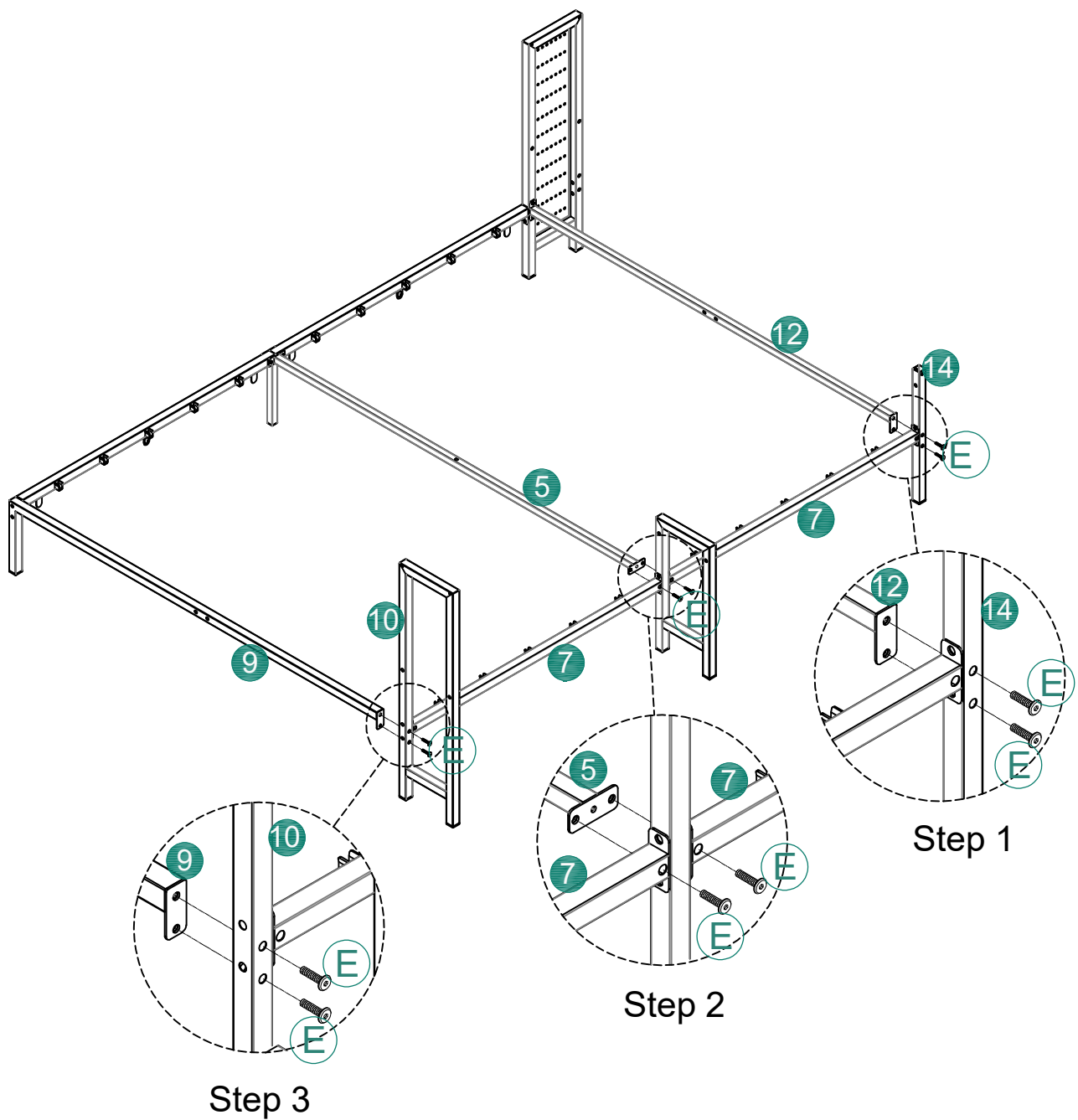


5

M8*35 M5



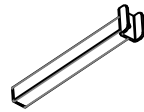
E x6 N



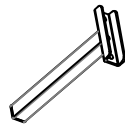
6



8 x2



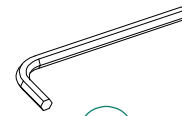
15 x2



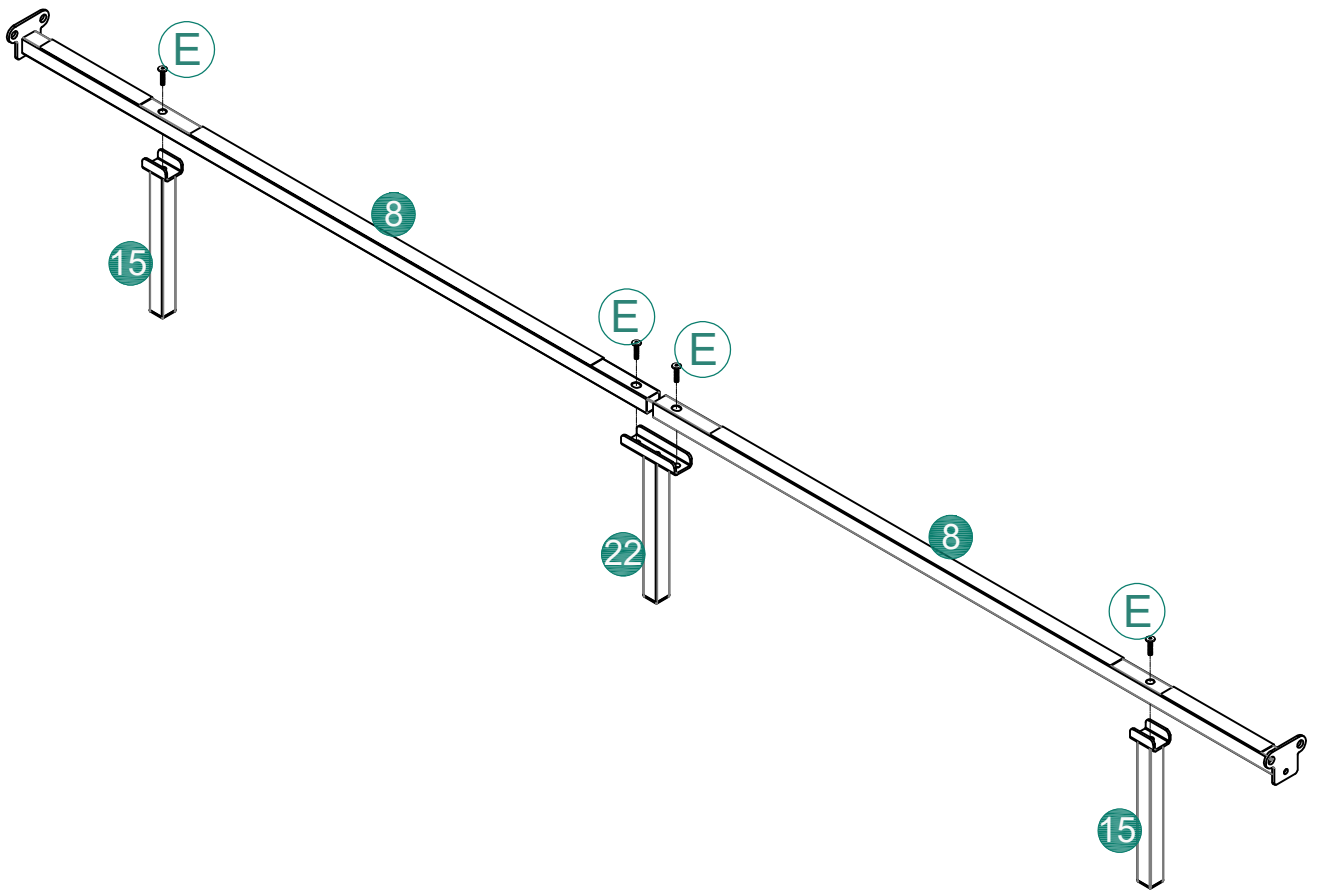
22 x1



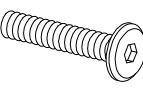
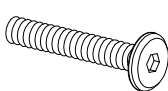


M8*35
E x4

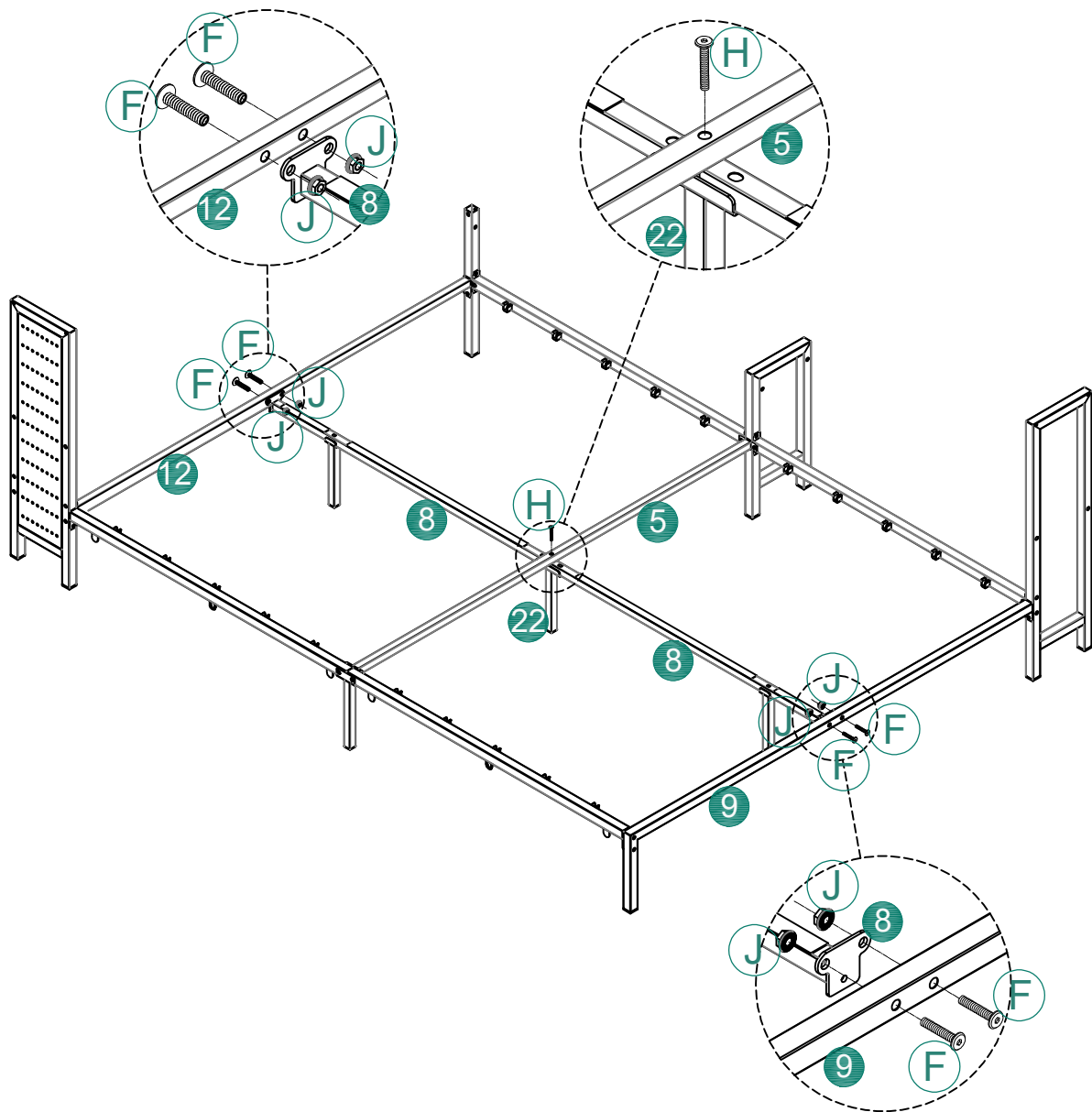


M5
N

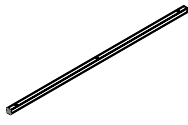


7

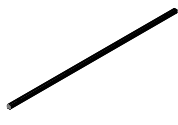
M8*40	M8*50	M5	
			
(F) x4	(H) x1	(J) x4	(N)



8



17 x1

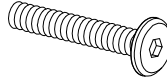


18 x1



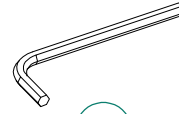
21 x1

M8*50



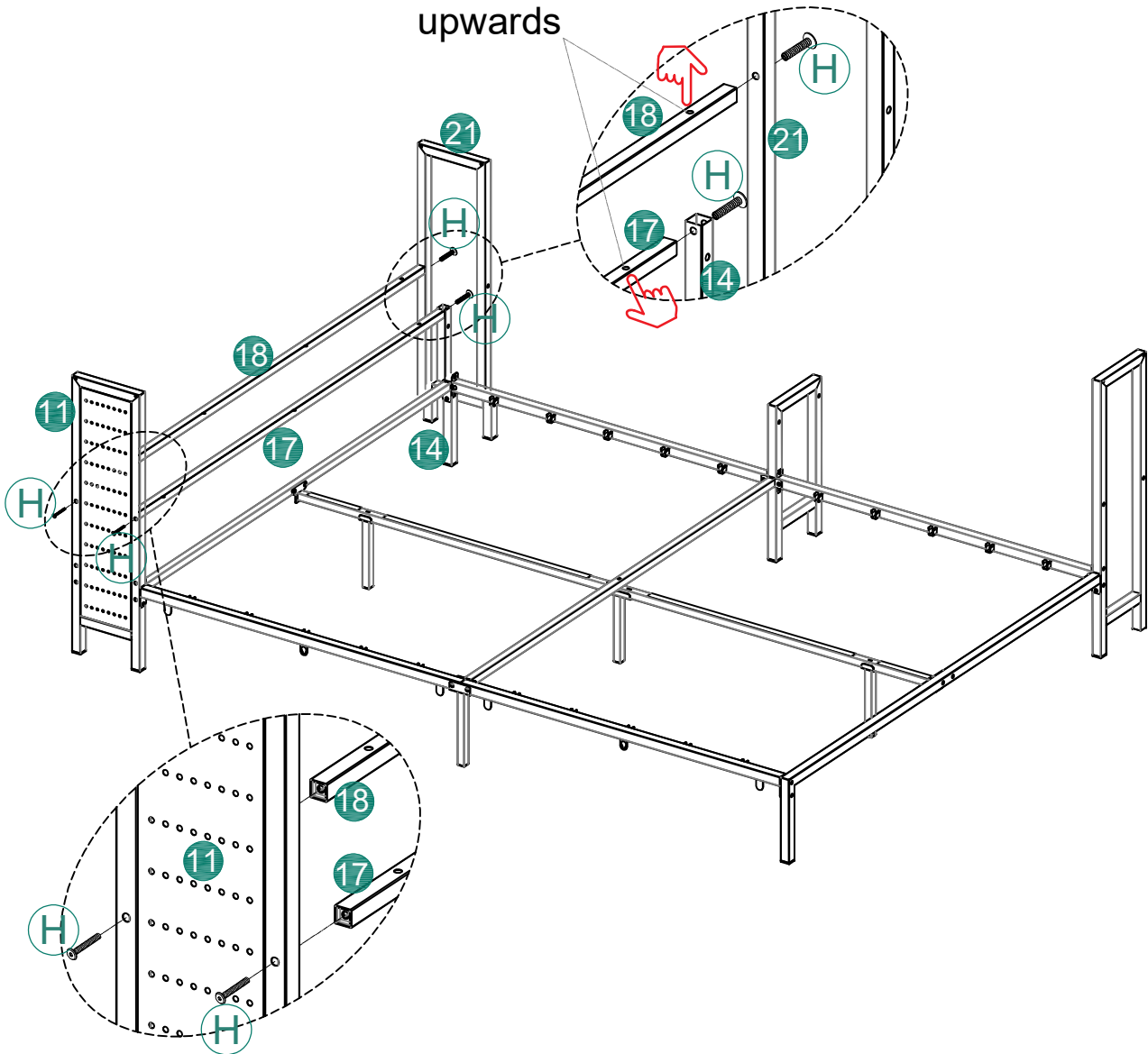
H x4

M5



N

hole facing upwards



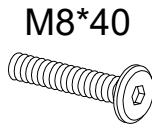
9



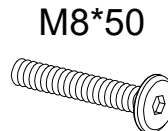
19 x1



20 x3



F x3

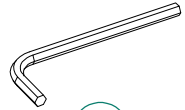


H x3



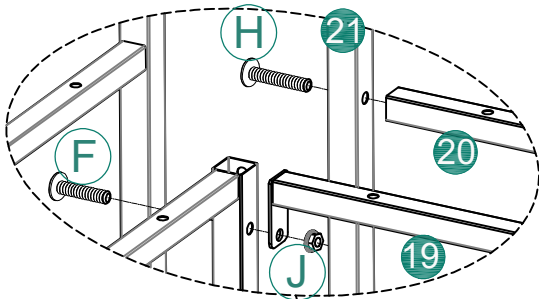
J x3

M5

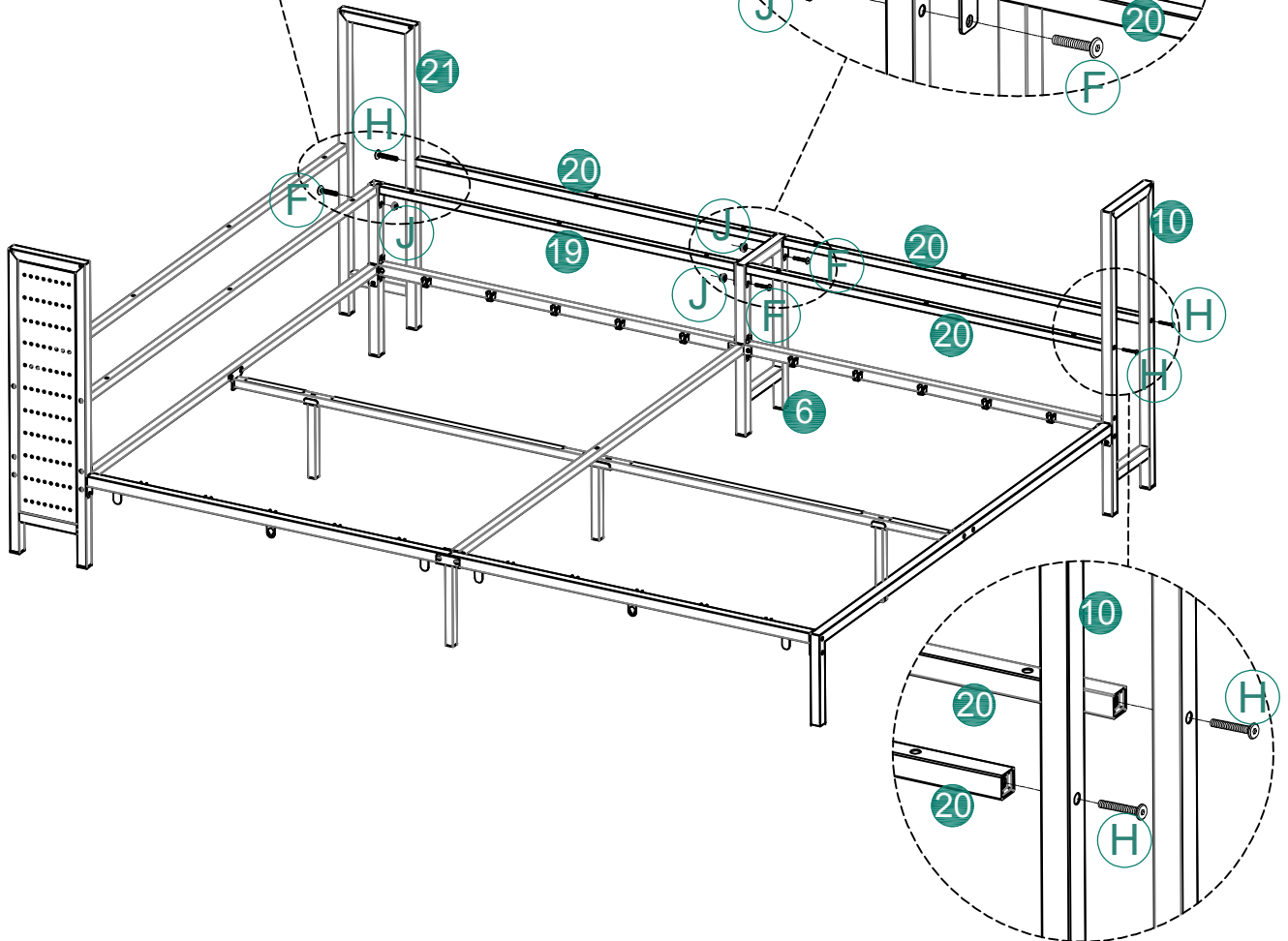
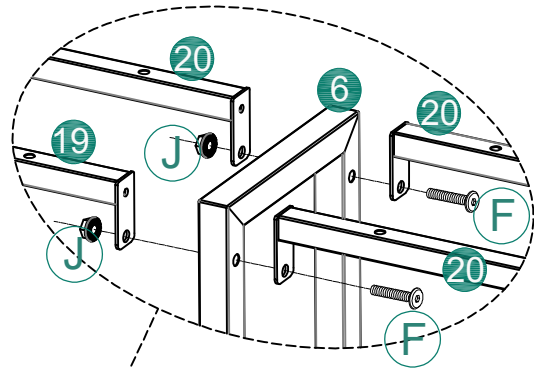


N

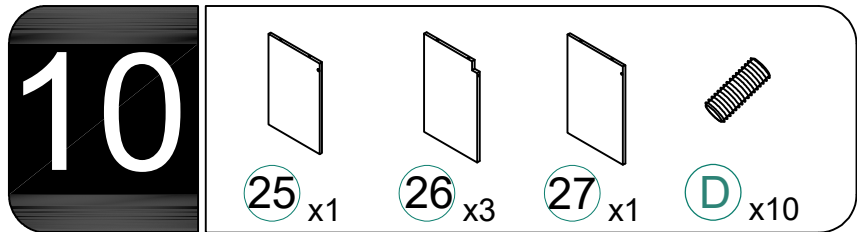
Step 3



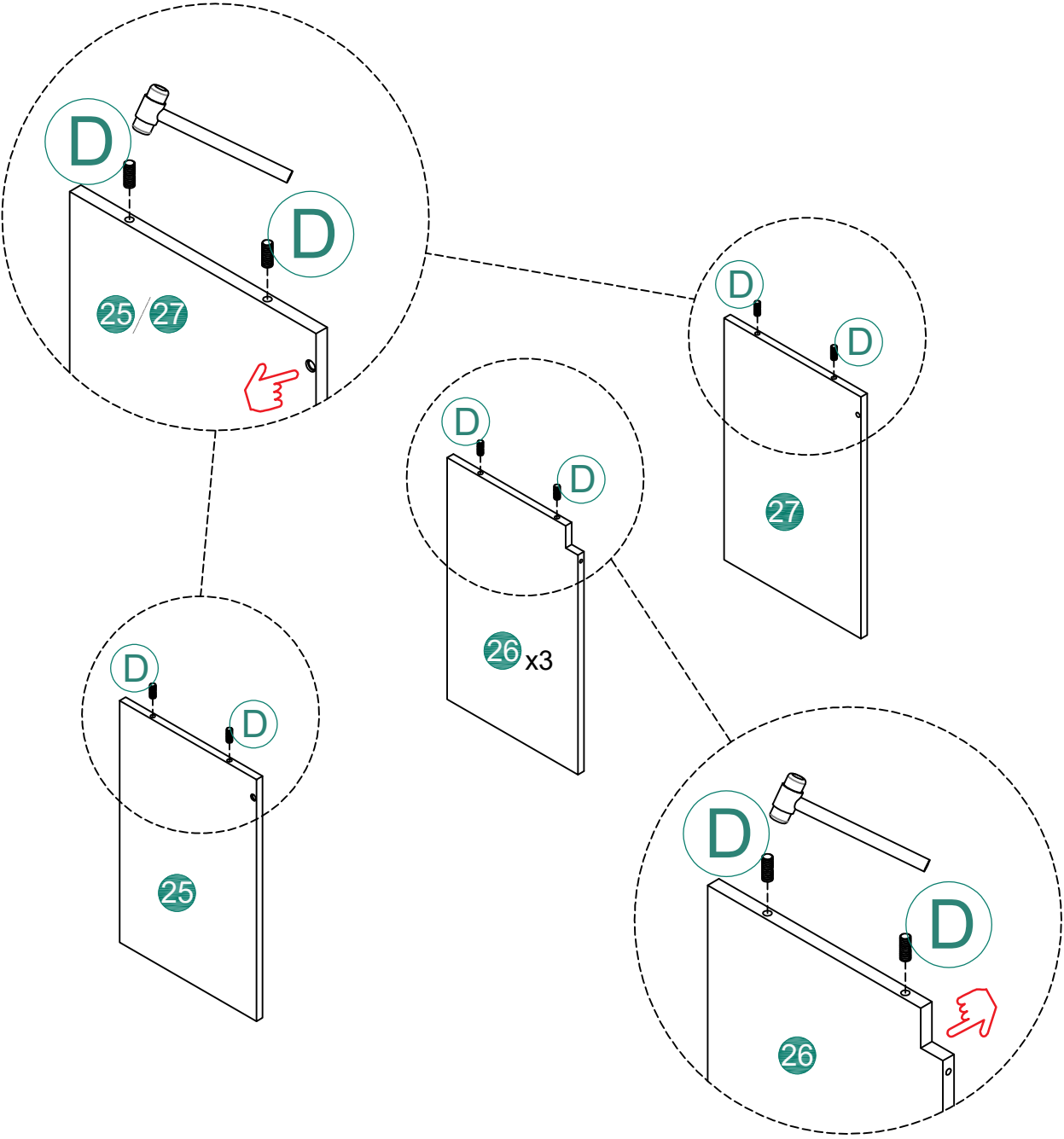
Step 2

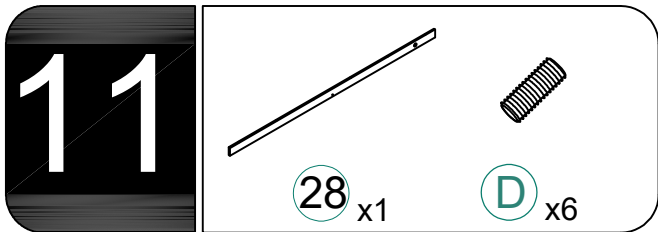


Step 1

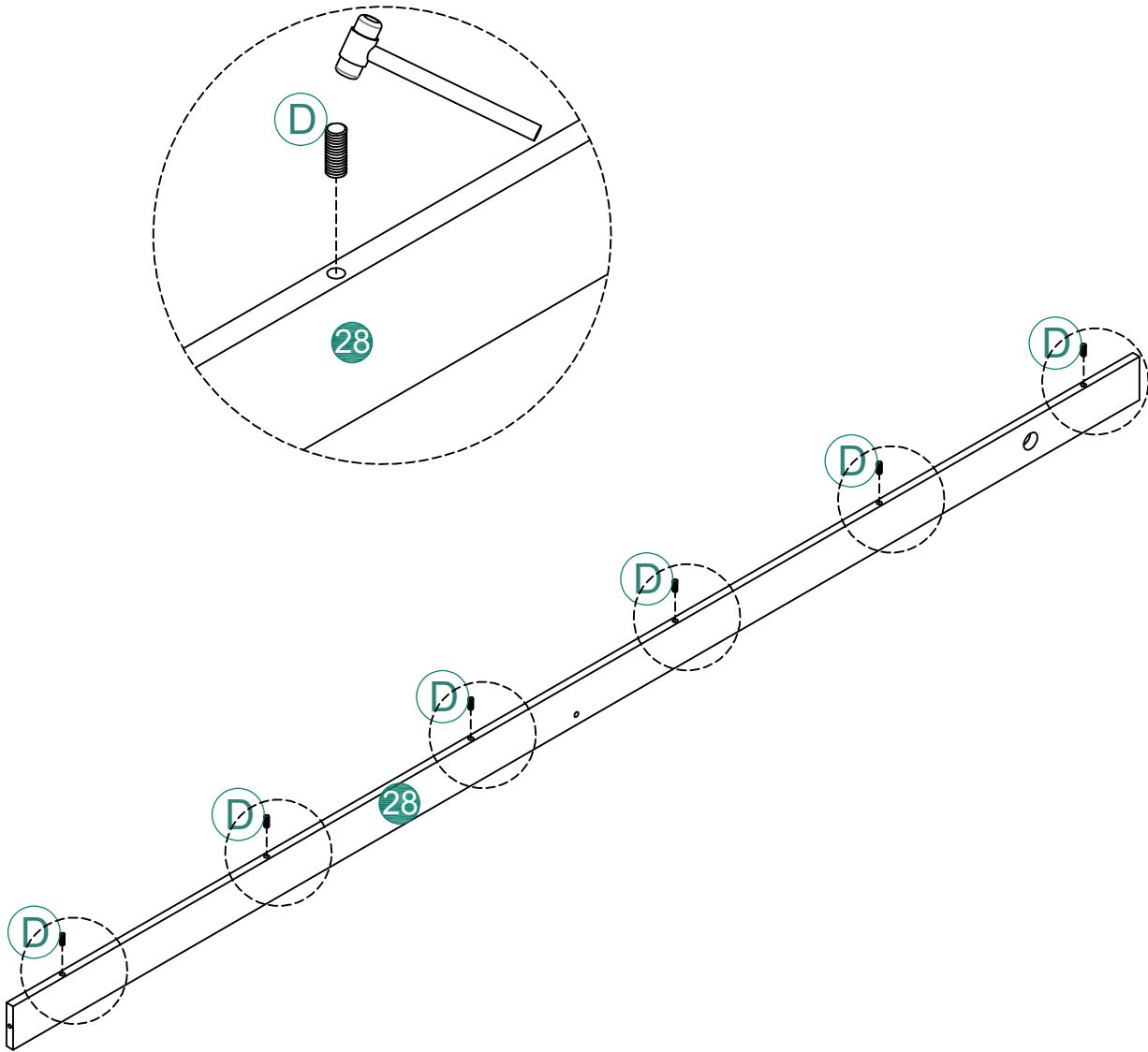


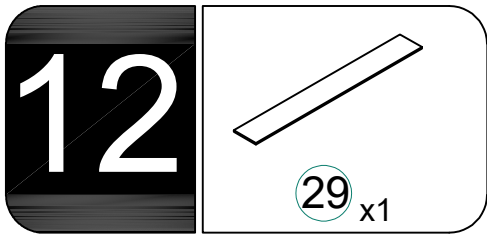
Tap gently with a rubber hammer, be careful not to hurt your fingers



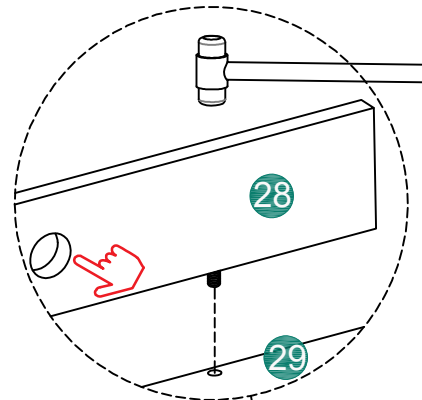


Tap gently with a rubber hammer, be careful not to hurt your fingers

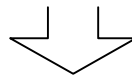
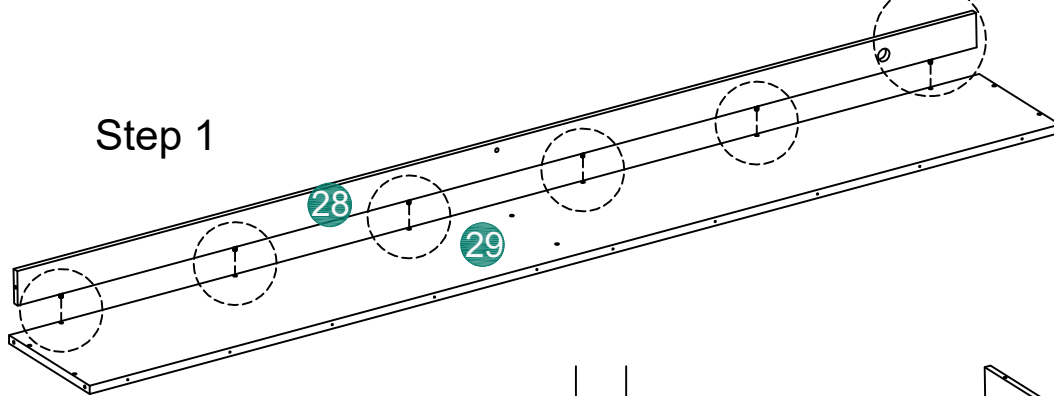




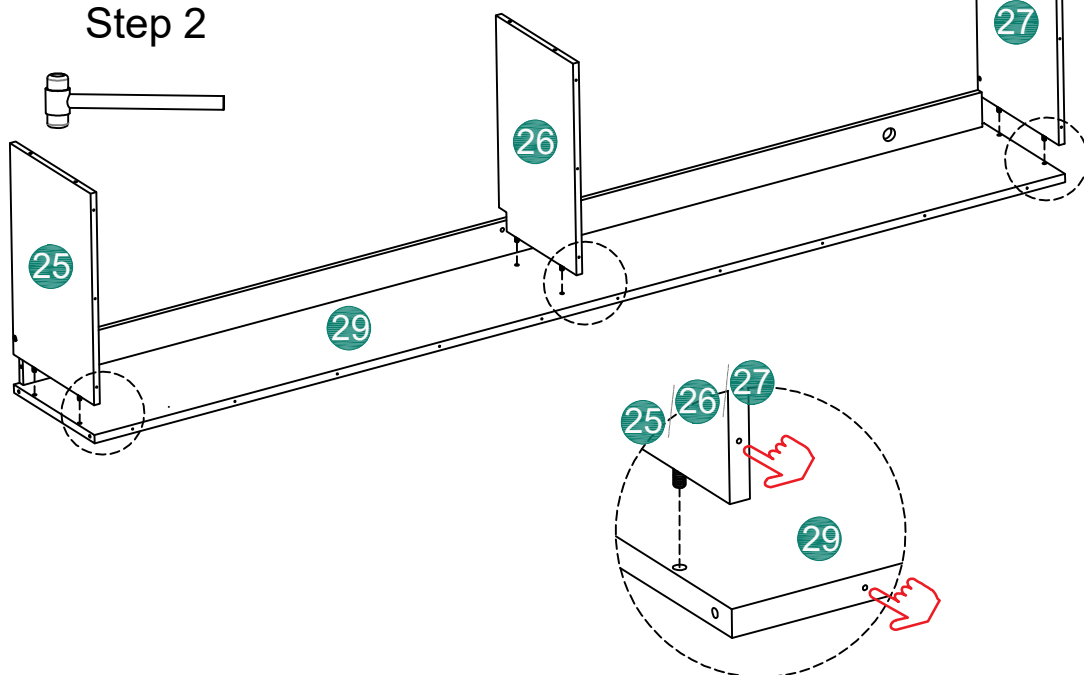
Use a glue hammer to lightly tap different areas on the wooden board



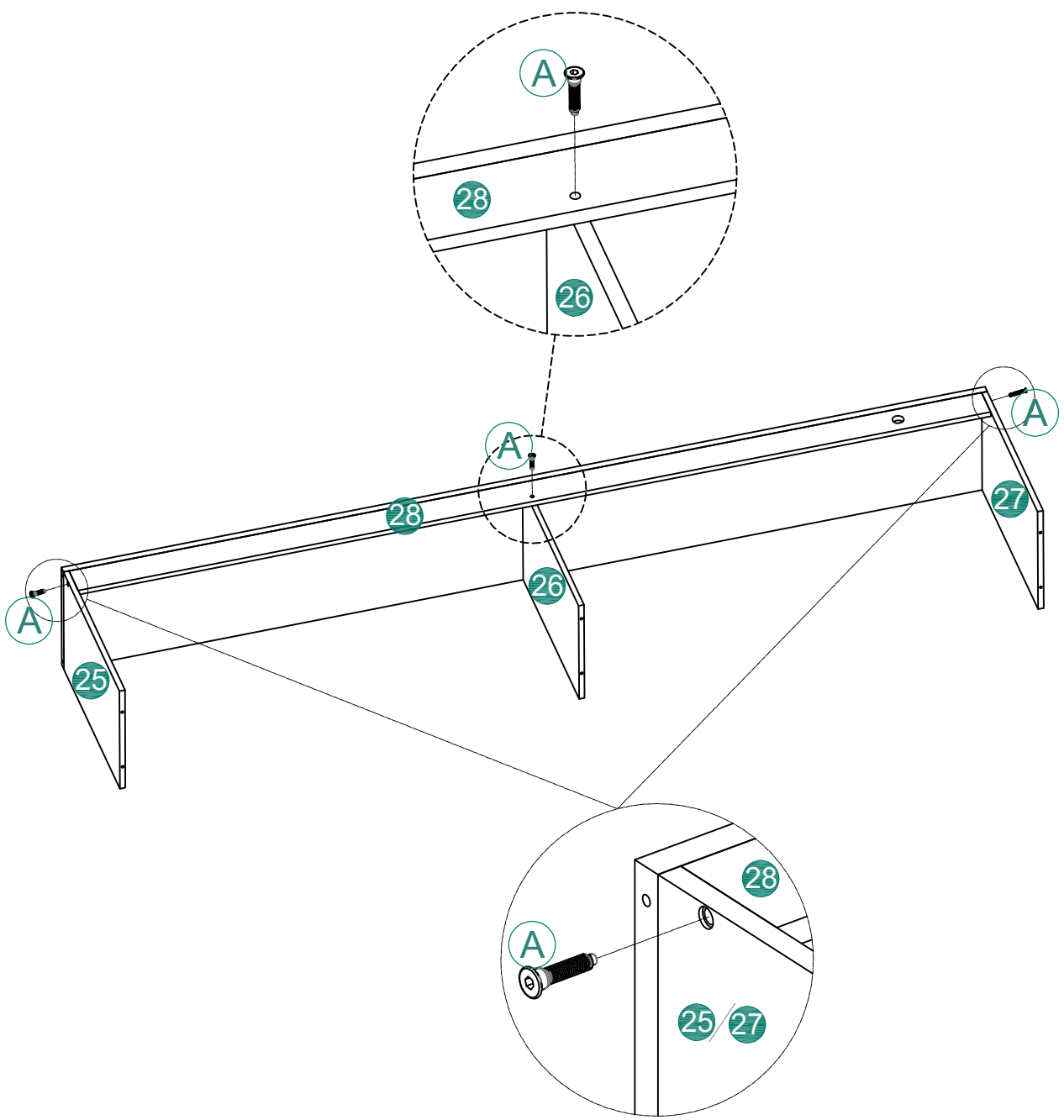
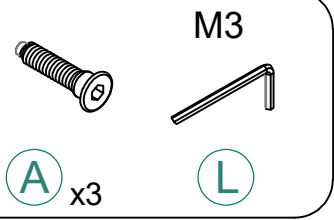
Step 1



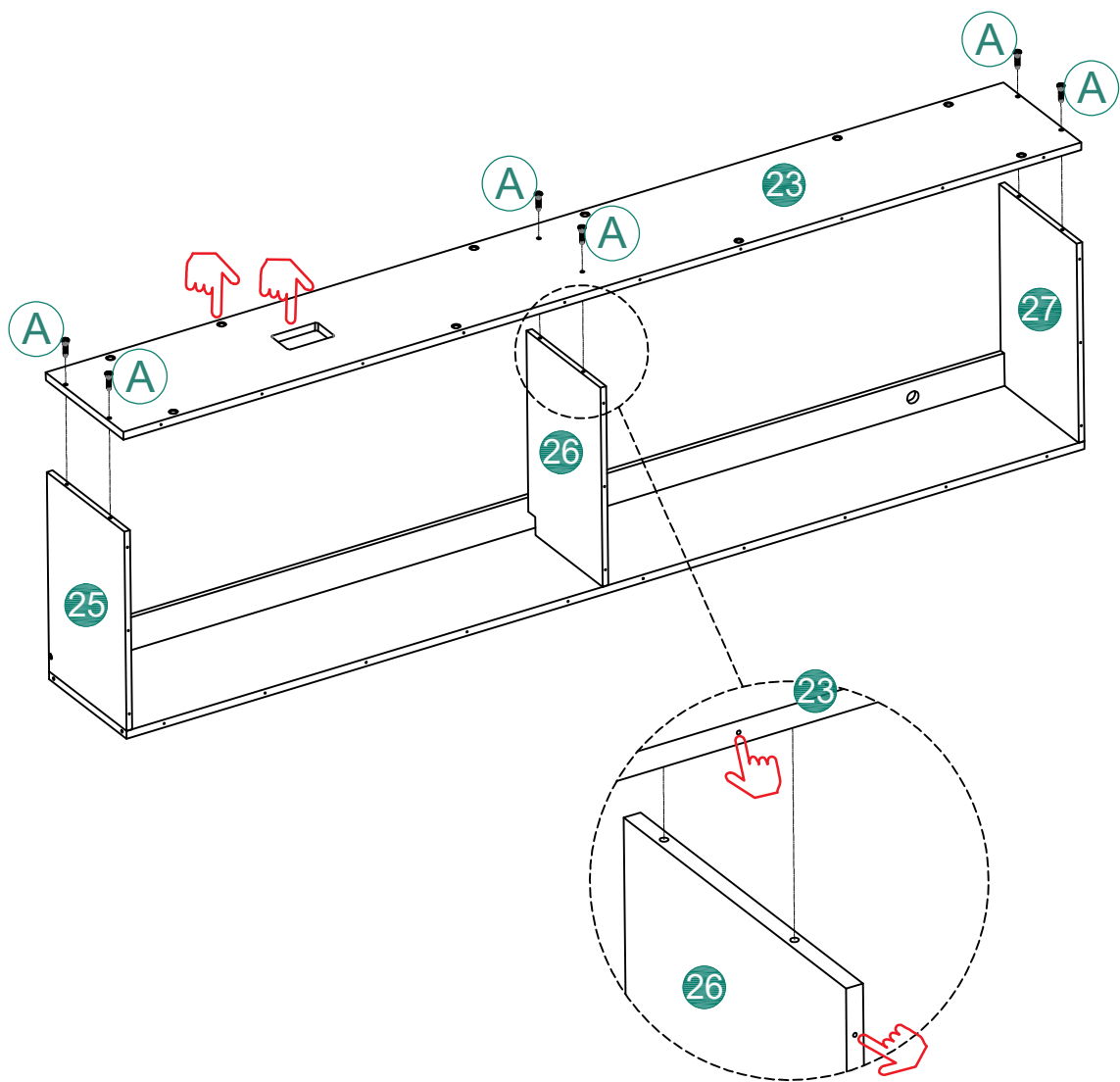
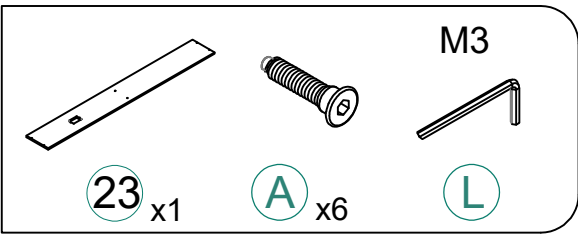
Step 2



13

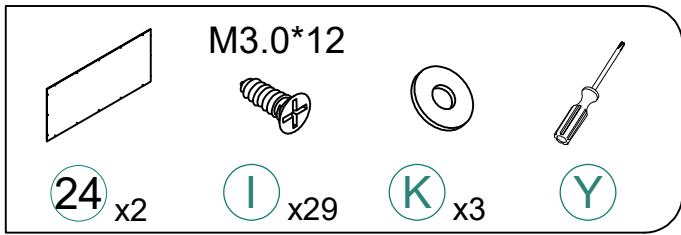


14



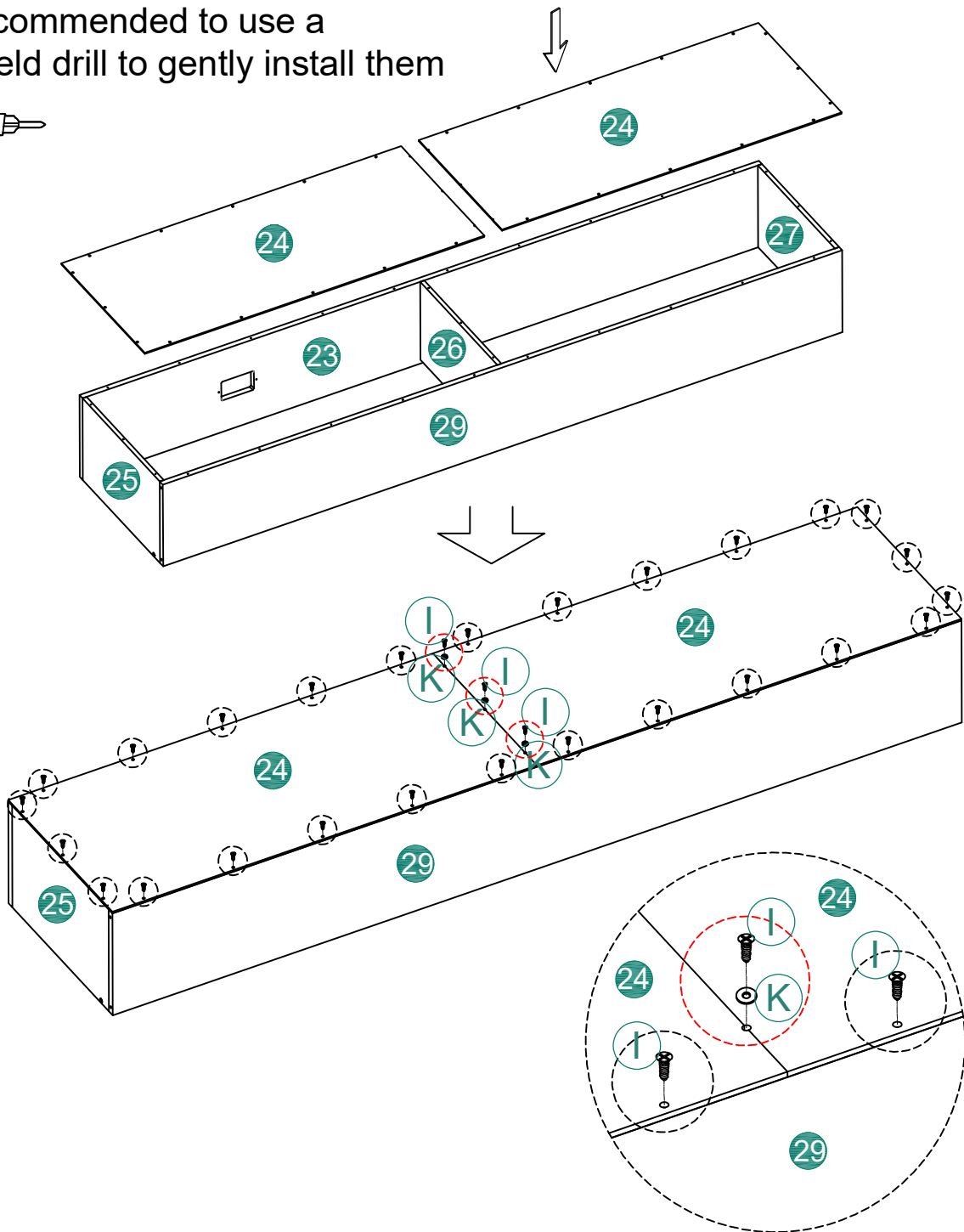
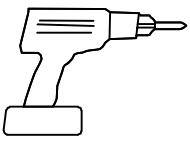
15

M3.0*12

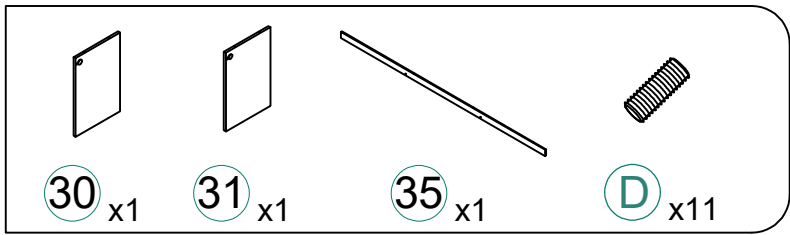


24 x2 I x29 K x3 Y

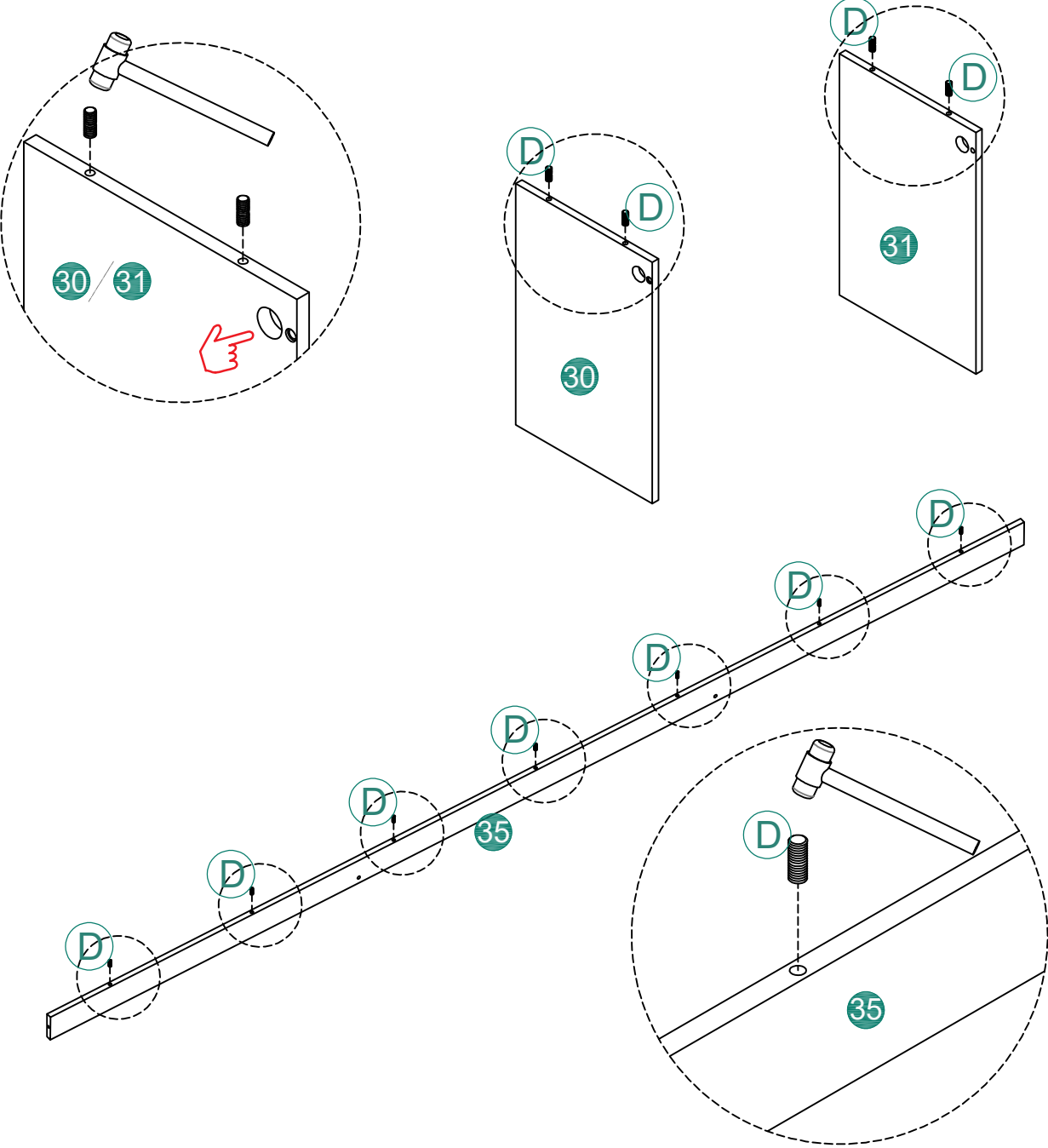
There are quite a few screws,
it is recommended to use a
handheld drill to gently install them

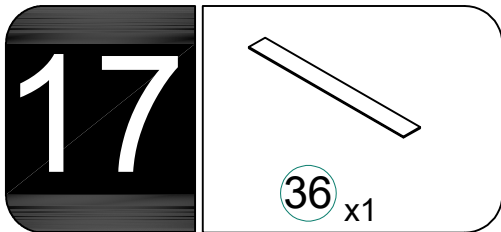


16

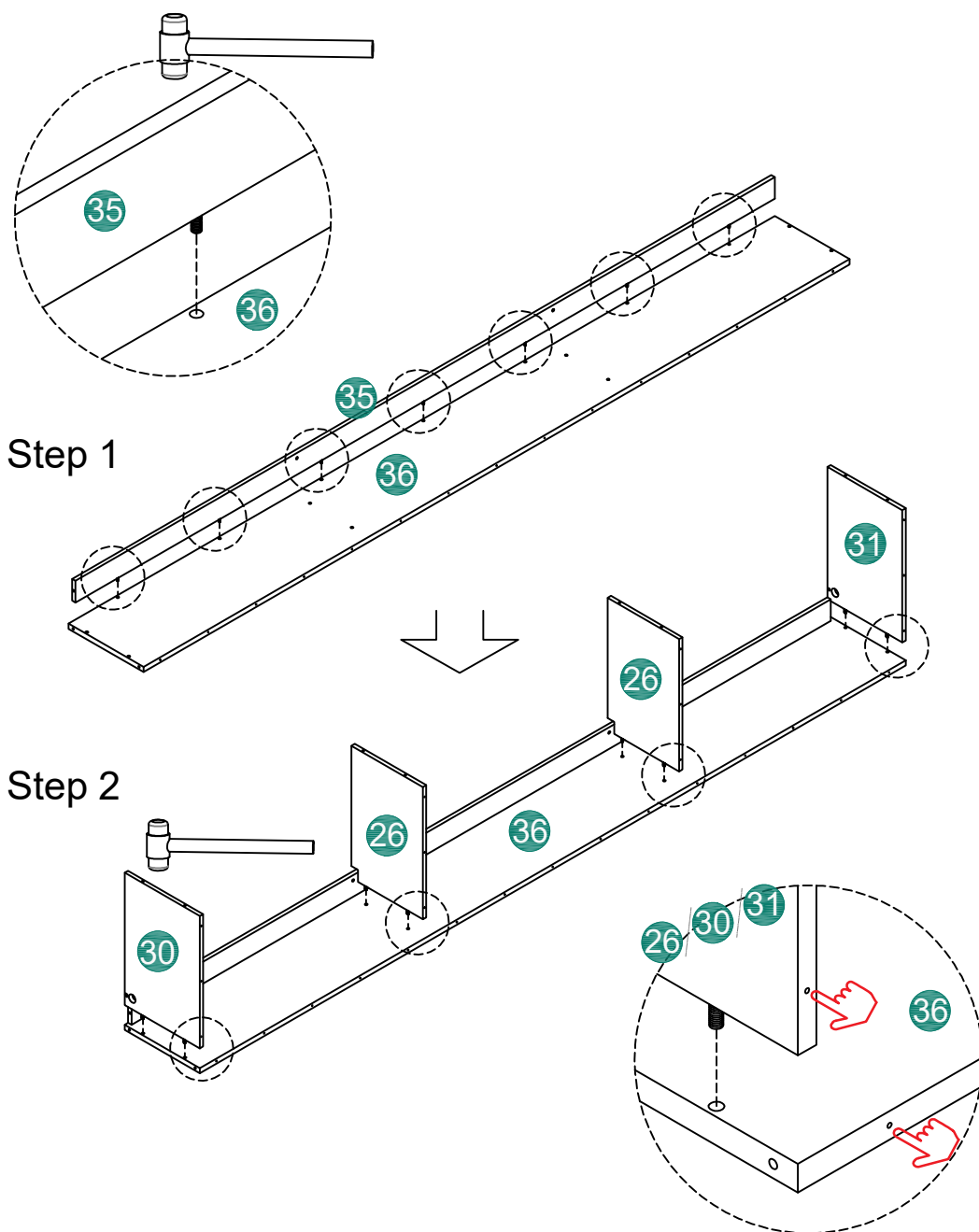


Tap gently with a rubber hammer, be careful not to hurt your fingers

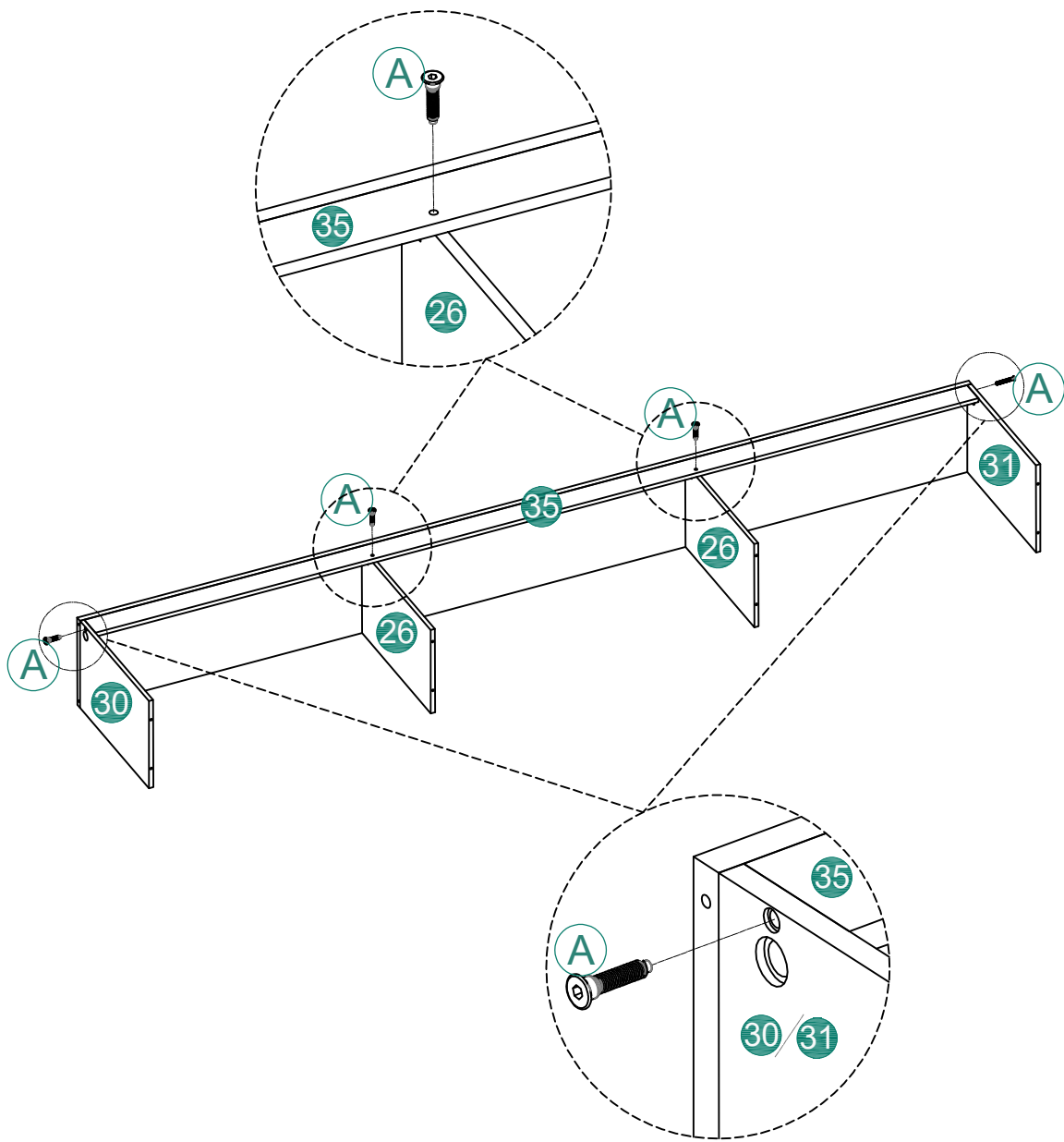
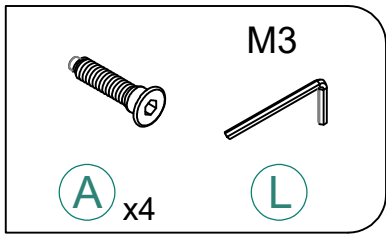




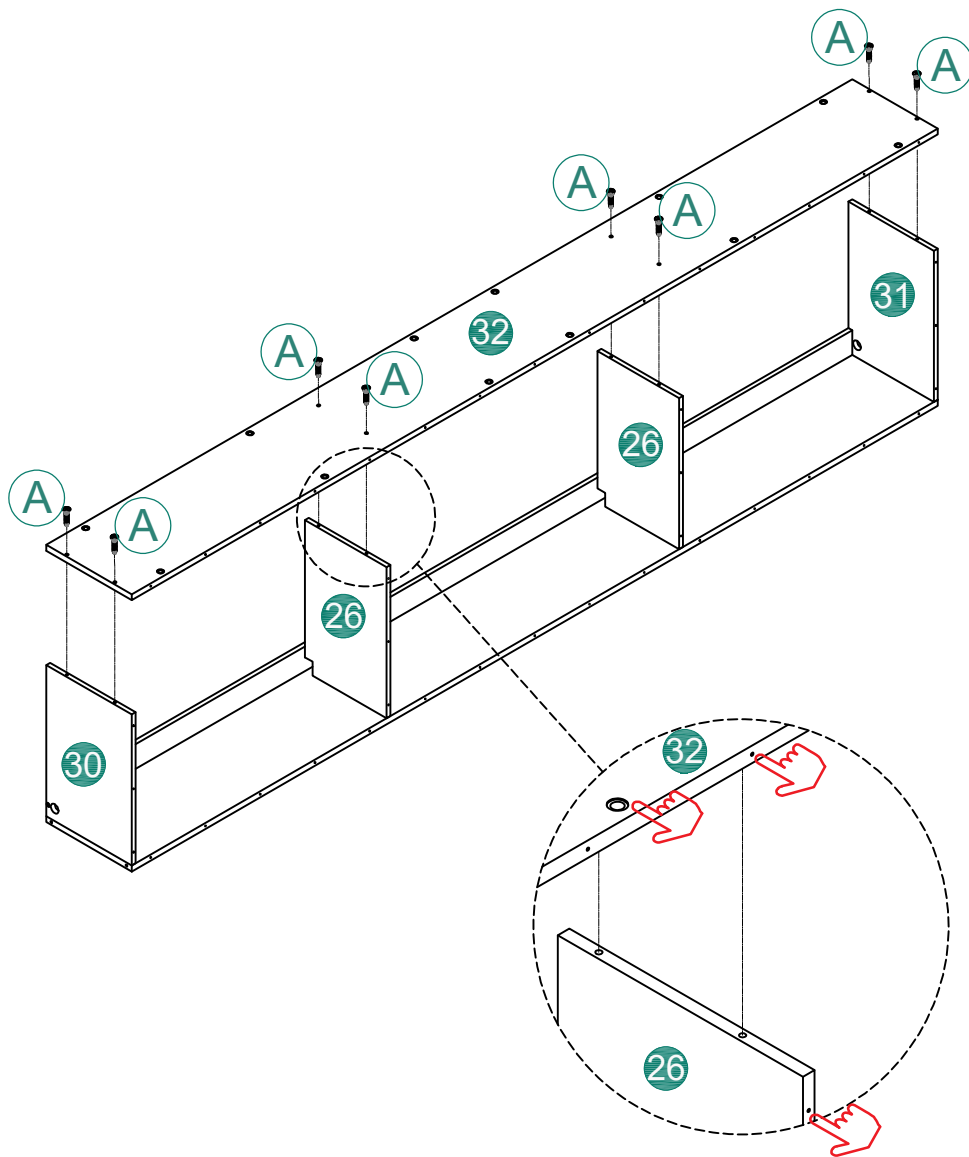
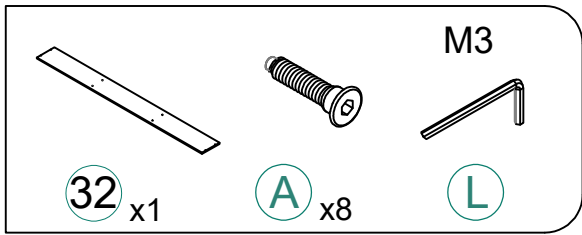
Use a glue hammer to lightly tap different areas on the wooden board



18



19

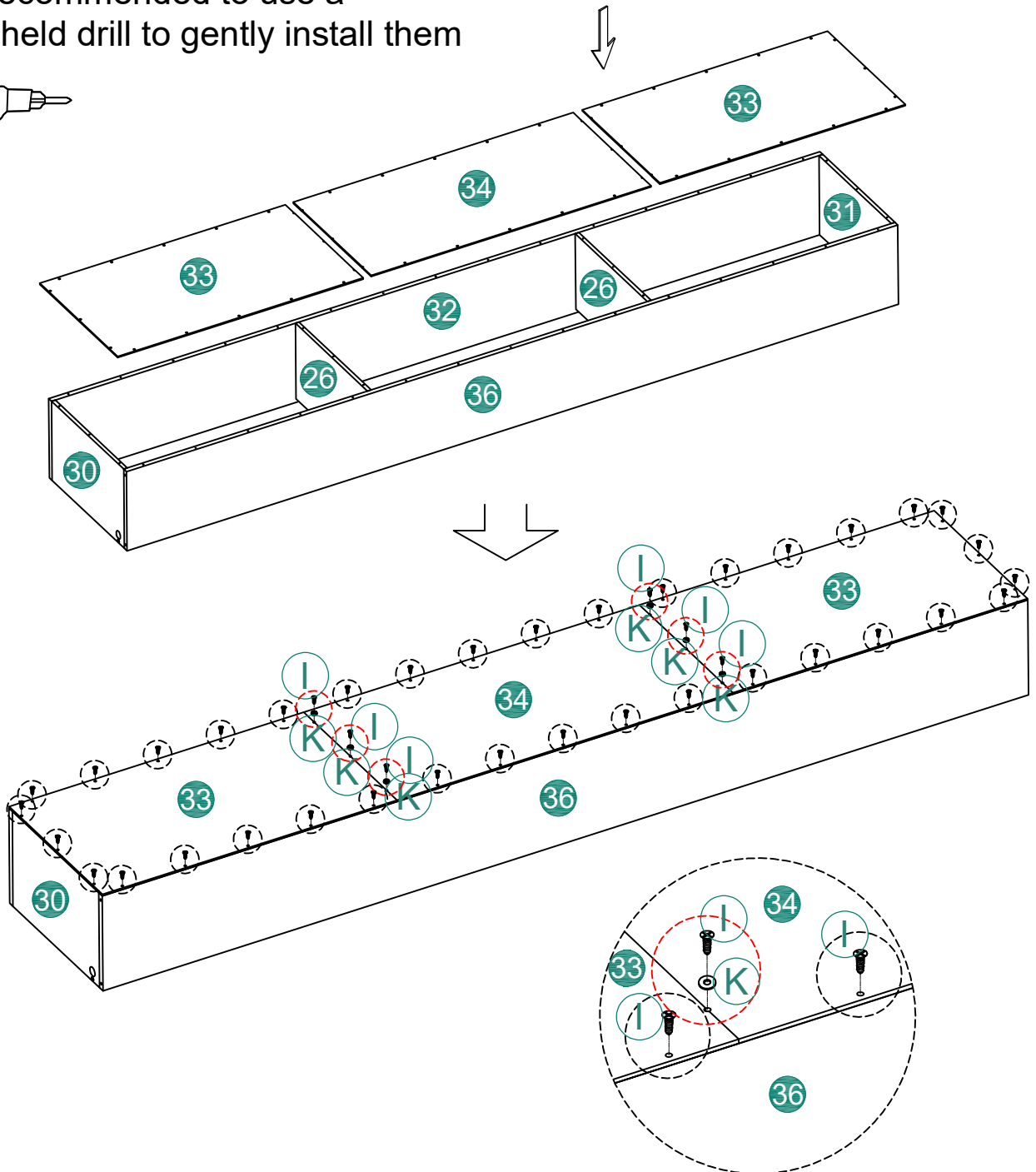
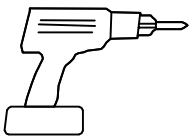


20

M3.0*12

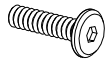
33 x2 34 x1 I x42 K x6 Y

There are quite a few screws,
it is recommended to use a
handheld drill to gently install them



21

M6*30

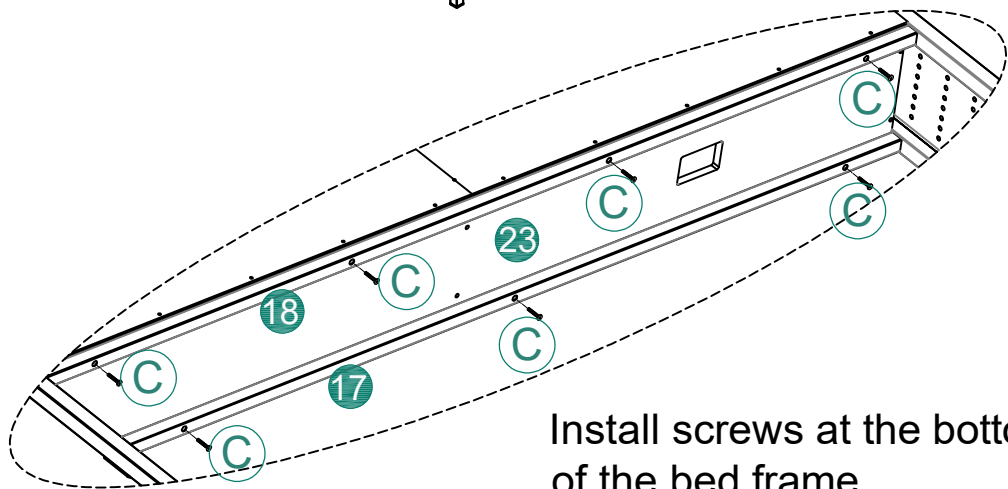
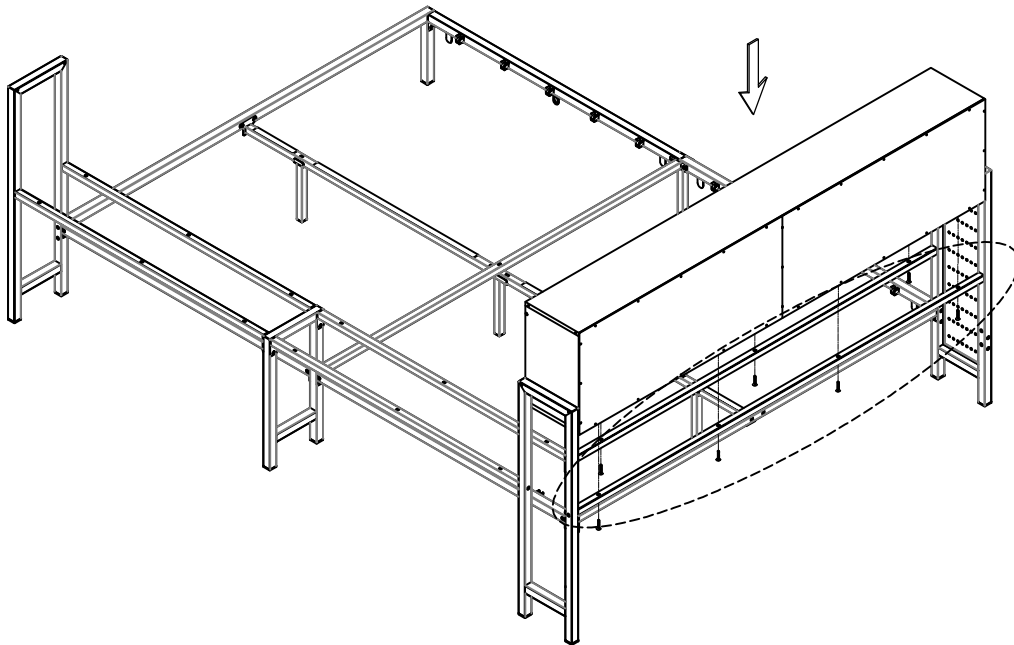


(C) x7

M4



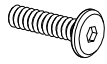
(O)



Install screws at the bottom of the bed frame

22

M6*30

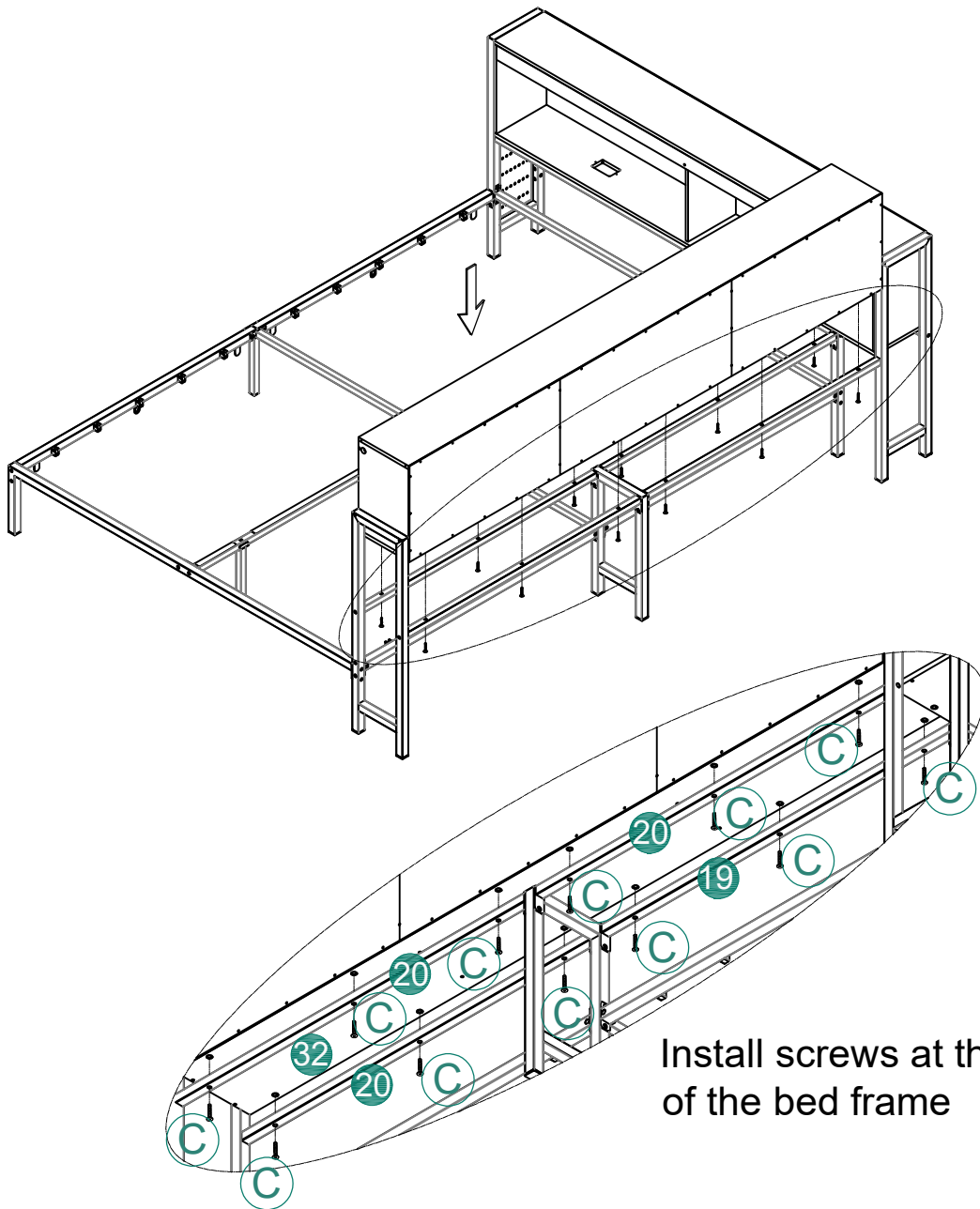


C x12

M4

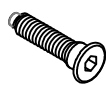


O



Install screws at the bottom of the bed frame

23

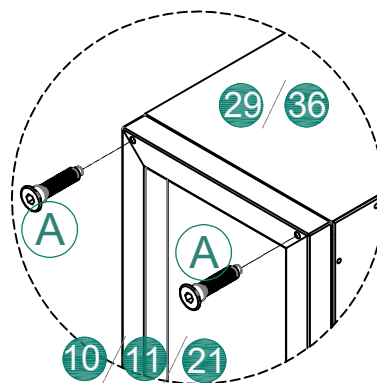
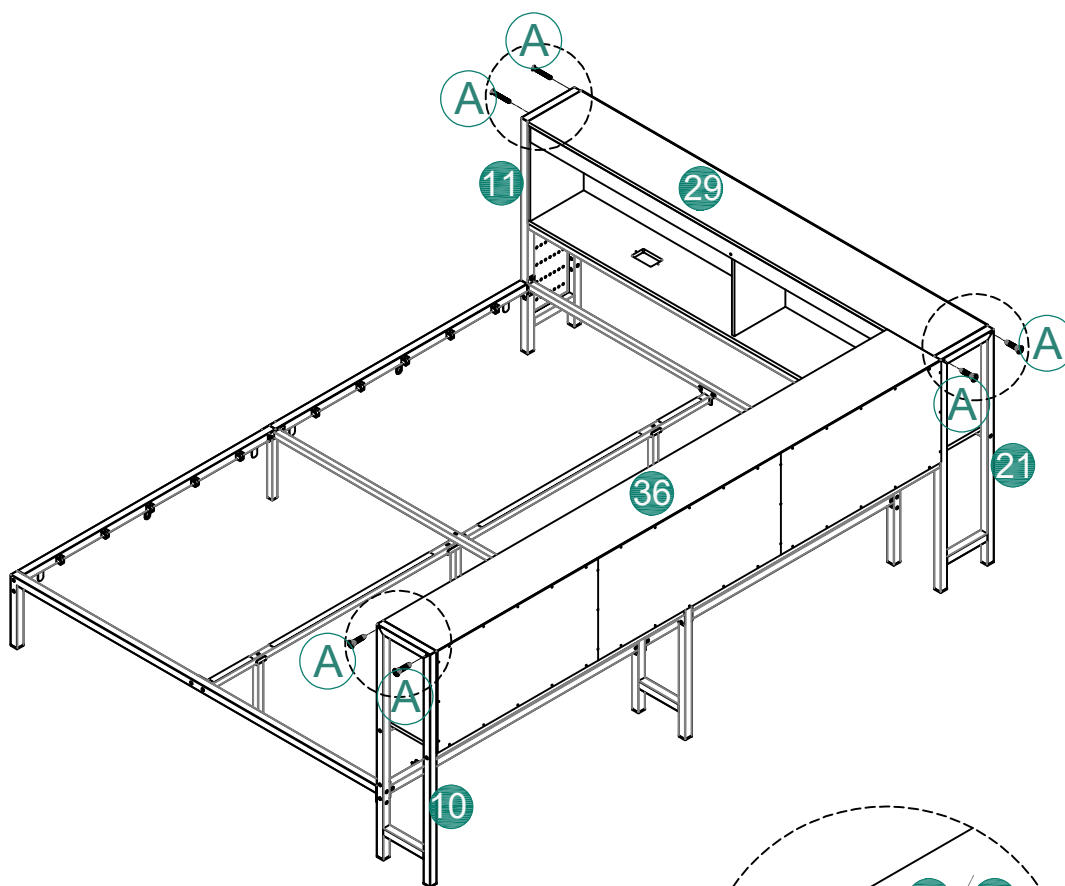


M3

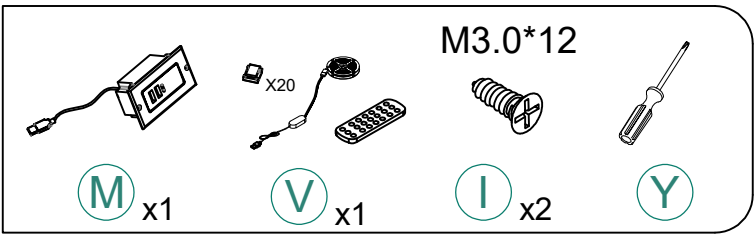


A x6

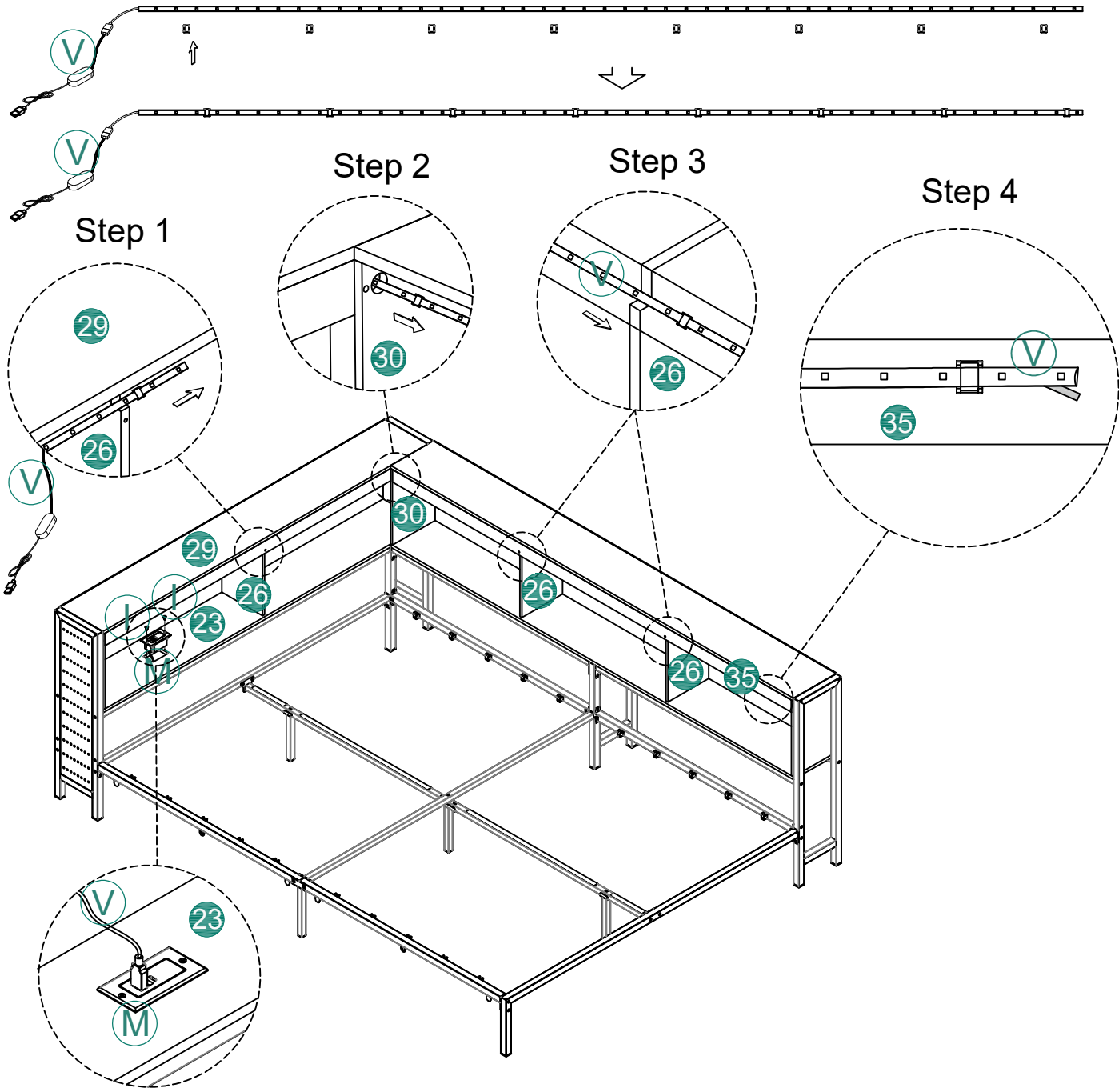
L



24



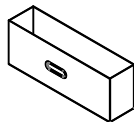
The LED light strip is first fixed with a plastic hook, inserted into the hole of the bed frame, and then the adhesive backing is peeled off and pasted.



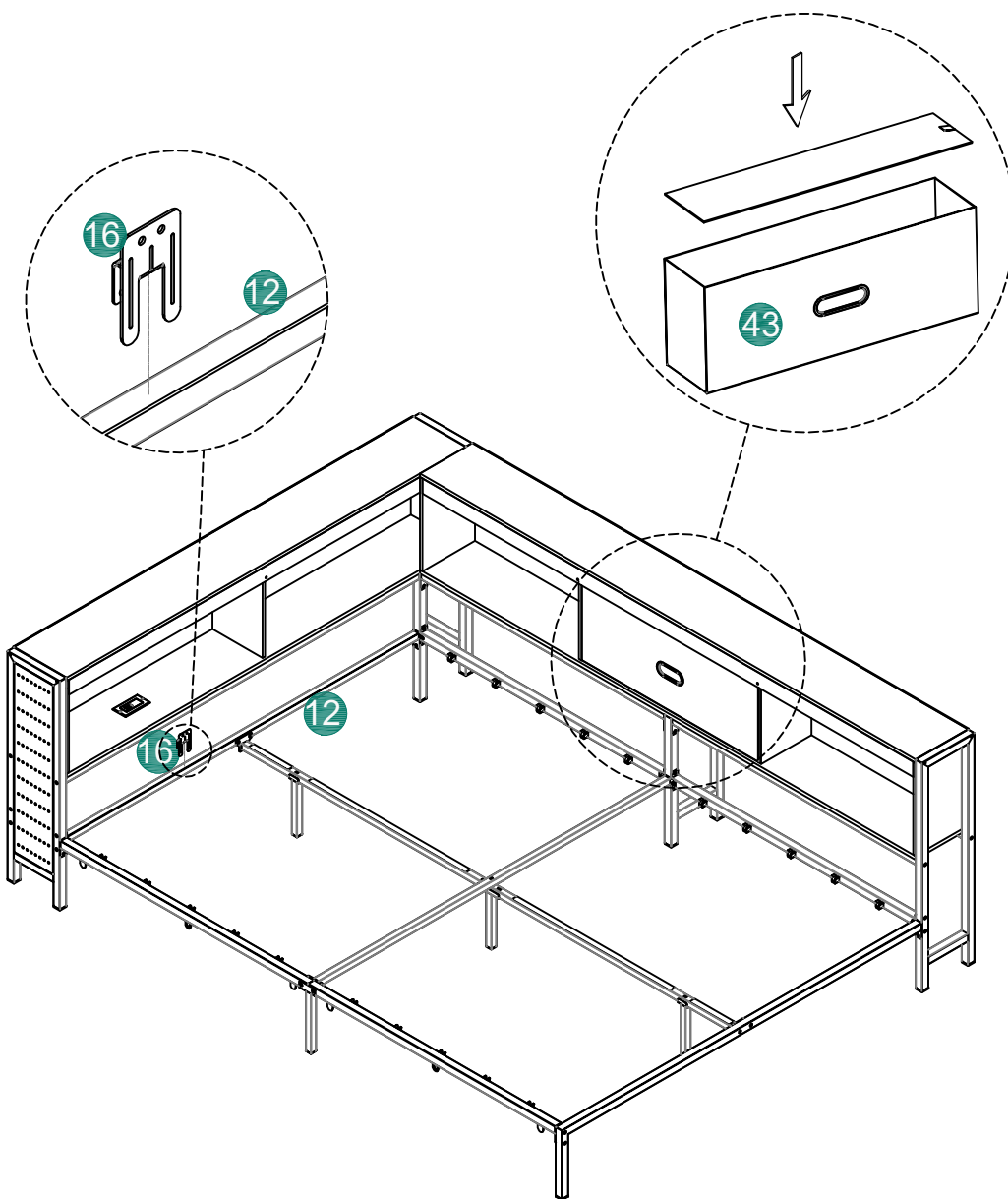
25



16 x1



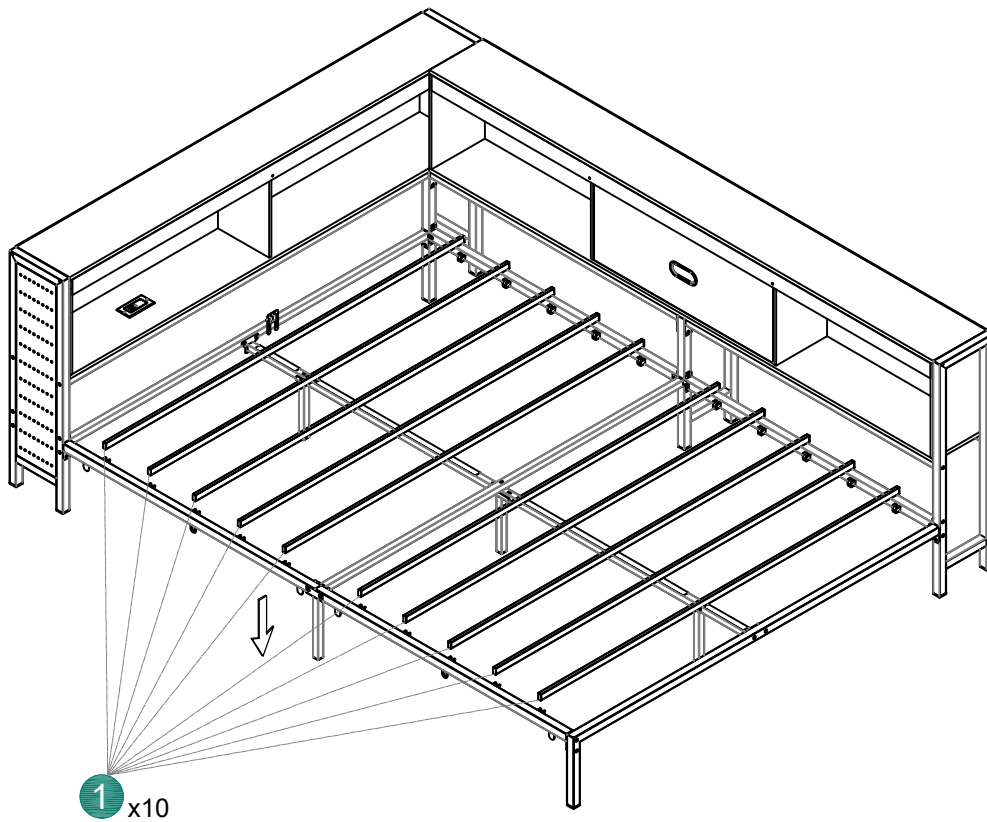
43 x1



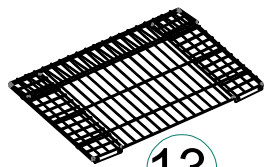
26



1 x10



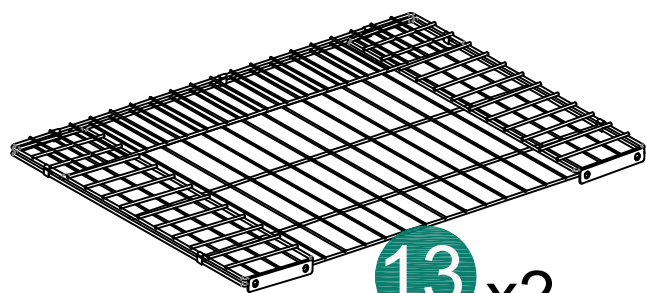
27



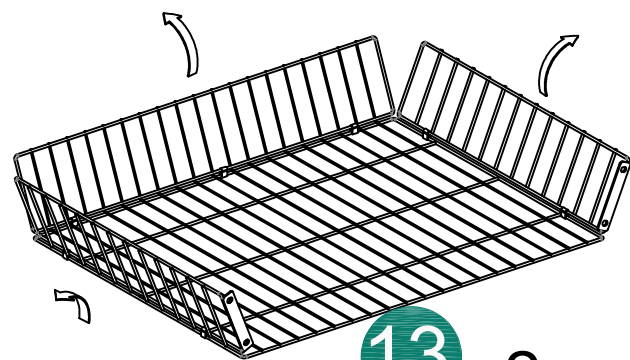
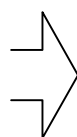
13 x2



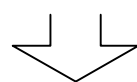
Q x4



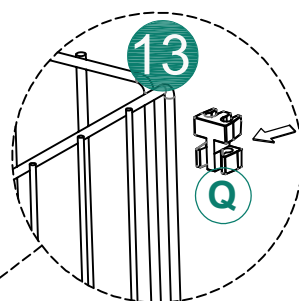
13 x2



13 x2

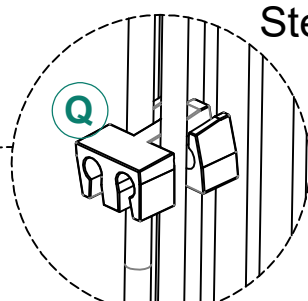


13 x2



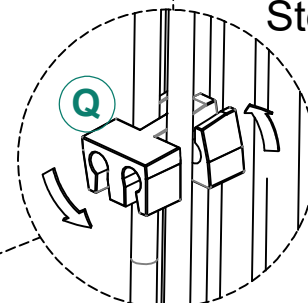
13

Q



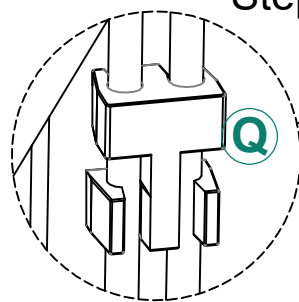
Q

Step 1



Q

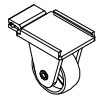
Step 2



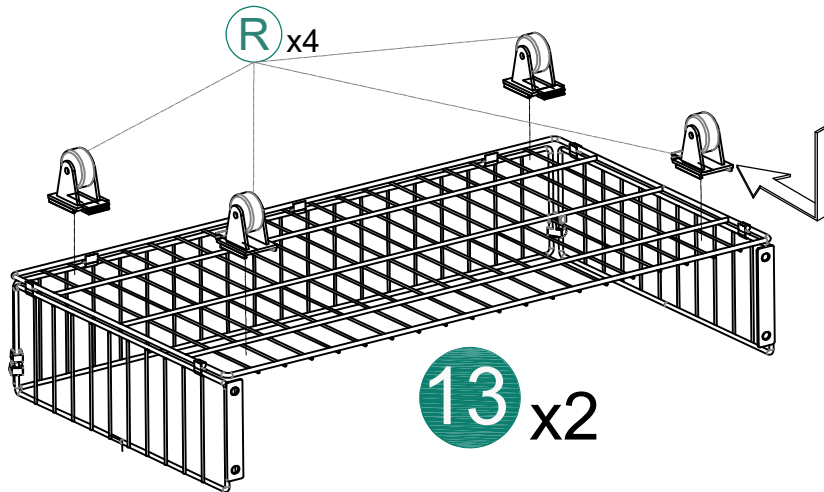
Step 3

Q

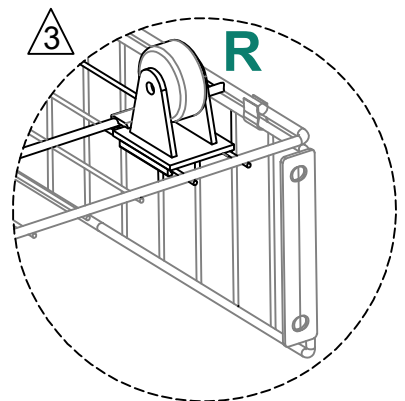
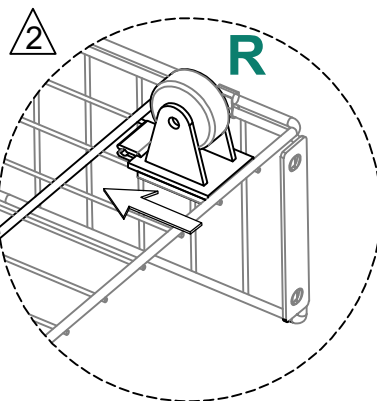
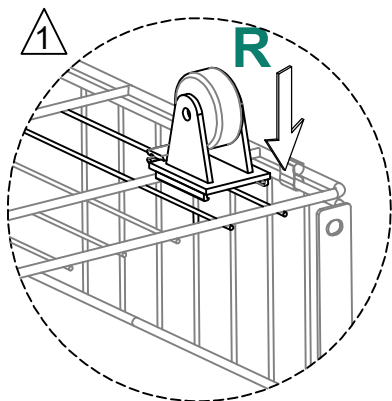
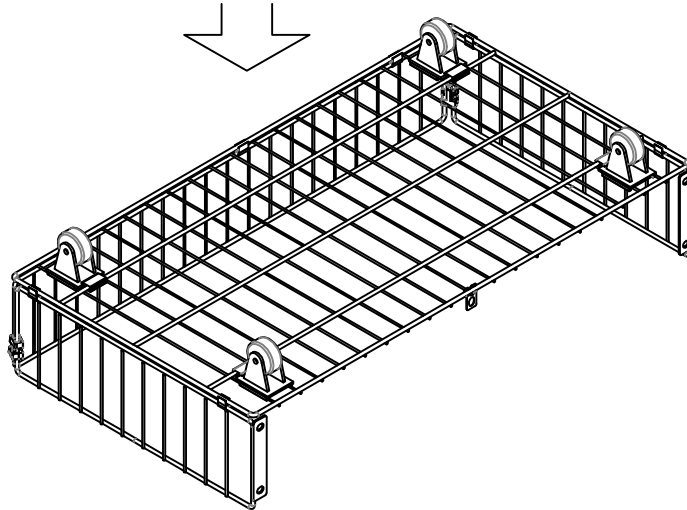
28



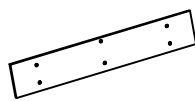
R x8



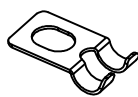
13 x2



29



41 x2



P x2

M6*10



B x10

M6*10(Ø8*5)

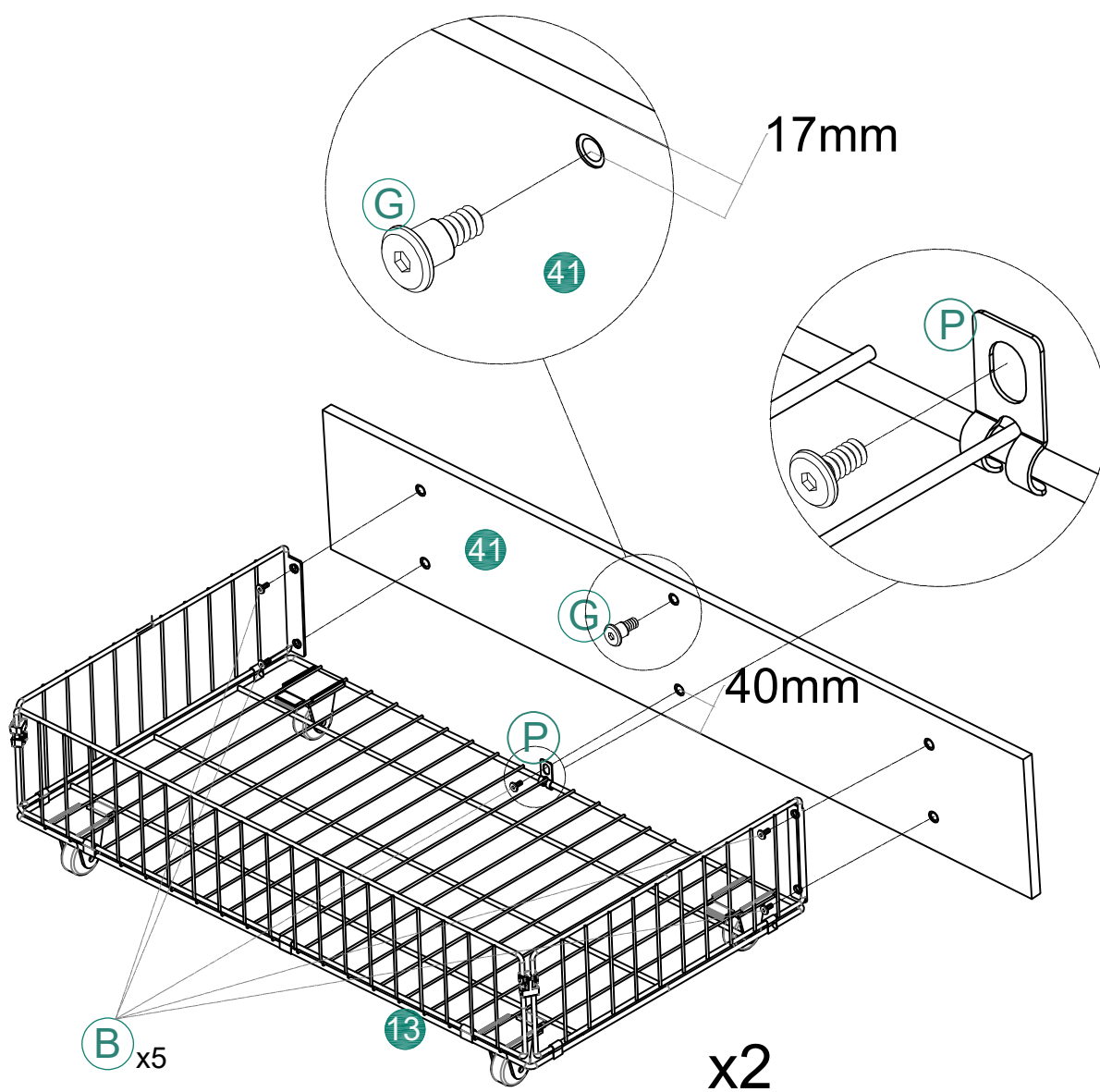


G x2

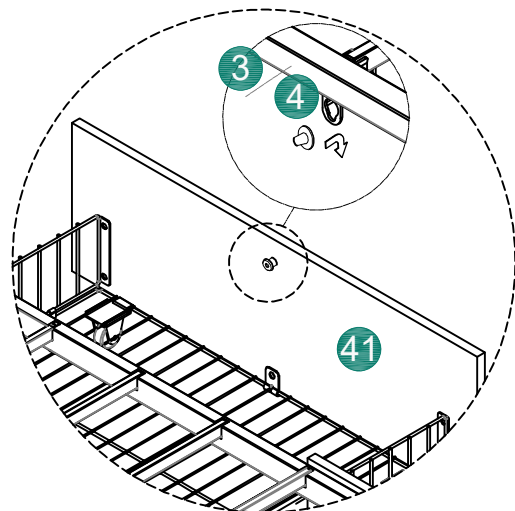
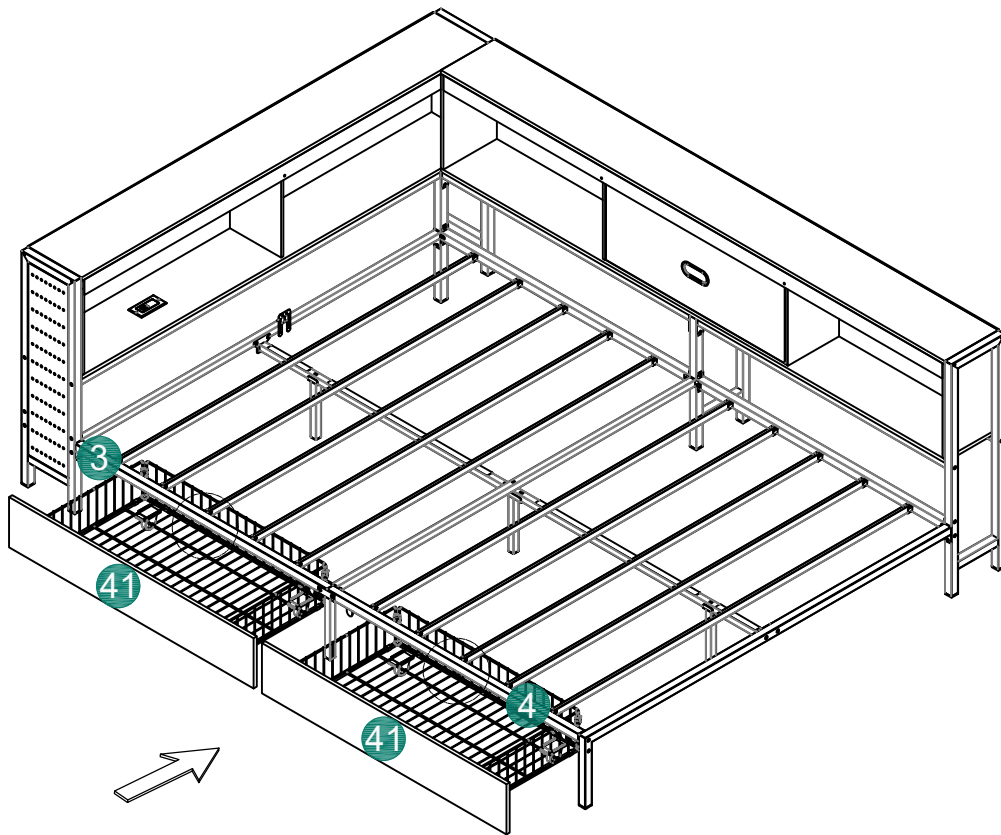
M4



O

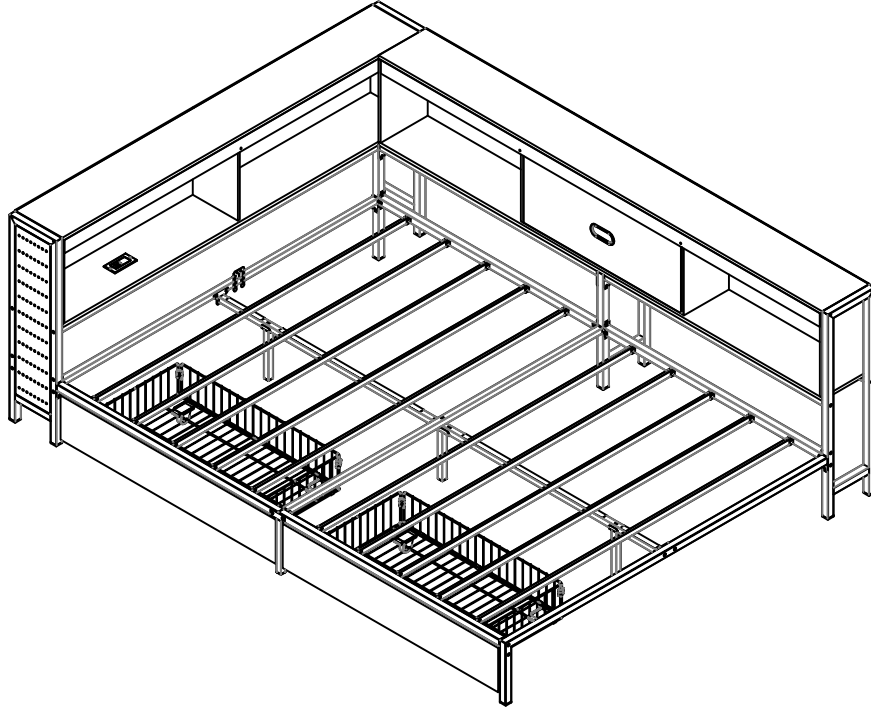


30

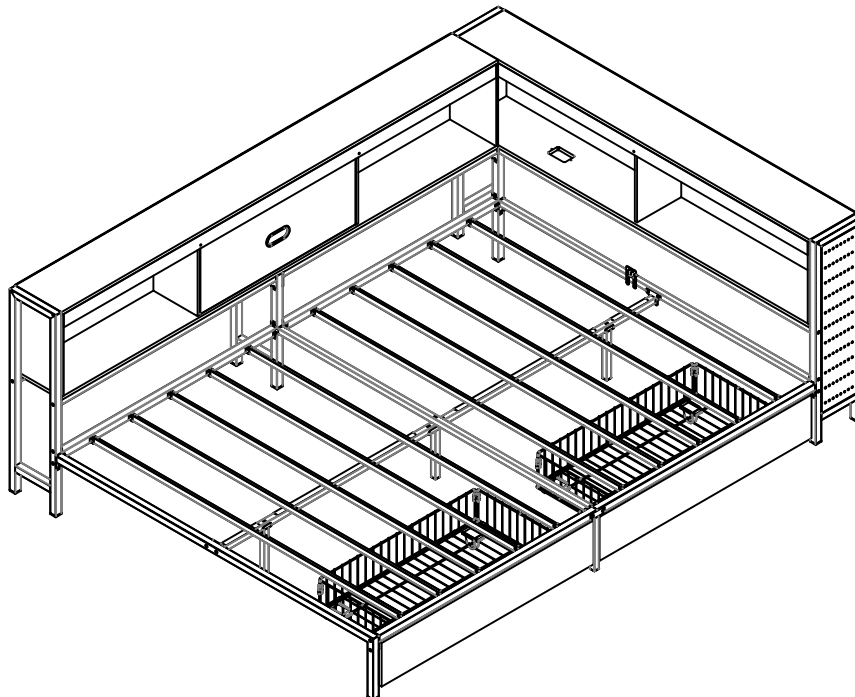


31

Installation Complete

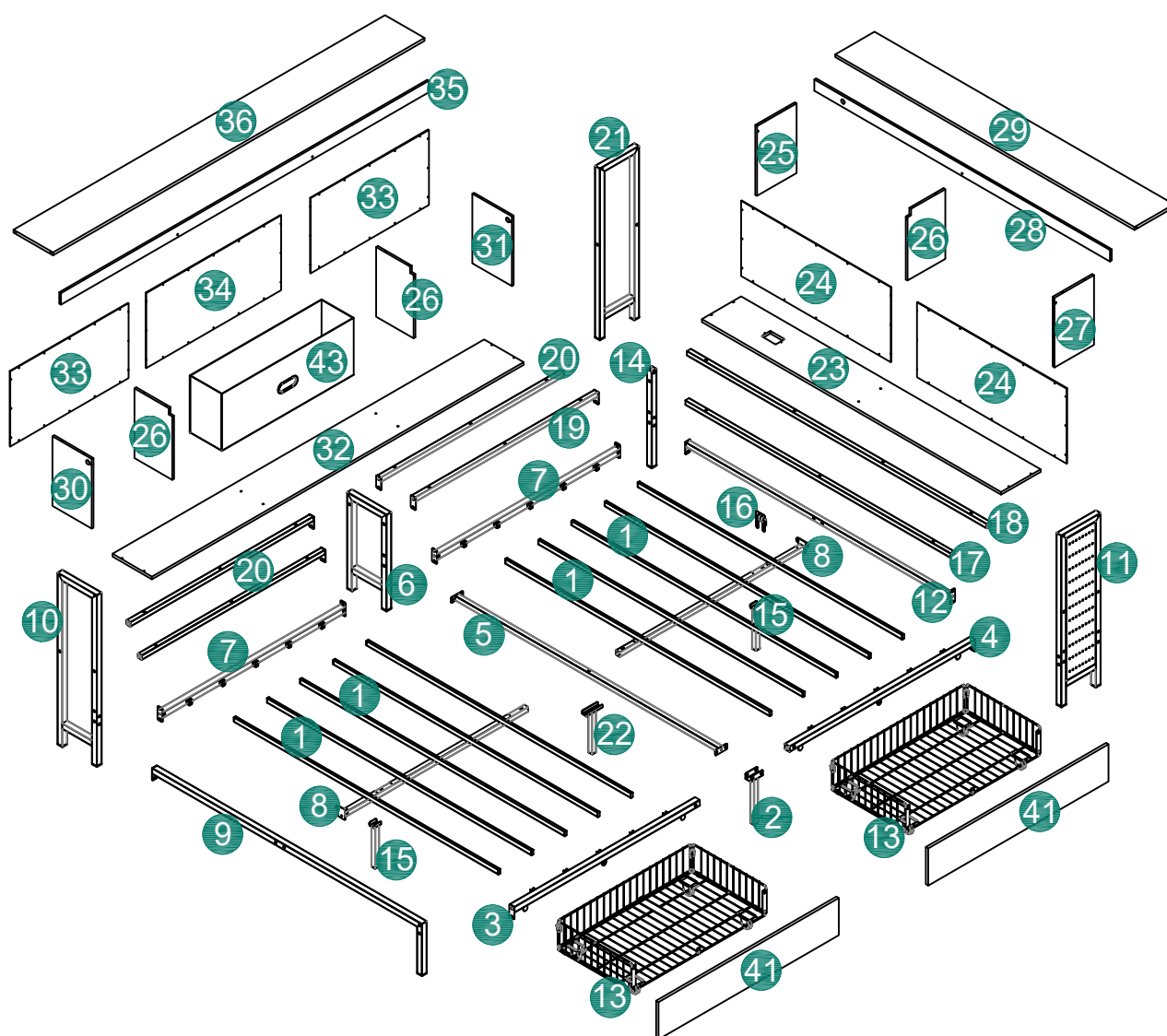


Interchangeable installation on both sides

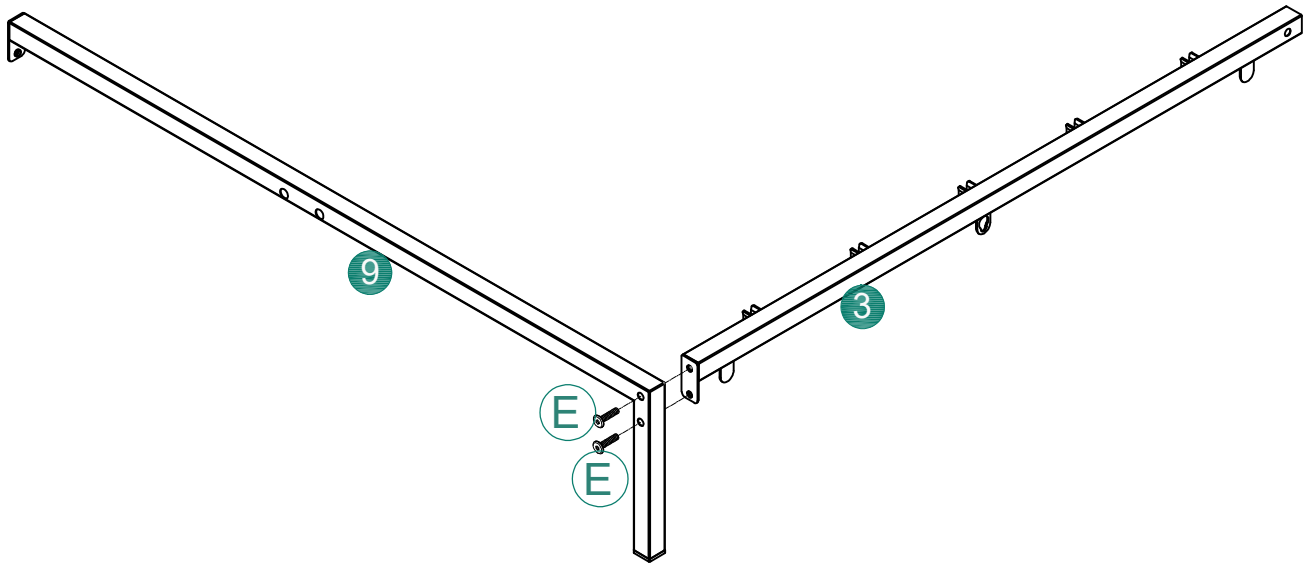
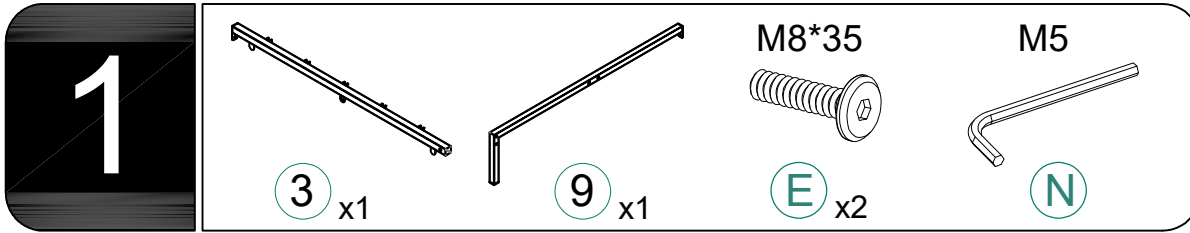


EXPLODED VIEW

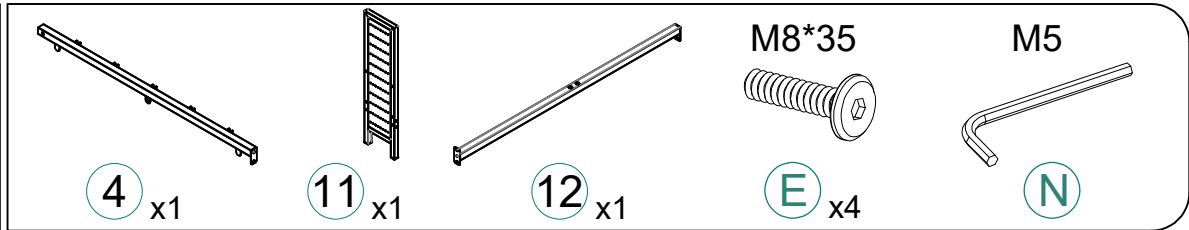
Left side installation



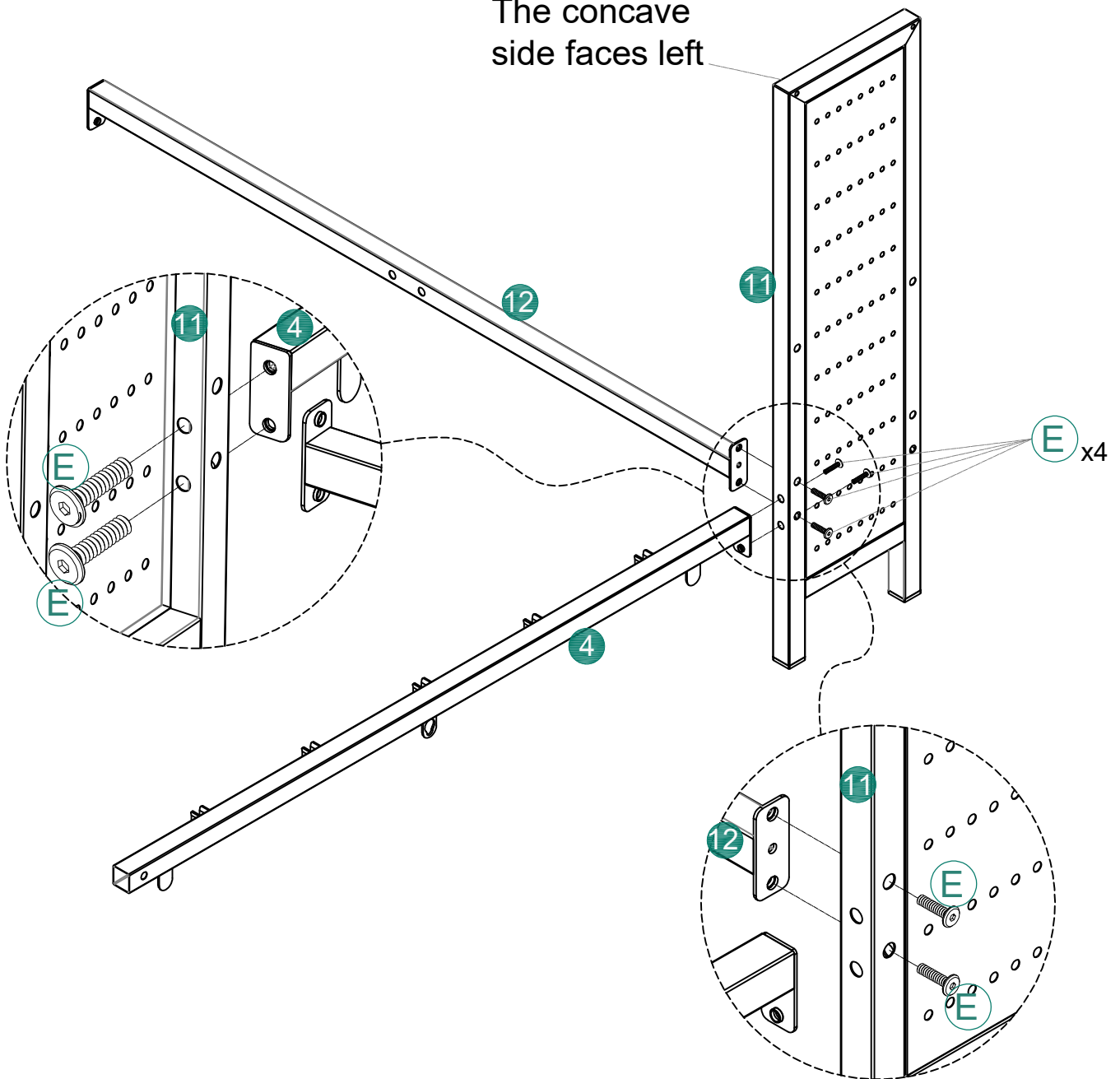
ASSEMBLY



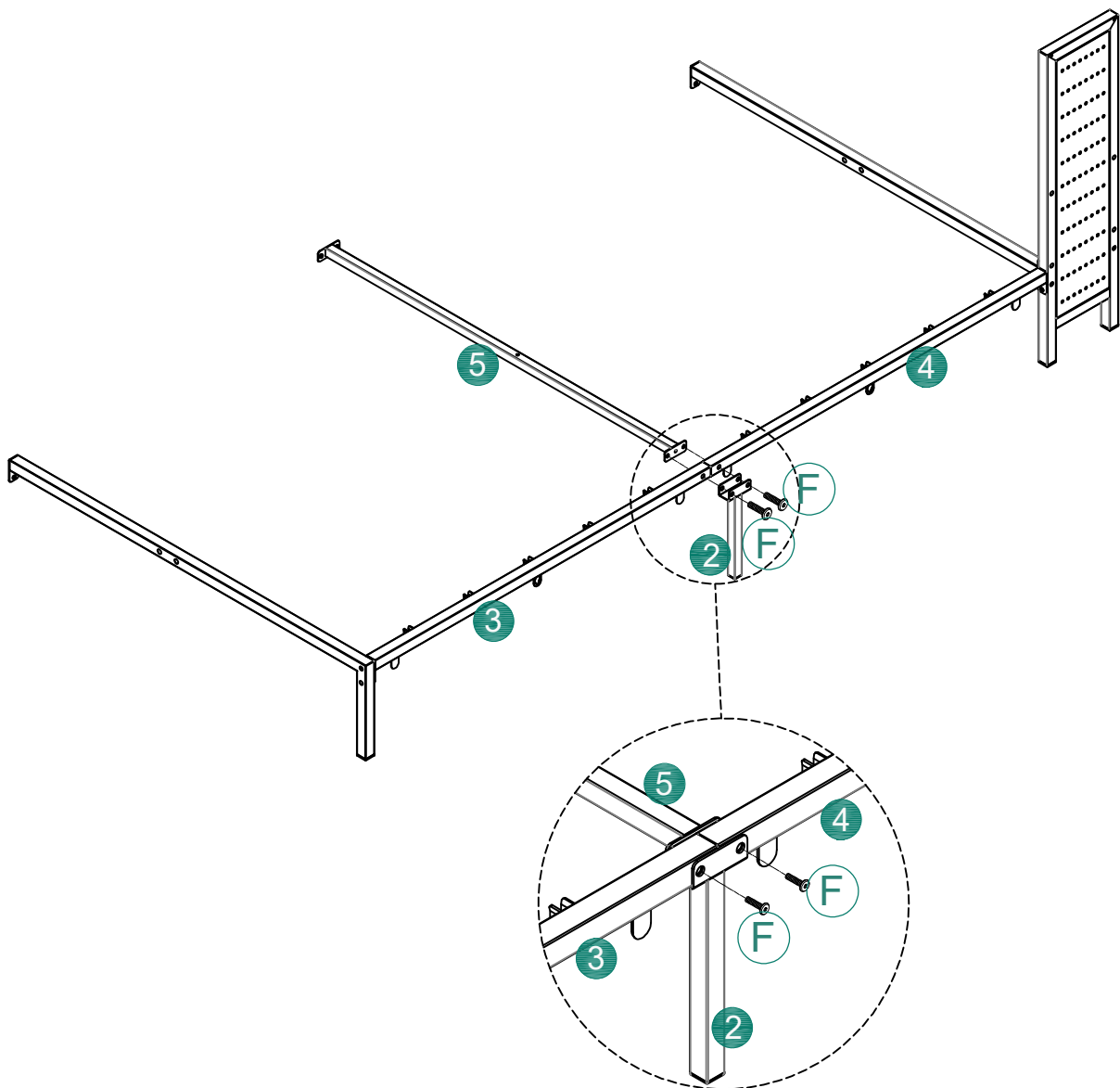
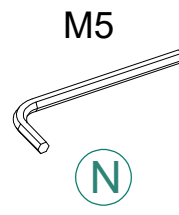
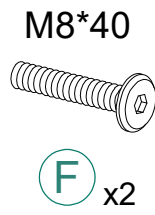
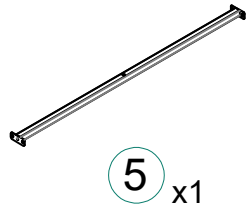
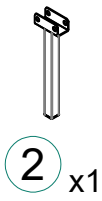
2



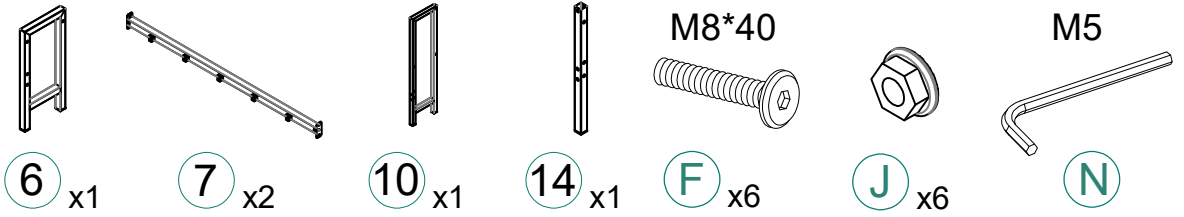
The concave side faces left



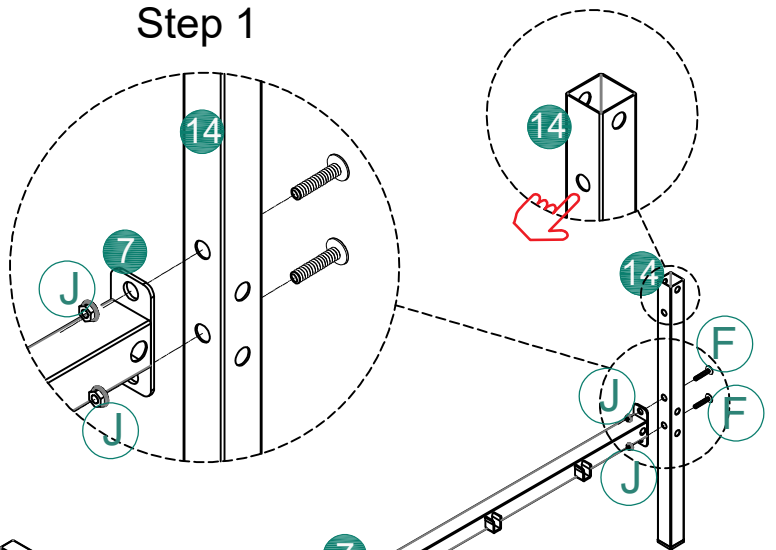
3



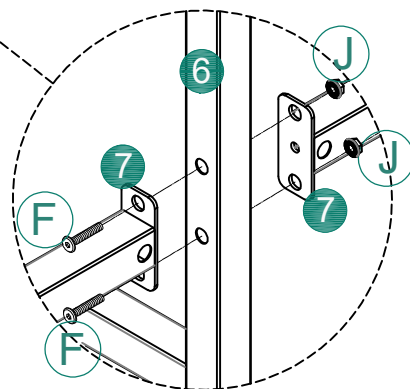
4



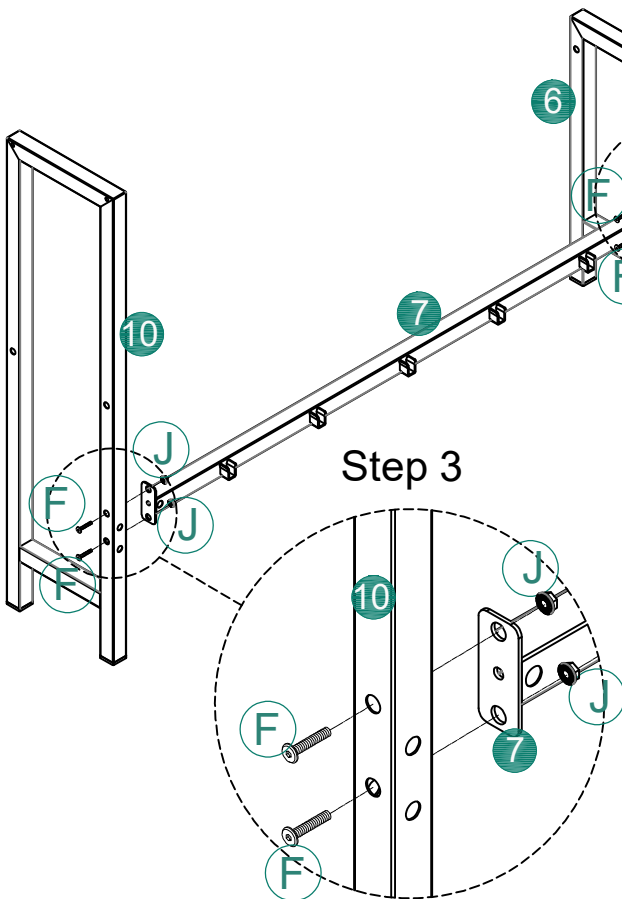
Step 1



Step 2



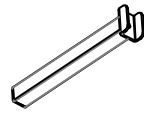
Step 3



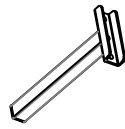
6



8 x2



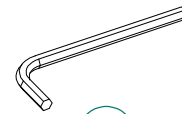
15 x2



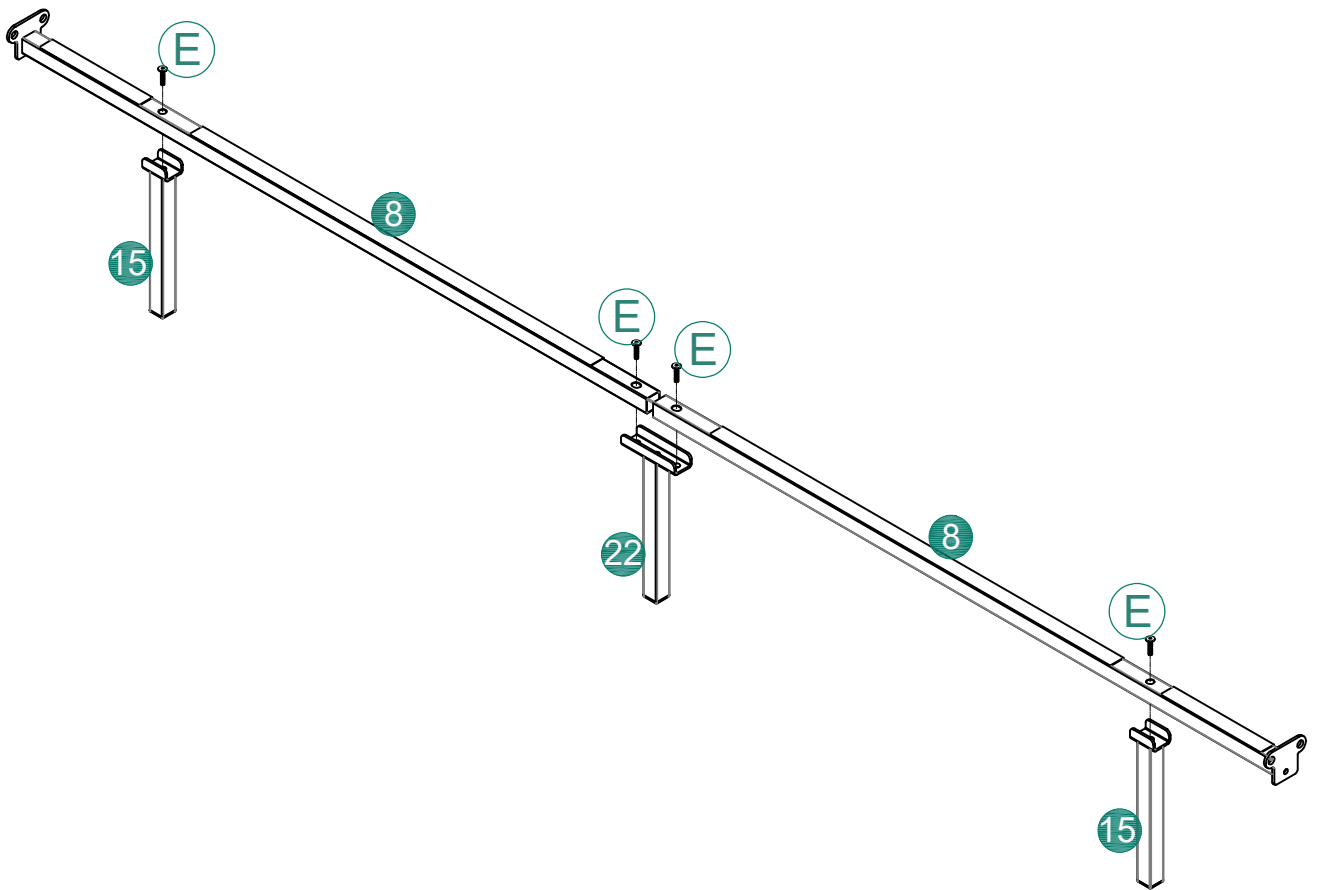
22 x1



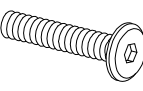
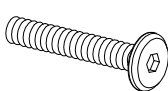

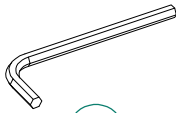
M8*35
E x4

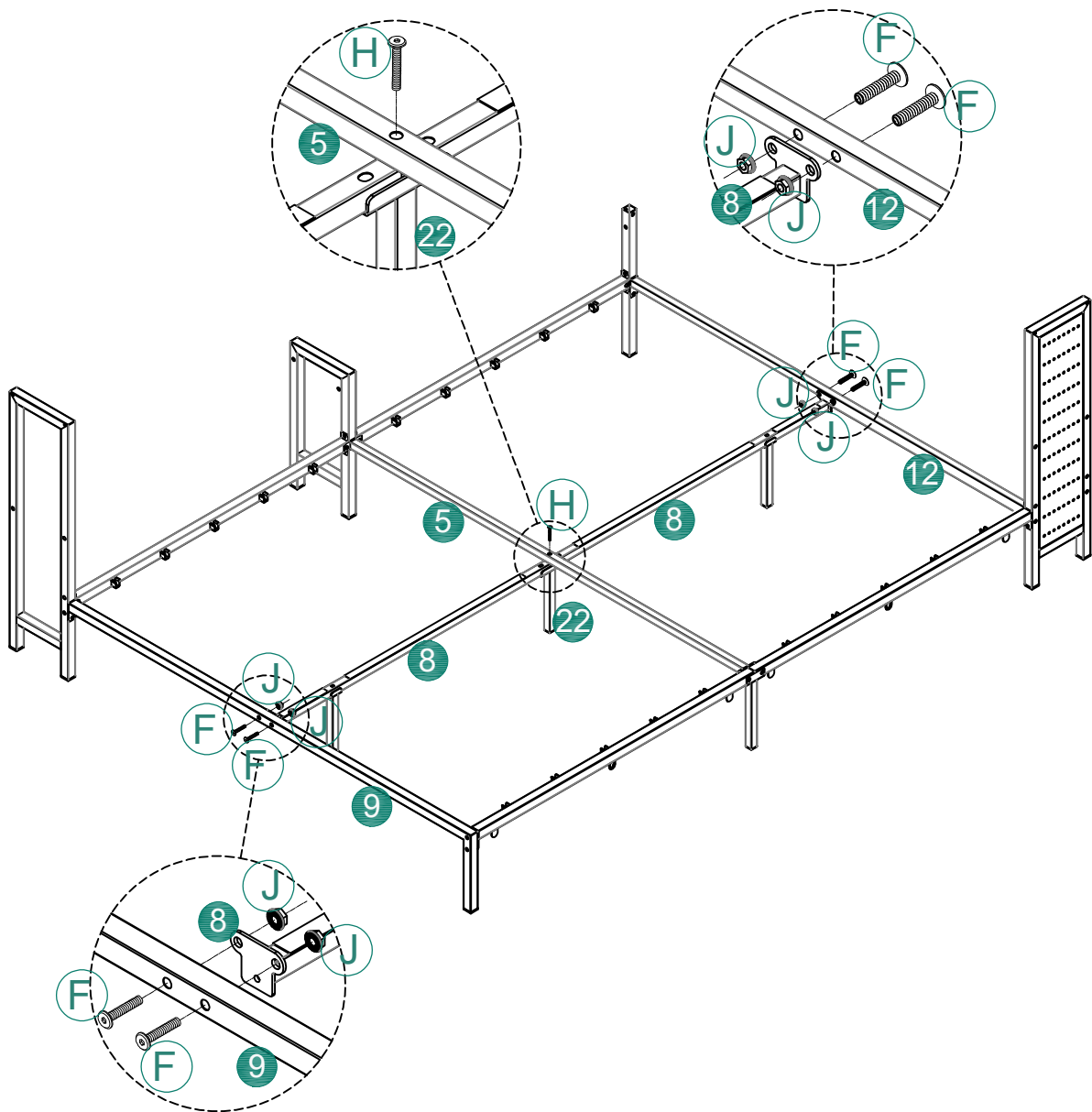


M5
N

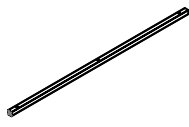


7

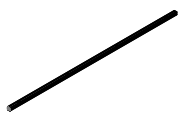
M8*40	M8*50		M5
			
(F) x4	(H) x1	(J) x4	(N)



8



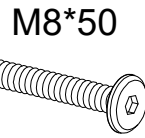
17 x1



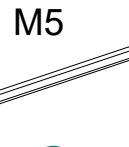
18 x1



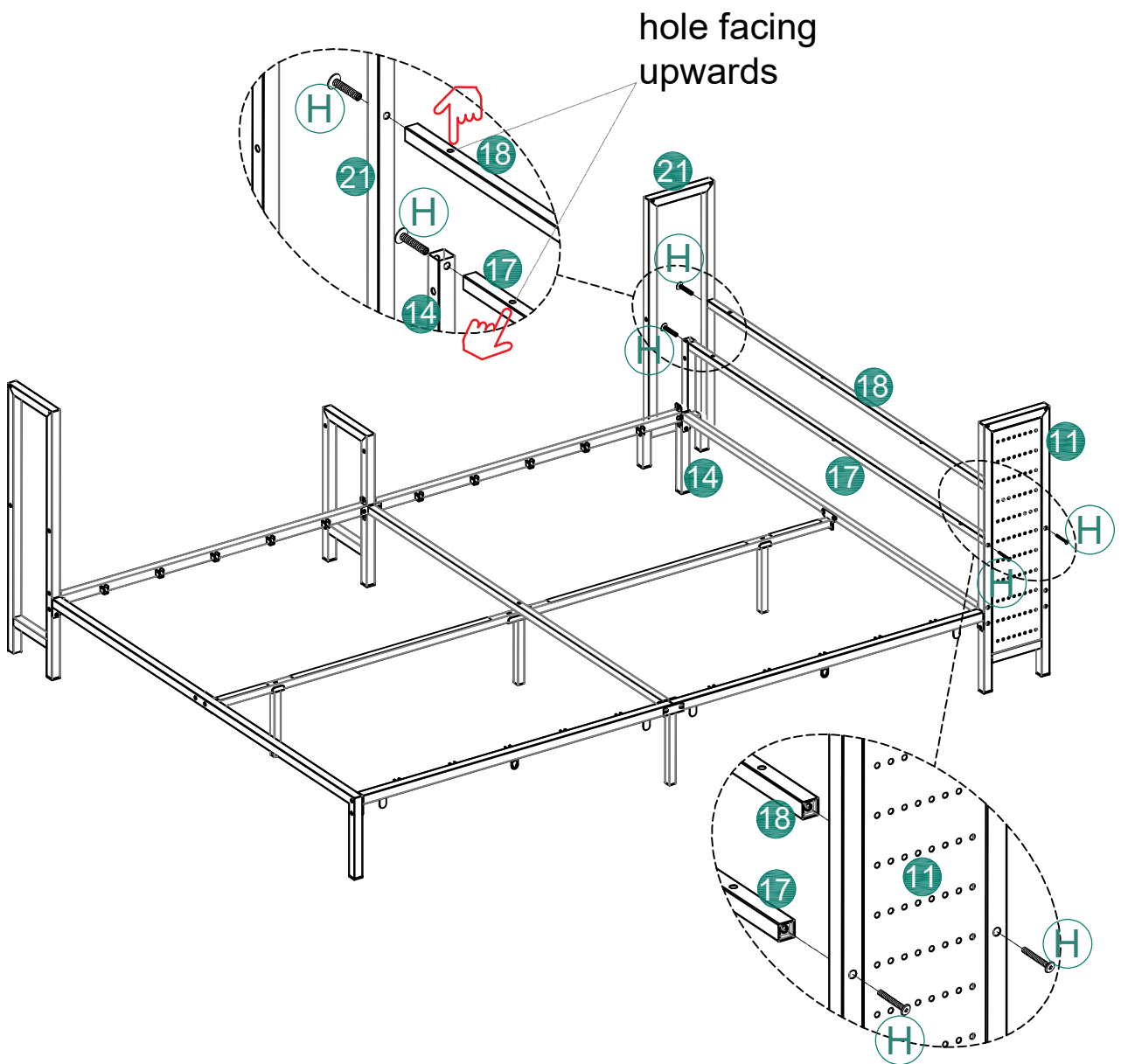
21 x1



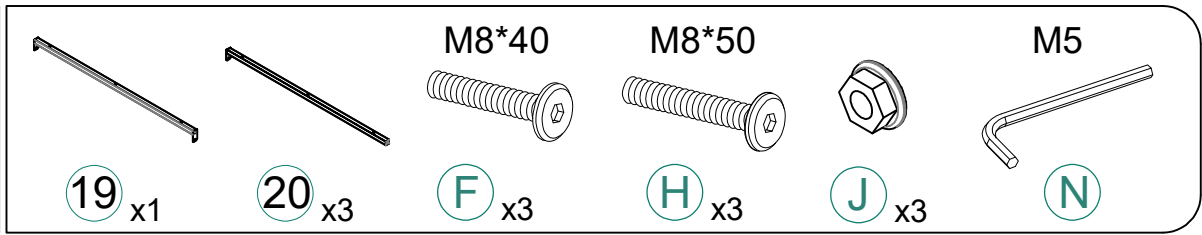
H x4



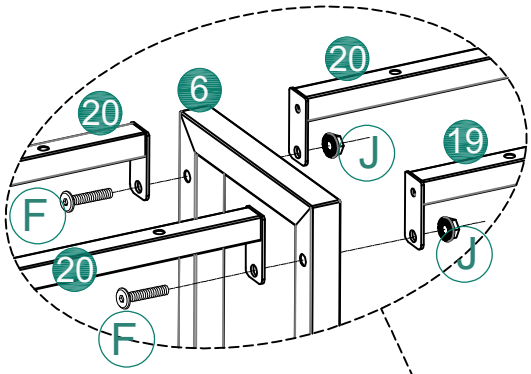
N



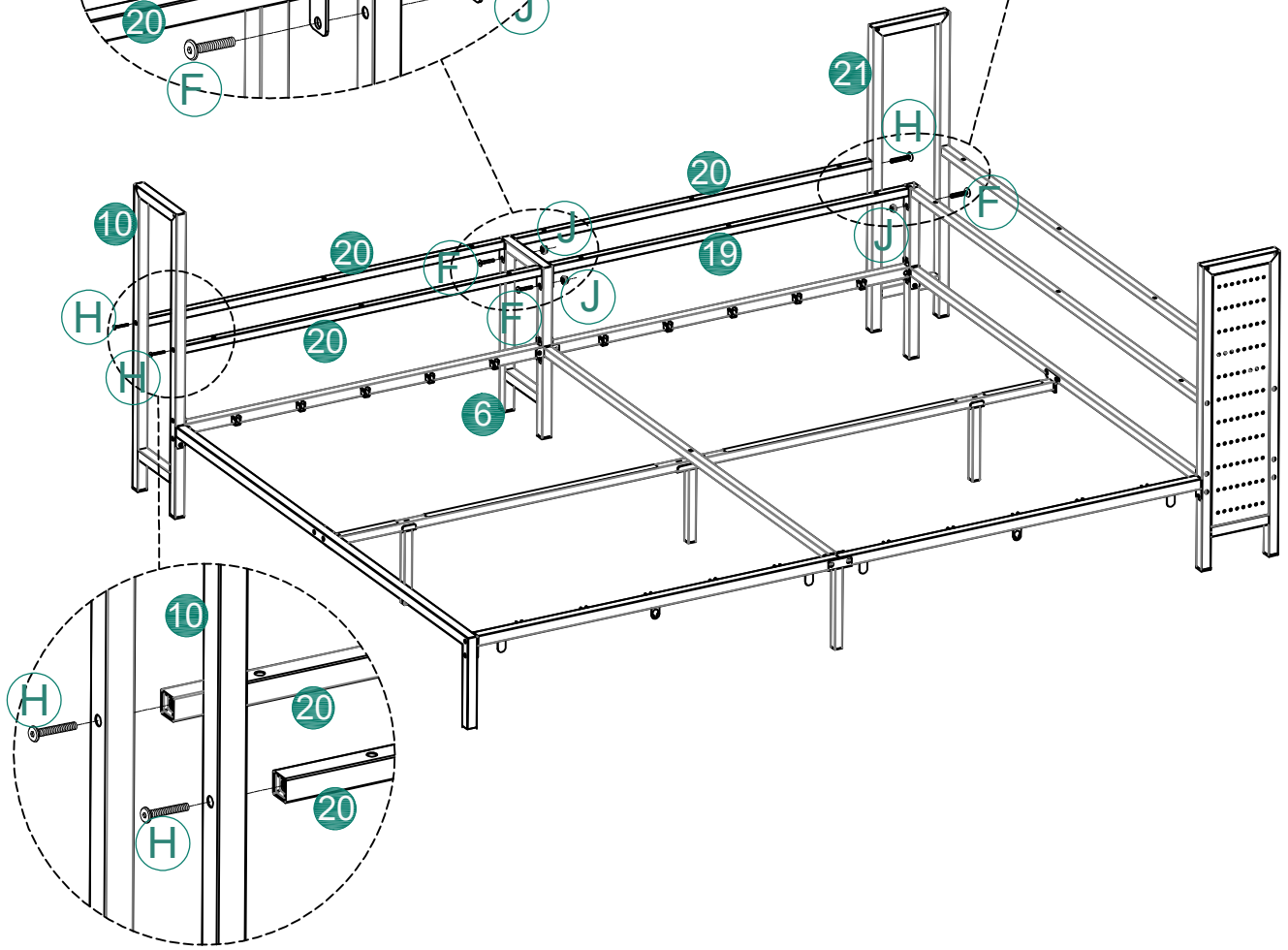
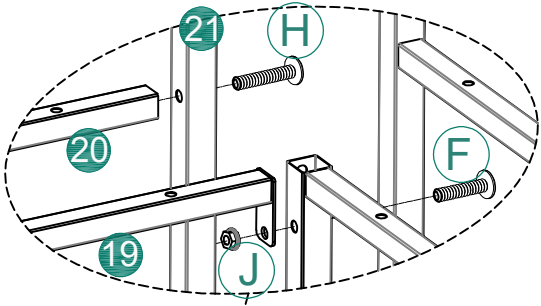
9



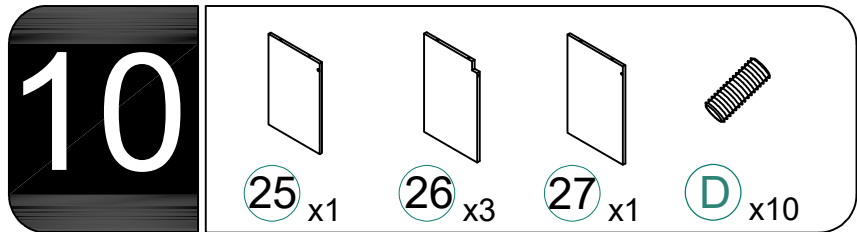
Step 2



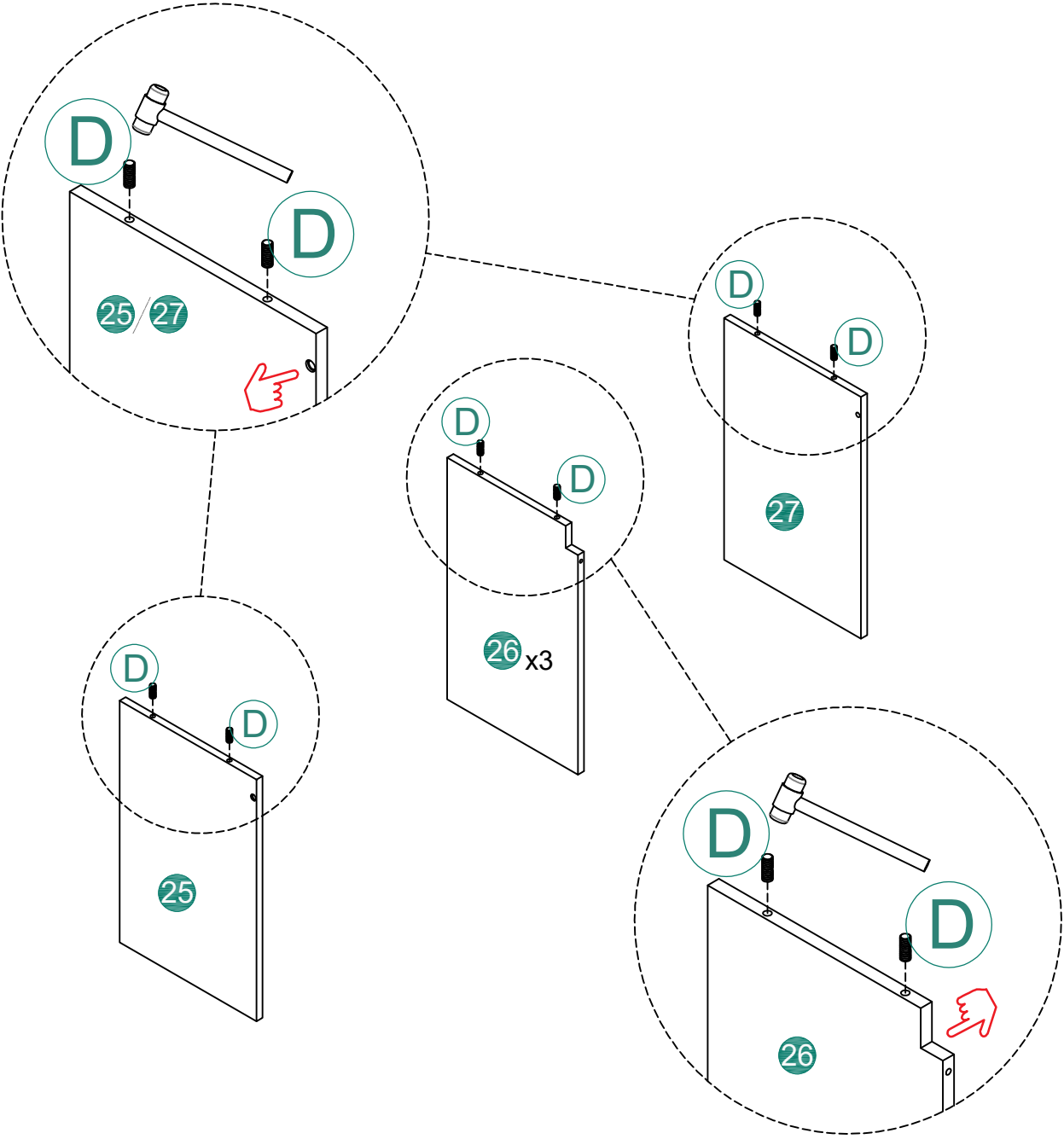
Step 3

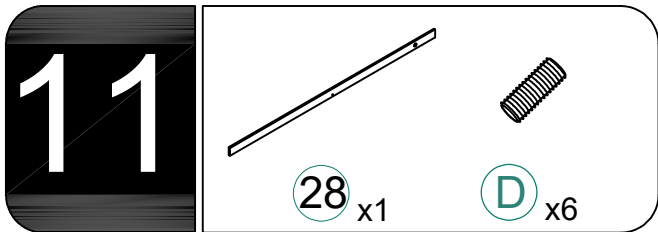


Step 1

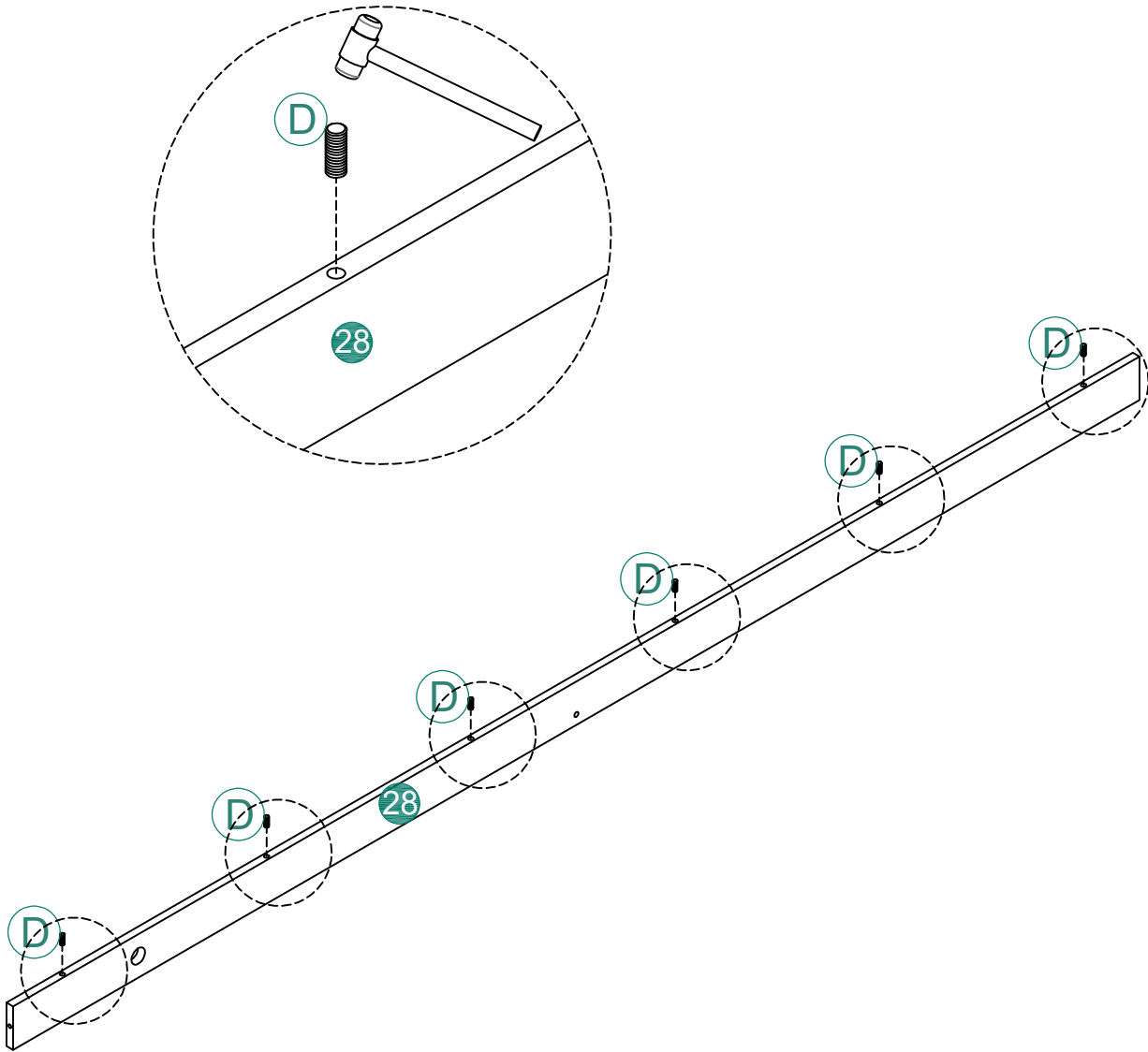


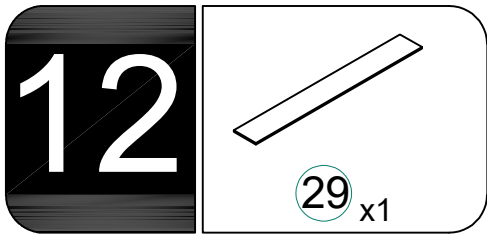
Tap gently with a rubber hammer, be careful not to hurt your fingers



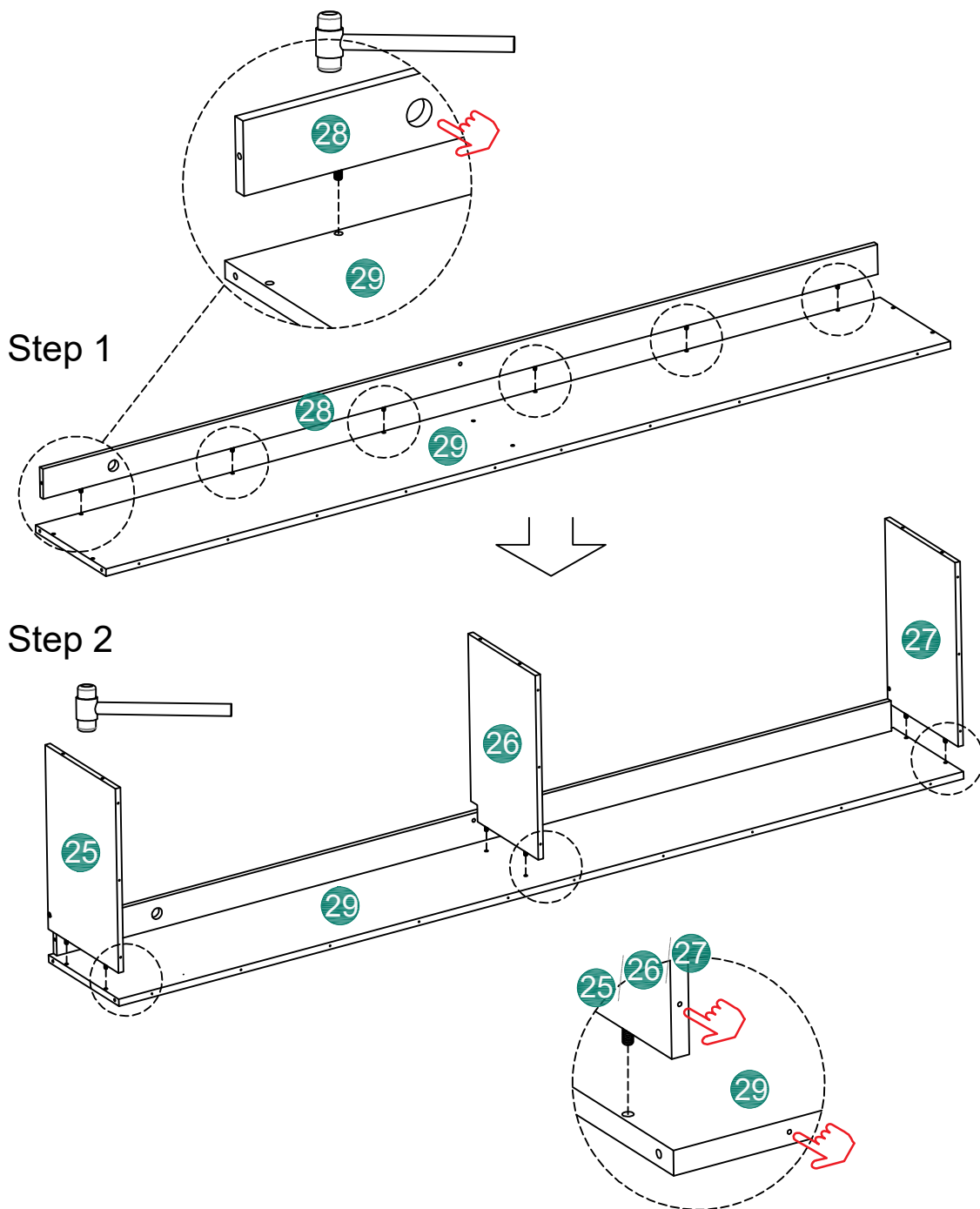


Tap gently with a rubber hammer, be careful not to hurt your fingers

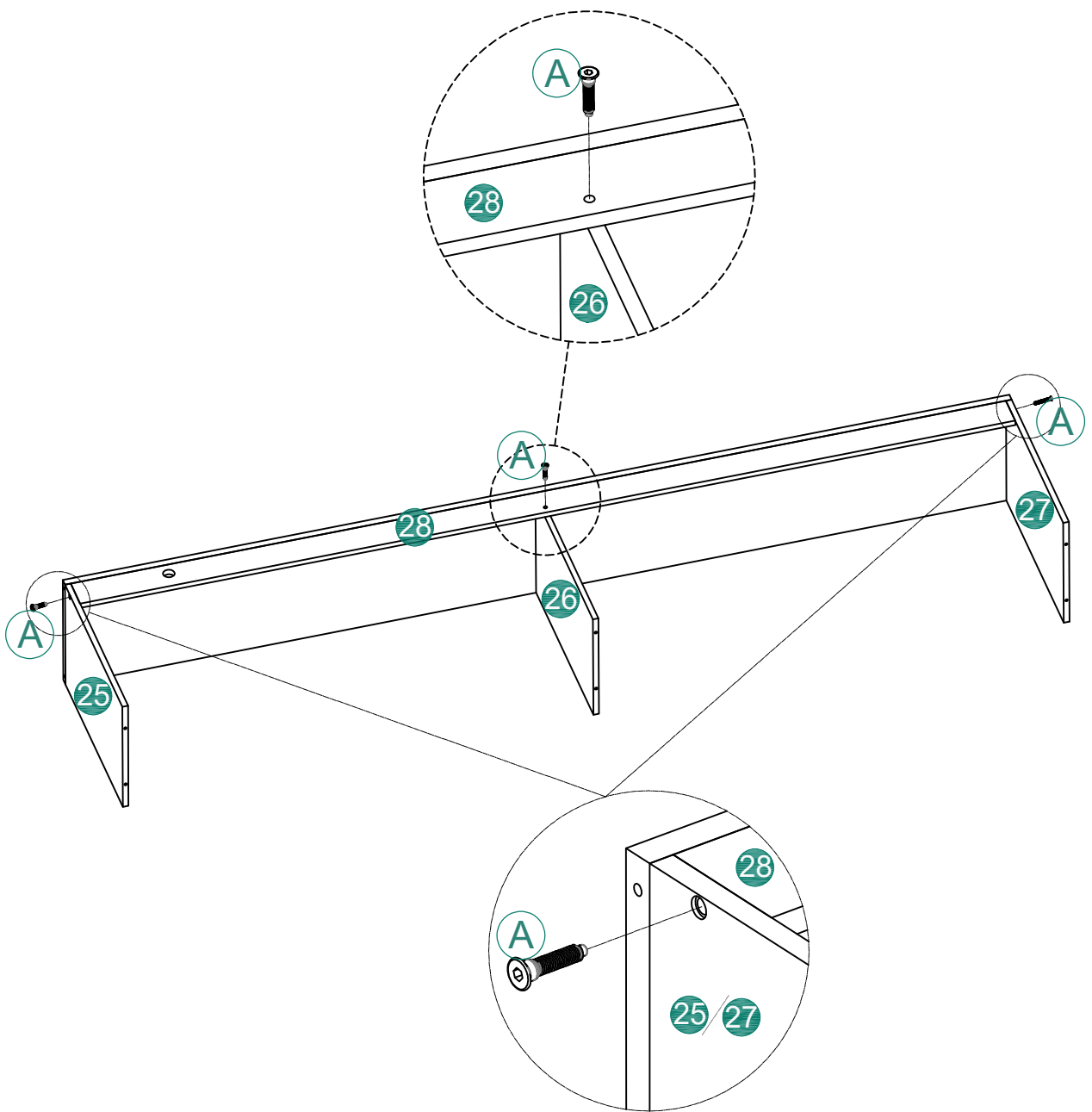
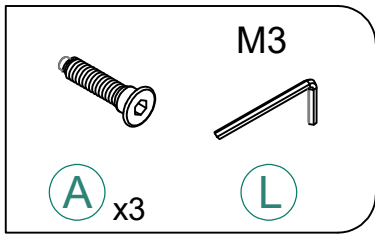




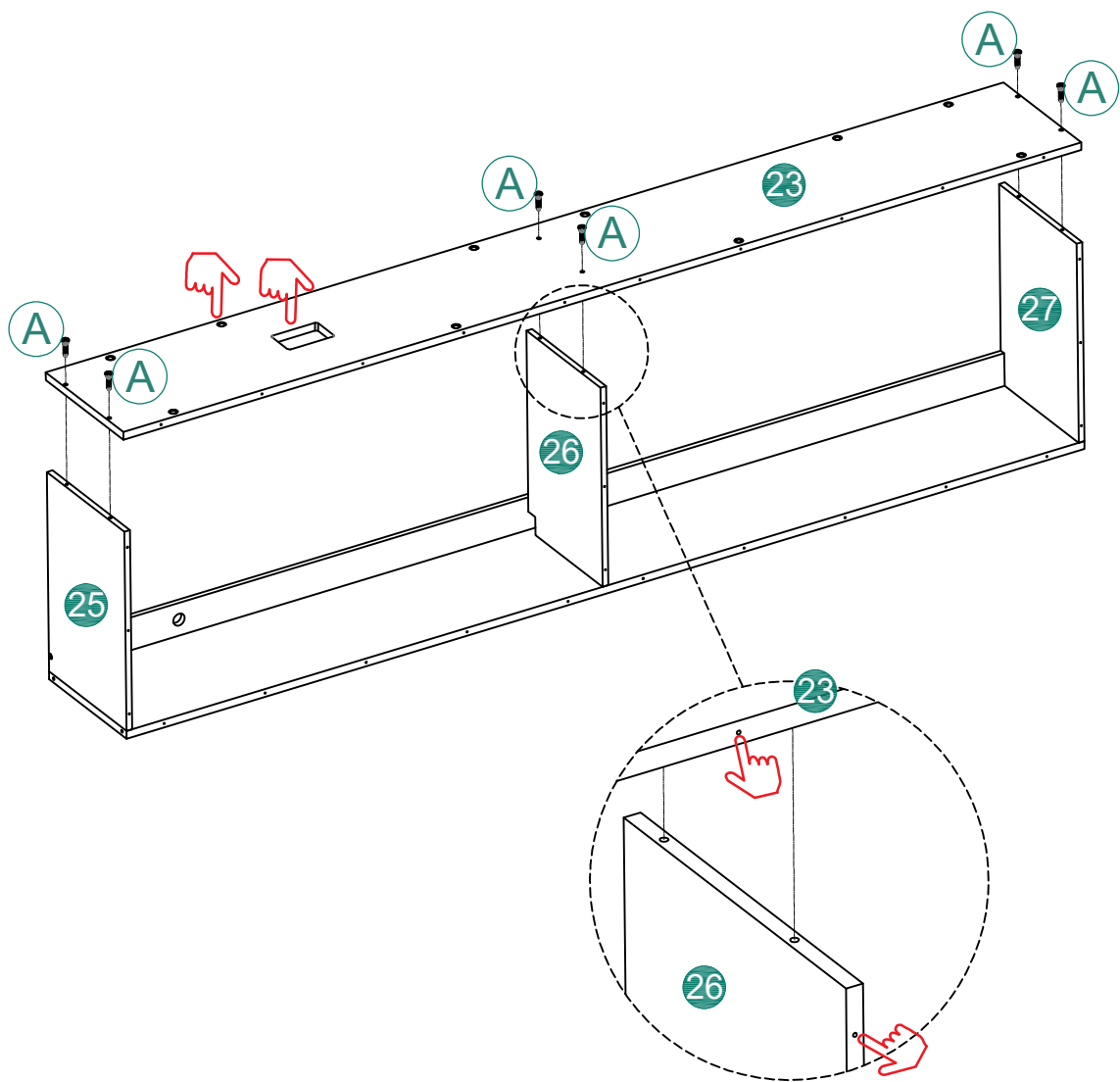
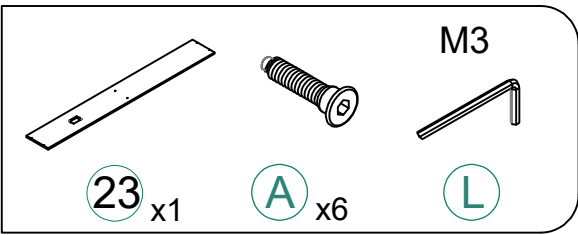
Use a glue hammer to lightly tap different areas on the wooden board



13

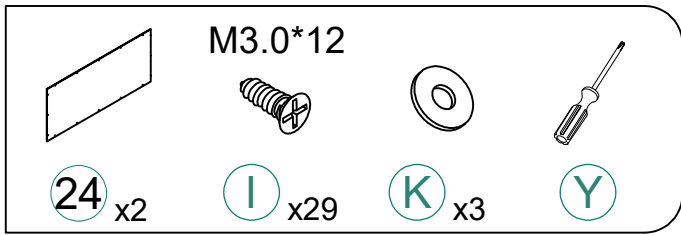


14



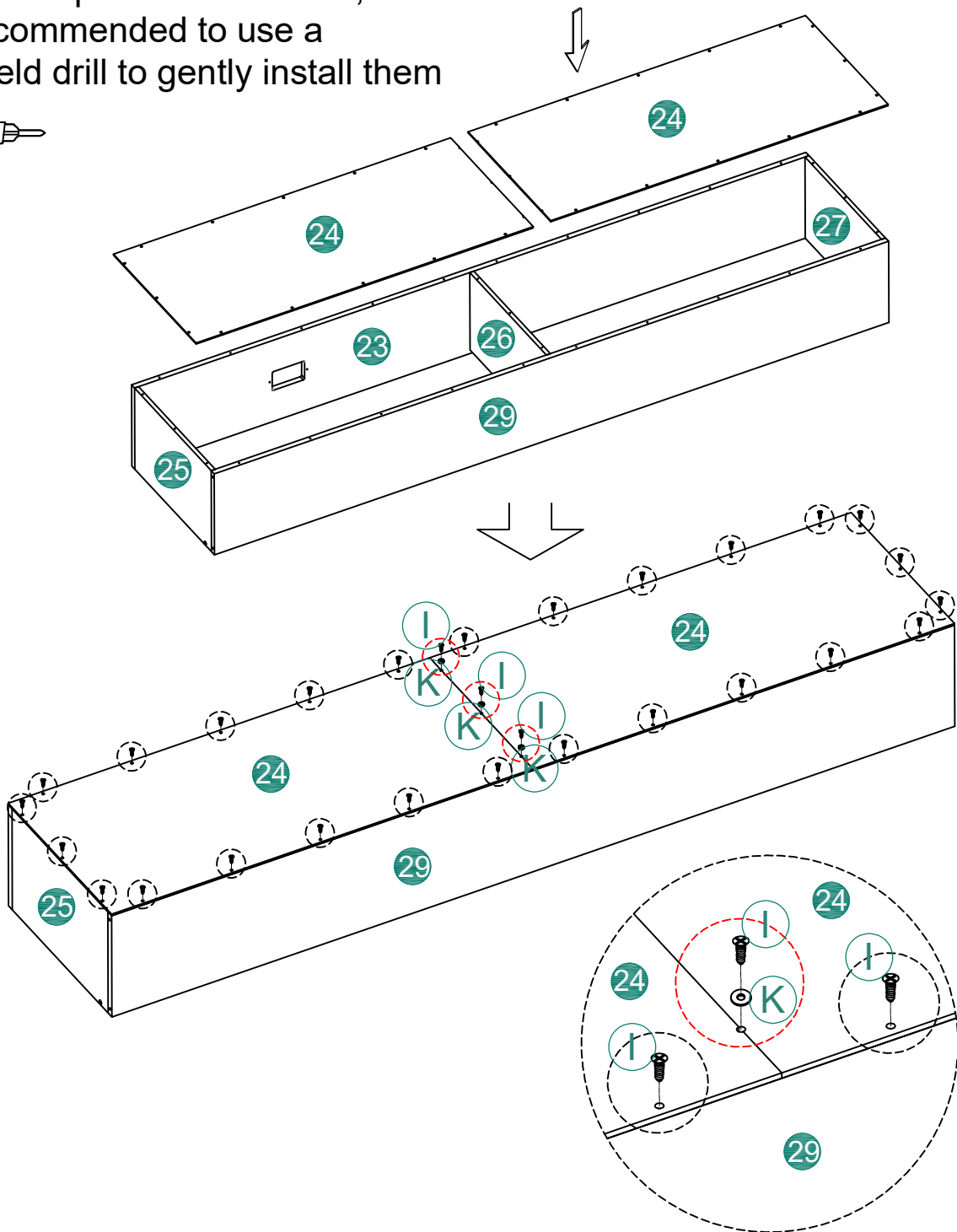
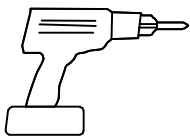
15

M3.0*12

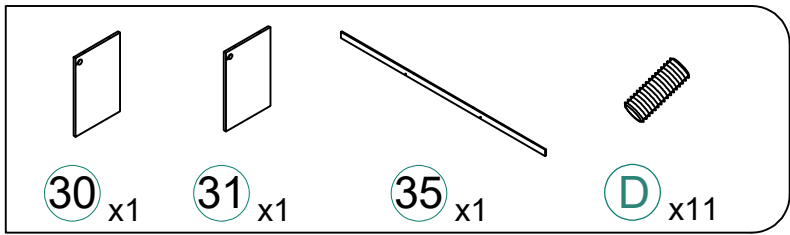


- 24 x2
- I x29
- K x3
- Y

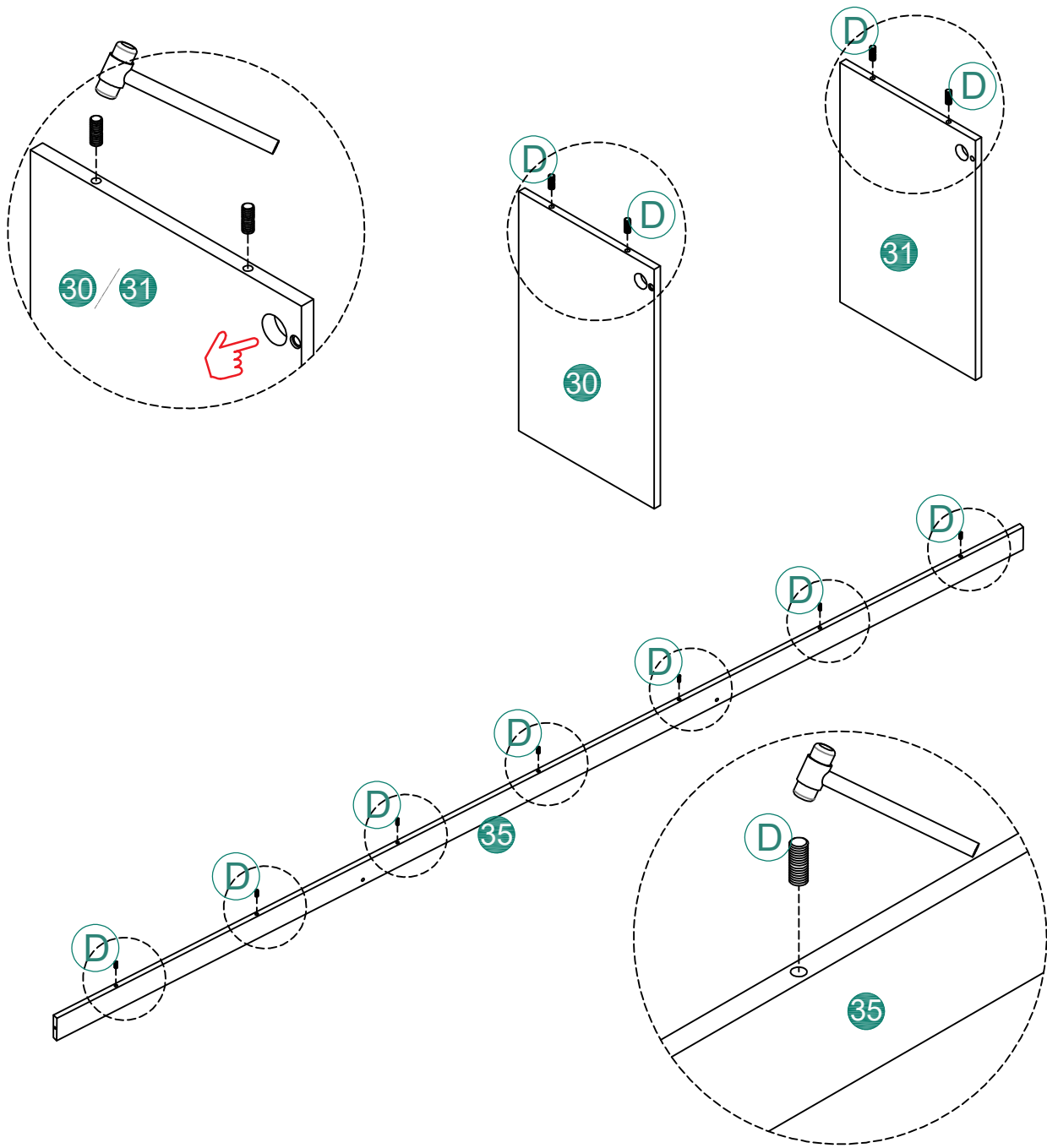
There are quite a few screws, it is recommended to use a handheld drill to gently install them

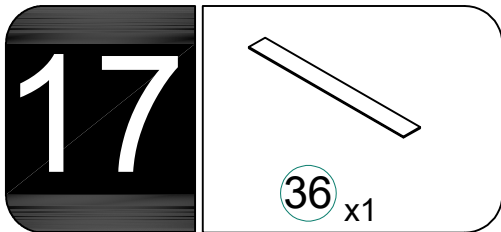


16

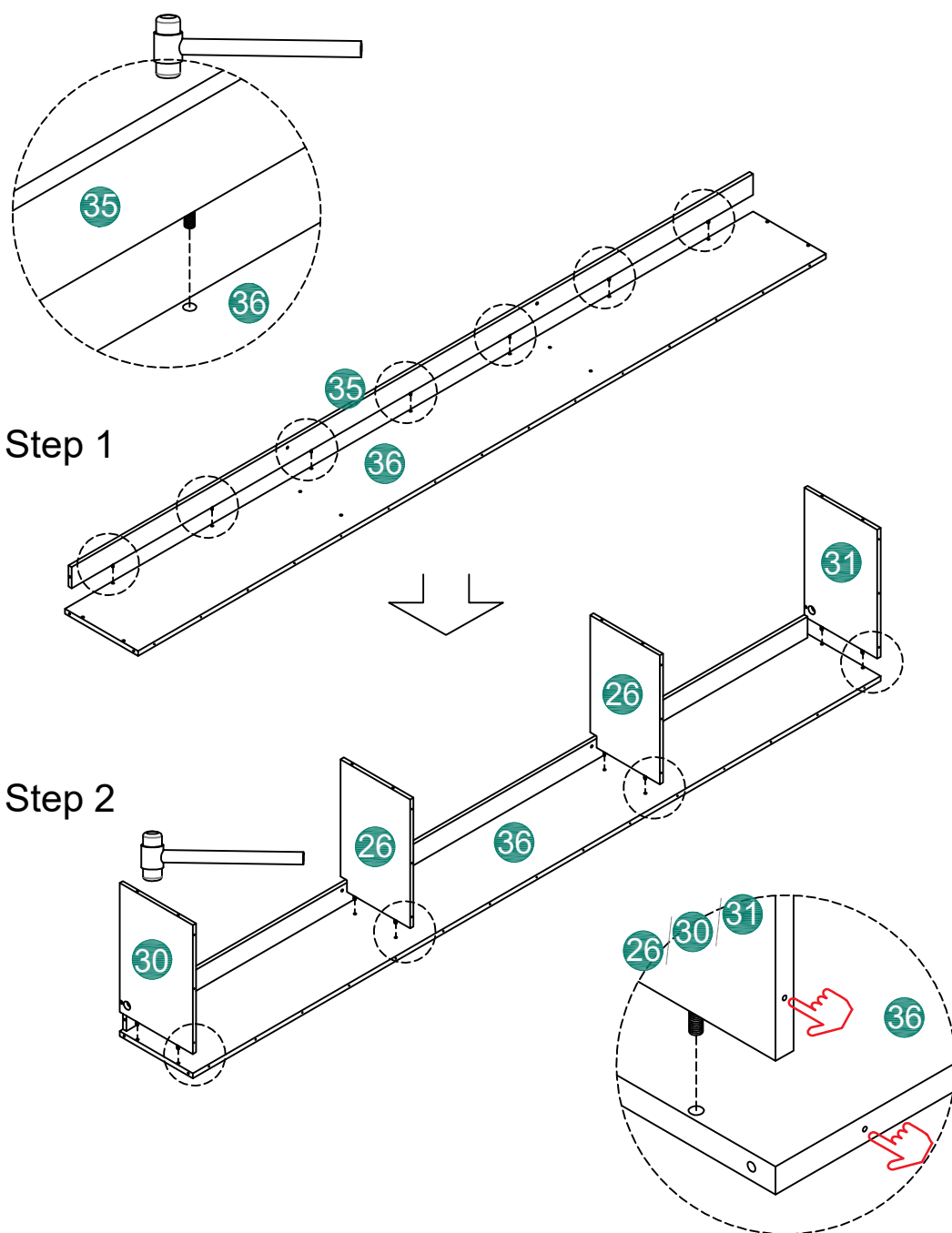


Tap gently with a rubber hammer, be careful not to hurt your fingers

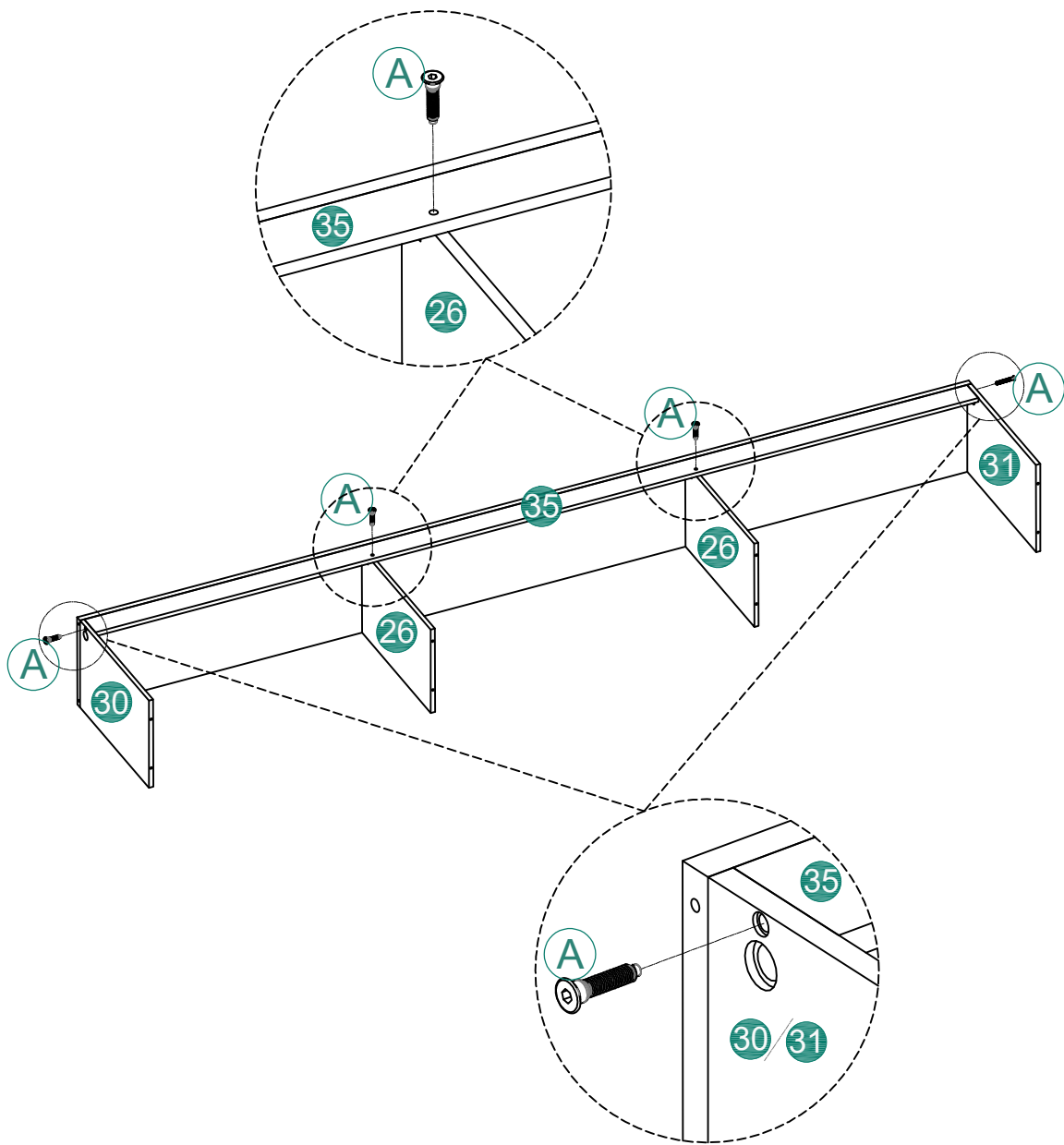
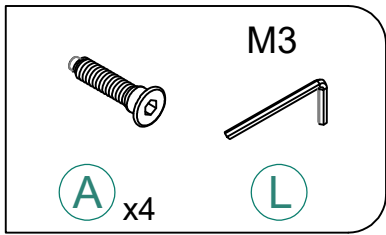




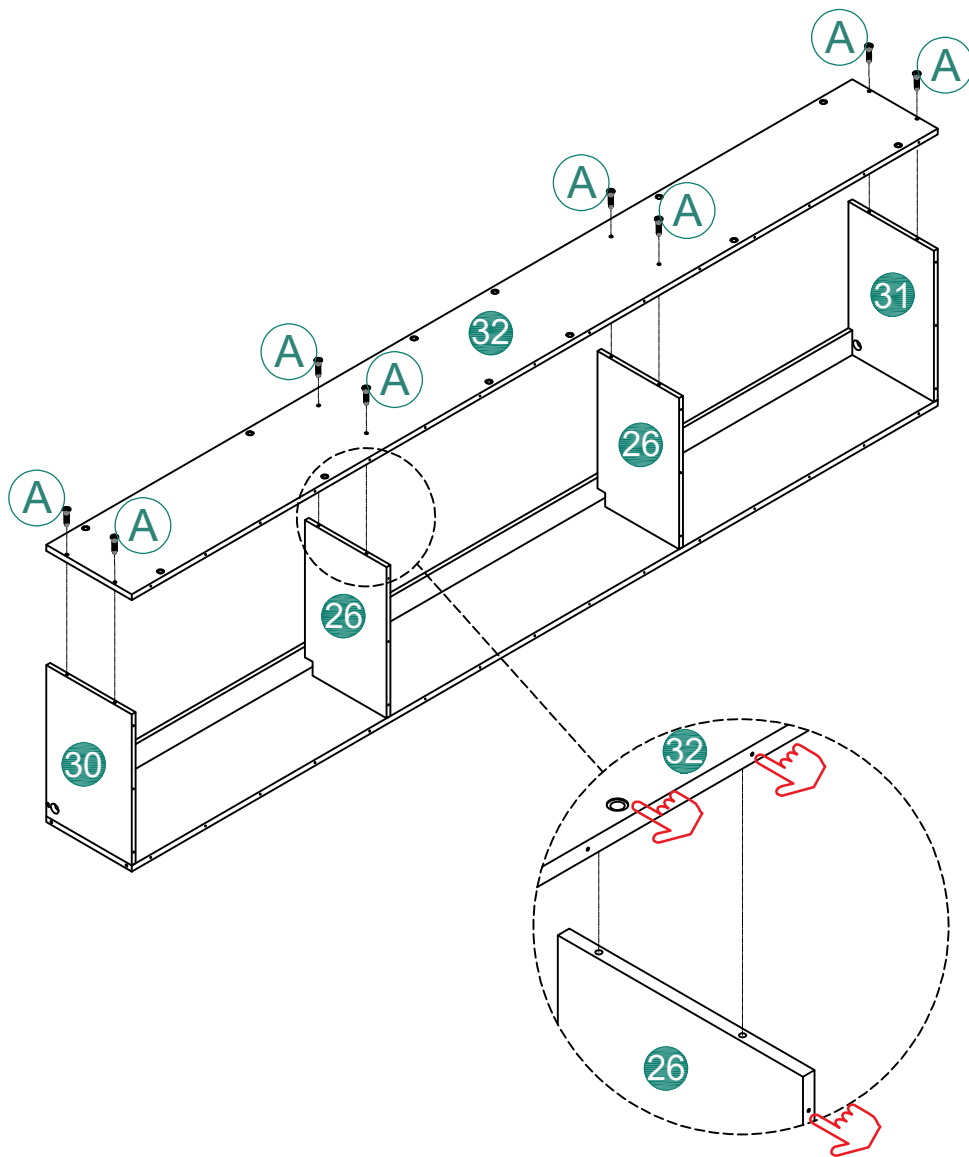
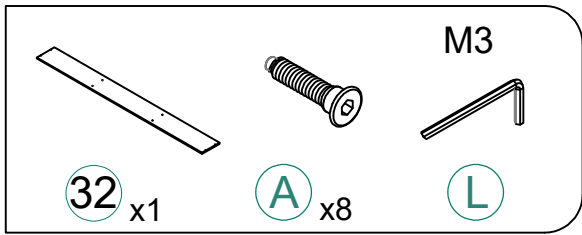
Use a glue hammer to lightly tap different areas on the wooden board



18



19

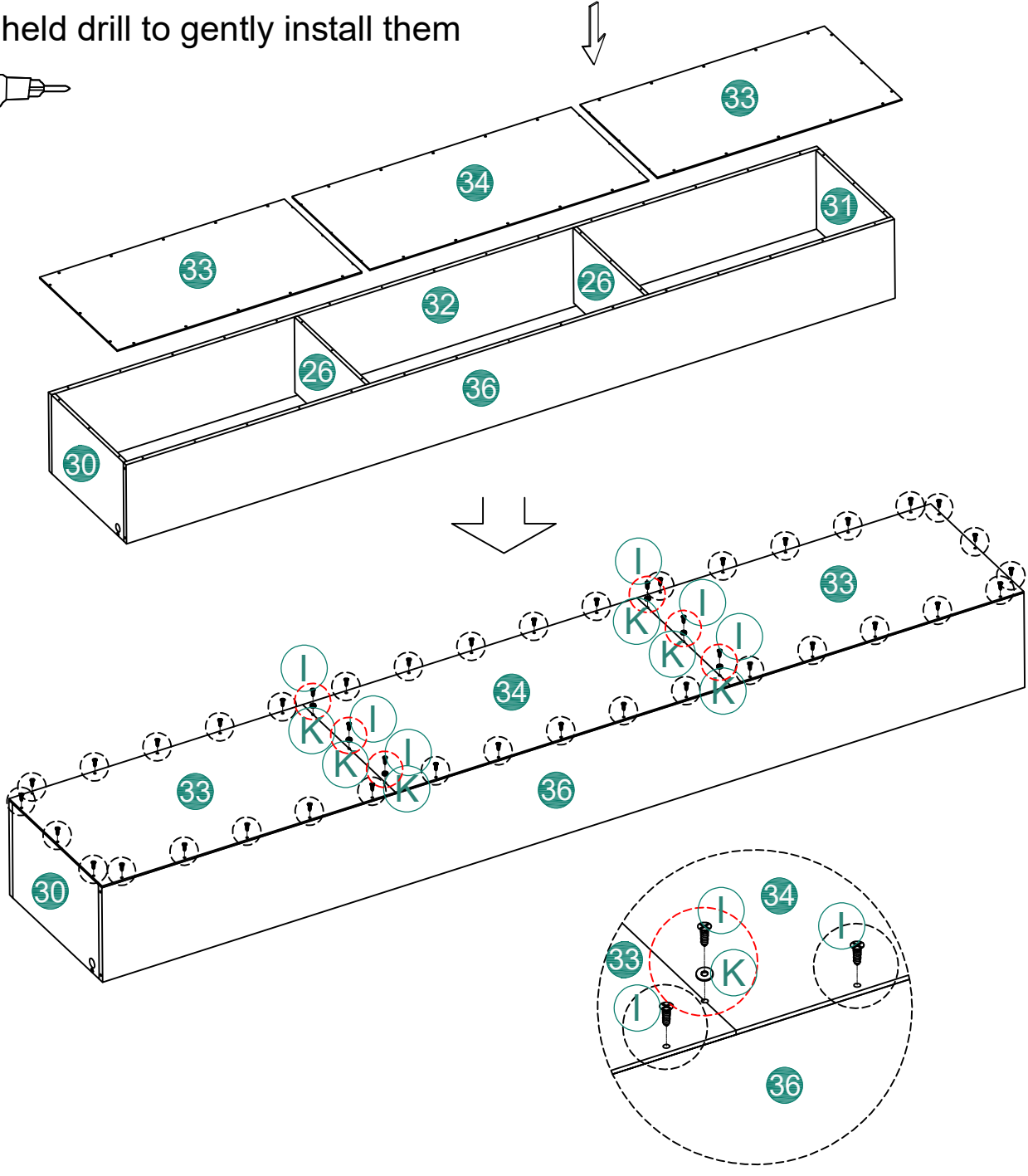
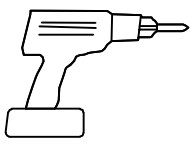


20

M3.0*12

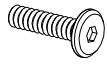
- 33 x2
- 34 x1
- I x42
- K x6
- Y

There are quite a few screws,
it is recommended to use a
handheld drill to gently install them



21

M6*30

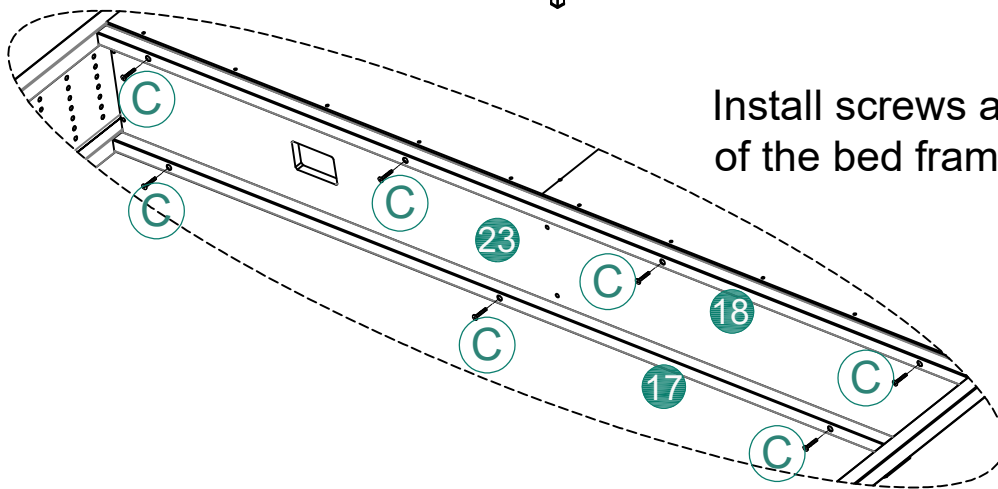
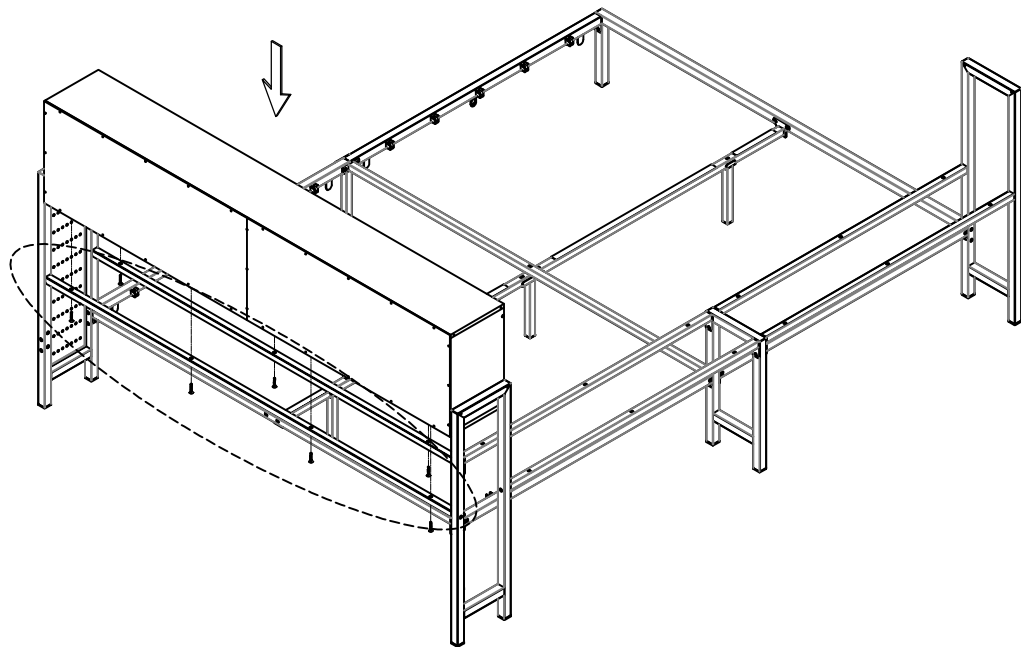


(C) x7

M4



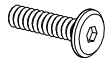
(O)



Install screws at the bottom of the bed frame

22

M6*30

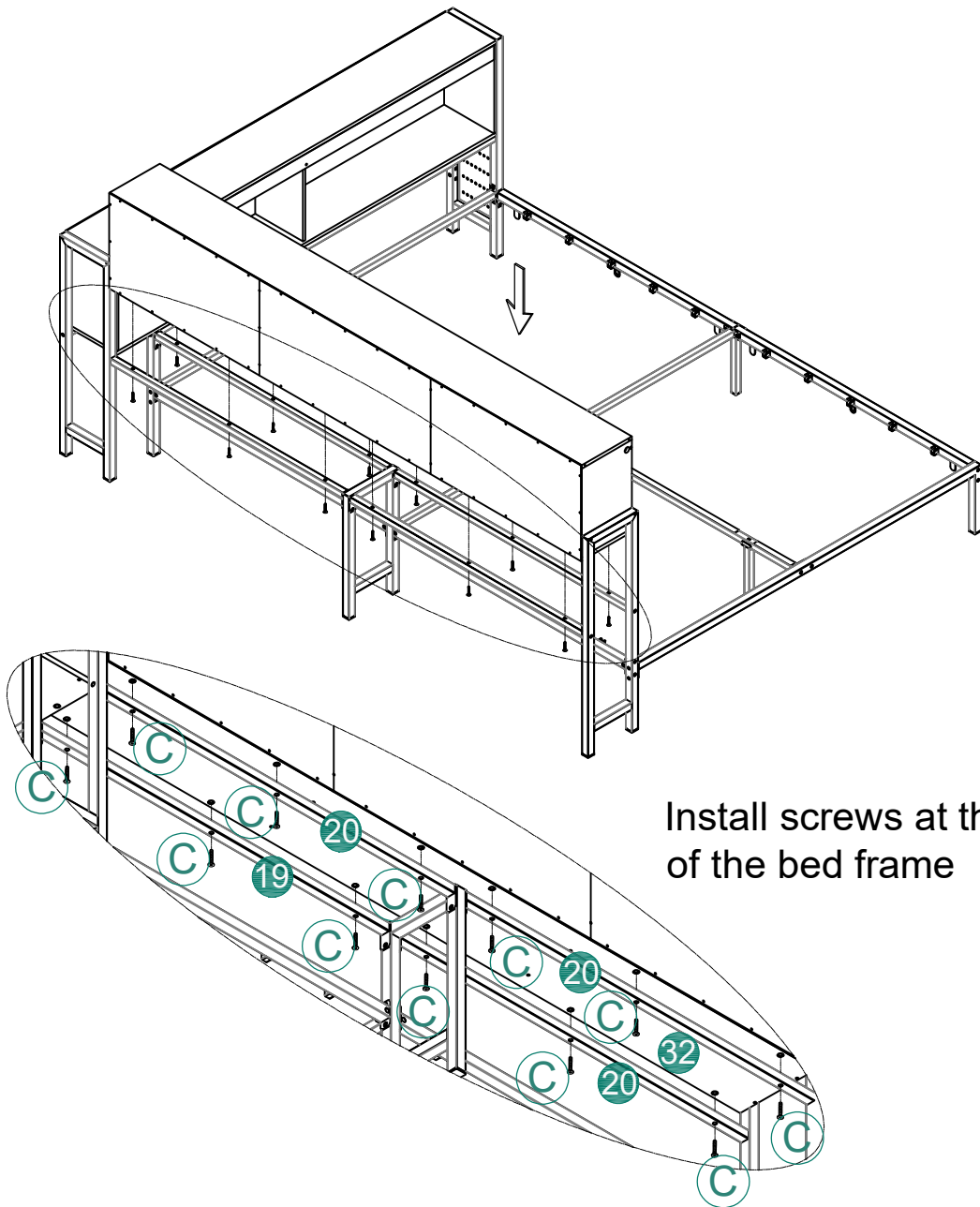


(C) x12

M4

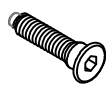


(O)



Install screws at the bottom of the bed frame

23

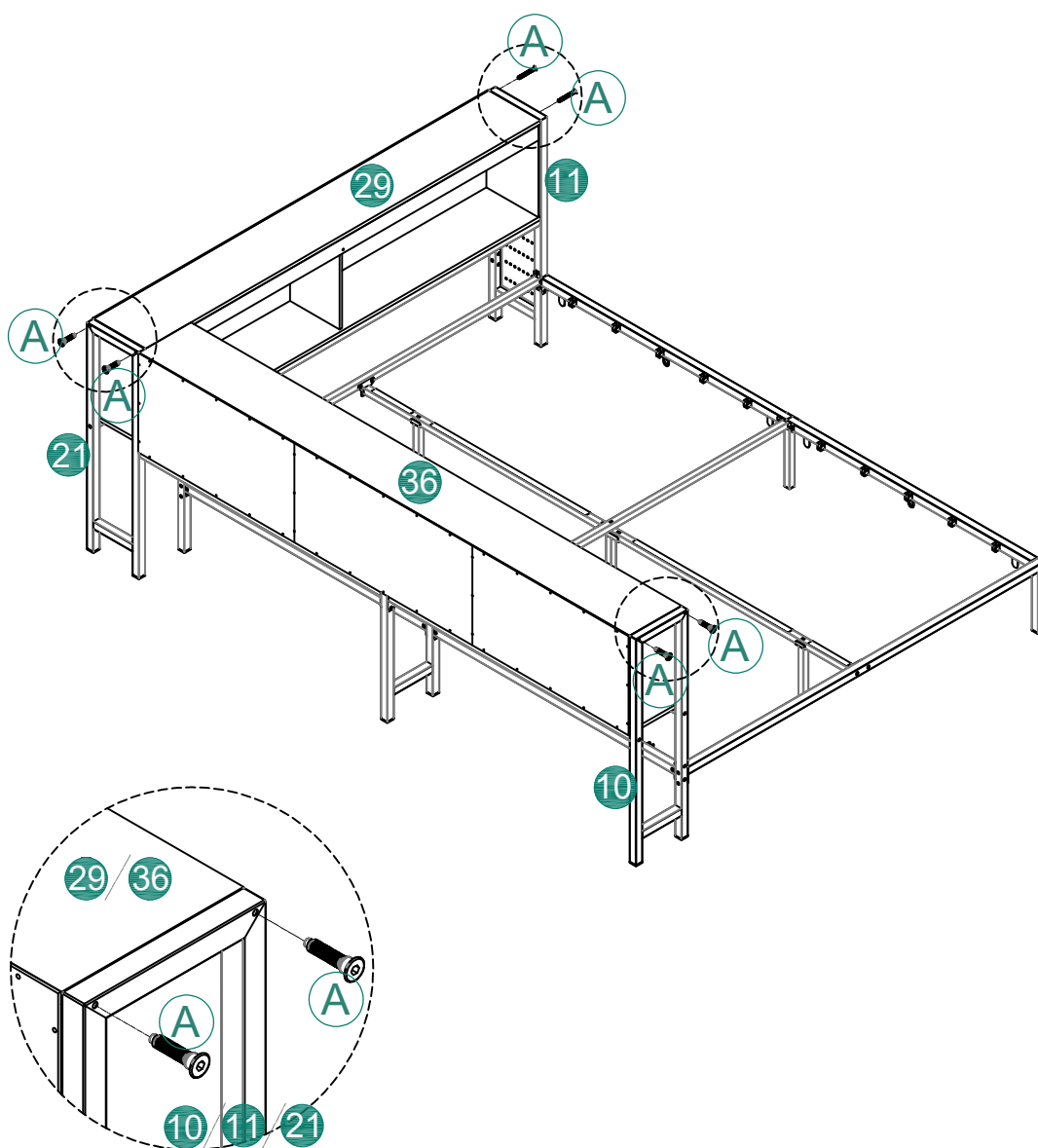


M3

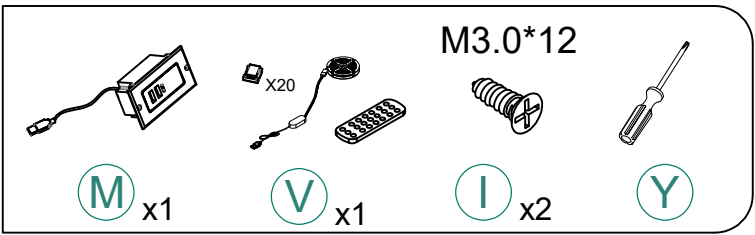


A x6

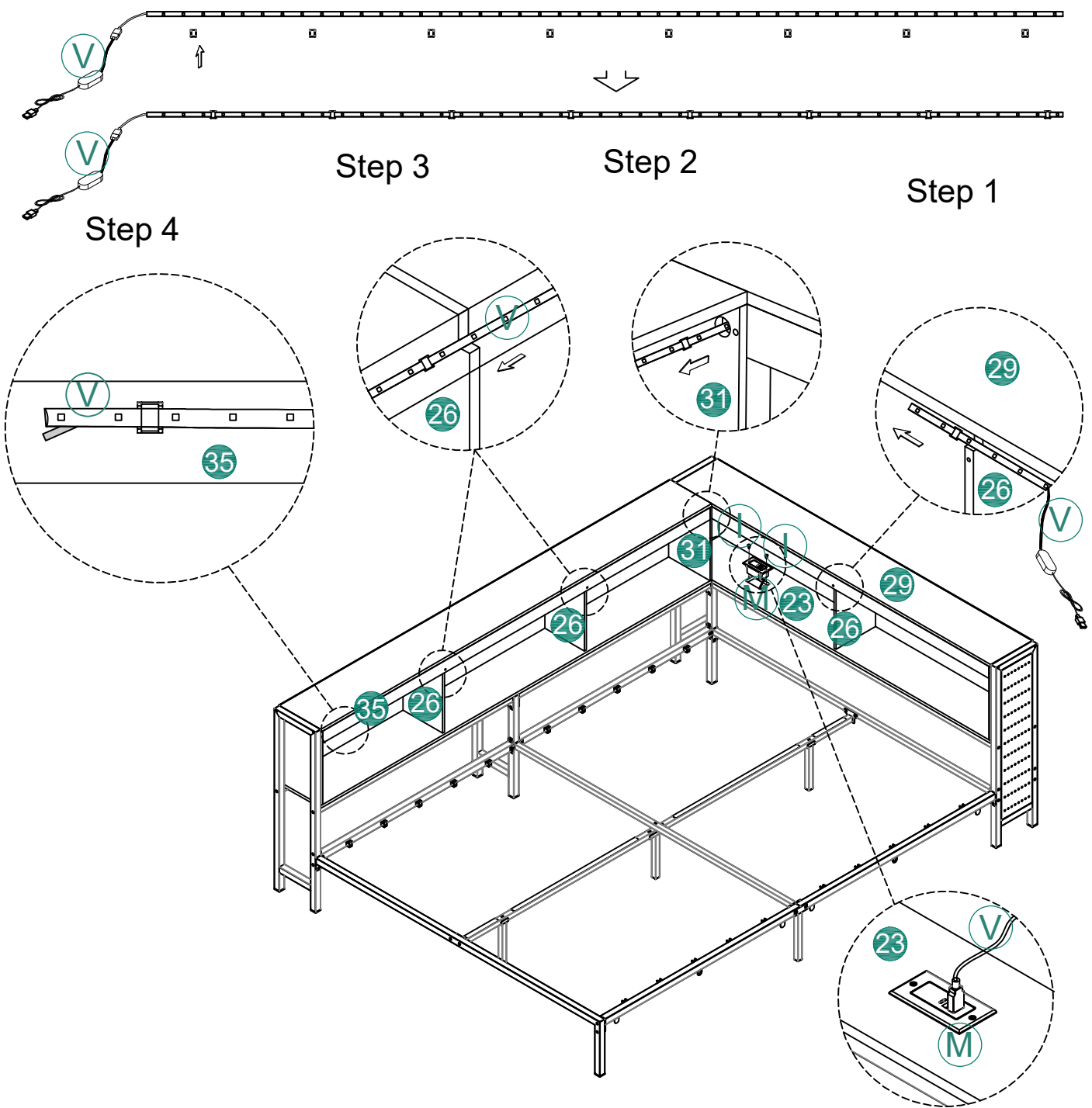
L



24



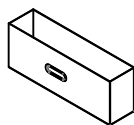
The LED light strip is first fixed with a plastic hook, inserted into the hole of the bed frame, and then the adhesive backing is peeled off and pasted.



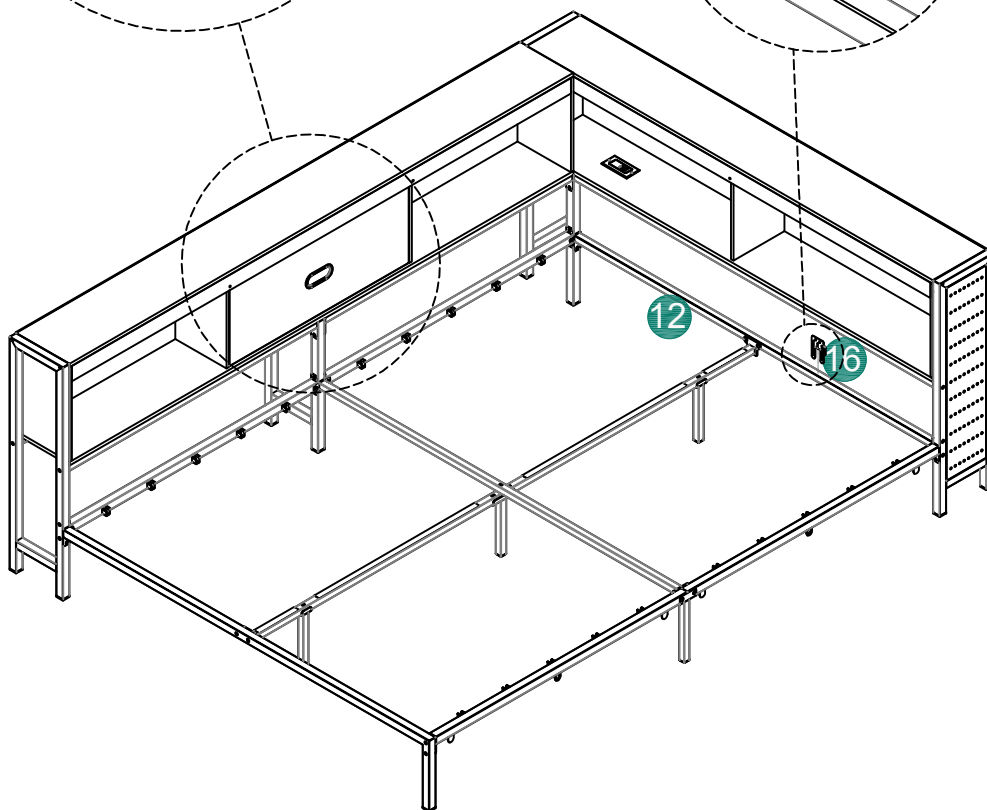
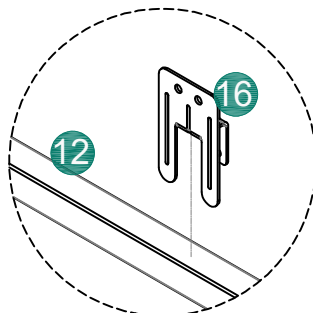
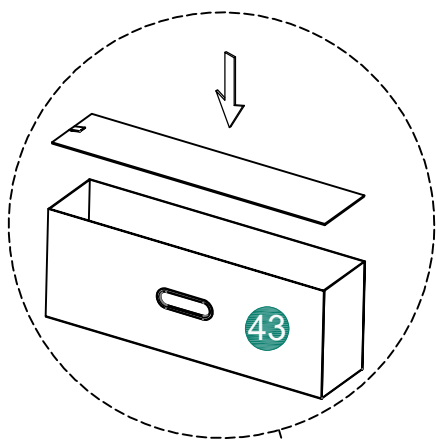
25



16 x1



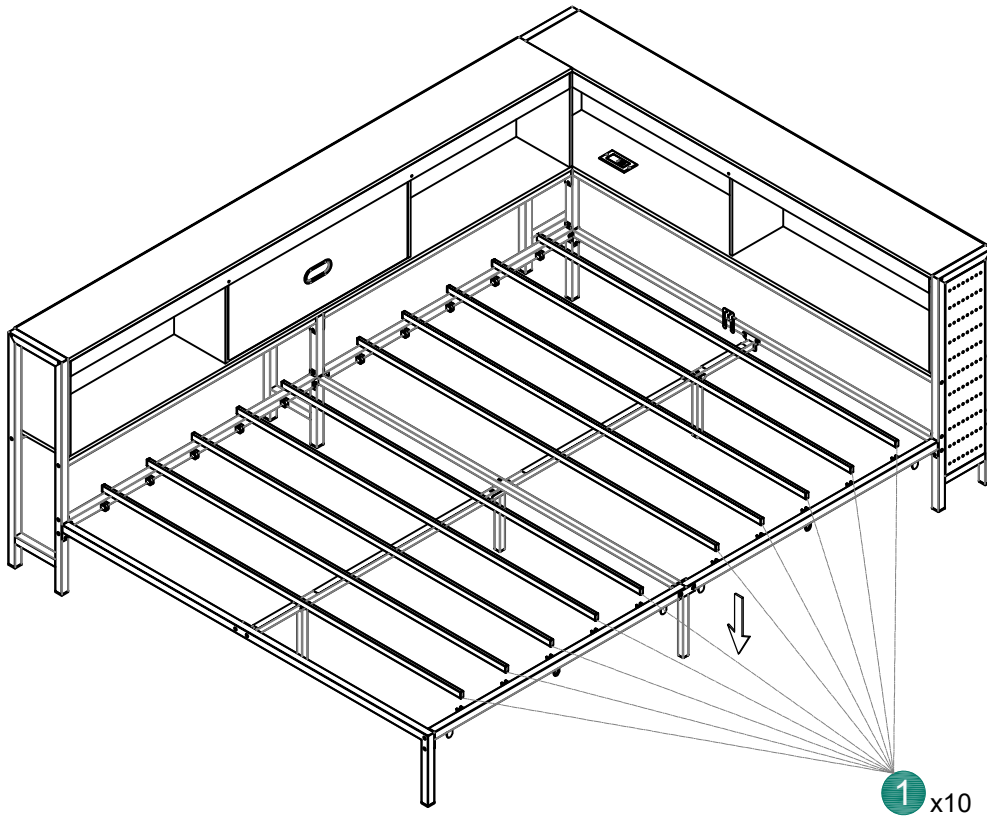
43 x1



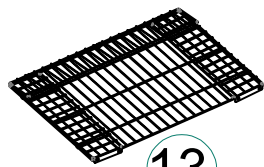
26



1 x10



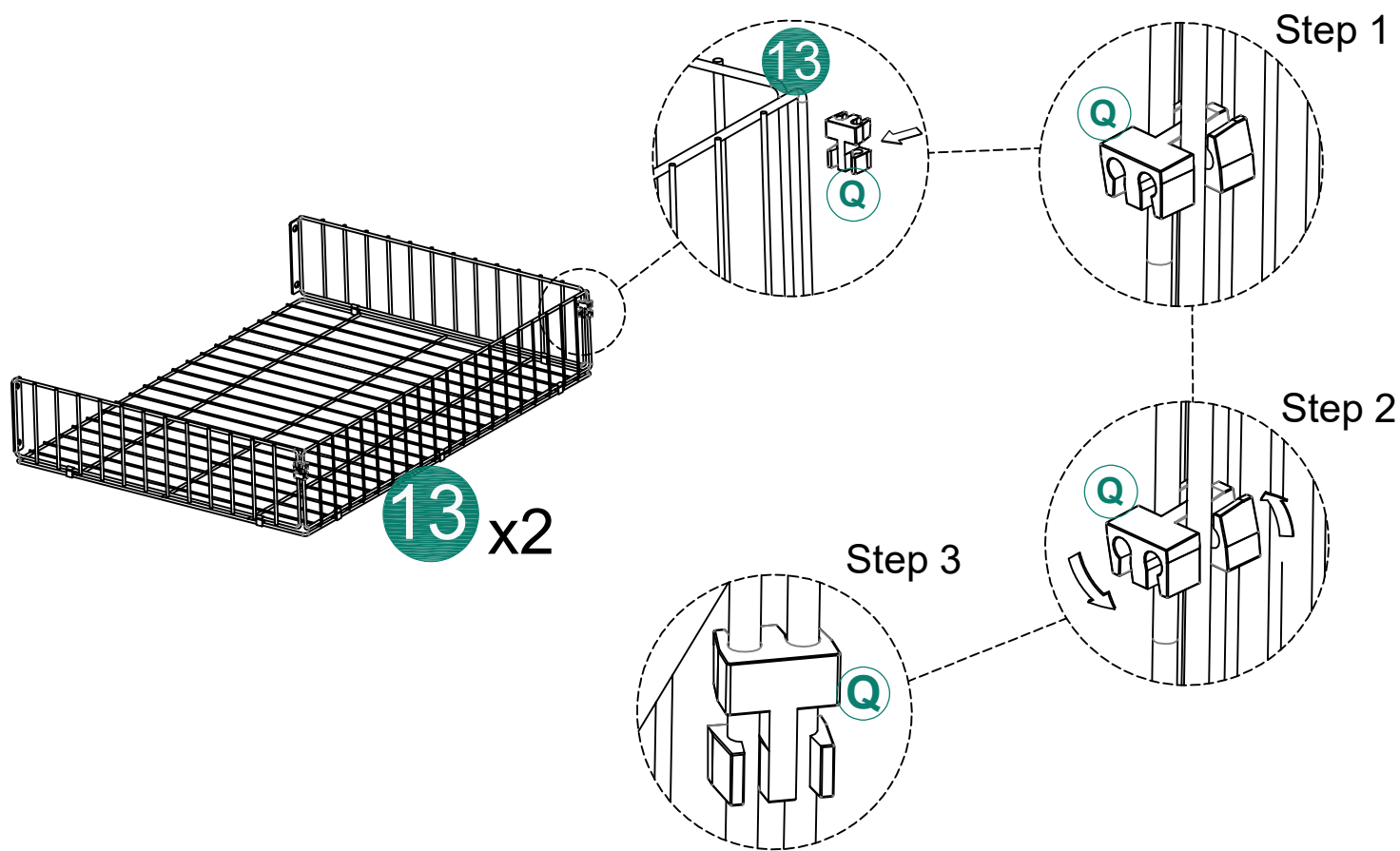
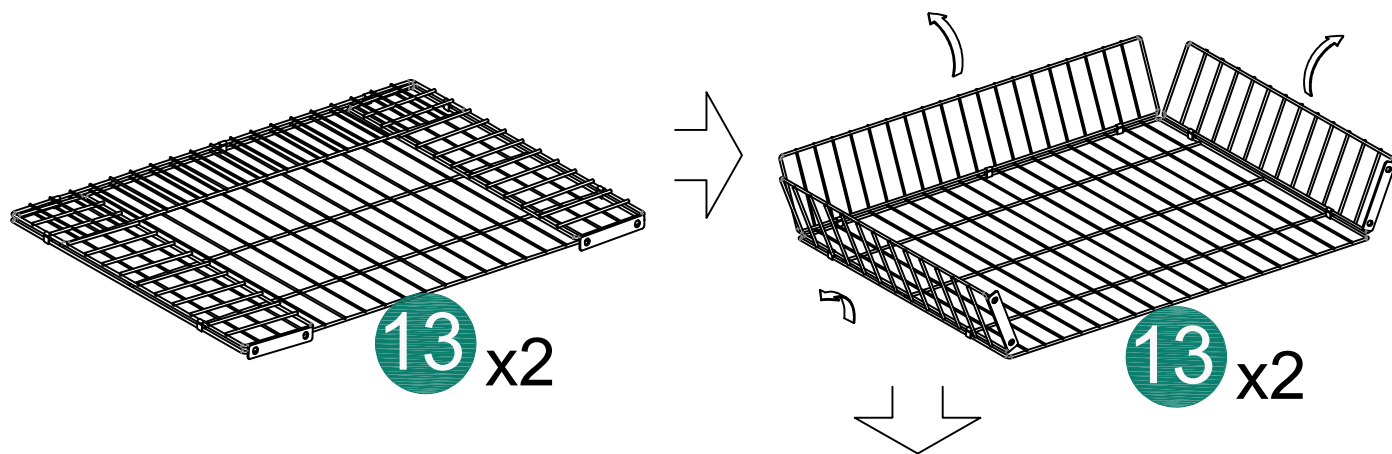
27



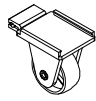
13 x2



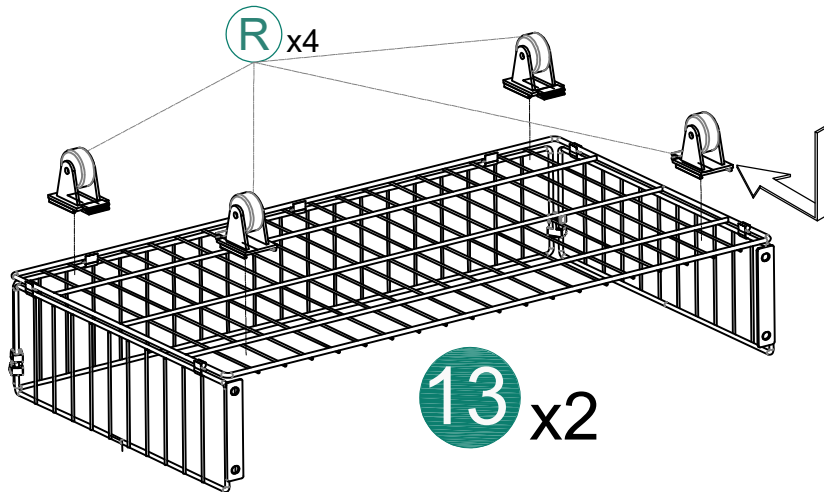
Q x4



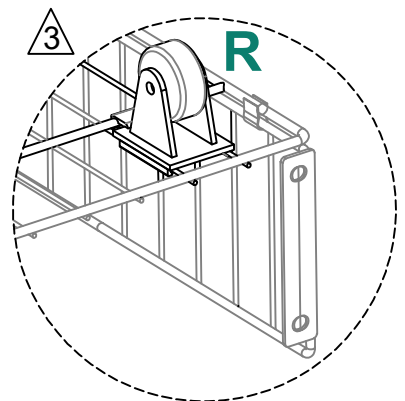
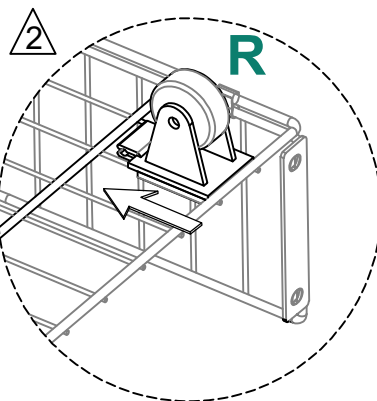
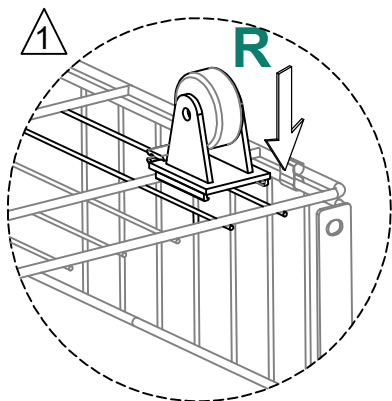
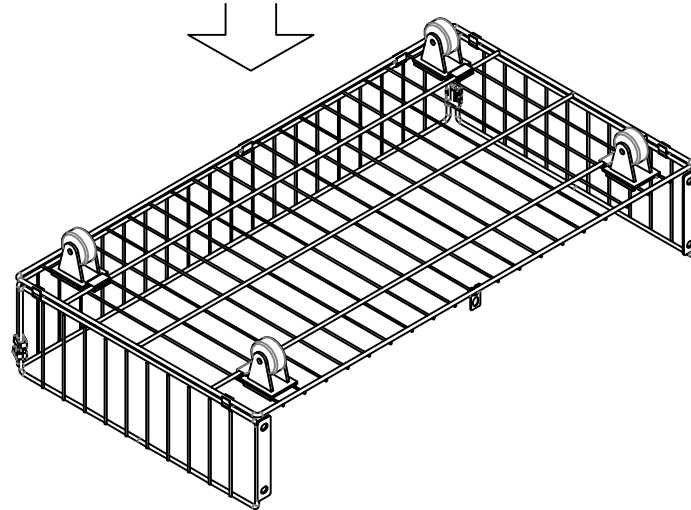
28



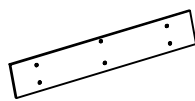
R x8



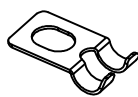
13 x2



29



41 x2



P x2

M6*10



B x10

M6*10(Ø8*5)

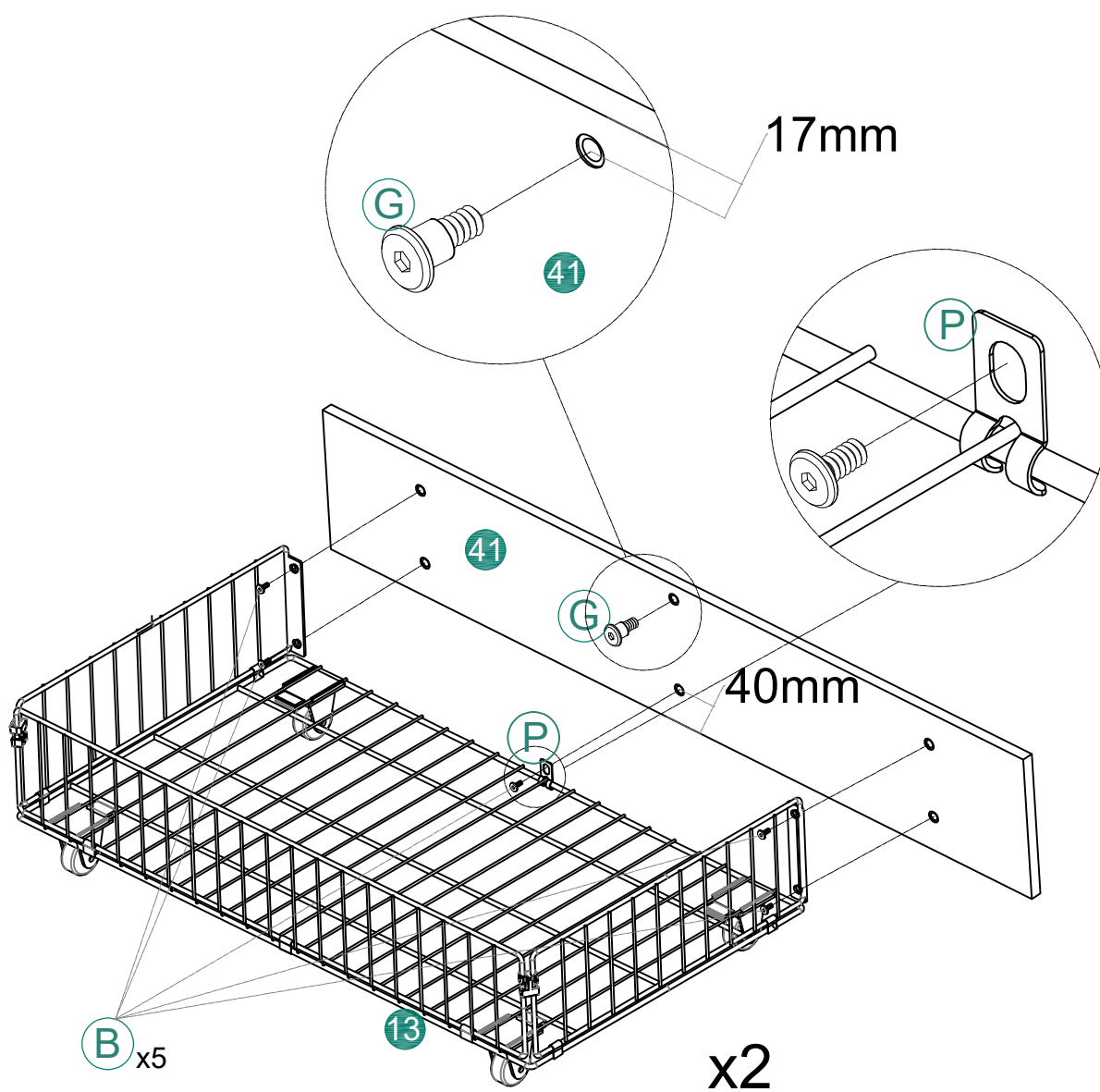


G x2

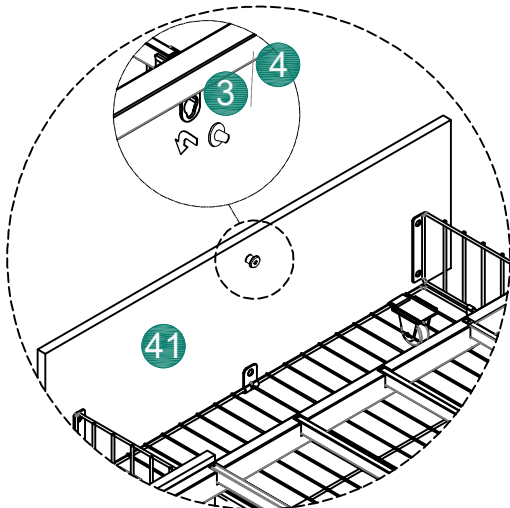
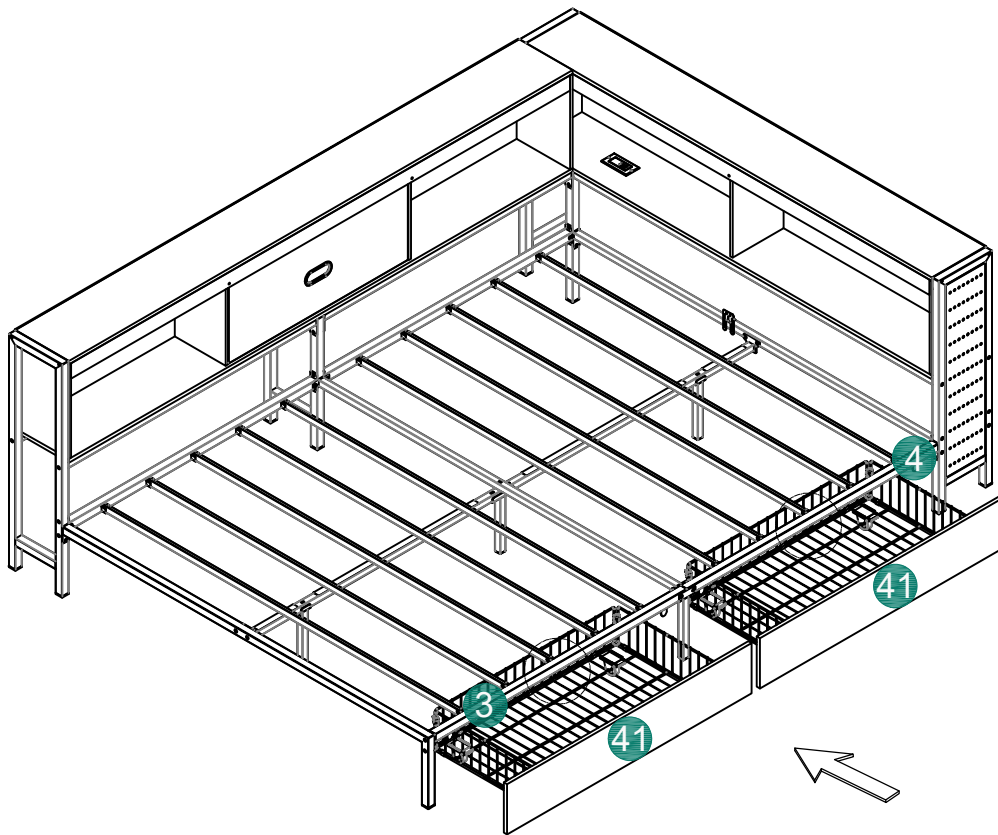
M4



O

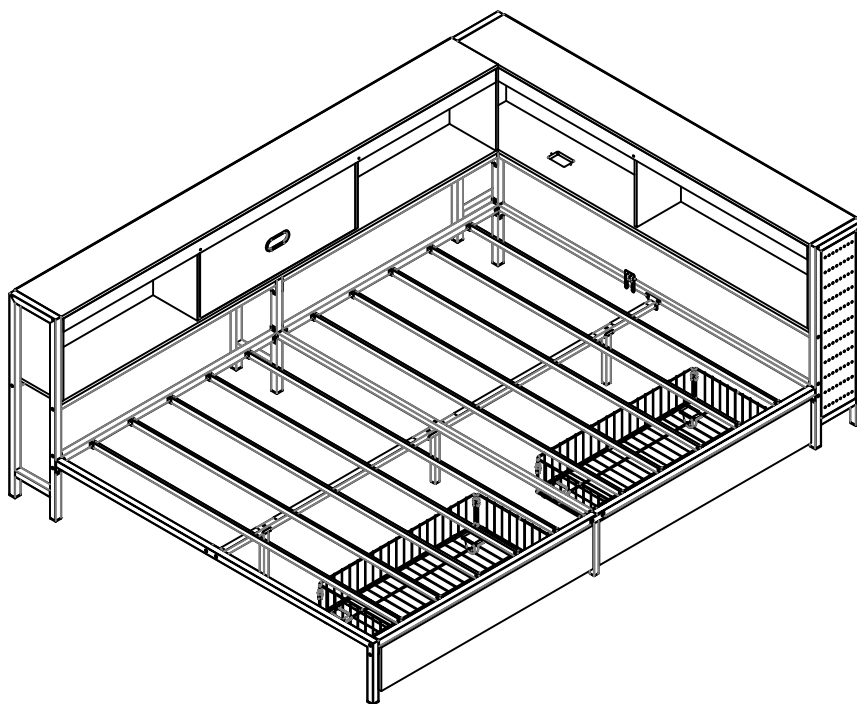


30



31

Installation Complete



APP Manual

1. SoftwareftOverview

1.1 Overview

This mobile application is designed to control LED strips using both Apple and Android phones.

Traditional control methods such as infrared, 433MHz, 2.4GHz, and other older wired systems are replaced by this mobile control system, which offers convenient, powerful, and scalable features.

Through this mobile application, you can not only control the color, brightness, and color temperature of the LED strips but also set up all kinds of fancy flash modes. Additionally, the application can change the lighting of the LED strip according to the rhythm of your music. The application can set and control several LED strips simultaneously through Bluetooth, and the operation remains simple, easy to learn, and easy to use.

1.2 Features

Adjust color LED strips with 60,000 colors to change color and brightness, and adjust monochrome LED strips to change brightness and color temperature.

Play music or turn on a sound playback device to let the light change its color and brightness with the rhythm of the music.

Utilize multiple built-in setting modes for color changes and control LED strips directly without a mobile device.

Enjoy long-distance control with an omni-directional antenna, alongside a many-to-many group control mode.

Once the connection is successful, connect automatically next time

1.3 Performance

This application is exceptionally user-friendly and offers great compatibility across all kinds of smartphones. Following actual testing on hundreds of mobile devices, verification shows that the compatibility rate is above 95% of smartphones in the market. The application is small and convenient, consuming fewer system resources, which means the requirements for mobile hardware configurations are low. Control delay is minimal, providing an excellent operational feel where light control transitions smoothly in alignment with human visual senses.

1. Operating Environment

This application program requires phones running a system version above Android 4.3 or iOS 8.0. The mobile phone hardware configuration itself is not limited.

1. Instructions

Note: The Android version and iOS version are downloaded and used via the same method; the Android version is used below as an example.

3.1 APP Download

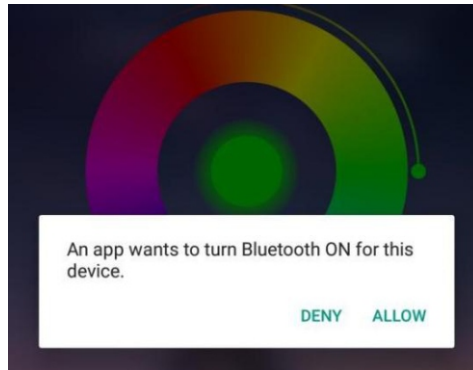
Both iOS and Android systems can download the smart application

3.2 App Operation

(1) Click on the mobile application icon to enter the main page.



(2) After entering the interface, if Bluetooth is not enabled, a system prompt will state: "An application wants to enable the Bluetooth function of this device." Click [Allow].



(3) Switch to the color and brightness control interface

Click to show the lamp list

Switch the color wheel

Click to display setting view

Lamp switch button

Adjust the color

Display the RGB value
Click to manual adjustment view

Click square icon to adjust the color

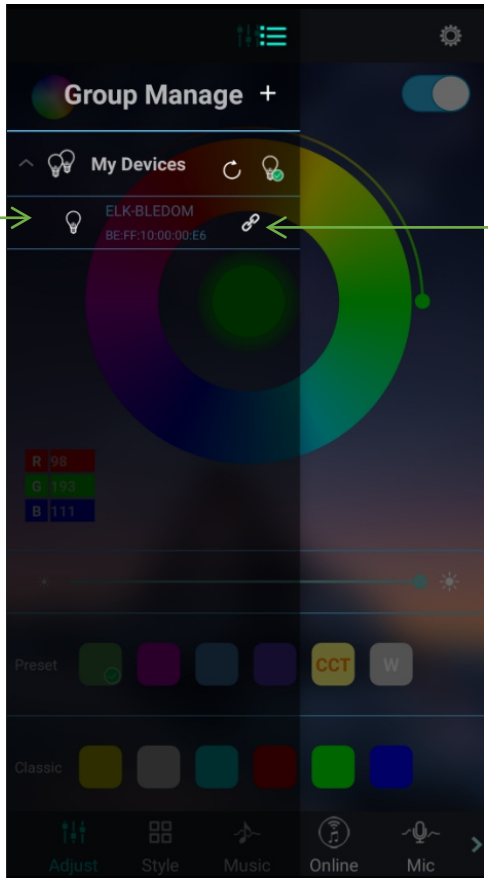
Click to shift the interface

(4) Click to show the lamp list:

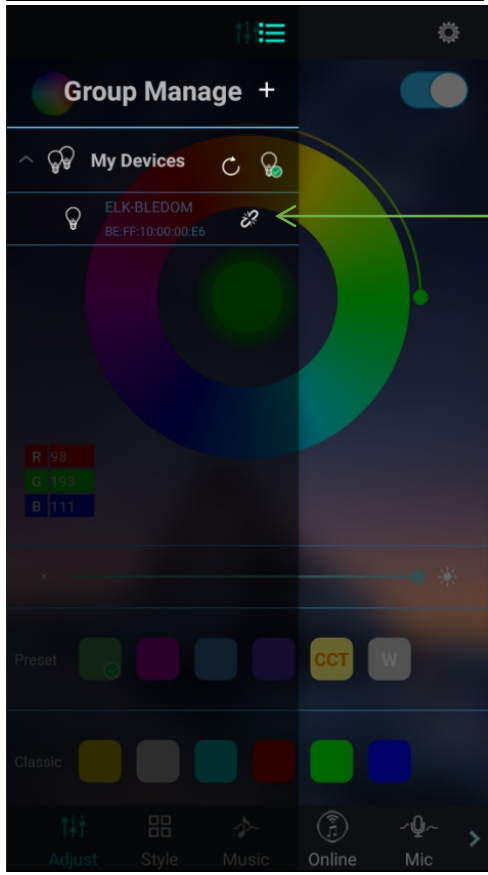
Bluetooth auto connect after search for devices

Lamp list

Status of device connection



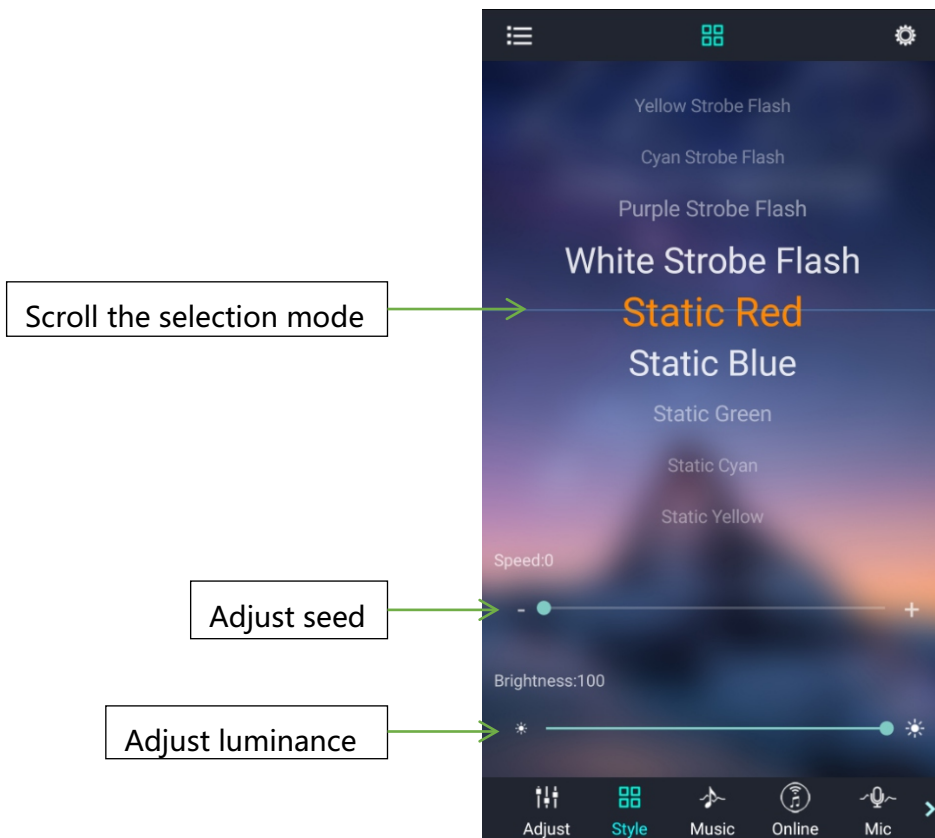
Status of device connection



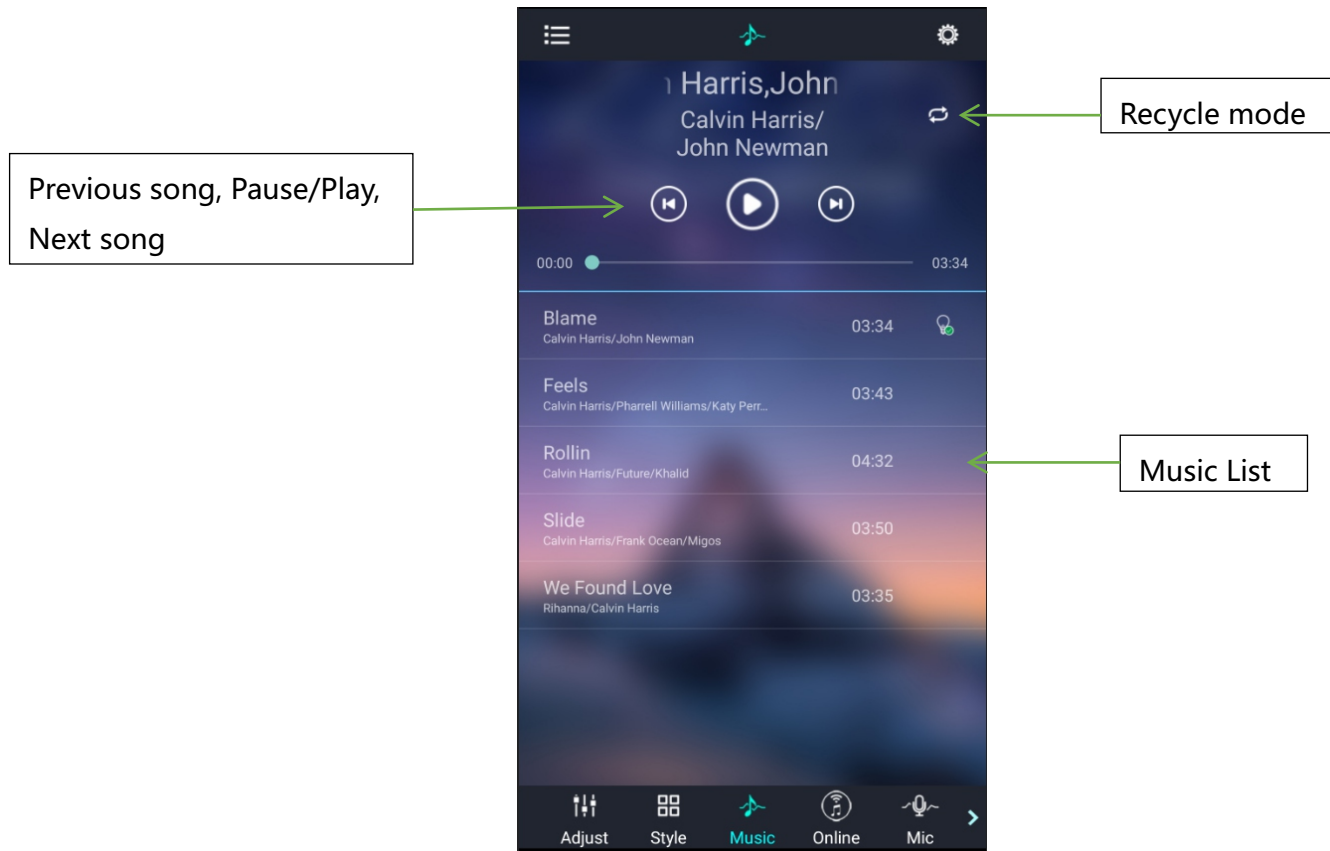
(5) Click on the RGB manual adjustment view:



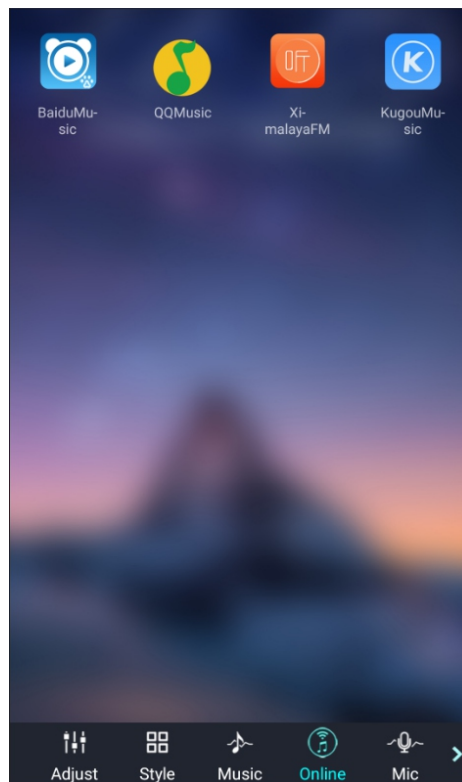
(6) Switch to the mode selection screen:



(7) Switch to the local music rhythm view:

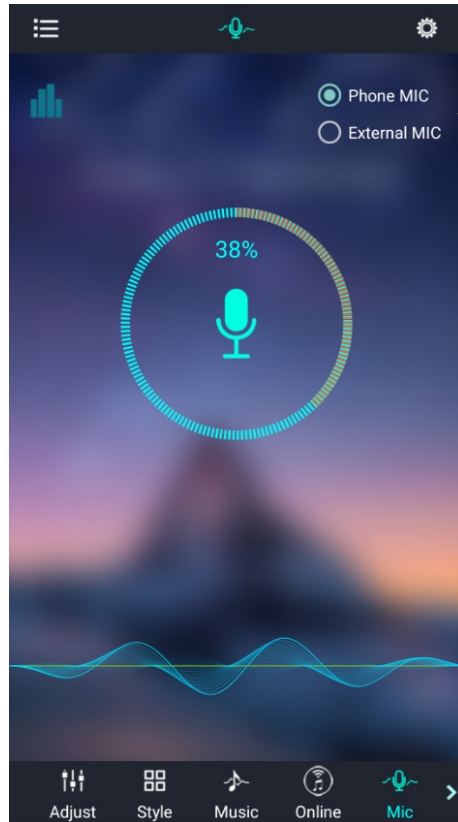


(8) Switch to the online music view:



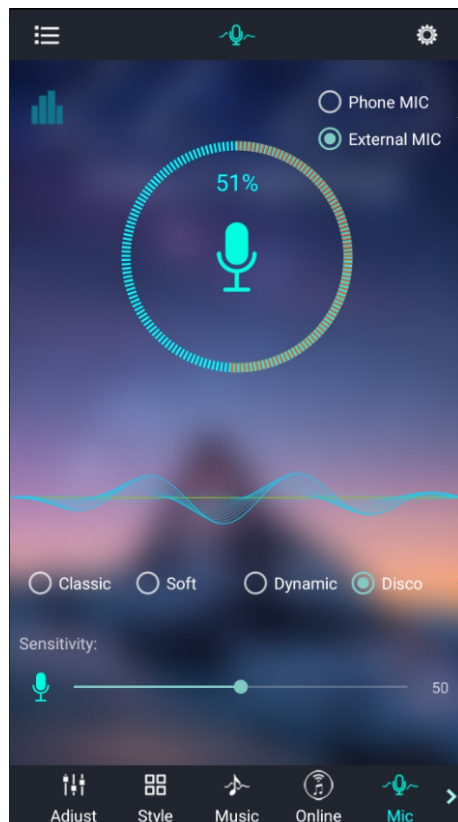
(9) Switch to the microphone rhythm view:

Music rhythm through cell phone microphone



Switch phone microphone and external microphone

Music rhythm through the microphone on the product

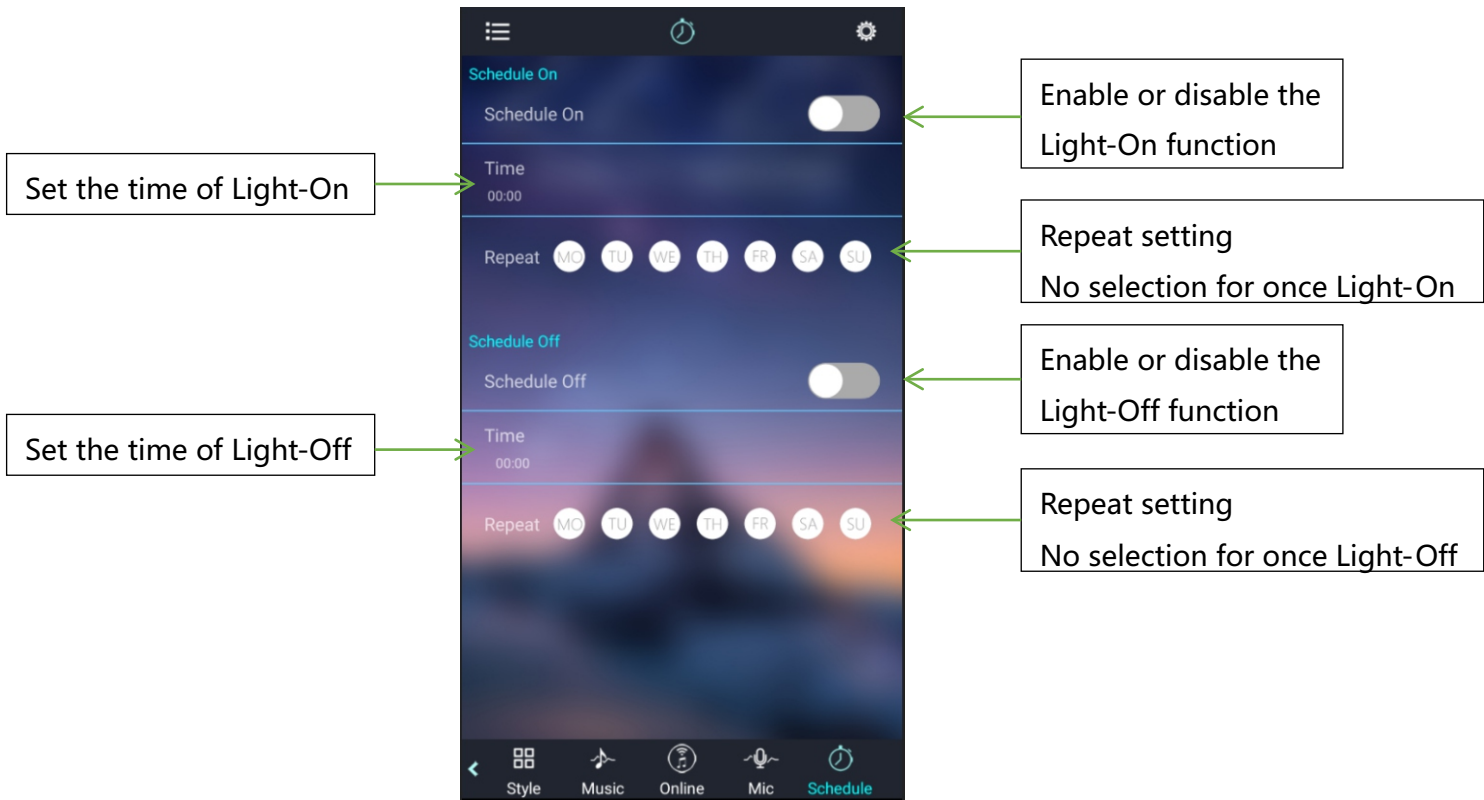


Switch phone microphone and external microphone

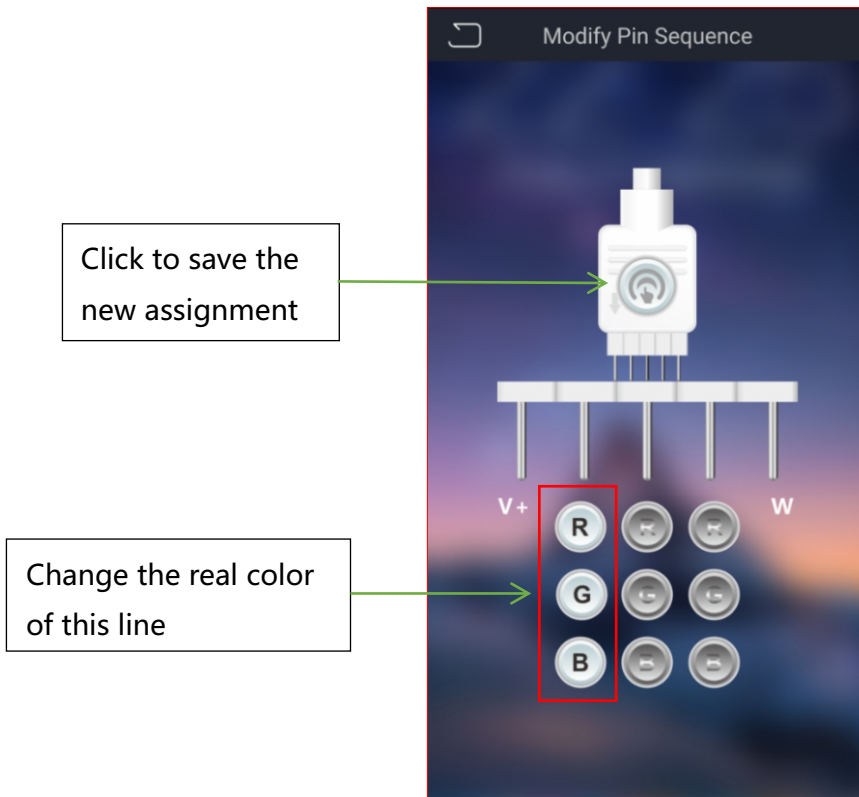
4-style rhythm

Change the sensitivity of MIC to match the sound

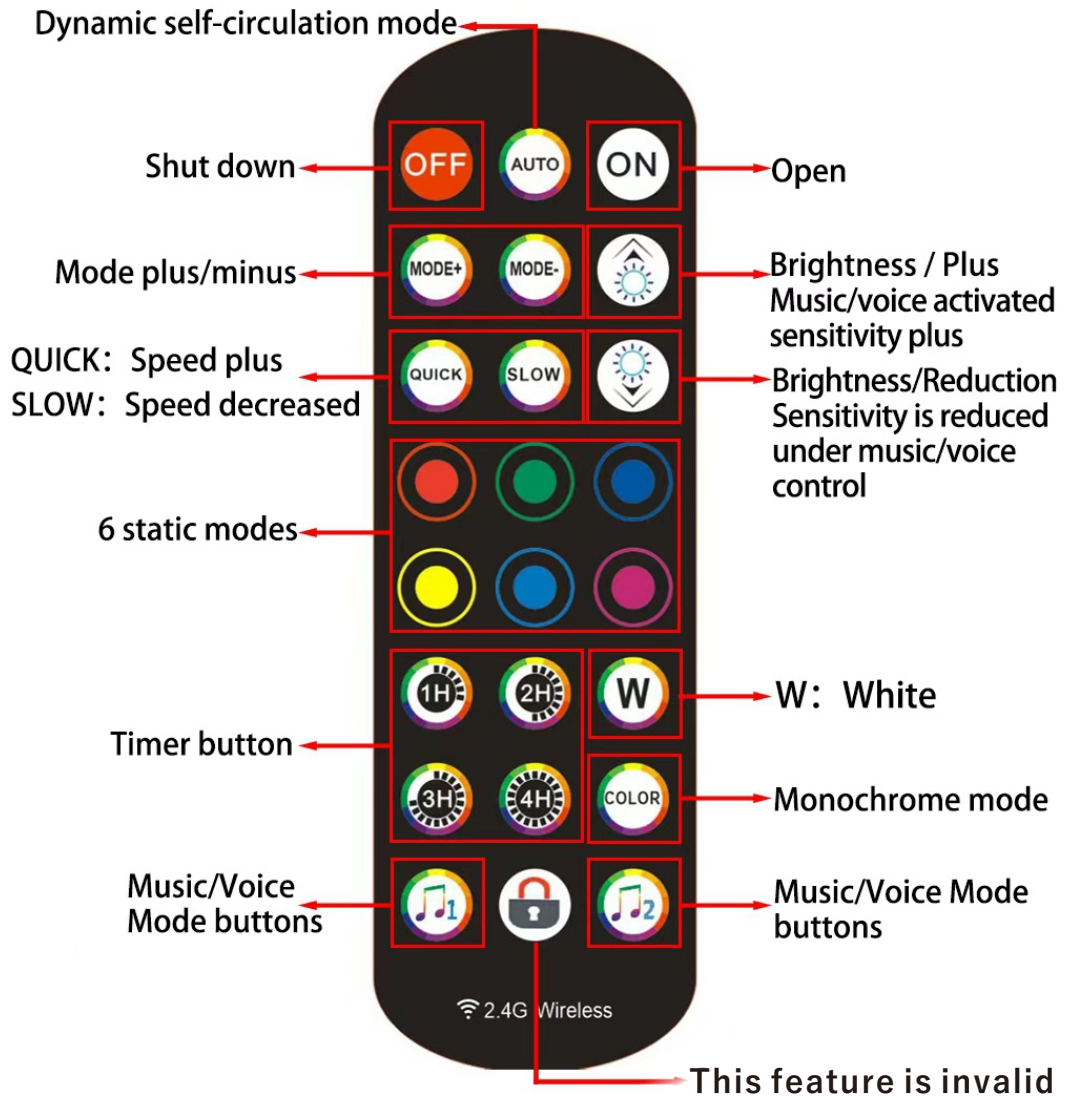
(10) Switch to the automated schedule interface:



(11) Switch to the modify pin sequence interface:



Remote Control Instructions



HELP CENTER



Inquiry



Assembly issue



Missing parts

If you encounter any difficulties during assembly, please contact us.

Wenn Sie während der Montage auf Schwierigkeiten stoßen, kontaktieren Sie uns bitte.

Si vous rencontrez des difficultés lors du montage, veuillez nous contacter.

Se incontri difficoltà durante il montaggio, ti preghiamo di contattarci.

Si encuentras alguna dificultad durante el ensamblaje, por favor contáctanos.

DISCLAIMER

Manufacturer and seller expressly disclaim any and all liability for personal injury, property damage or loss, whether direct, indirect, or incidental, resulting from the incorrect attachment, improper use, inadequate maintenance, unapproved modification, or neglect of this product.

Der Hersteller und Verkäufer lehnen ausdrücklich jegliche Haftung für Personenschäden, Sachschäden oder Verluste ab, egal ob direkt, indirekt oder zufällig, die durch falsche Anbringung, unsachgemäßen Gebrauch, unzureichende Wartung, nicht genehmigte Änderungen oder Vernachlässigung dieses Produkts entstehen.

El fabricante y vendedor renuncian expresamente a toda responsabilidad por lesiones personales, daños materiales o pérdidas, ya sean directos, indirectos o incidentales, derivados de la incorrecta colocación, uso inadecuado, mantenimiento insuficiente, modificación no aprobada o negligencia de este producto.

Il produttore e il venditore declinano espressamente ogni responsabilità per lesioni personali, danni materiali o perdite, dirette, indirette o incidentali, derivanti dall'errato fissaggio, uso improprio, manutenzione inadeguata, modifica non autorizzata o negligenza di questo prodotto.

Le fabricant et le vendeur déclinent expressément toute responsabilité en cas de blessures corporelles, de dommages matériels ou de pertes, qu'ils soient directs, indirects ou accessoires, résultant de la fixation incorrecte, de l'utilisation inappropriée, de l'entretien insuffisant, de la modification non approuvée ou de la négligence de ce produit.