

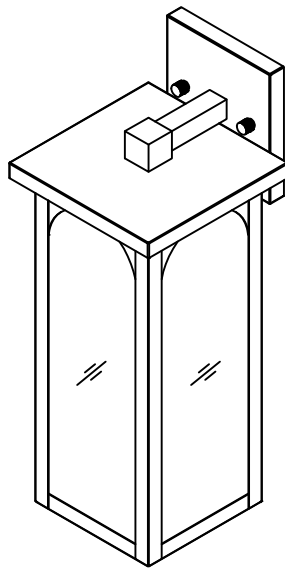
ASSEMBLY AND INSTALLATION INSTRUCTIONS

WARNING: TO AVOID RISK OF ELECTRICAL SHOCK, BE SURE TO SHUT OFF POWER WHILE INSTALLING OR SERVICING THIS FIXTURE.

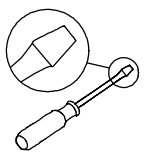
NOTES:

1. Before installing, consult local electrical codes for wiring and grounding requirements.
2. Read and save these instructions.
3. Always switch off the electricity supply and allow to cool for 10 minutes before changing the light bulbs.

1-LIGHT WALL SCONCE



TOOLS REQUIRED



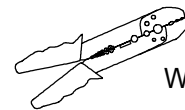
Flathead
Screwdriver



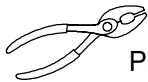
Phillips
Screwdriver



Ladder



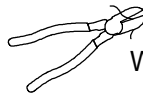
Wire Strippers



Pliers



Electrical
Tape



Wire Cutters



Safety Glasses

PREPARATION

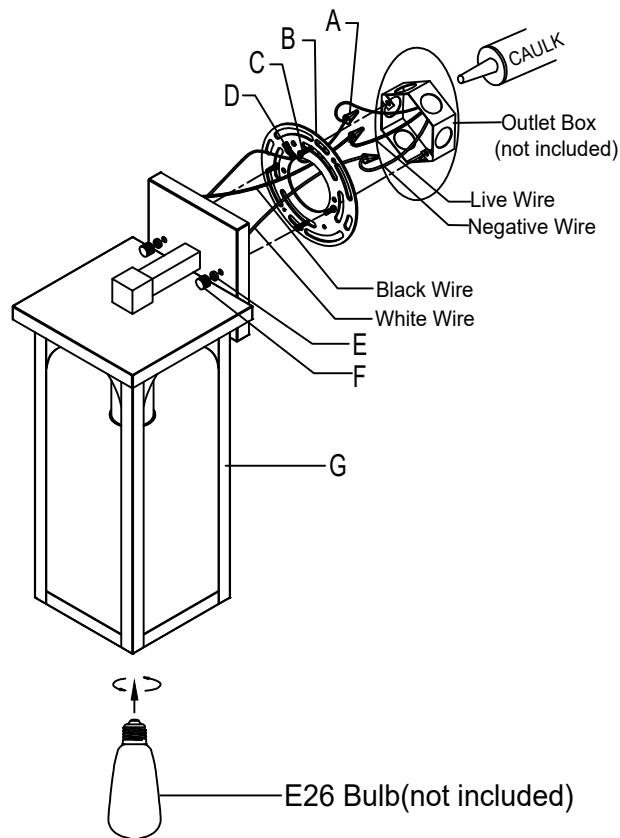
Before beginning assembly of product, make sure all parts are present. Compare parts with package contents list and hardware contents list. If any part is missing or damaged, do not attempt to assemble the product. When the lamp is not installed finish, please don't throw away the package, so as not to leave the parts in the package.

PART LIST AND HARDWARE LIST

PIECE	DESCRIPTION	QUANTITY
A	Wire nut	3
B	Mounting plate	1
C	Outlet box screw	2
D	Green ground screw	1
E	Rubber Pads	2
F	Decorative Nuts	2
G	Fixture body	1

INSTALLATION

1. Connect the mounting plate (B) to the junction box with the outlet box screw (C), and then fix it.
2. Install the A-type bulb with a maximum power of 60W (not included) onto the lamp head.
3. Connect the power circuit grounding wire (green or bare copper wire) to the fixture grounding wire, Black to (black) and white to (white).
4. Use decorative nuts (E.F) to connect the fixture body (G) to the mounting plate (B).



If you have any issues with use this product, please email us. Be sure to include your order number and photos of the issues. This will help us provide you with faster support and solve your problem.