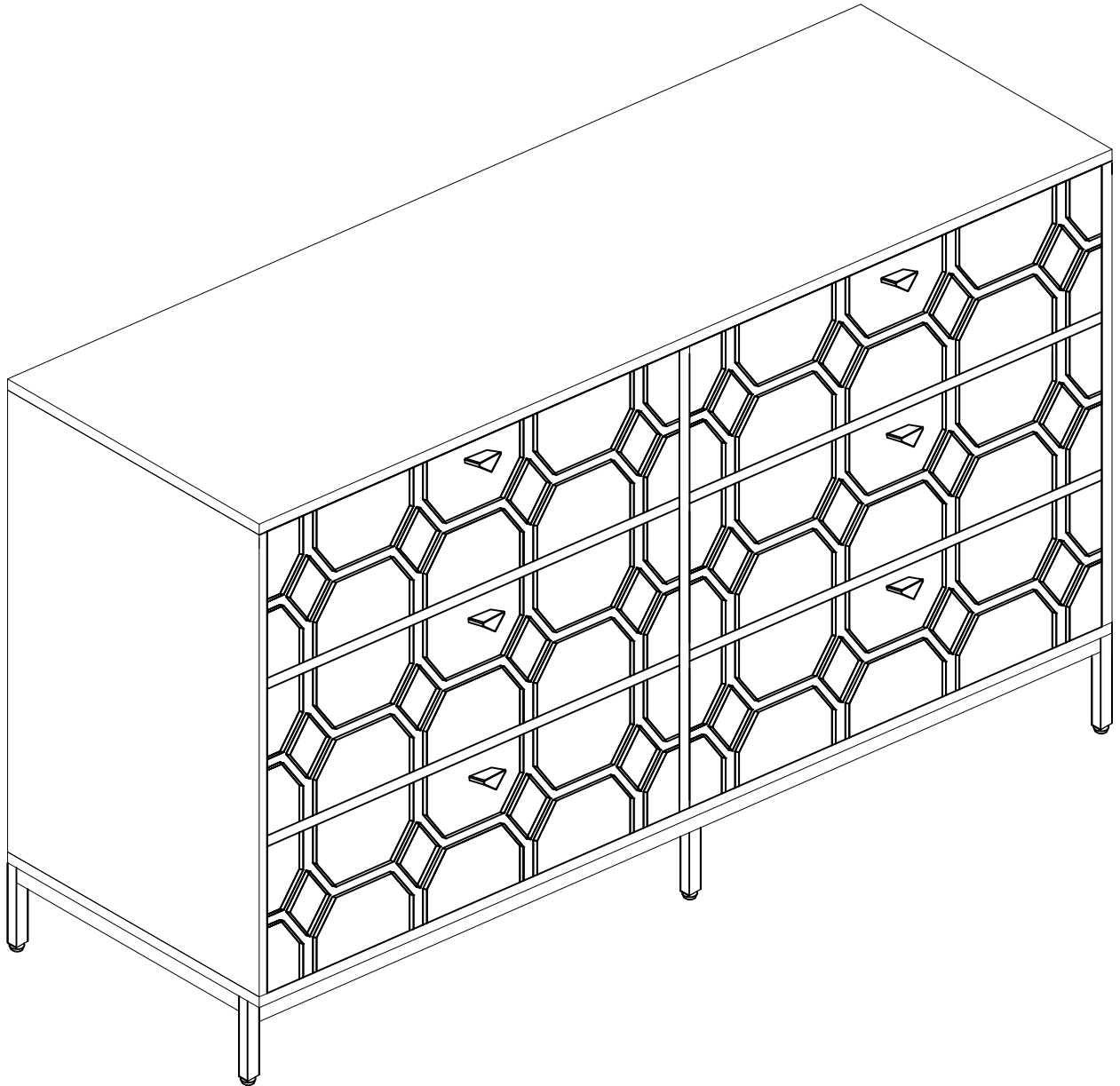
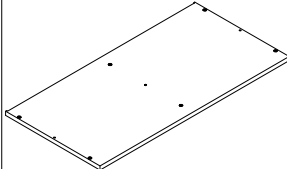
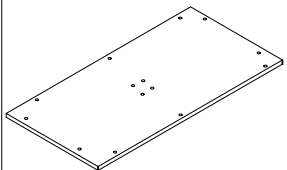
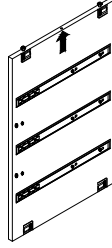
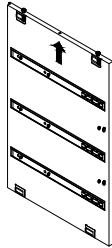
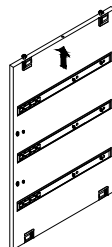
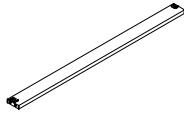
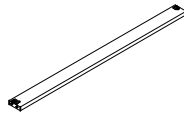


ASSEMBLY INSTRUCTIONS

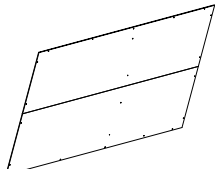
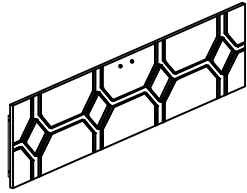
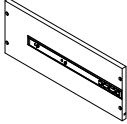
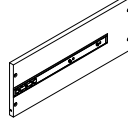
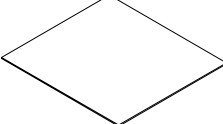
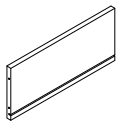
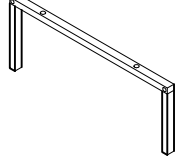
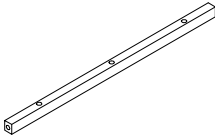
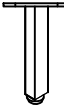


ASSEMBLY INSTRUCTIONS

Part List:

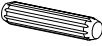
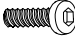





ITEM	DESCRIPTION	PART	QTY
1	Top panel		1
2	Bottom panel		1
3	Left side panel		1
4	Right side panel		1
5	Middle side panel		1
6	Left side front crosspiece		2
7	Right side front crosspiece		2

Part List:







ITEM	DESCRIPTION	PART	QTY
8	Back panel		1
9	Drawer front		6
10	drawer left side		6
11	drawer right side		6
12	drawer bottom		6
13	drawer back		6
14	Side leg		2
15	Crossbar		2
16	Middle leg		1

ASSEMBLY INSTRUCTION

Hardware List:

ITEM	DESCRIPTION	PART	QTY
A	Wooden dowel	 Φ8*30mm	14
B	Bolt	 Φ1/4"*1-1/8"	10
C	Allen wrench		1
D	Handle		6
E	Machine screw	 Φ5/32"*4/5"	12
F	Back screw	 Φ3*12mm	22
G	Bolt	 Φ1/4"*1-1/2"	4

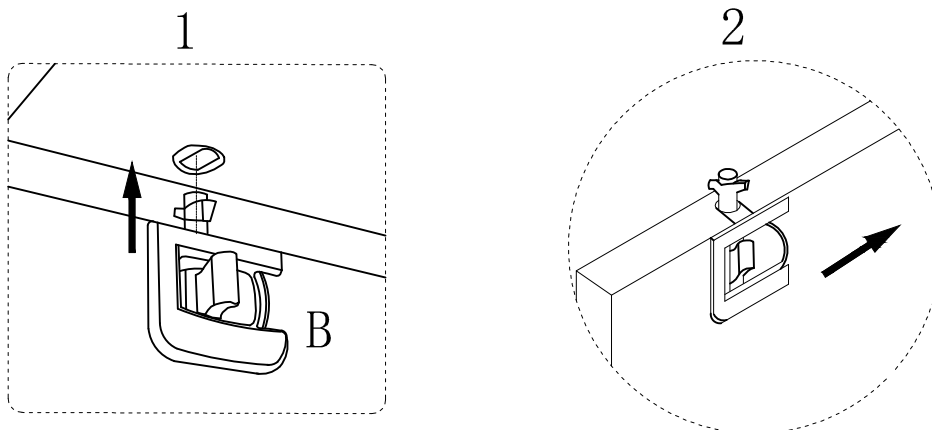
Hardware List:

ITEM	DESCRIPTION	PART	QTY
H	Grub screw	 Φ4*25mm	48
I	Safety wall strap		2
J	Plastic anchor		2
K	Mounting screw	 Φ4*38mm	2
L	Washer		2
M	Bolt	 Φ1/4"*1/2"	4

ASSEMBLY INSTRUCTION

- * Required screwdriver & mallet, not included.
- * Before discarding packing materials, please check to make sure that all parts and hardware is present.
- * Two people needed for assembly.
- * Please follow the instructions closely; do not over tighten screws or bolts unless instructed.
- * After a few days from initial assembly, the product may have acclimated to the new environment. Please retighten the hardware.

Fastener installation procedure guide (1 and 2)







Align the cross shape of fastener "B" on the vertical plate with the hole position on the top plate and bottom plate,

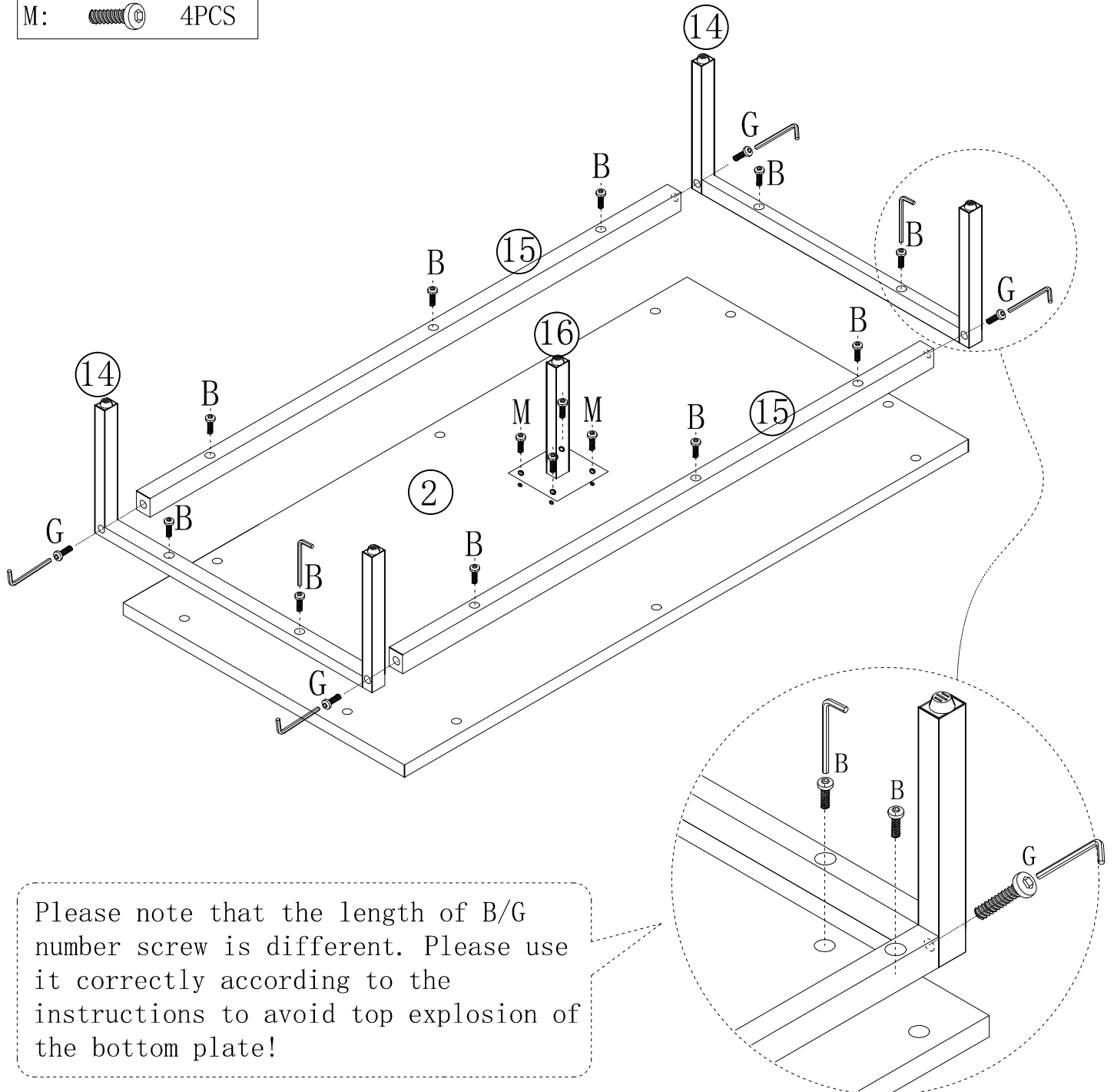
Press and hold the fastener door latch firmly towards the notch direction,

If the fastener is hard to press, it may be easier to use a wooden stopper.

ASSEMBLY INSTRUCTION

STEP 1


B:		10PCS
C:		1PC
G:		4PCS
M:		4PCS

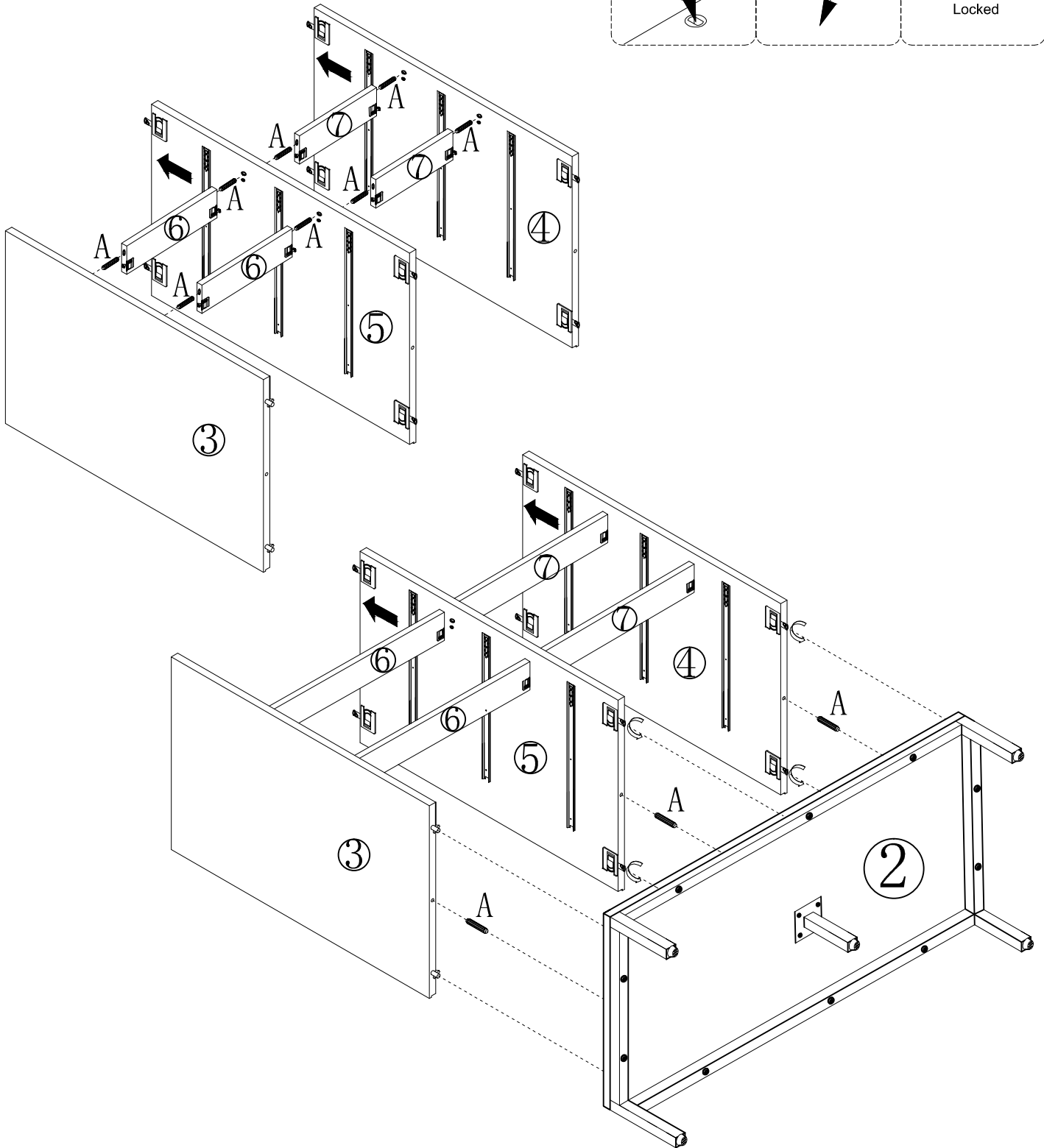
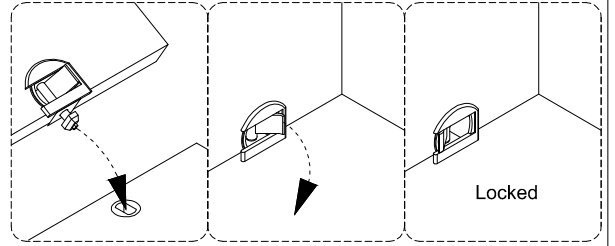


Please note that the length of B/G number screw is different. Please use it correctly according to the instructions to avoid top explosion of the bottom plate!

ASSEMBLY INSTRUCTION


STEP 2

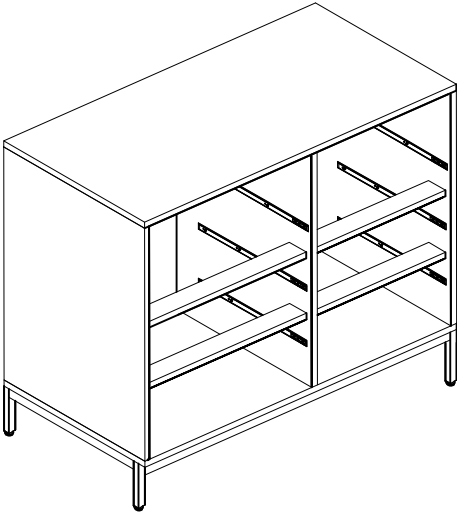
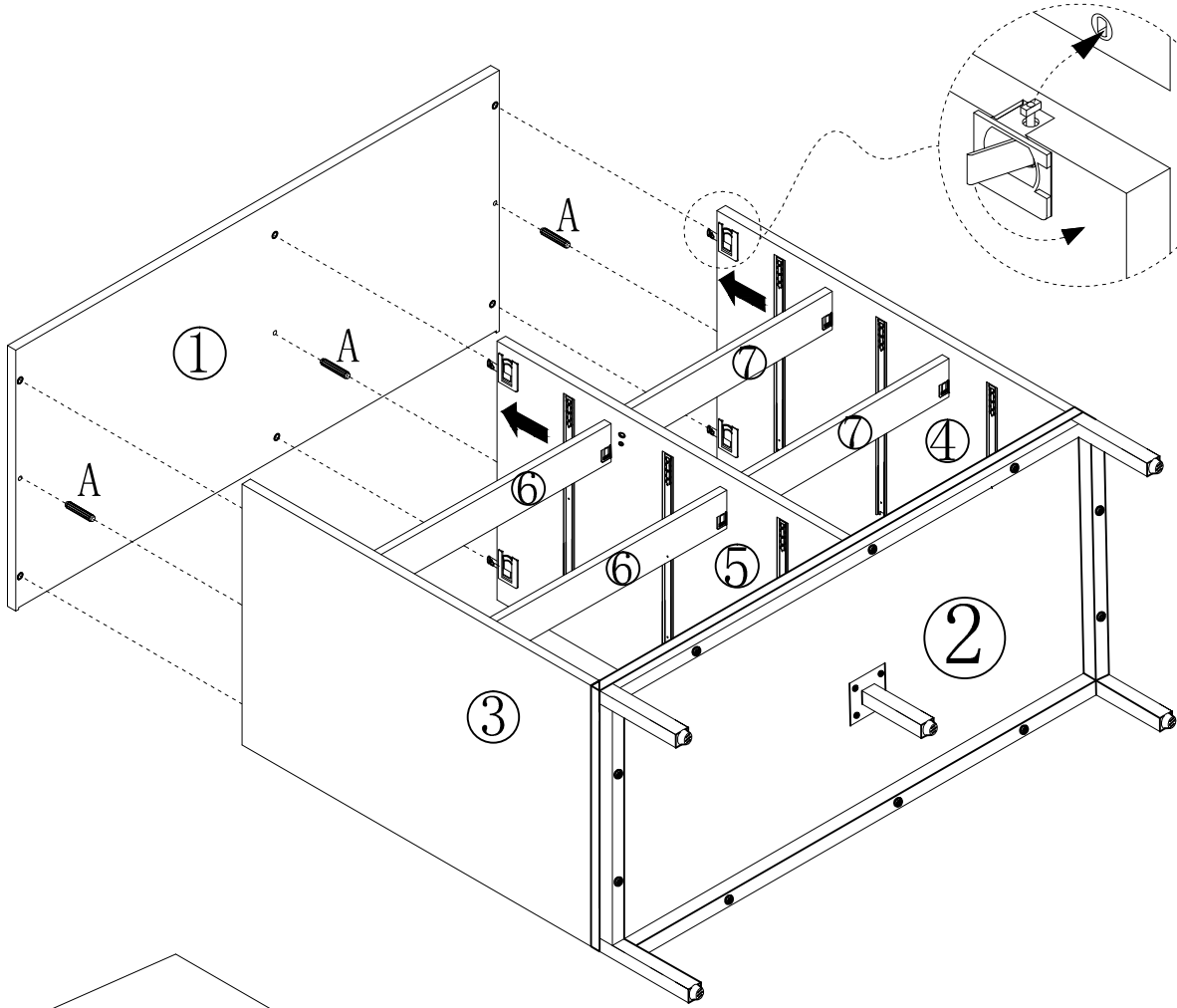
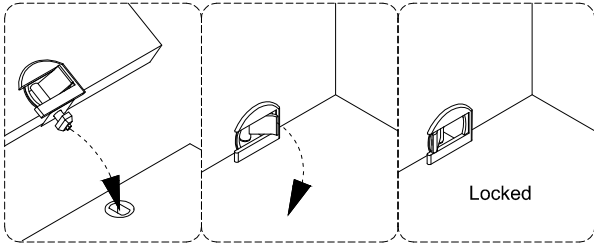
A:  11PCS



ASSEMBLY INSTRUCTION



STEP 3

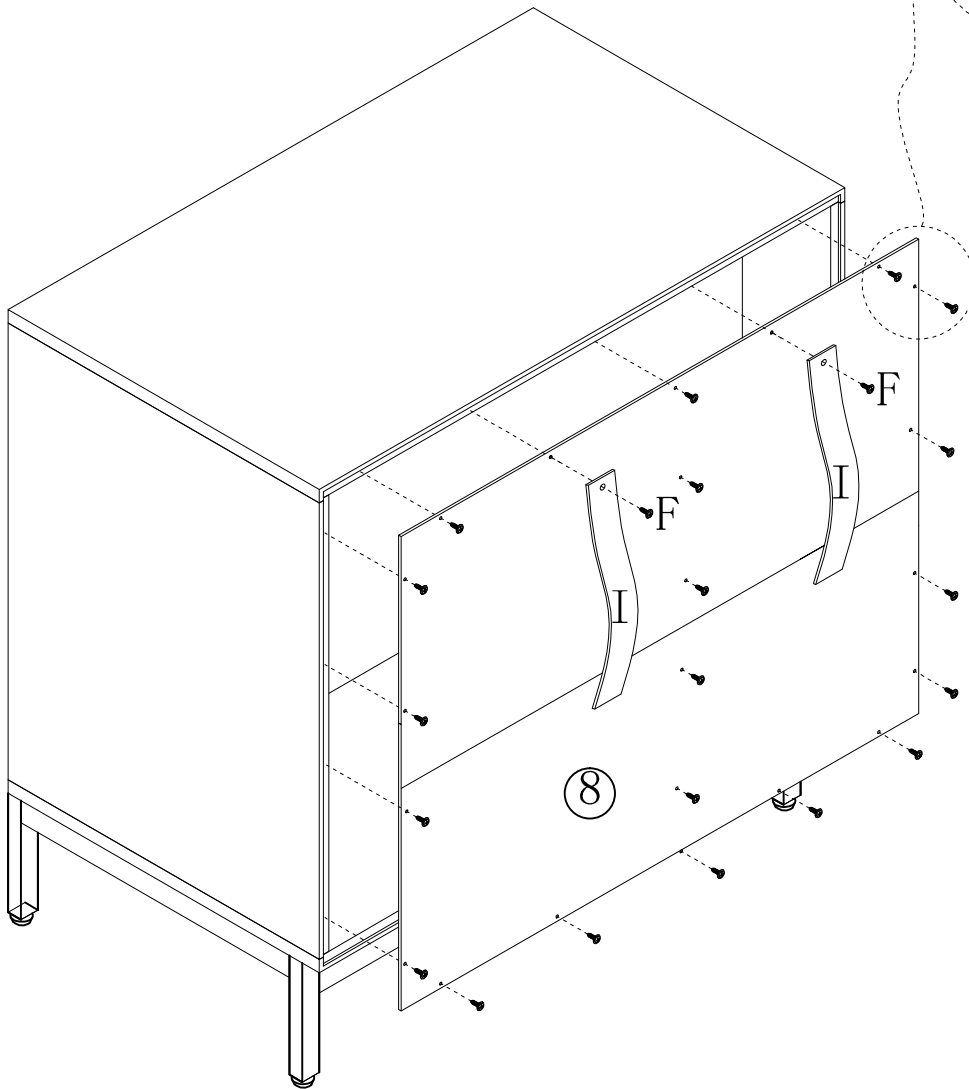
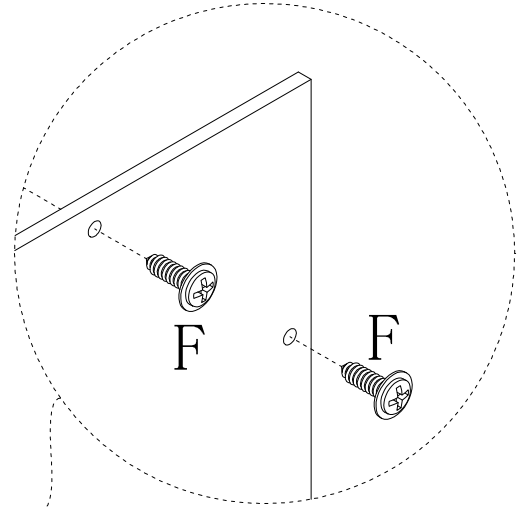
A:  3PCS



ASSEMBLY INSTRUCTION




STEP 4

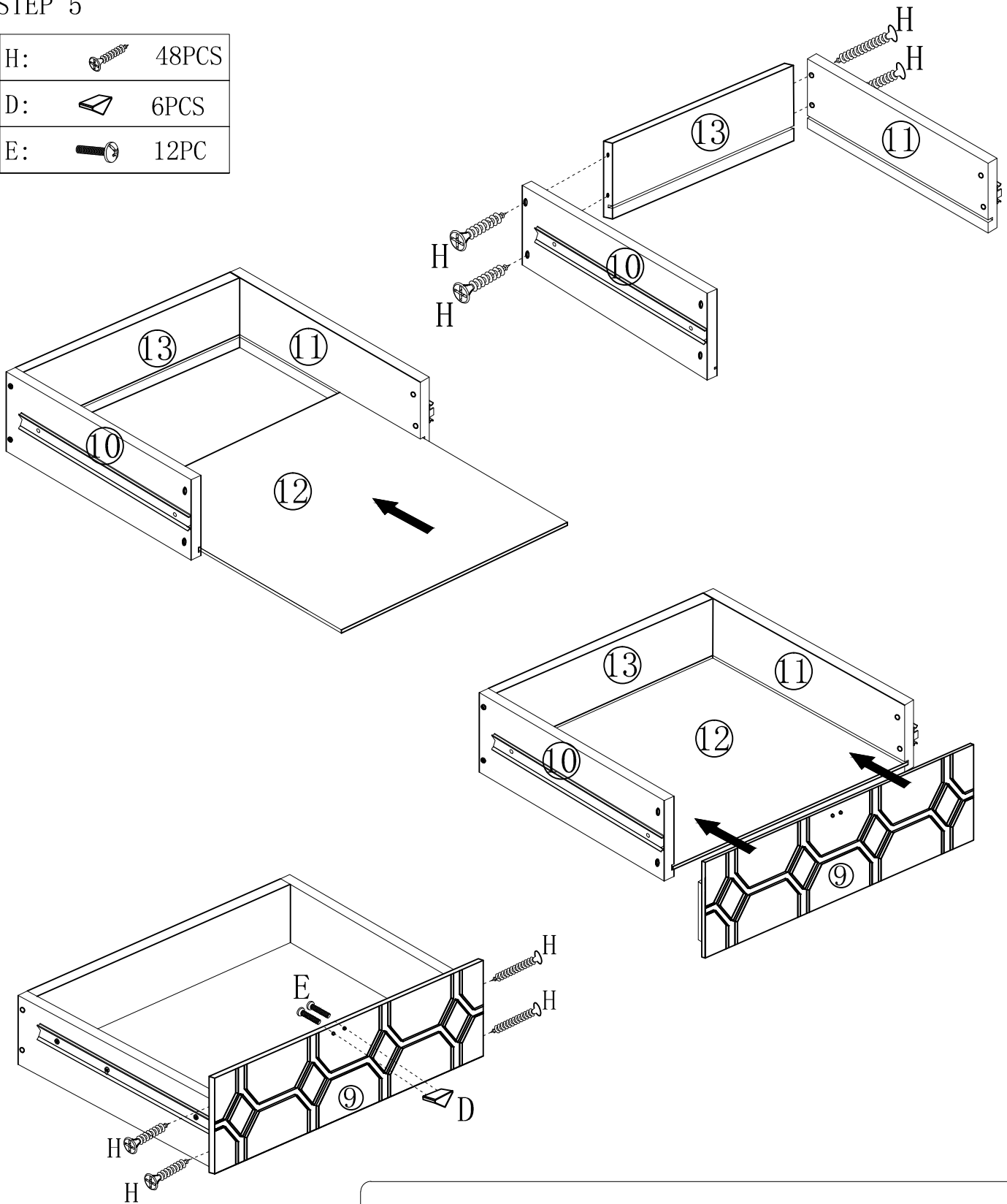
F:		22PCS
I:		2PC



ASSEMBLY INSTRUCTION

STEP 5

H:		48PCS
D:		6PCS
E:		12PC

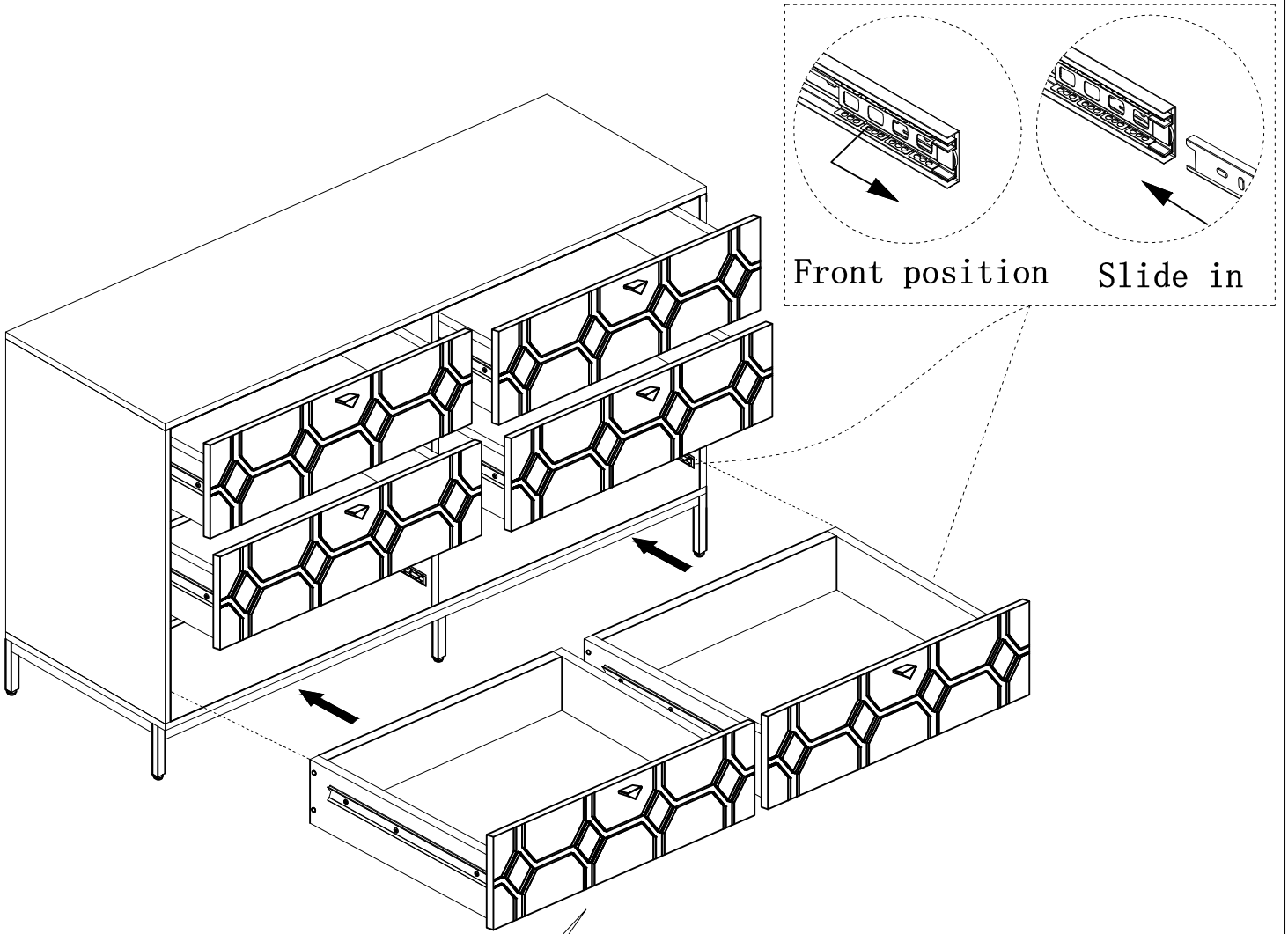


6 drawers are assembled in the same way

ASSEMBLY INSTRUCTION

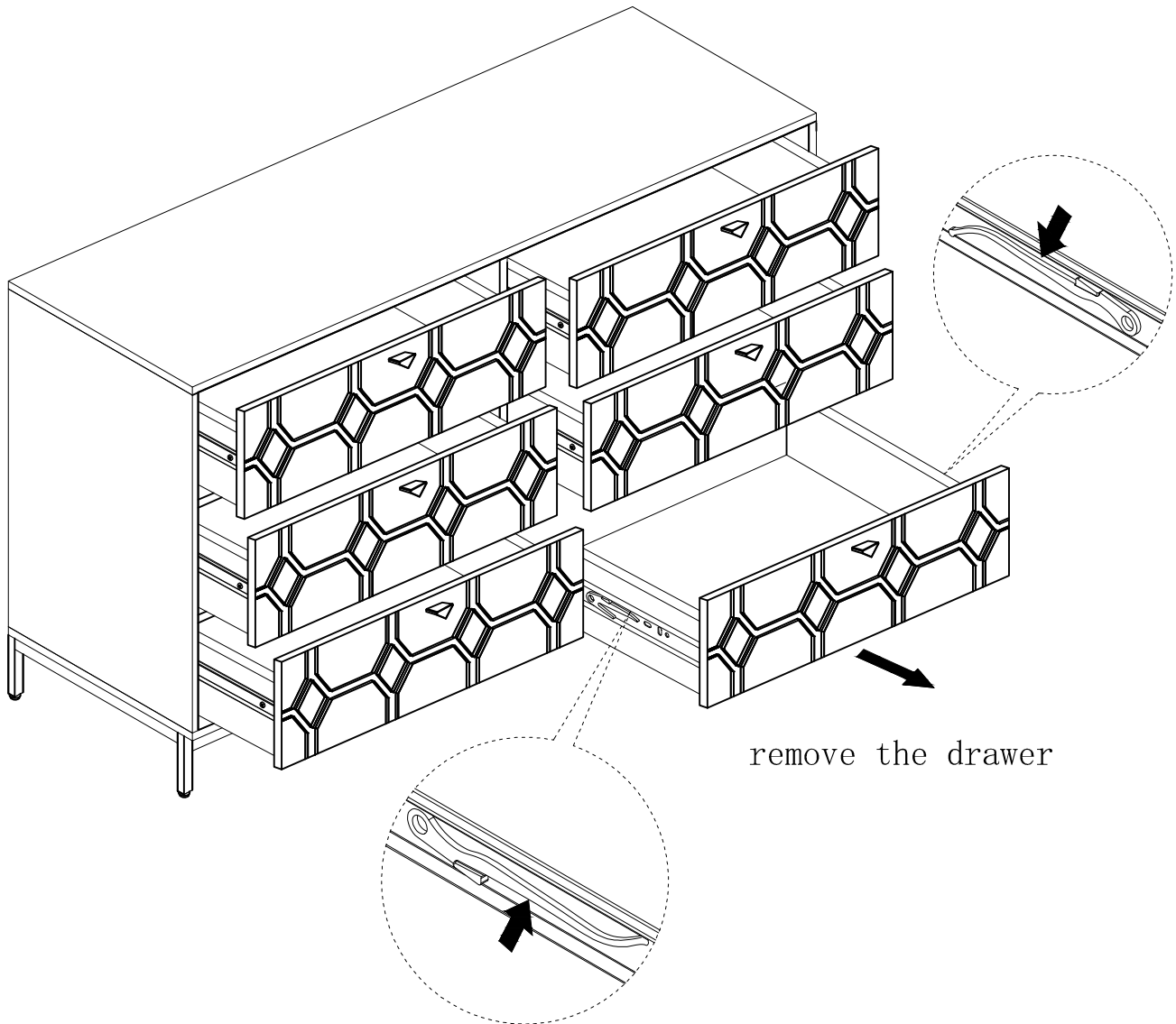
STEP 6

Note: Place the slidable part to the front position before sliding in



Reminder: If the front and both ends of the drawer are tilted, do not use force, You can refer to the above steps to smoothly insert the slide rail.

STEP 7






remove the drawer

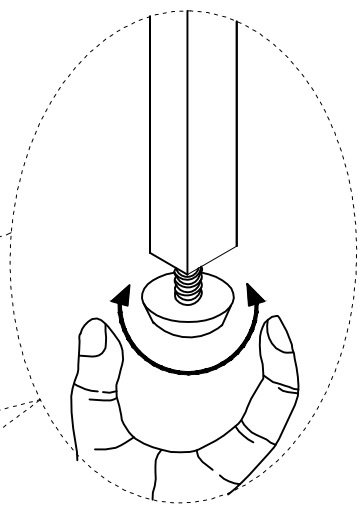
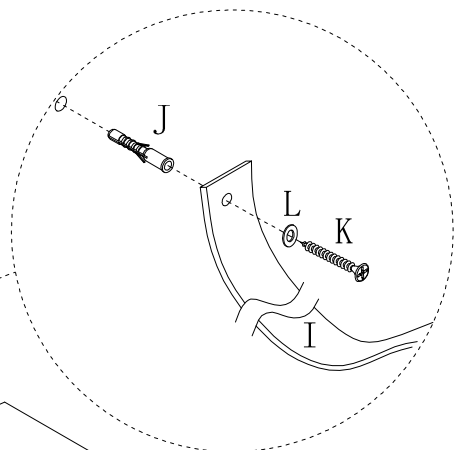
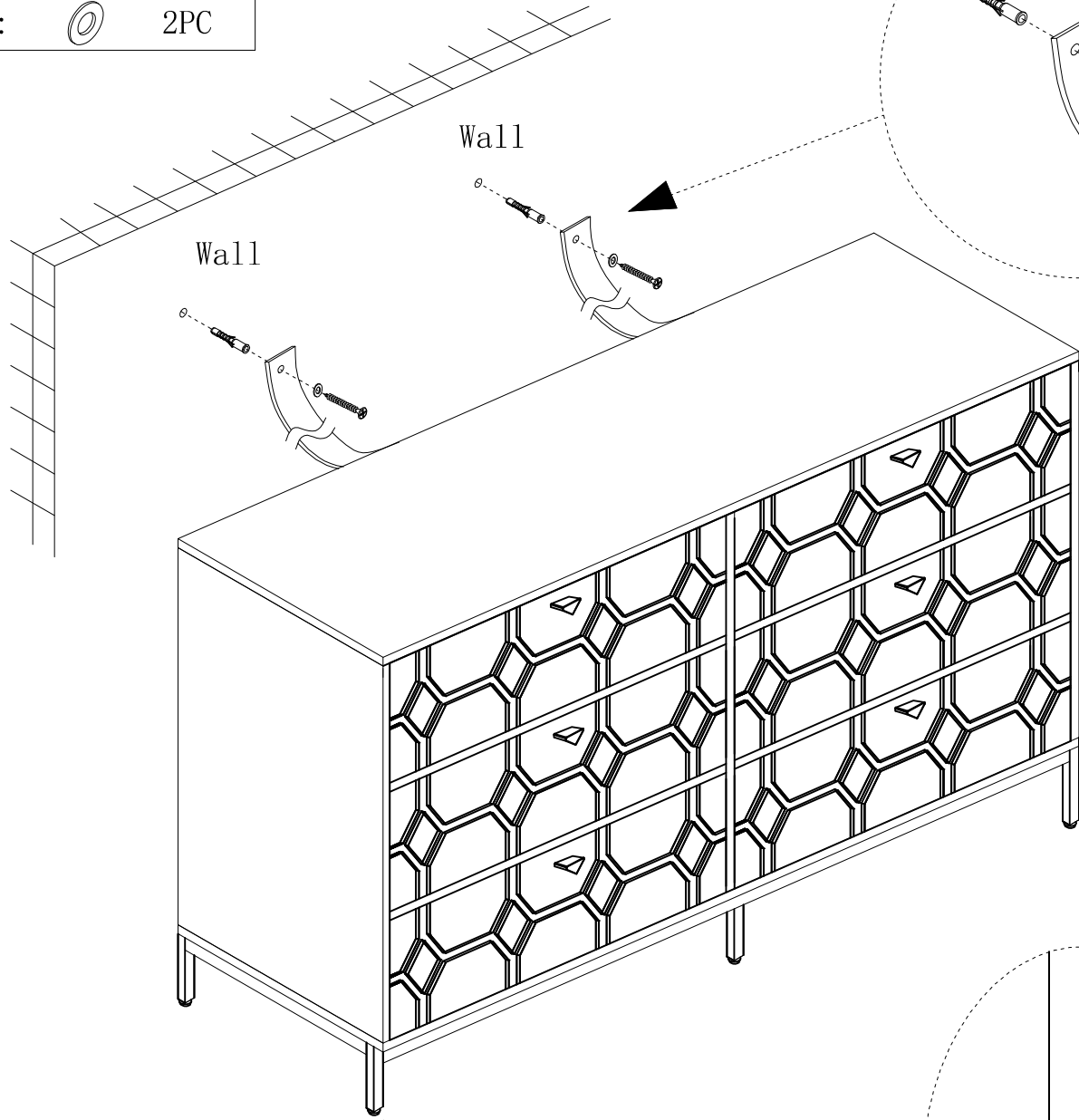
To remove the drawer. lift up on the left side buckle and press down on the right side buckle, operating both left and right at the same time, and move outward to remove it.

ASSEMBLY INSTRUCTION

STEP 8

J:		2PC
K:		2PC
L:		2PC

For safety reasons, it is recommended to install safety wall strap to fix the item



After installation, adjust the adjustable foot to keep the cabinet balanced and align the door.