

ASSEMBLY INSTRUCTIONS



Fine Furniture for every stage of life

2Pc Nesting Table

ASSEMBLY INSTRUCTIONS

ASSEMBLY TIPS:

1. Remove hardware from box and sort by size.
2. Please check to see that all hardware and parts are present prior to start of assembly.
3. Please follow attached instructions in the same sequence as numbered to assure fast & easy assembly.



WARNING!





1. Don't attempt to repair or modify parts that are broken or defective. Please contact the store immediately.
2. This product is for home use only and not intended for commercial establishments.




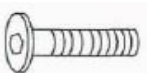


ASSEMBLY TIME

15 MINUTES

PARTS IDENTIFICATION

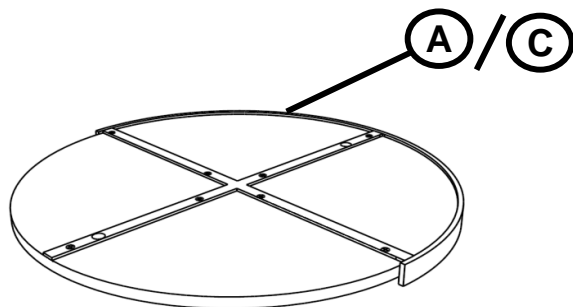
A	LARGE TOP		1PC
B	LARGE LEG		1PC
C	SMALL TOP		1PC
D	SMALL LEG		1PC

HARDWARE IDENTIFICATION

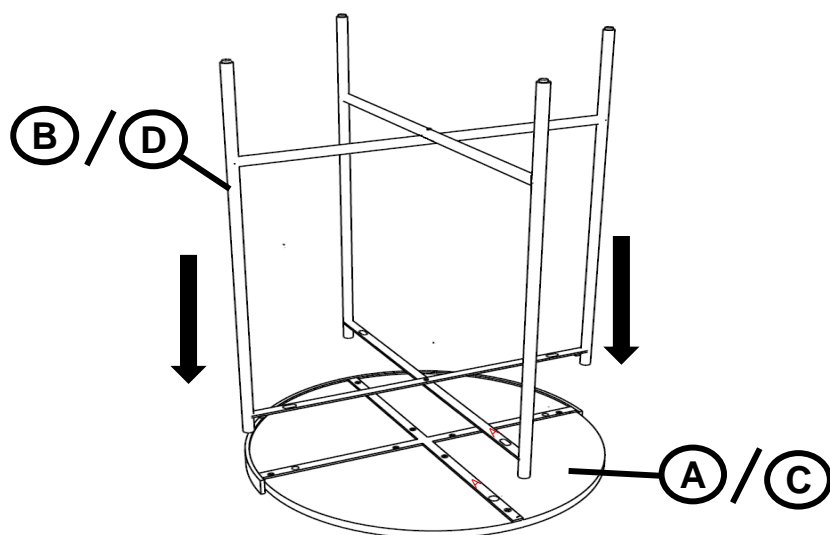
1	SHORT BOLT (M8 x 20mm - BLK)		2PCS
2	LONG BOLT (M8 x 30mm - BLK)		2PCS
3	FLAT WASHER (M10 x 16mm - BLK)		4PCS
4	ALLEN WRENCH (4mm - BLK)		1PC

ASSEMBLY INSTRUCTIONS

STEP 1

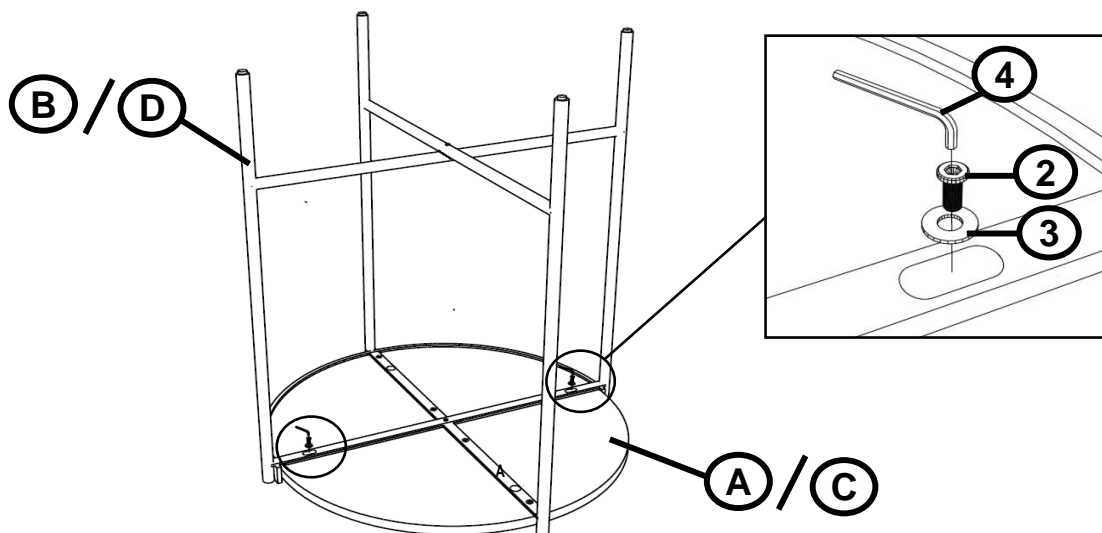


STEP 2



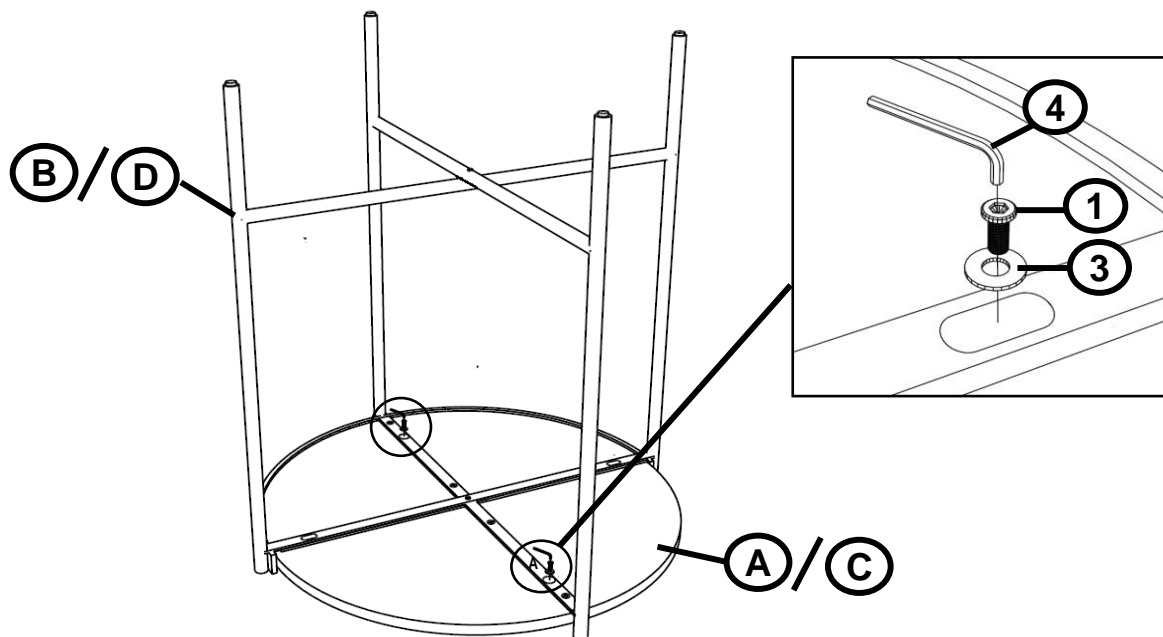
Note : Open the legs prior to assembly
Kindly position the top and base with punch mark 'A' & rest of the whole will be aligned to screw bolts.

STEP 3



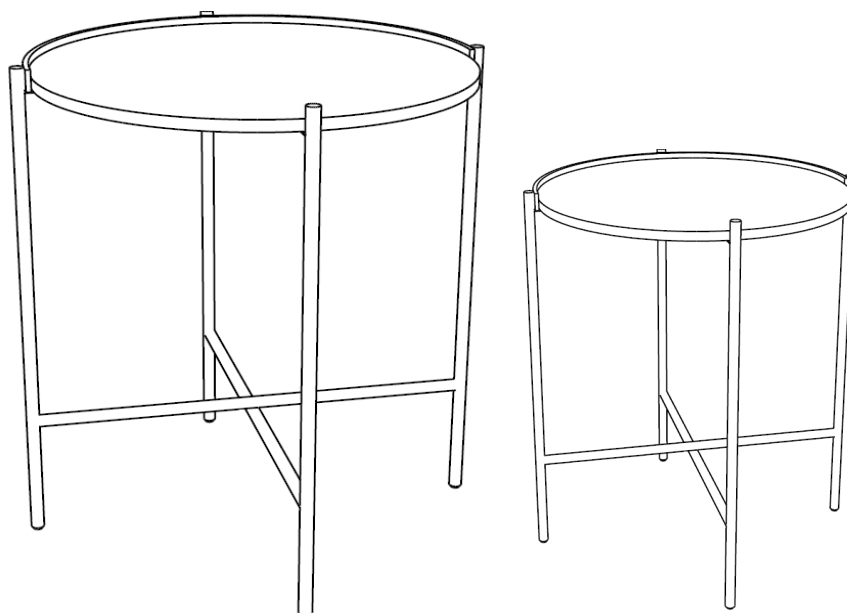
ASSEMBLY INSTRUCTIONS

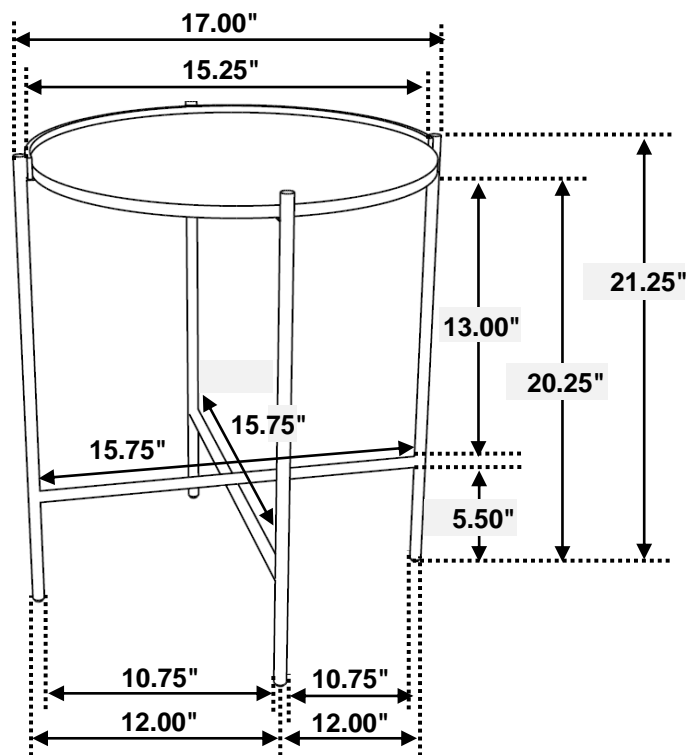
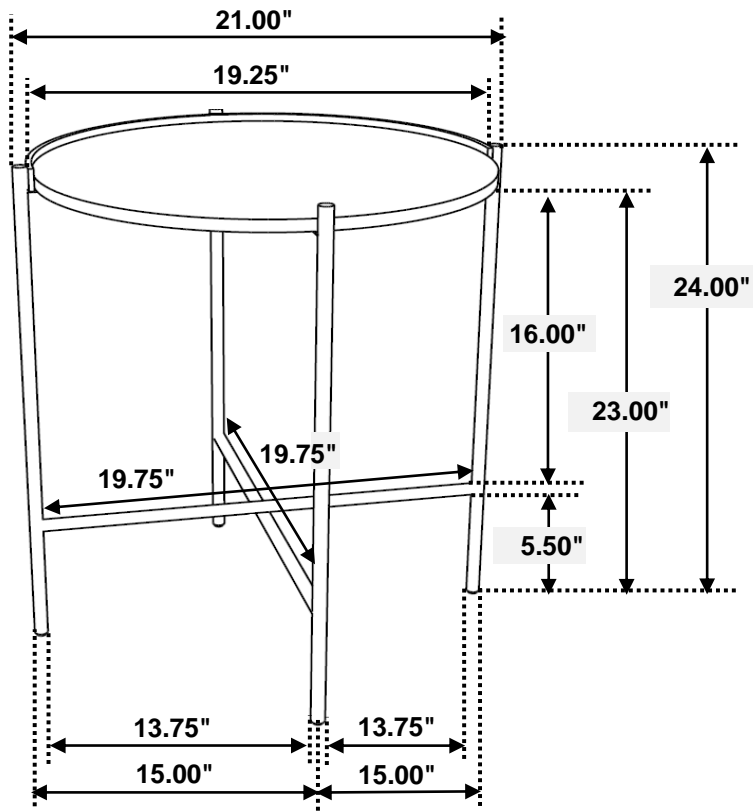
STEP 4



STEP 5

COMPLETE





Note : Dimension tolerance $\pm 5\%$