

# ASSEMBLY INSTRUCTIONS - SOFA

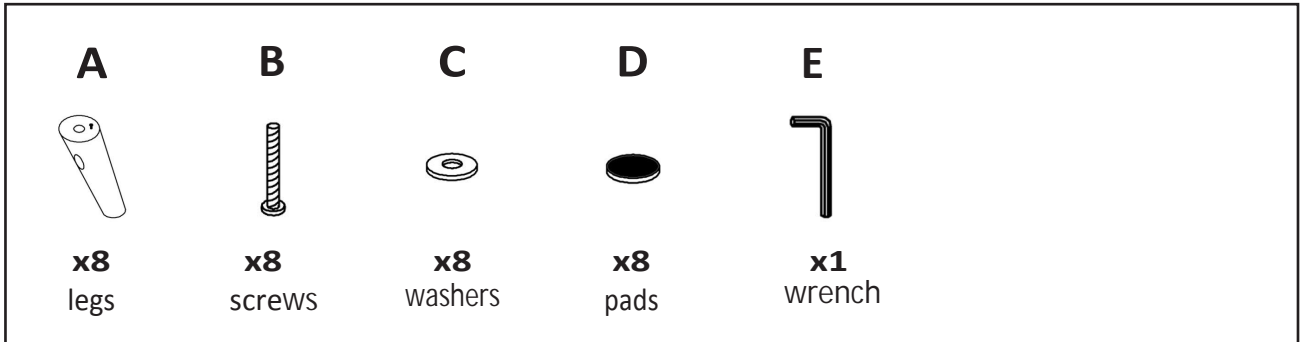
Please check that no accessories are missing before beginning assembly.



Attention, this product must be assembled on a clean surface, so as not to damage the product.



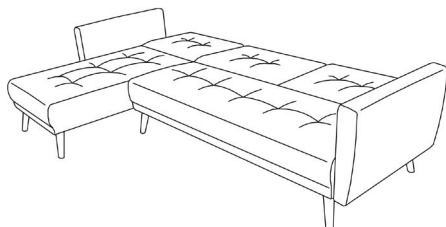
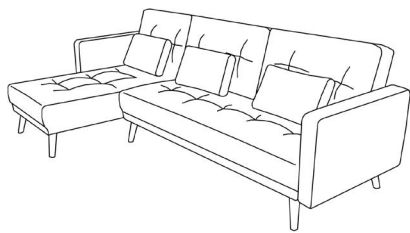
1



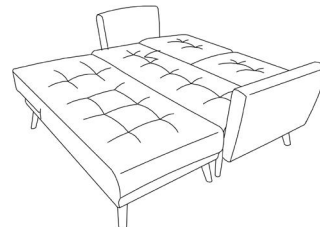
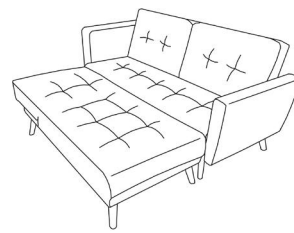
---

## 2. CHOOSE A CONFIGURATION

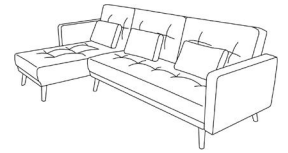
**CONFIGURATION 1**



**CONFIGURATION 2**

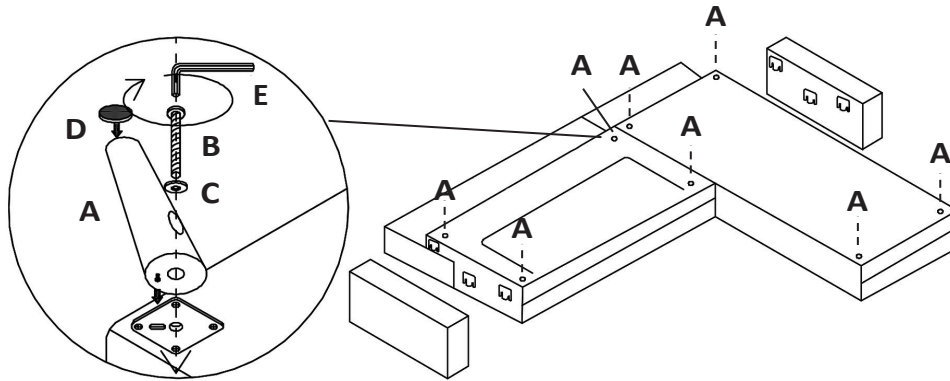


# CONFIGURATION 1



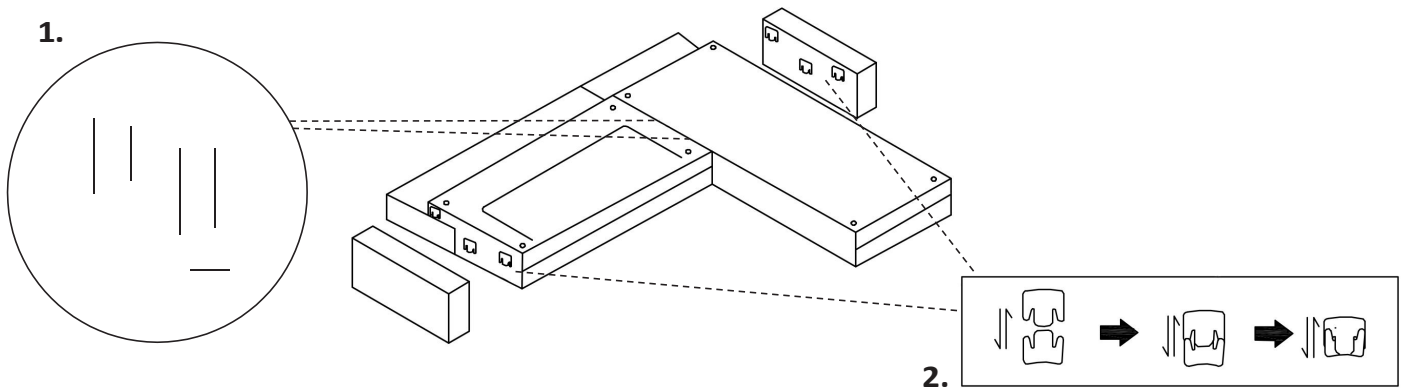
## 1. ATTACHING THE FEET TO THE SOFA AND LUNCH

Glue the glides D under the legs A. Screw the legs to the sofa and to the chaise longue, using the wrench E. Use the screws B and the washers C.



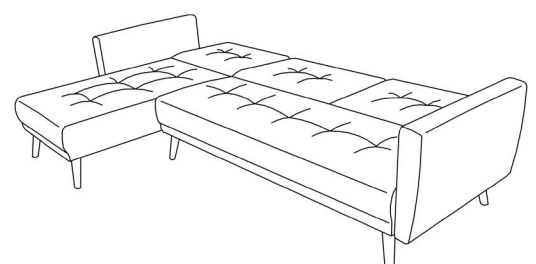
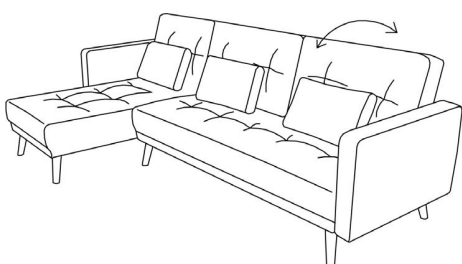
## 2. ASSEMBLE THE SOFA

1. Screw the two hooks F to the sofa using the G screws. The different hook attachment points are fitted on the sides of the sofa and the chaise longue.
2. Then, fix the chaise longue to the central part of the sofa with the two F hooks. The clack confirms that the chaise longue is well fixed.
3. Finally, assemble the armrests to the sofa and the chaise longue, using the three connectors located on the side, as shown below:

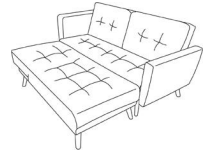


## 3. BED POSITION

To change the position of the sofa, simply fold up or raise the rod at the back of the backrest.

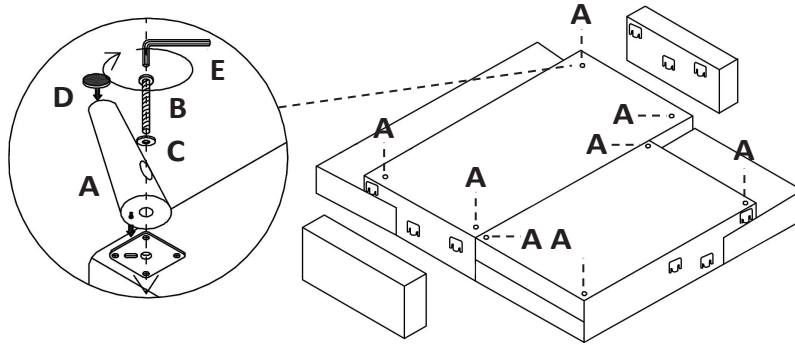


# CONFIGURATION 2



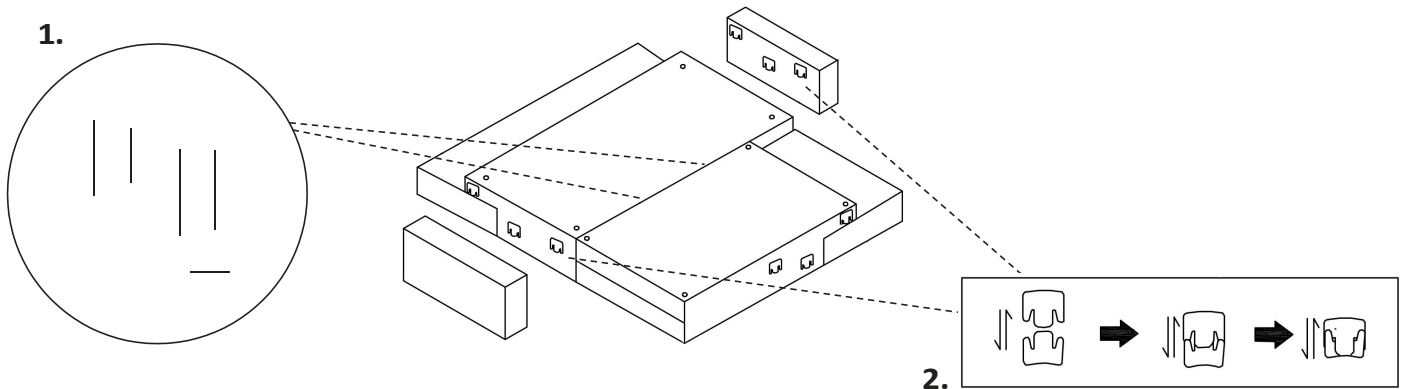
## 1. ATTACHING THE FEET TO THE SOFA AND LUNCH

Glue the glides D under the legs A. Screw the legs to the sofa and to the chaise longue, using the wrench E. Use the screws B and the washers C.



## 2. ASSEMBLE THE SOFA

1. Screw the two hooks F to the sofa using the G screws. The different hook attachment points are fitted on the sides of the sofa and the chaise longue. 2. Then, fix the chaise longue to the central part of the sofa with the two F hooks. The click confirms that the chaise longue is well fixed. 3. Finally, assemble the armrests to the sofa and the chaise longue, using the three connectors located on the side, as shown below:



## 3. BED POSITION

To change the position of the sofa, simply fold up or raise the rod at the back of the backrest.

