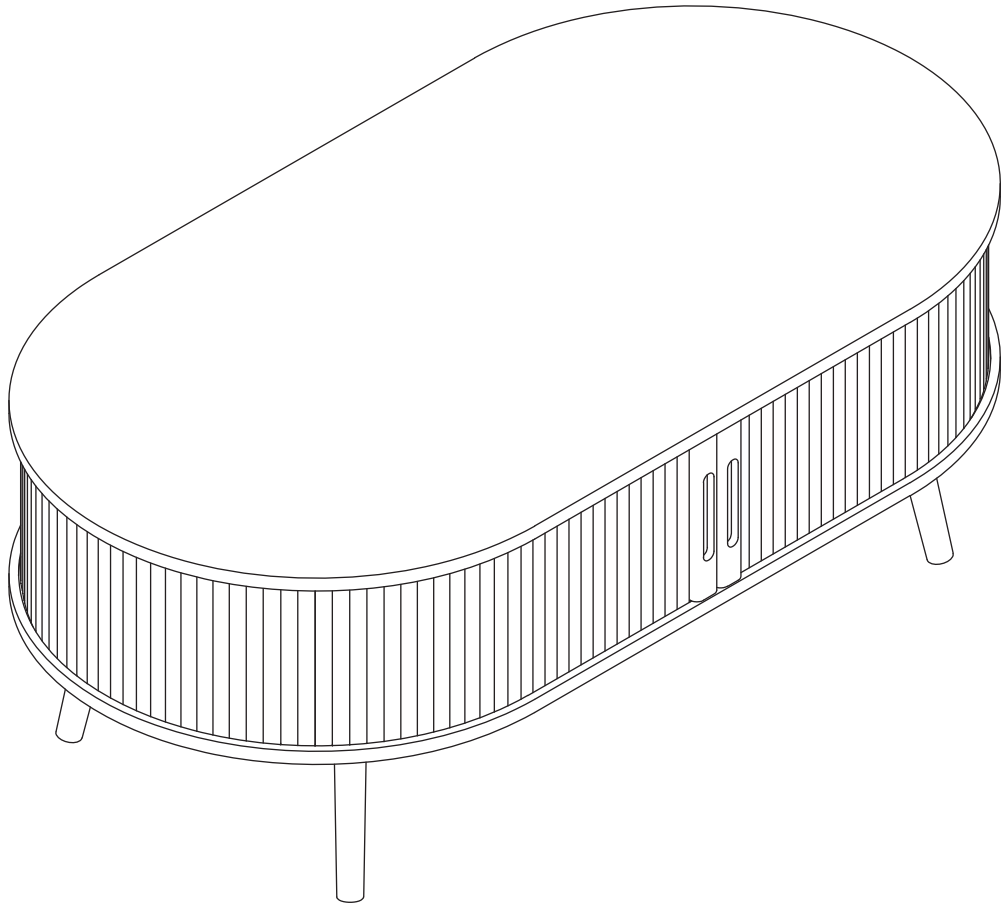
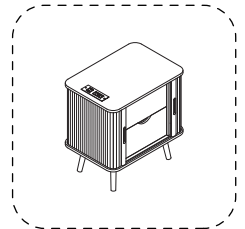
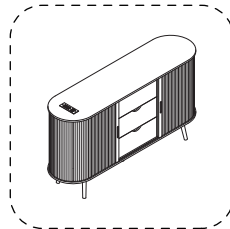
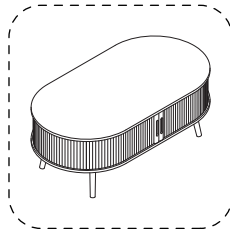
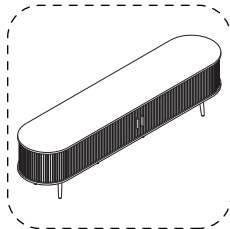
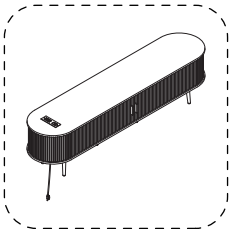


ASSEMBLING INSTRUCTION



Furniture Set



This instruction booklet contains important safety information. please read and keep for future reference.

TIPS BEFORE YOU START

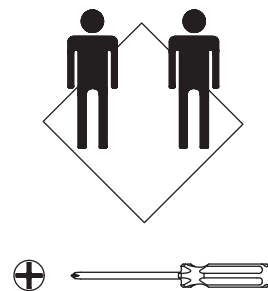
1. Please check that all parts are present before you start the assembly of your furniture.
2. For ease and speed of assembly, we recommend that before you commence each step of the assembly, that you identify all the parts required for that step.
3. For larger items, please ensure that you have sufficient space and people to assemble your product safely.
4. We recommend that, where possible, all items are assembled near to the area in which they will be placed in use, to avoid moving the product unnecessarily once assembled.
5. For the protection of your furniture, we recommend that the unit is assembled on a soft surface such as carpet or blanket to prevent any damage.
6. During assembly please take care not to over-tighten any fittings, as this may damage the product. Do not use power tools, as power tools can strip threads if over tightened.
7. Always place the product on a flat, steady and stable surface.
8. Do not stand on the product. Do not use the product as a stepladder.
9. This product is intended for indoor, household use only as it is a non-industrial product.
10. Please use caution and care when lifting the product to avoid personal injury and/or product damage.

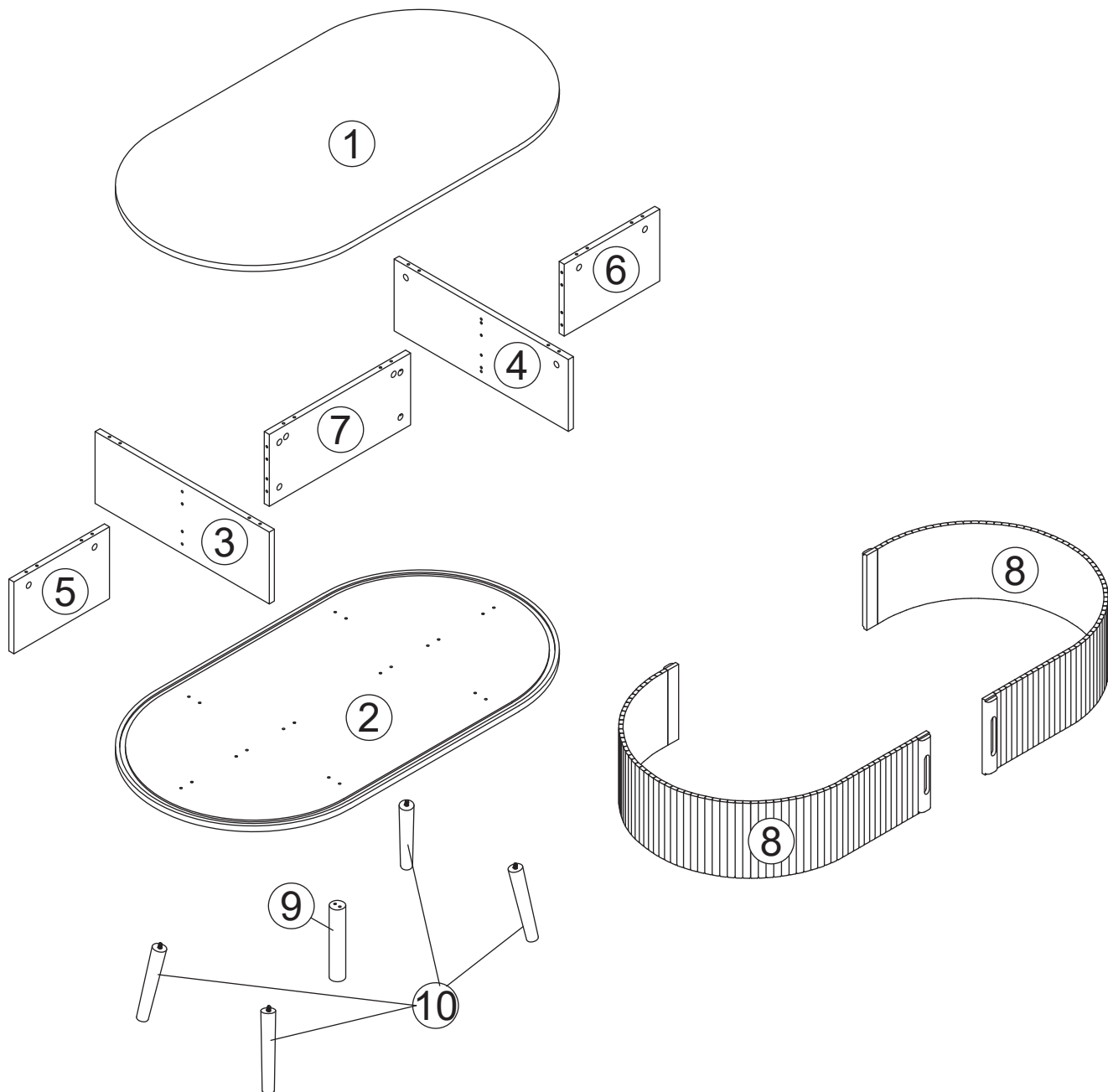
CARE AND MAINTENANCE OF YOUR FURNITURE

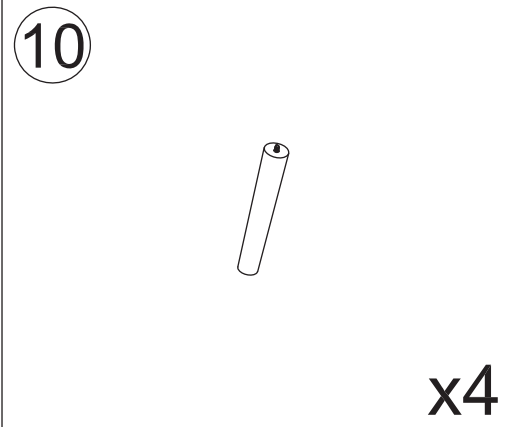
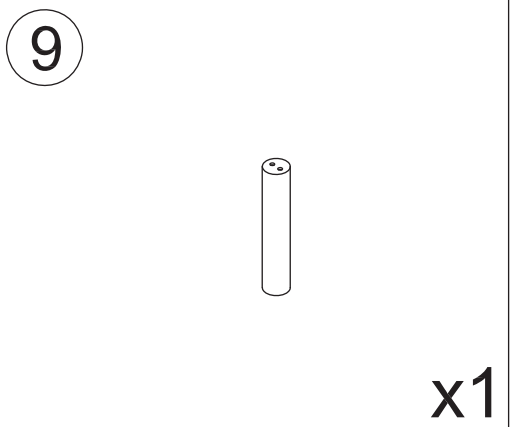
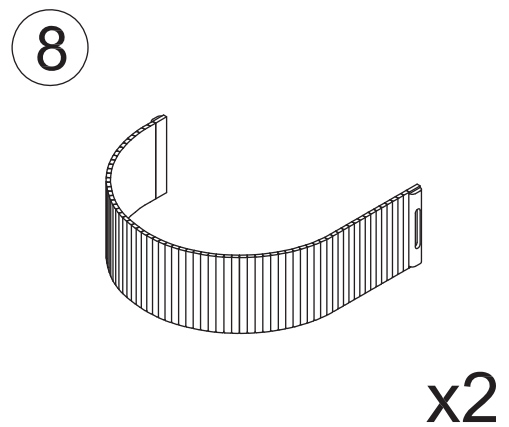
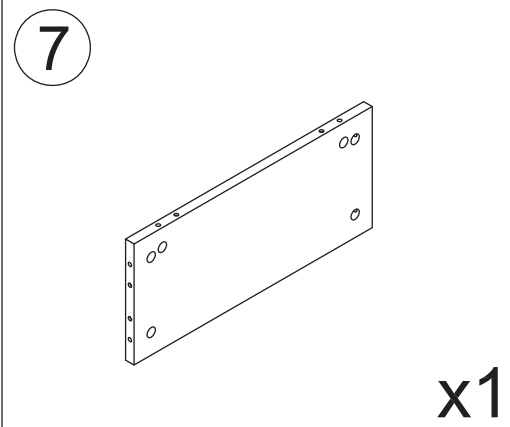
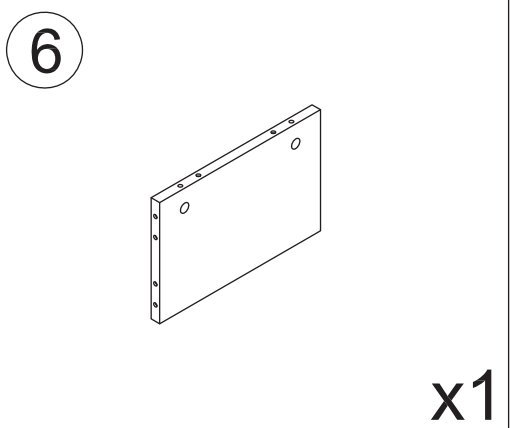
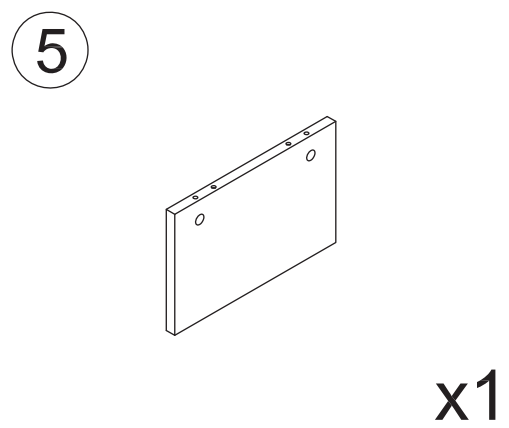
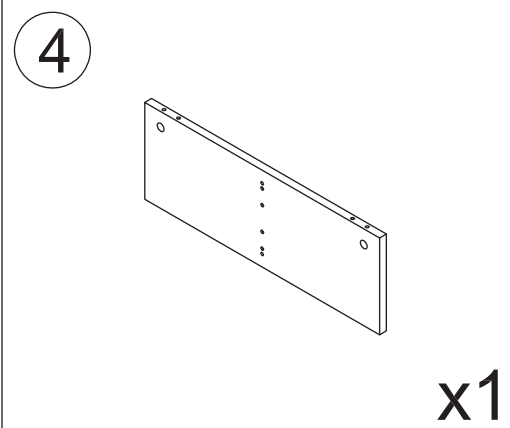
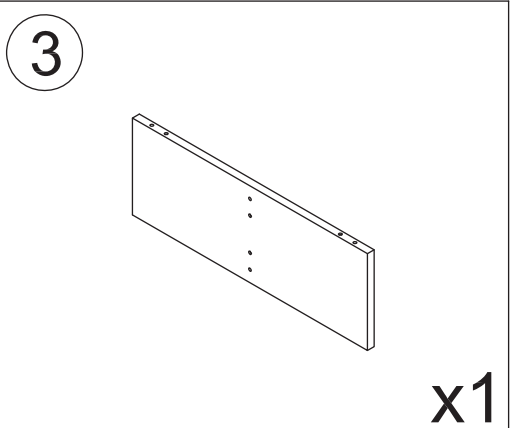
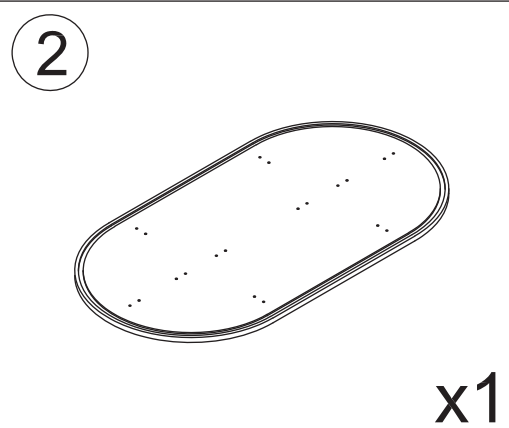
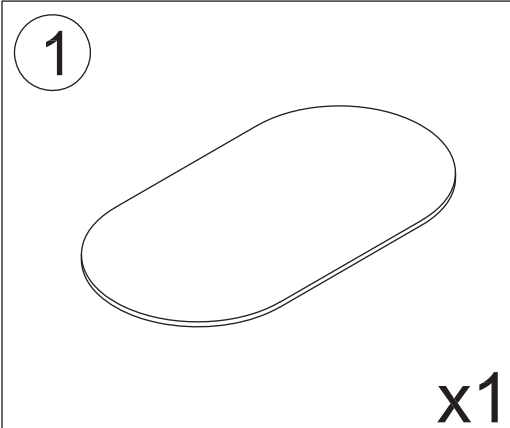
- Please periodically check all fittings and re-tighten as necessary.
- From time to time check that there are no loose screws on this unit.
- To clean glass, please use glass cleaner.
- Never allow any kind of liquid to remain on your furniture. Absorption can cause wood to warp or finishes to de-laminate.
- Please do not place hot items (eg. hot drinks) directly on to the surface.
- When moving this furniture item, The unit must be team lifted, not dragged or pushed
Failure to do so could cause instability, product collapse, and/or serious injury.

ASSEMBLY REQUIREMENTS

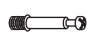
- Equipment: phillips head screwdriver.
- 2 x adults required.
- 2m x 2m assembly space required.
- 1.5 hour assembly time approx.

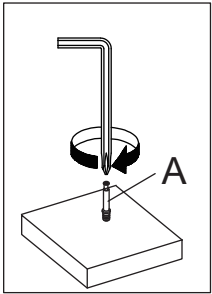
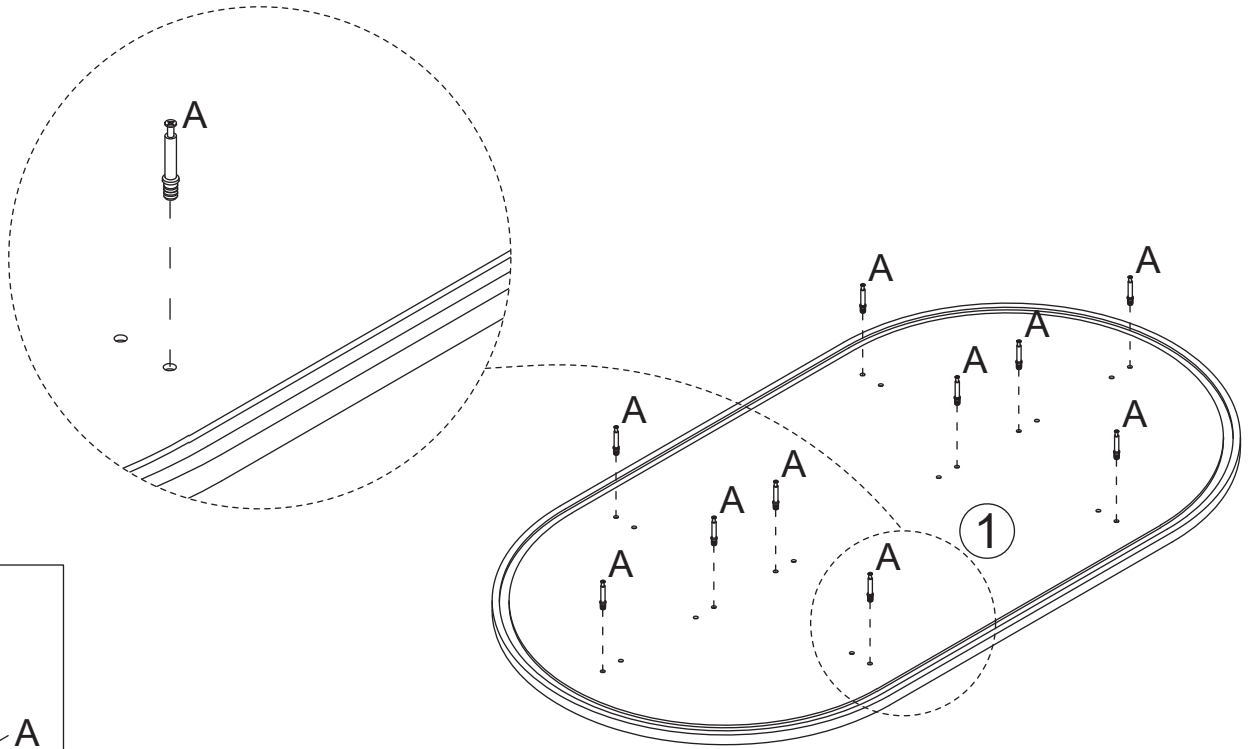




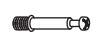


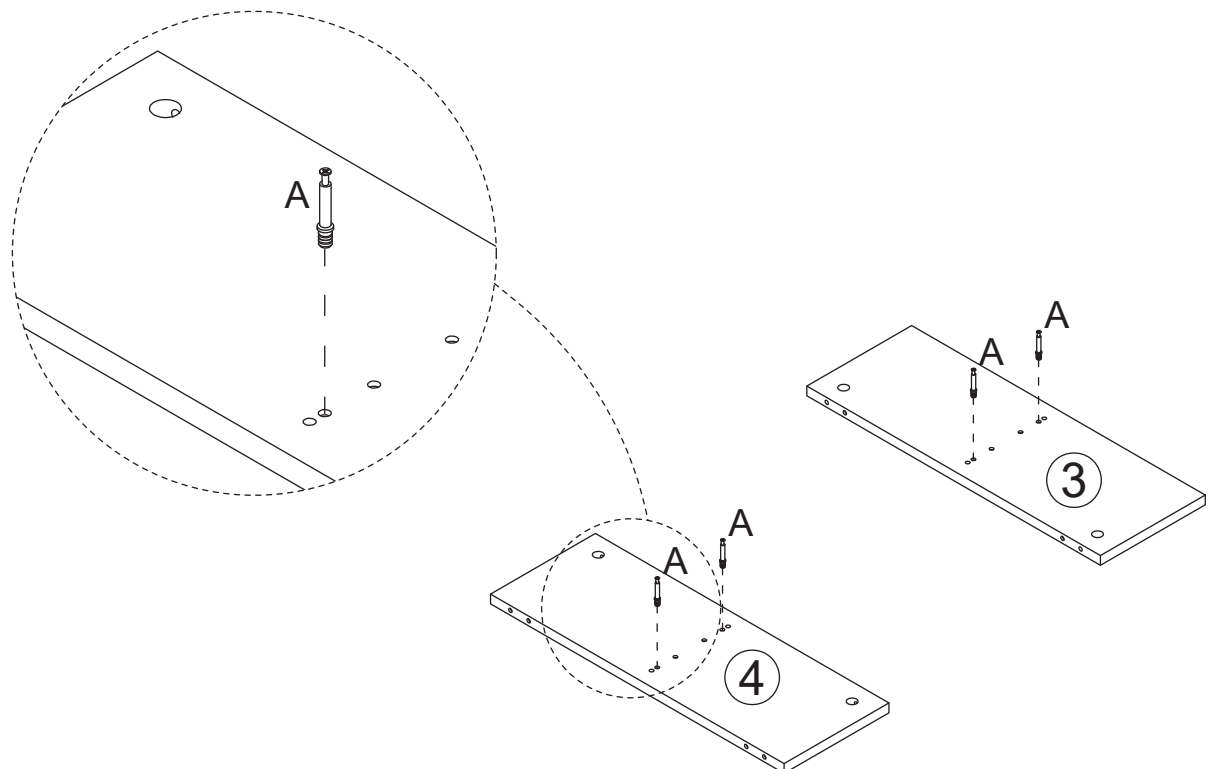
Step:1

A		x10
---	--	-----


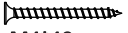


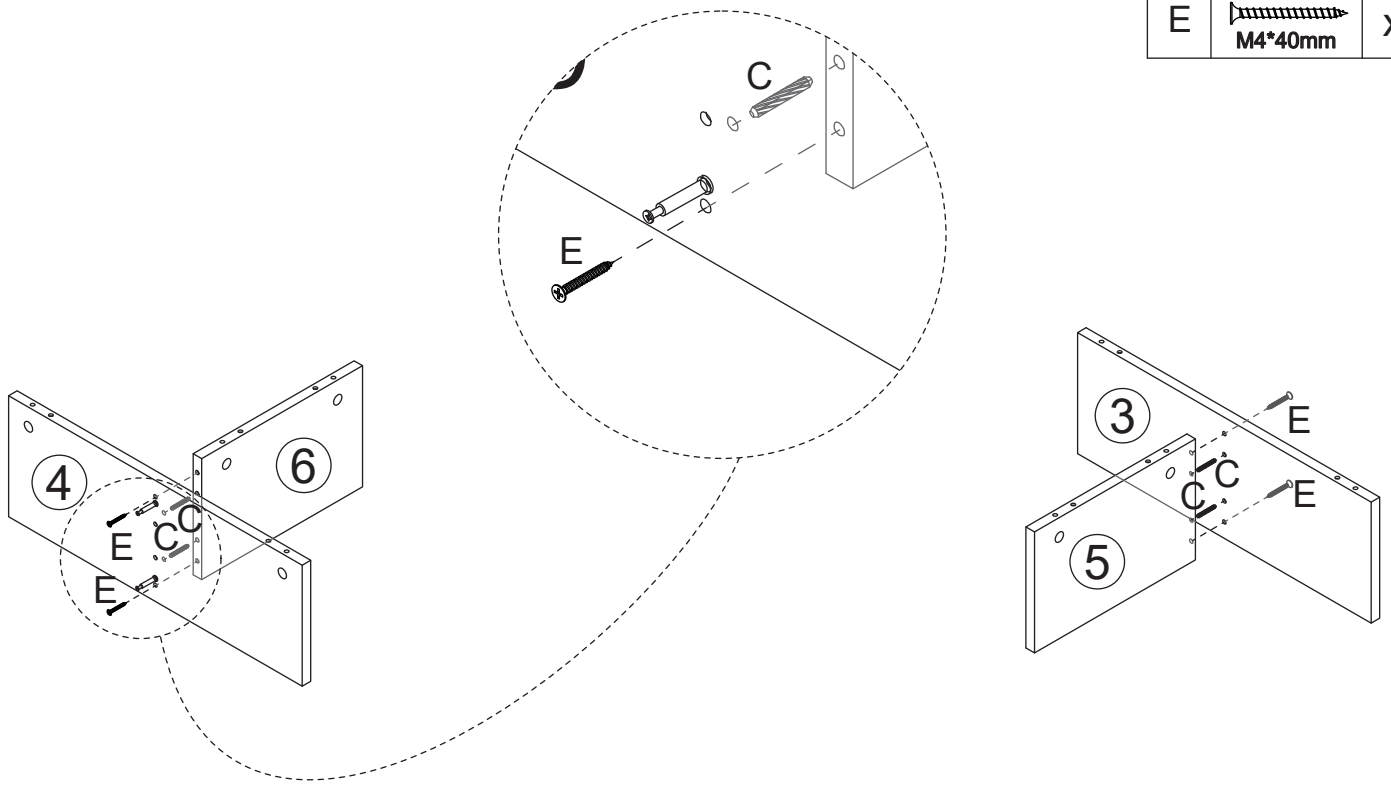
Step:2

A		x4
---	---	----






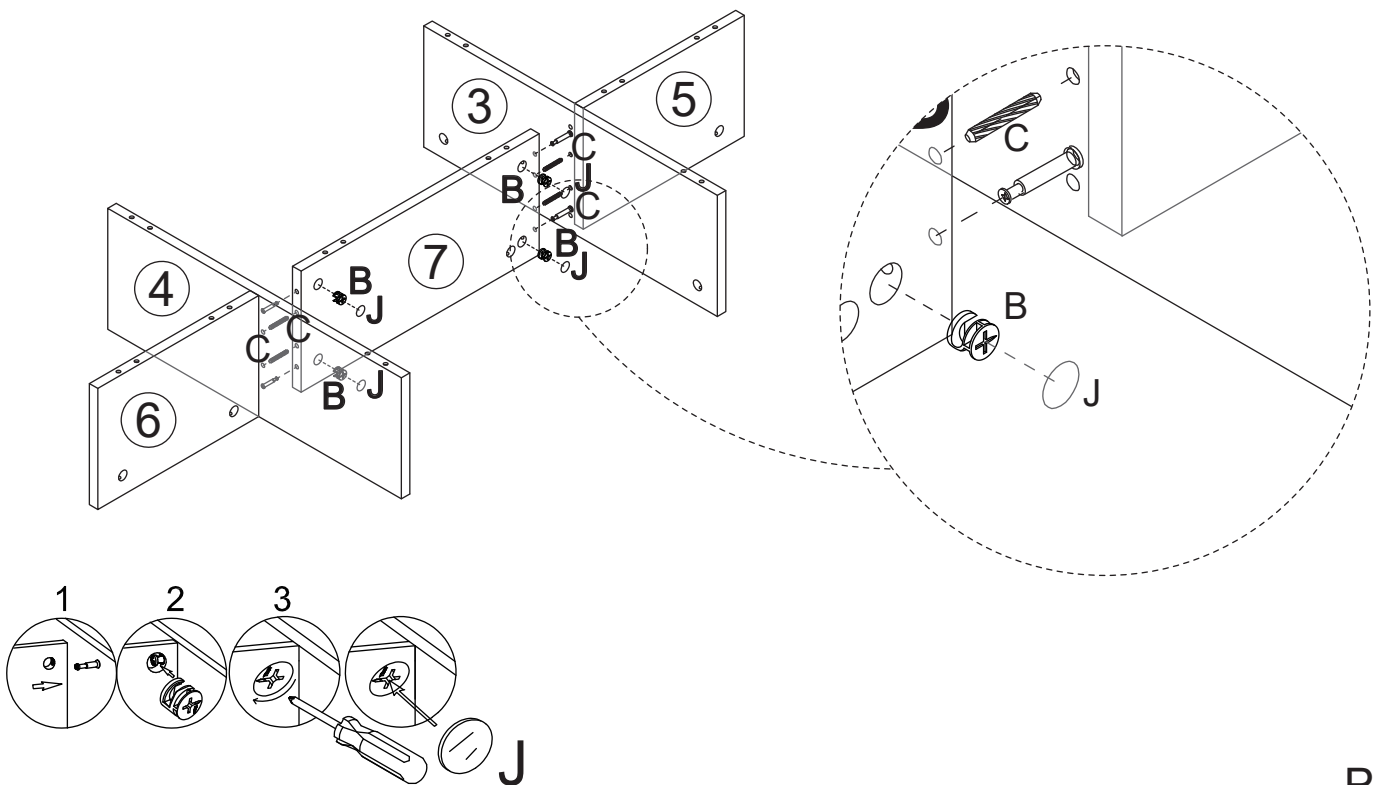
Step:3

C		x4
E	 M4*40mm	x4






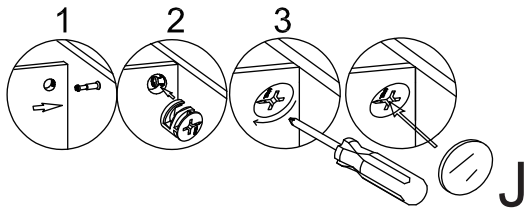
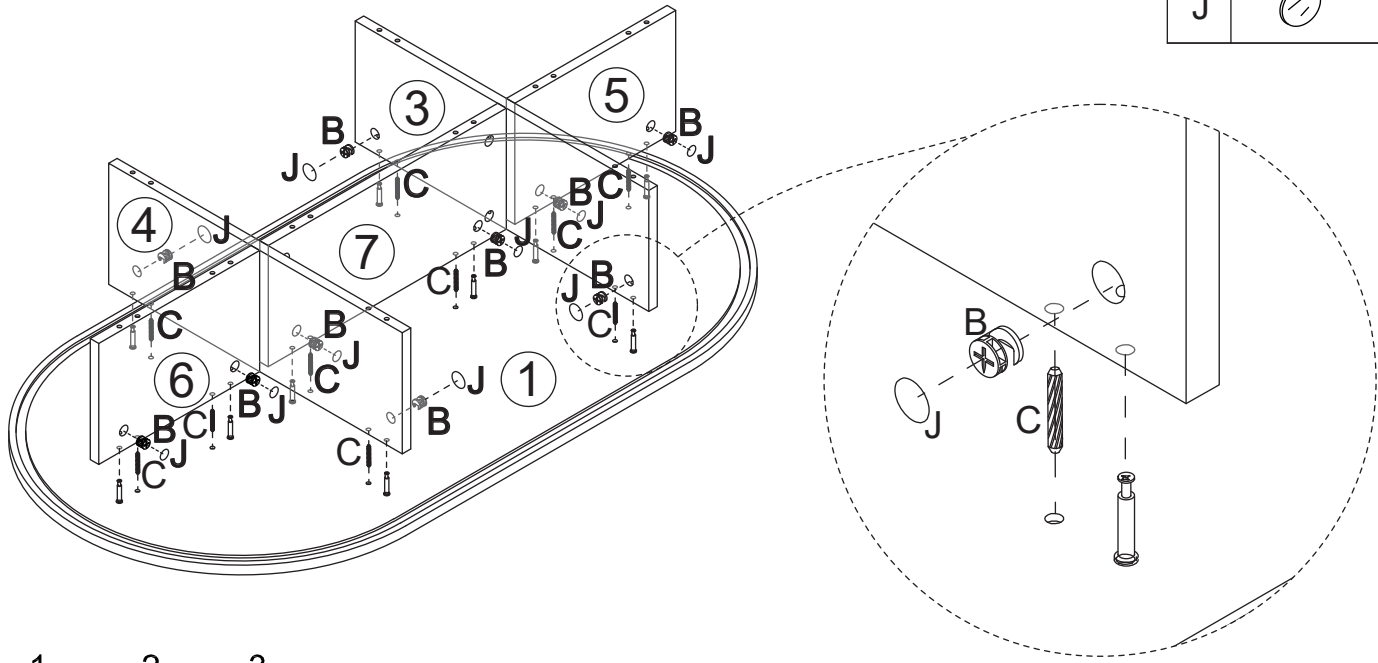
Step:4

B		x4
C		x4
J		x4

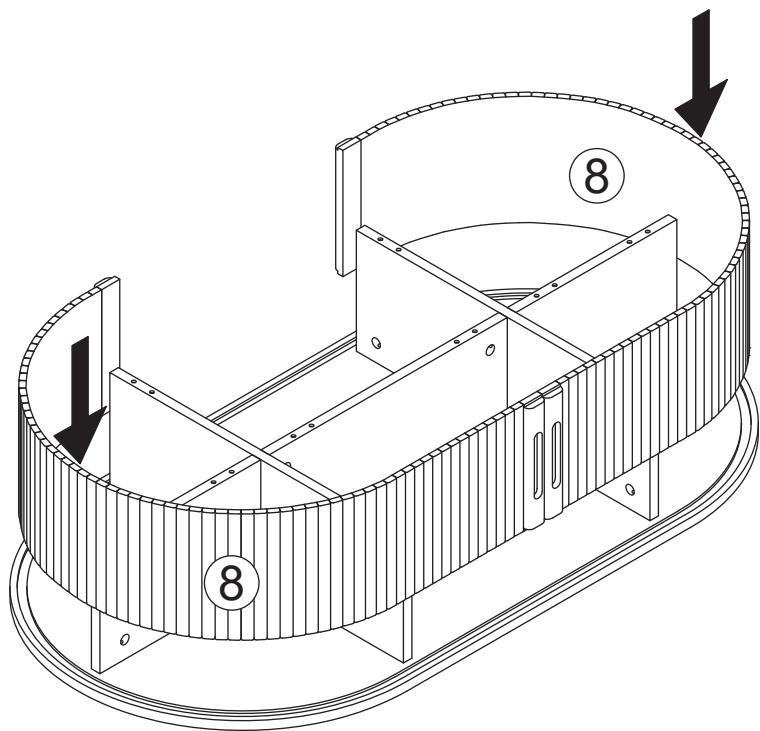


Step:5


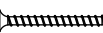
B		x10
C		x10
J		x10

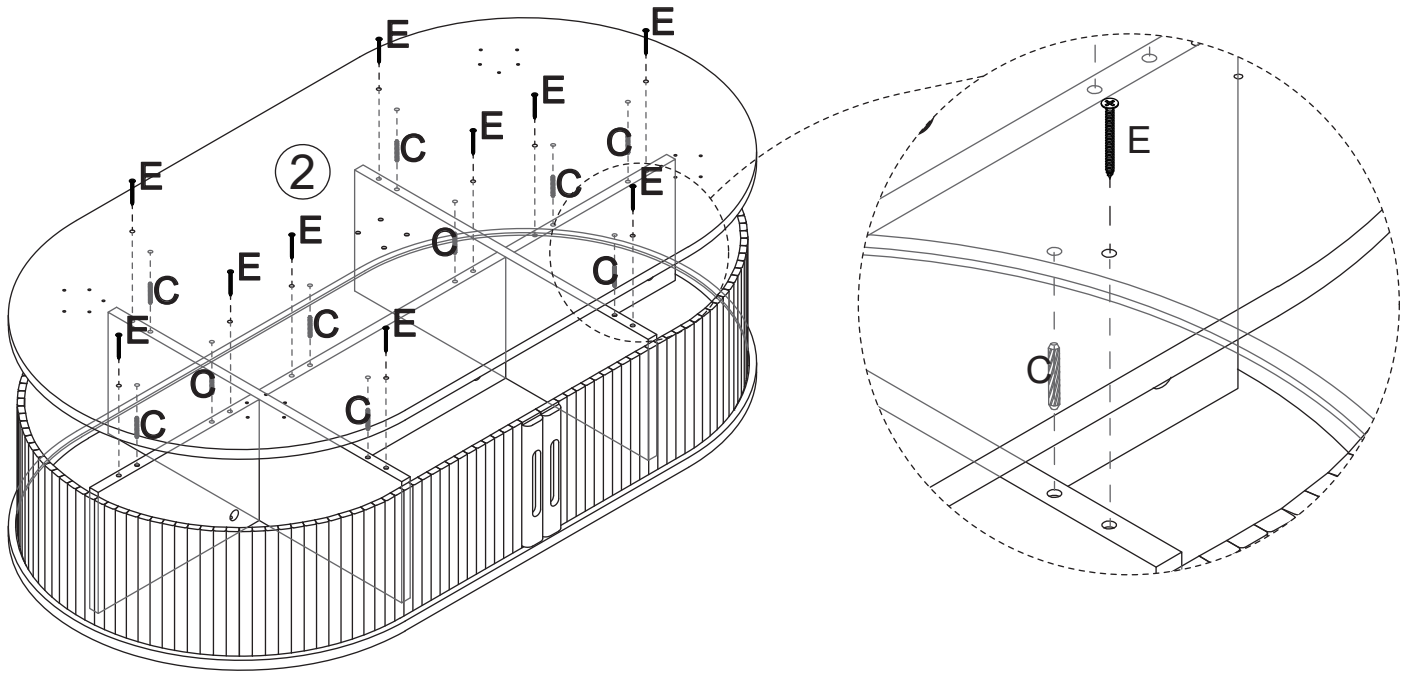


Step:6

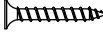






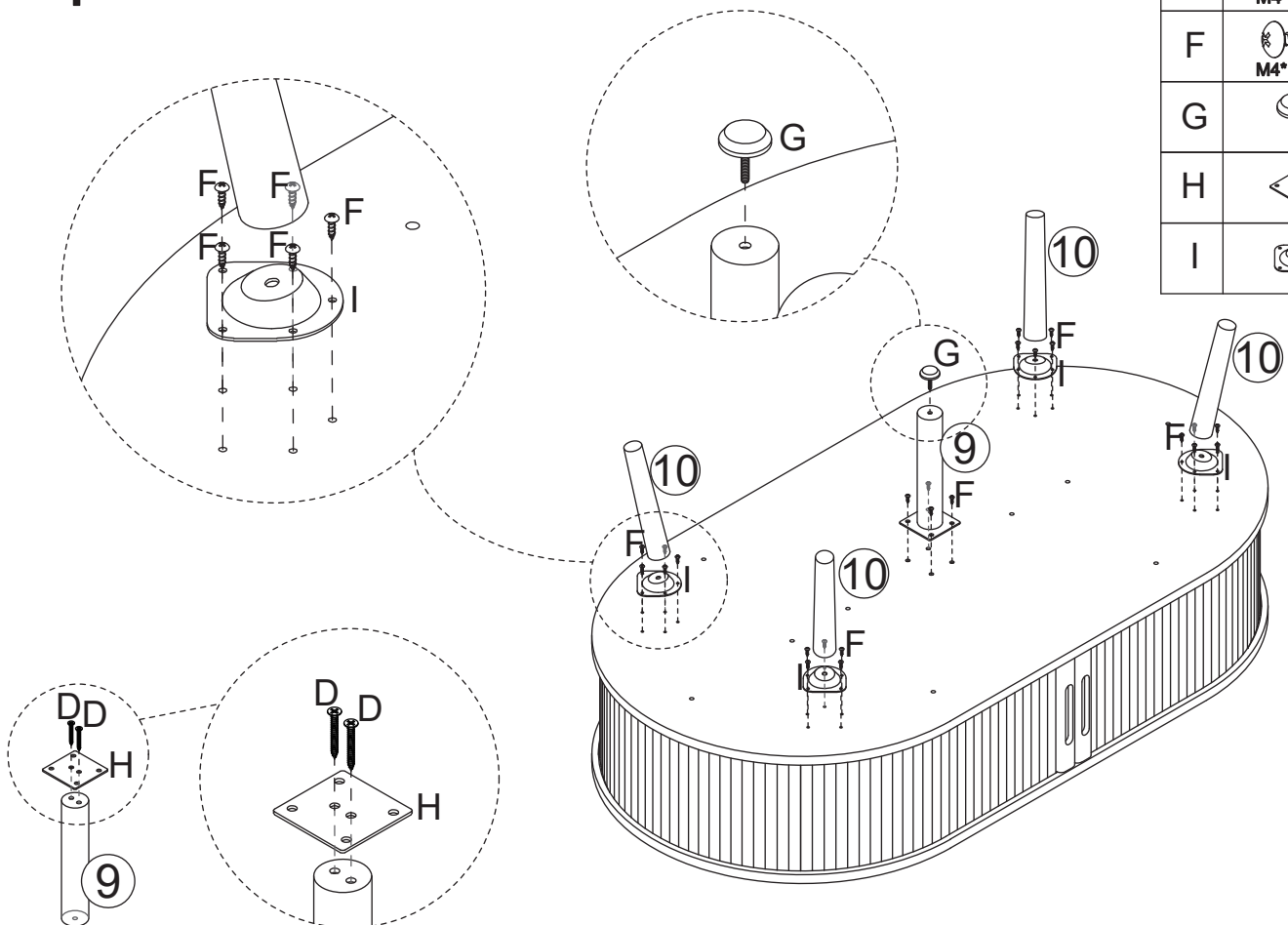
Step:7

C		x10
E	 M4*40mm	x10



Step:8

D	 M4*30mm	x2
F	 M4*14mm	x24
G		x1
H		x1
I		x4



Step:9

