









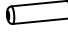

# COFFEE TABLE

Assembly instructions:

## PARTS LIST

No.	DESCRIPTION	IMAGE	Q'TY
P1	LEG FRAME 1		1
P2	LEG FRAME 2		1
P3	LEG FRAME 3		1
P4	TABLE TOP		1

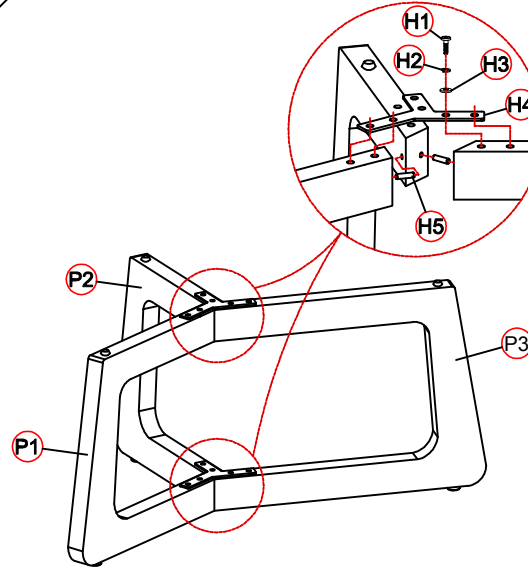
## HARDWARE LIST

No.	DESCRIPTION	IMAGE	Q'TY
H1	BOLT (Ø1/4" x 15 MM)		12
H2	SPRING WASHER (Ø1/4")		12
H3	FLAT WASHER (Ø1/4")		12
H4	METAL BRACKET		2
H5	WOODEN DOWEL		4
H6	ALLEN KEY		1

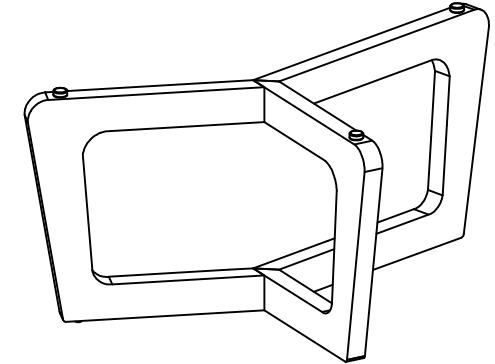
**NOTE:** PO # is located underneath/ at the back side of each item. Please be prepared to provide this # should any claim be necessary.

**CAUTION:** Item is heavy. Assembly should be performed by two people.

1

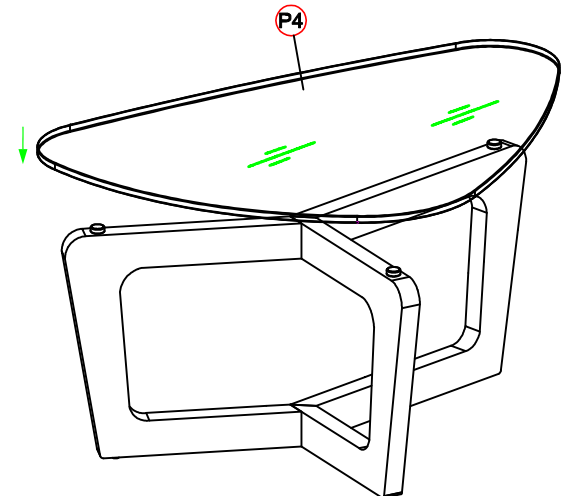


2



\* UPSIDE DOWN FRAME

3



ASSEMBLY COMPLETED