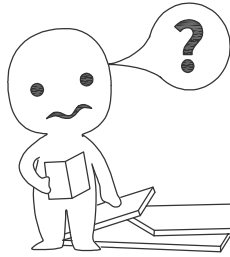
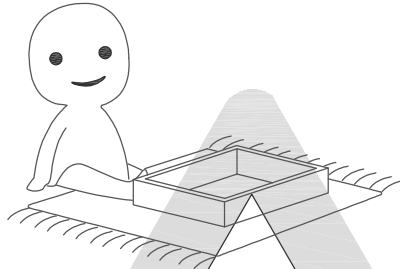
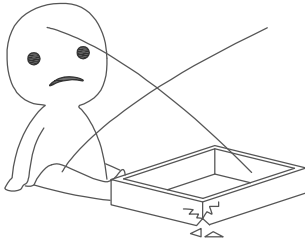


**NOTE:** Please contact us in time. If you find any accessories missing or damaged in the package, we will send you the corresponding accessories for free.



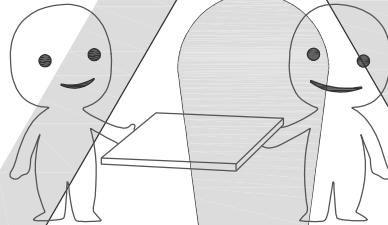
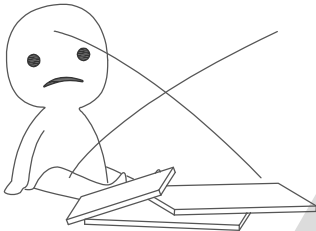
### **IMPORTANT INFORMATION!**

please read the entire manual before starting to assemble and/or using this product. follow the manual thoroughly and keep it for further reference.



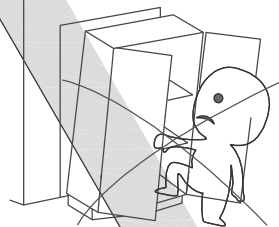
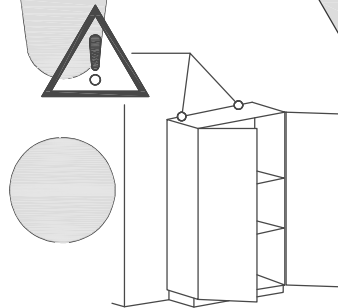
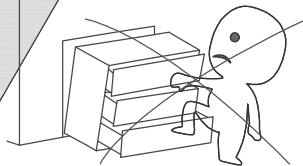
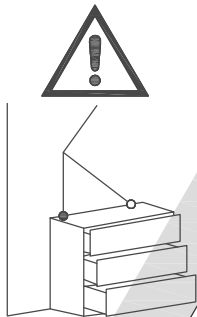
### **AVOID SCRATCHES!**

In order to avoid scratching this furniture should be assembled on a soft layer—could be a rug.



### **IMPROVE EFFICIENCY !**

Try to find a partner to install with you, which can speed up the installation efficiency and shorten the time.



### **ANTI-TOPPLE WARNING !**

Overturned furniture can cause serious or fatal crush injuries. To prevent tipping over, be sure to use the wall attachment, if not included with this product. Please purchase the wall attachment that fit your wall. If unsure, seek professional advice. Please read and follow each step of the instructions carefully.

### **IMPORTANT !**

It is important that any product which is assembled using any kind of screw is re-tightened 2 weeks after assembly, and once every 3 months - in order to assure stability through-out the lifespan of the product.

For regular maintenance and cleaning of the product, for the frame, please use a rag dipped in neutral detergent to fully wipe it, and then dry it with a clean rag. For glass materials, wipe with a rag dampened with water glass cleaner, and then dry with a dry rag.

Do not use an electric screwdriver, and do not use too much force when installing, because the board is easy to break.



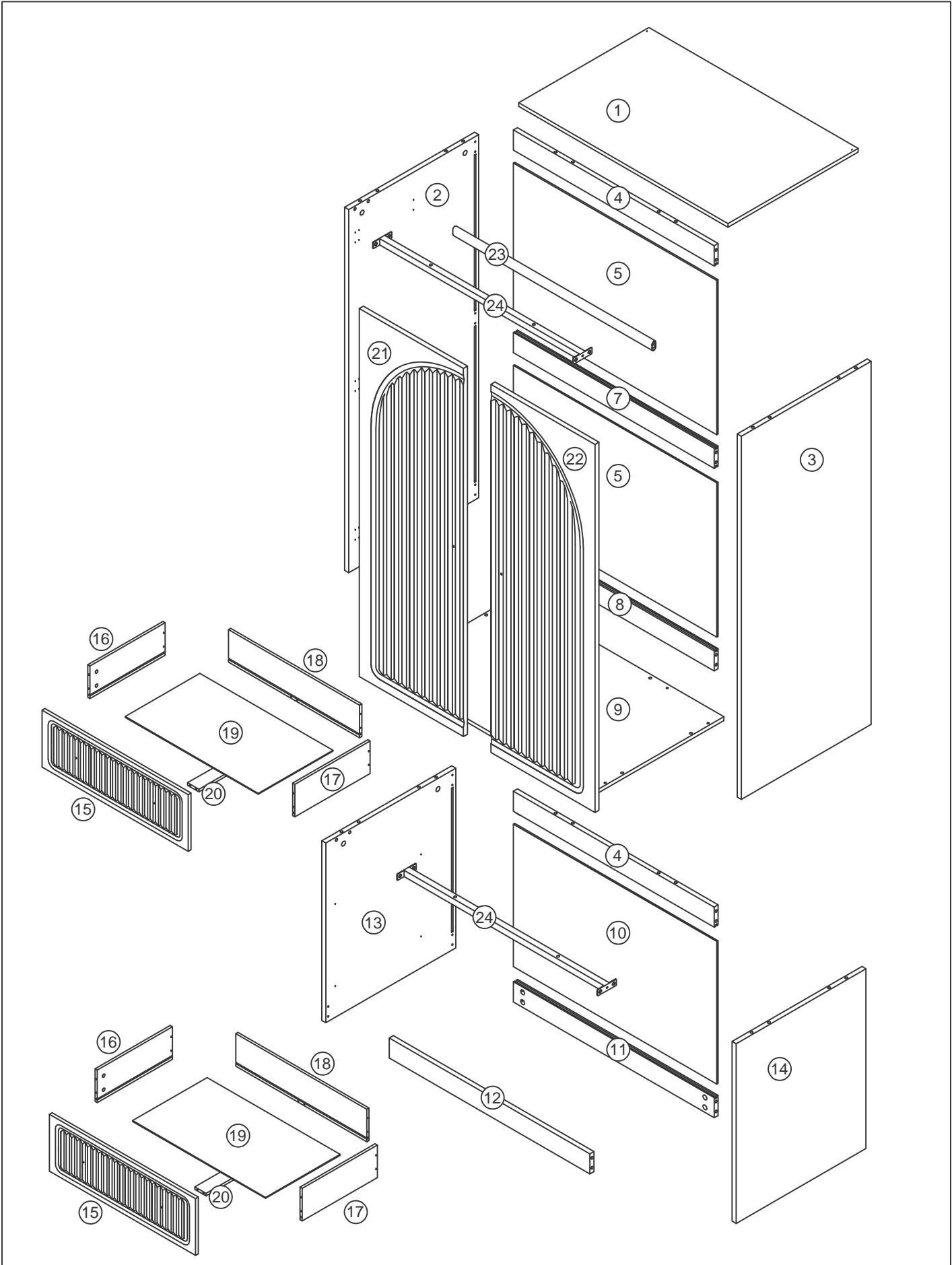
<p>①</p> <p>X1</p>	<p>②</p> <p>X1</p>	<p>③</p> <p>X1</p>
<p>④</p> <p>X2</p>	<p>⑤</p> <p>X2</p>	<p>⑦</p> <p>X1</p>
<p>⑧</p> <p>X1</p>	<p>⑨</p> <p>X1</p>	<p>⑩</p> <p>X1</p>
<p>⑪</p> <p>X1</p>	<p>⑫</p> <p>X1</p>	<p>⑬</p> <p>X1</p>
<p>⑭</p> <p>X1</p>	<p>⑮</p> <p>X2</p>	<p>⑯</p> <p>X2</p>



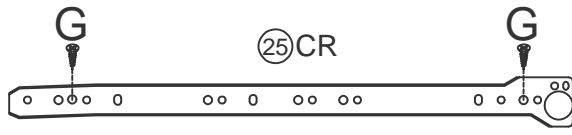
<p>17</p> <p>X2</p>	<p>18</p> <p>X2</p>	<p>19</p> <p>X2</p>
<p>20</p> <p>X2</p>	<p>21</p> <p>X1</p>	<p>22</p> <p>X1</p>
<p>23</p> <p>X1</p>	<p>24</p> <p>X2</p>	<p>25</p> <p>16"(1.0mm) X2 SETS</p>

<p><b>A</b> M5X42</p> <p>48 PCS</p>	<p><b>B</b> Ø15X10</p> <p>48 PCS</p>	<p><b>C</b> Ø8X40</p> <p>18 PCS</p>	<p><b>D</b> M5X40</p> <p>20 PCS</p>	<p><b>E</b> M6X12</p> <p>8 PCS</p>	<p><b>F</b> M6X28</p> <p>4 PCS</p>	<p><b>G</b> M3.5X14</p> <p>66 PCS</p>	<p><b>H</b></p> <p>18 PCS</p>
<p><b>J</b> M4X18</p> <p>6 PCS</p>	<p><b>K</b> 1004</p> <p>6 PCS</p>	<p><b>L</b></p> <p>2 PCS</p>	<p><b>M</b></p> <p>6 PCS</p>	<p><b>N</b> M3.5X12</p> <p>10 PCS</p>	<p><b>P</b></p> <p>2 PCS</p>	<p><b>Q</b></p> <p>2 PCS</p>	<p>4#</p> <p>1 PCS</p>

<p>1 PCS</p>
--------------



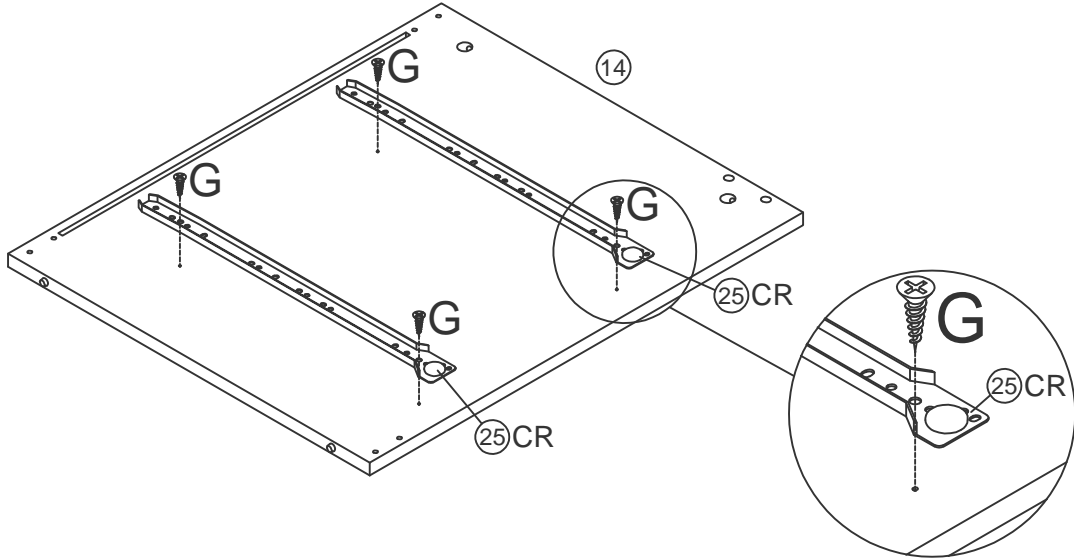
1



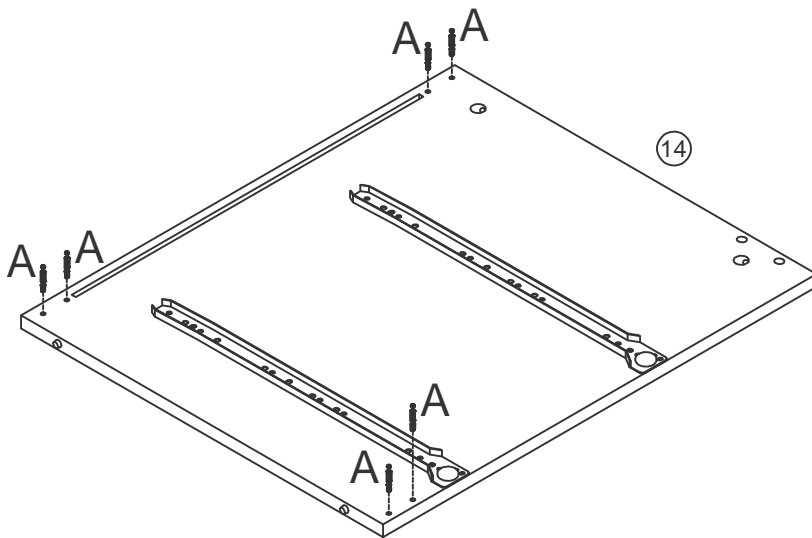
G M3.5X14



4 PCS



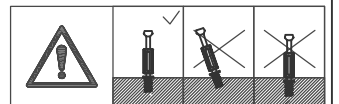
2



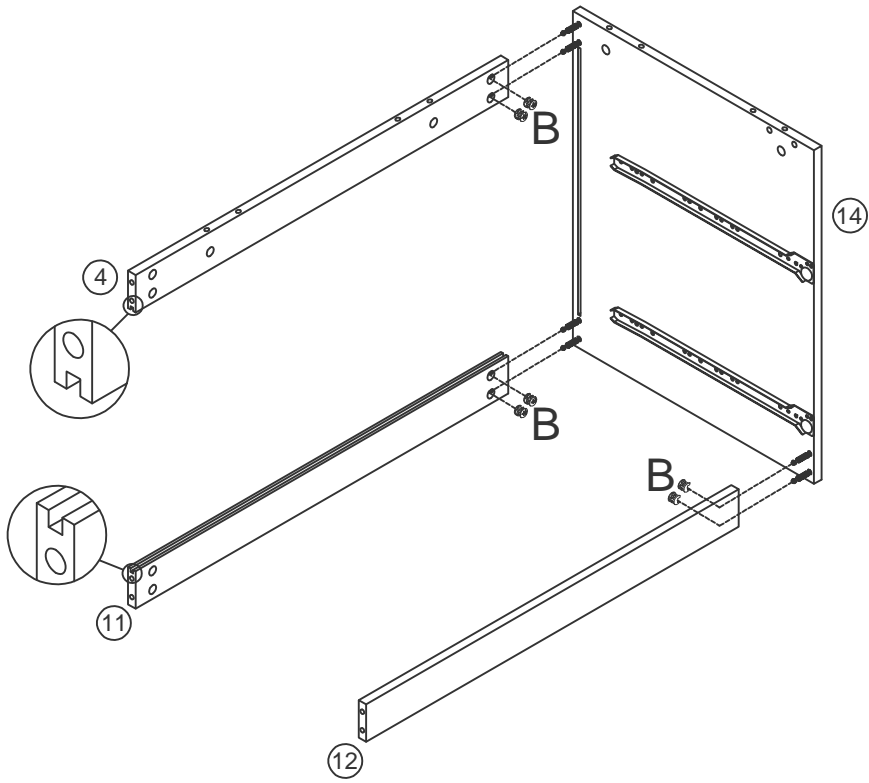
A M5X42



6 PCS



3

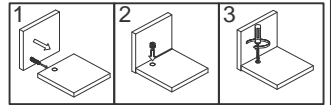


B Ø15X10

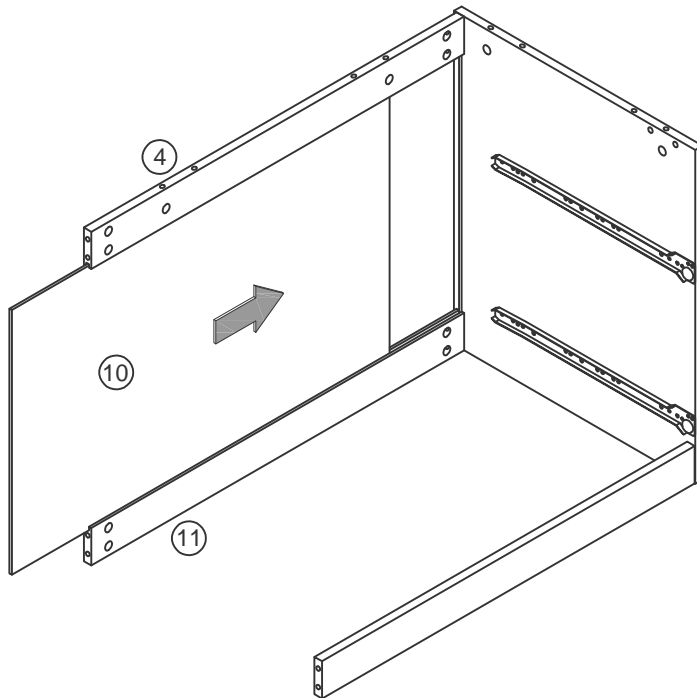


6 PCS

Cam Lock Fastening System



4



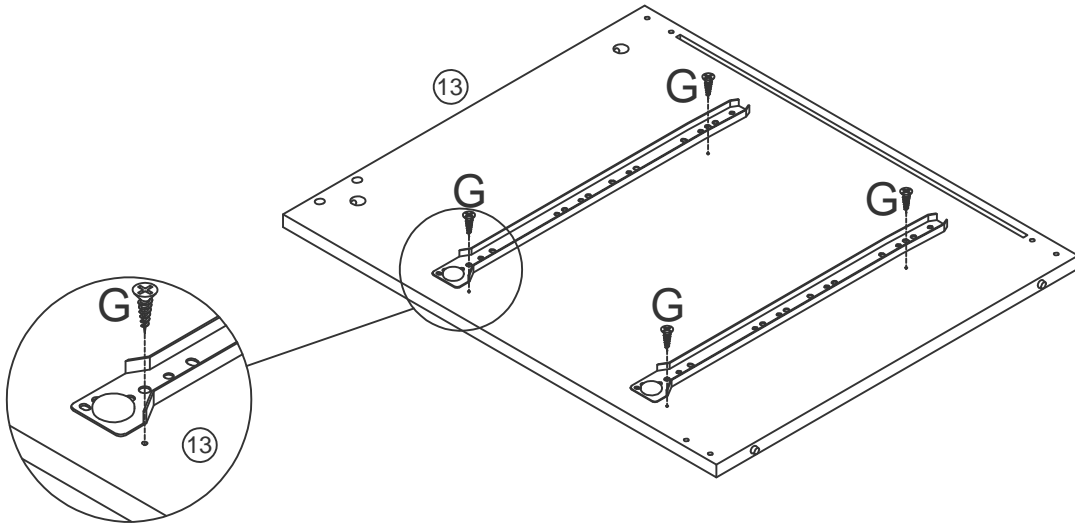
5



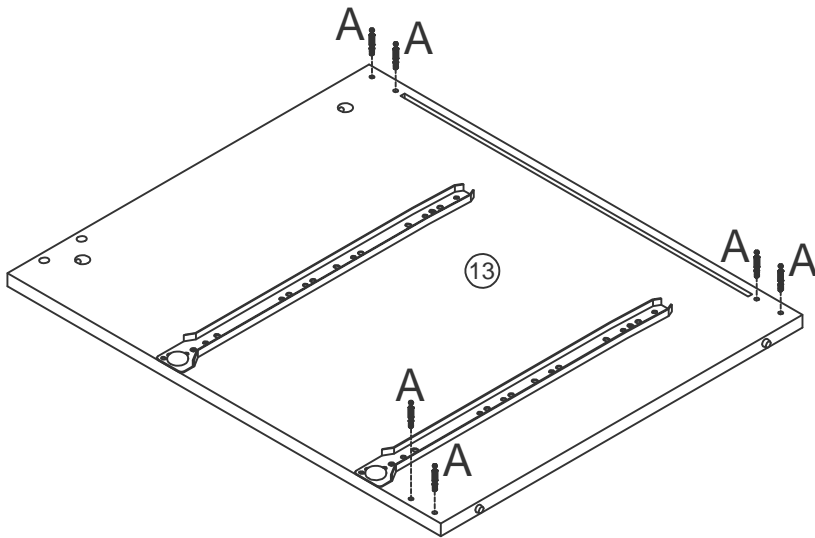
G M3.5X14



4 PCS



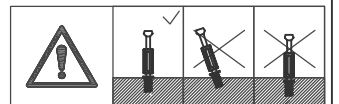
6



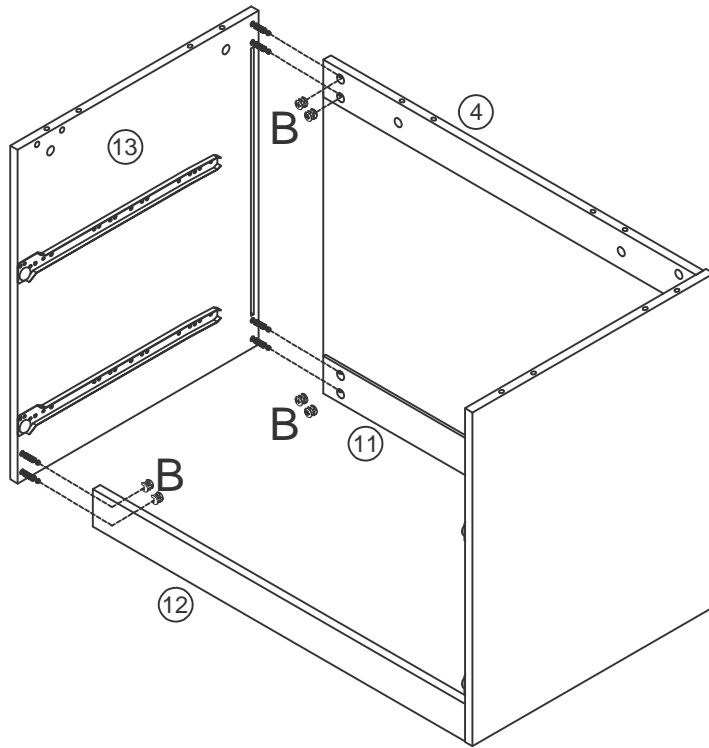
A M5X42



6 PCS



7

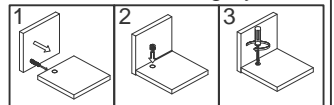


**B** Ø15X10



6 PCS

Cam Lock Fastening System



8

**A** M5X42



6 PCS

**G** M3.5X14

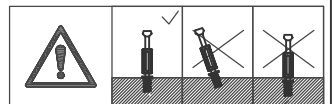
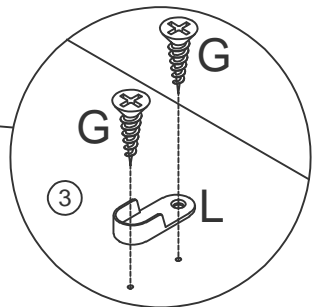
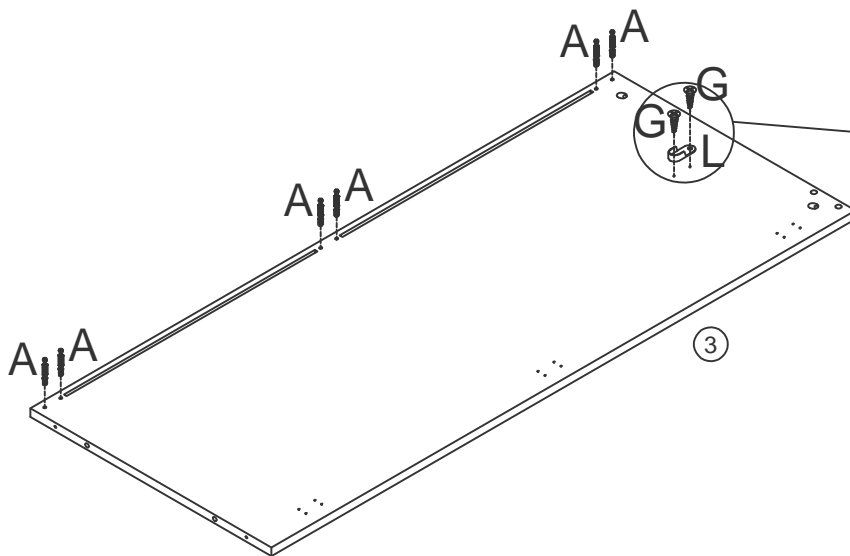


2 PCS

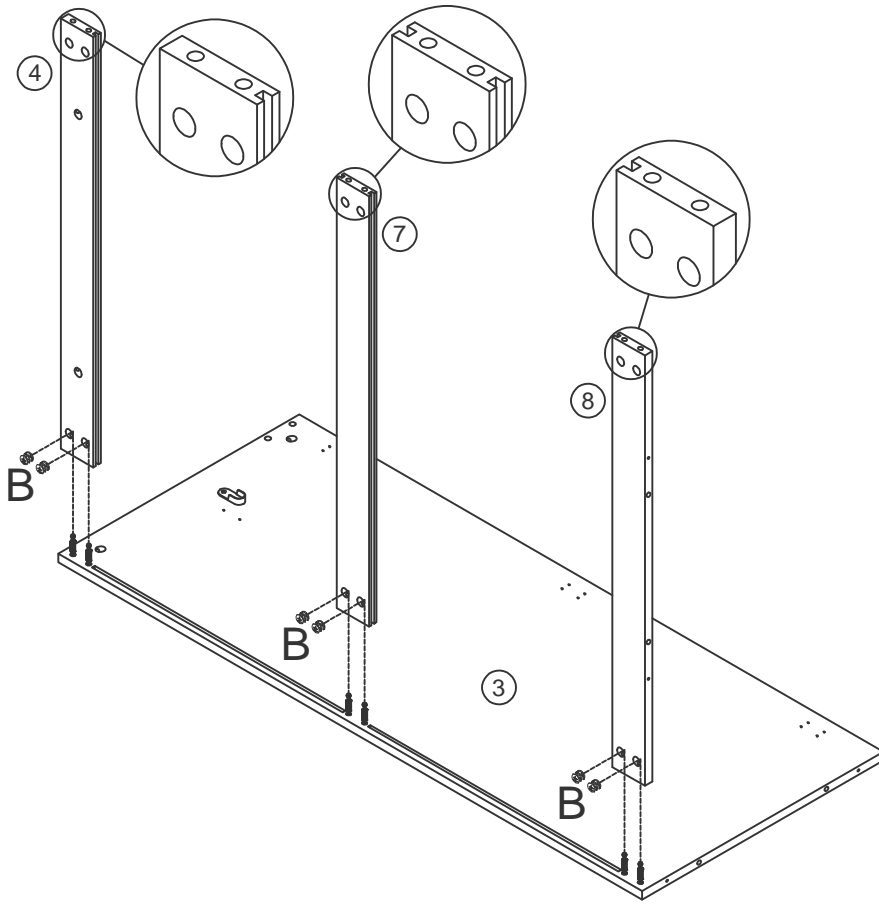
**L**



1 PCS



9

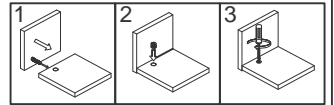


B Ø15X10

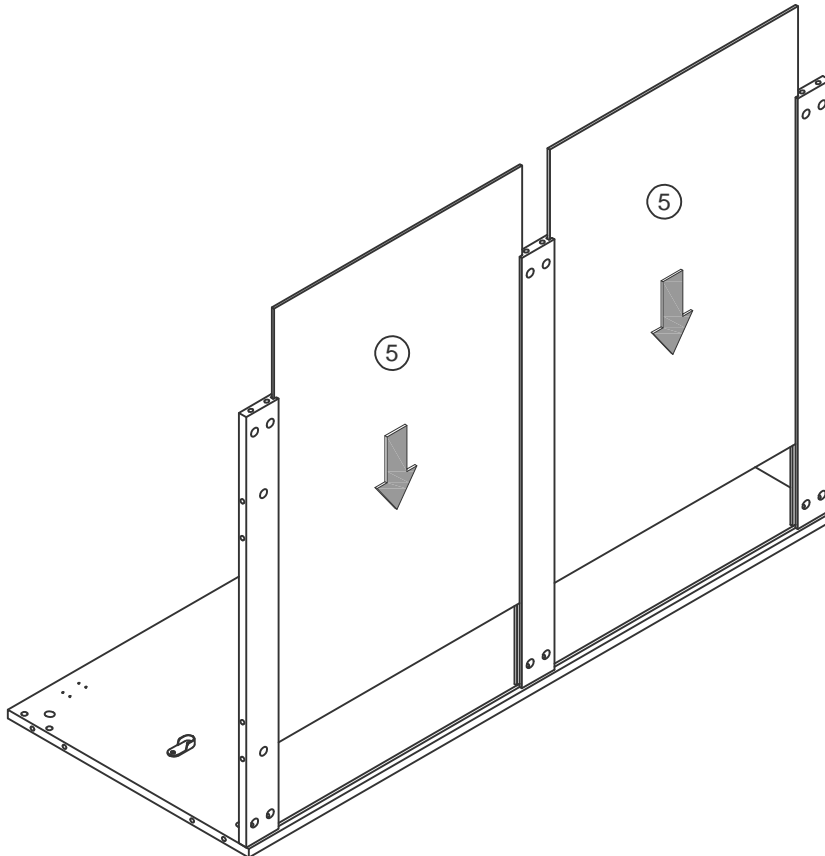


6 PCS





Cam Lock Fastening System

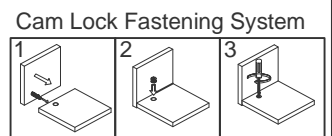
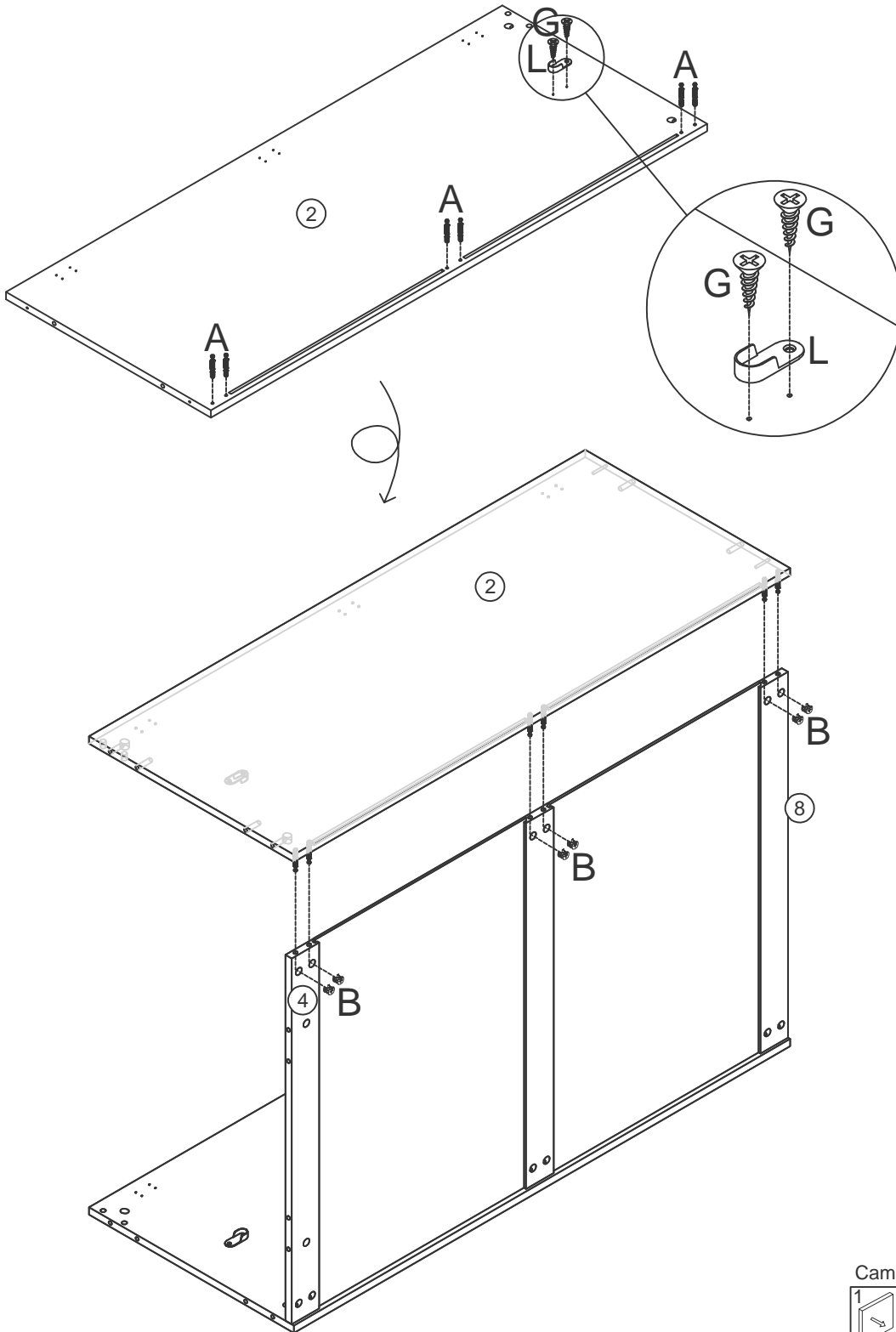


10

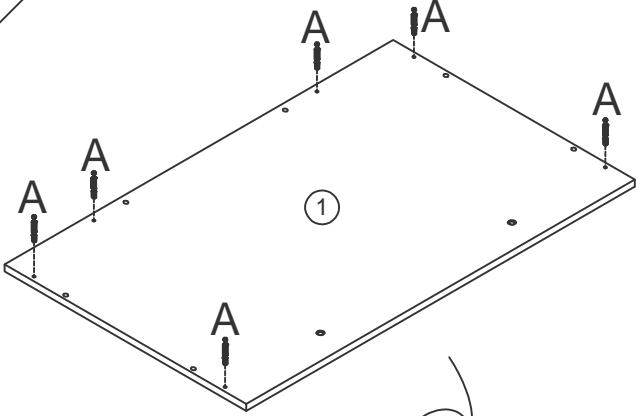



11


<b>A</b> M5X42  6 PCS	<b>B</b> Ø15X10  6 PCS	<b>G</b> M3.5X14  2 PCS	<b>L</b>  1 PCS
--	---	--	--

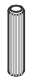


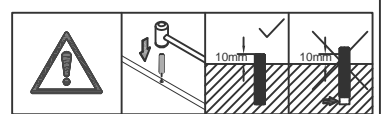
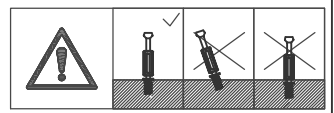
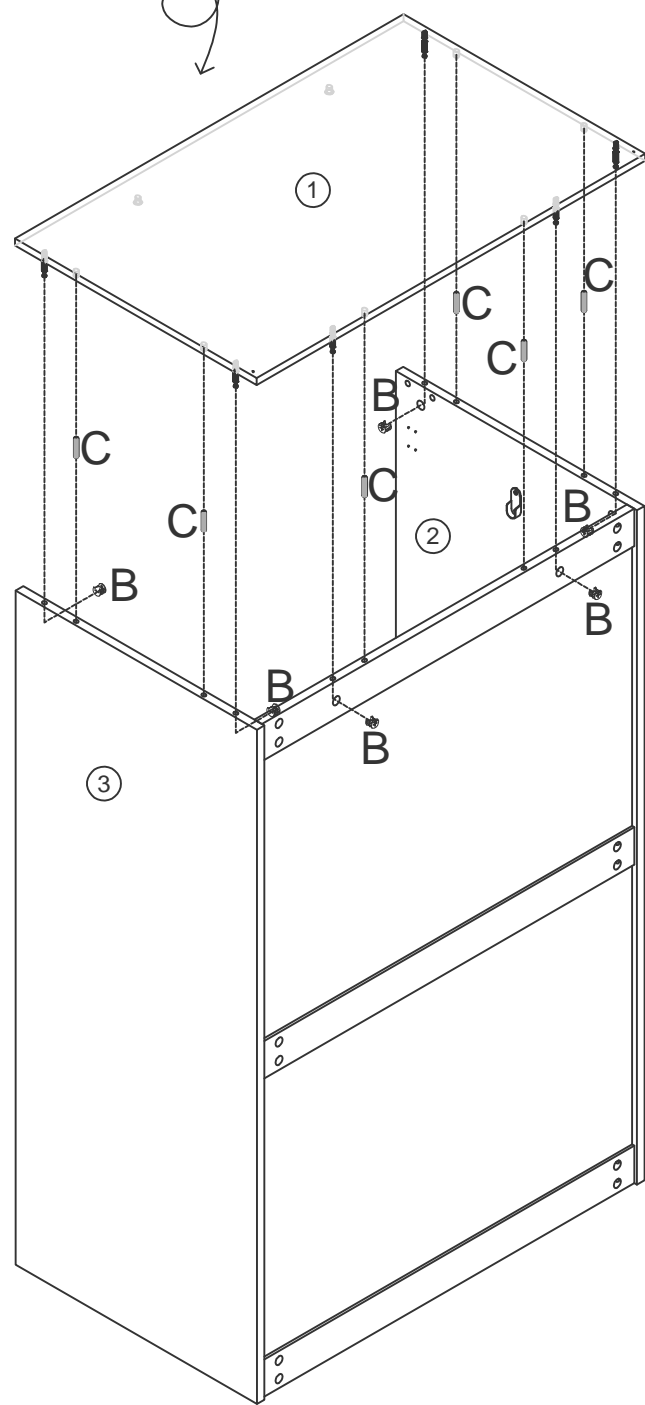
12



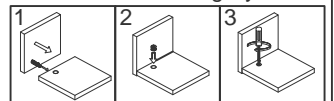
**A** M5X42  
  
 6 PCS

**B** Ø15X10  
  
 6 PCS




**C** Ø8X40  
  
 6 PCS

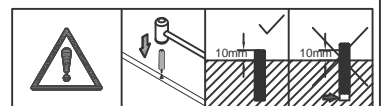
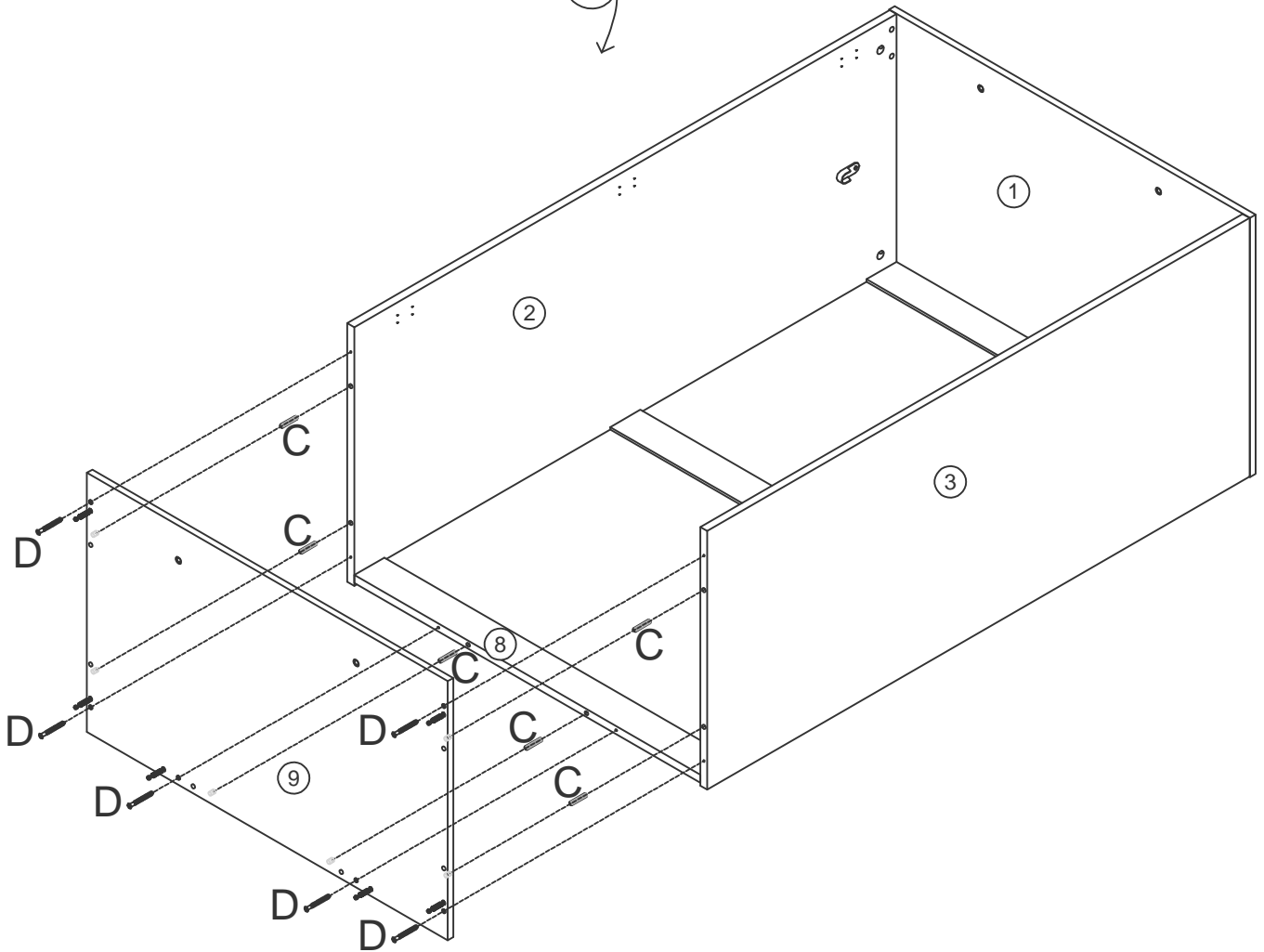
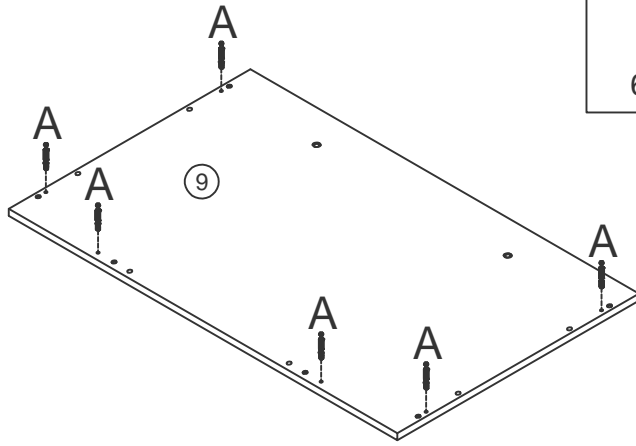


Cam Lock Fastening System



13

<b>A</b> M5X42  6 PCS	<b>C</b> Ø8X40  6 PCS	<b>D</b> M5X40  6 PCS
--	--	--



14

B Ø15X10

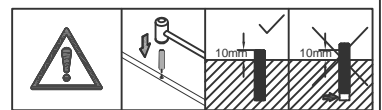
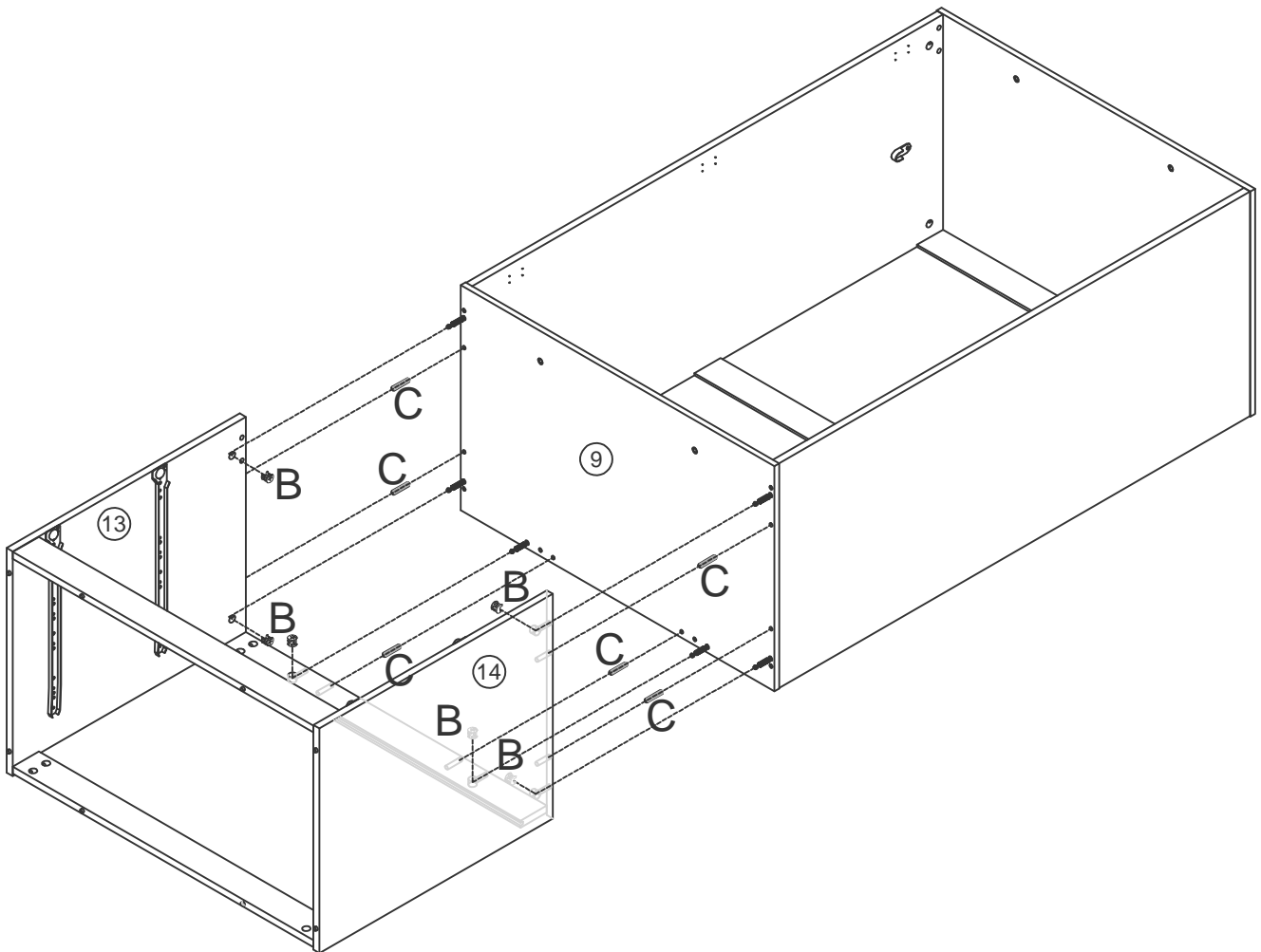
C Ø8X40



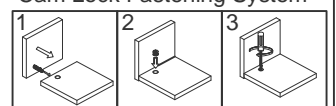
6 PCS



6 PCS



Cam Lock Fastening System



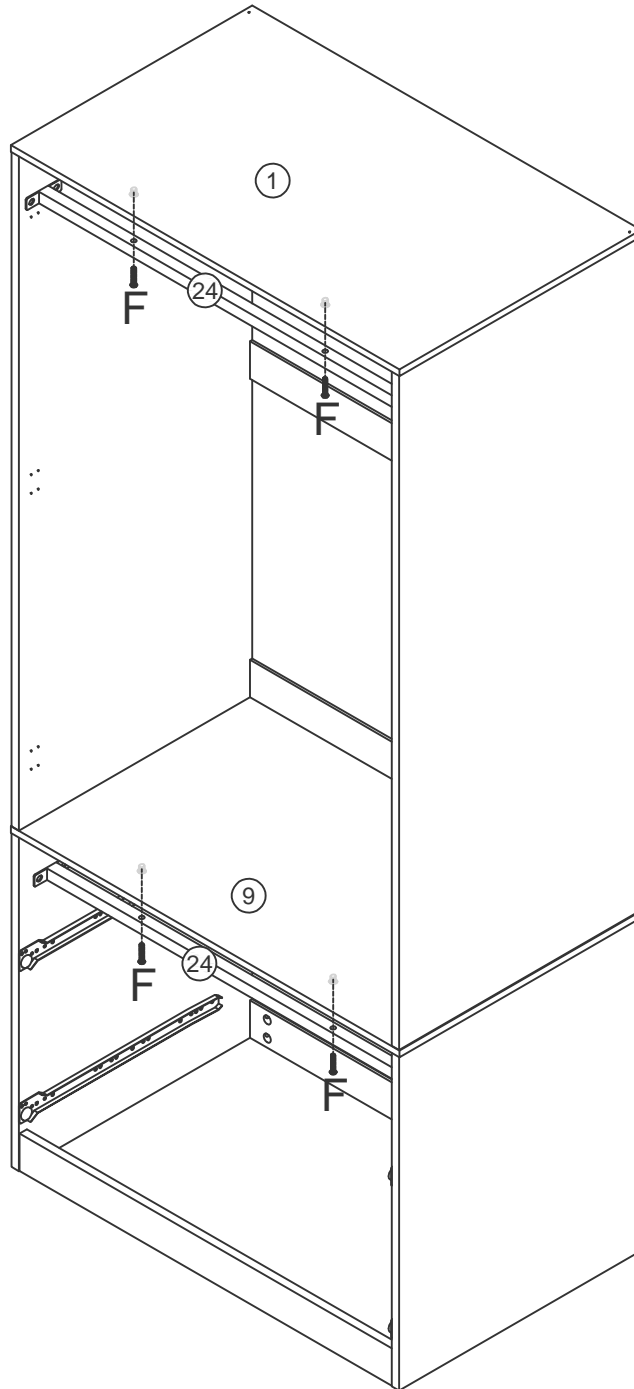


15

F M6X28



4 PCS



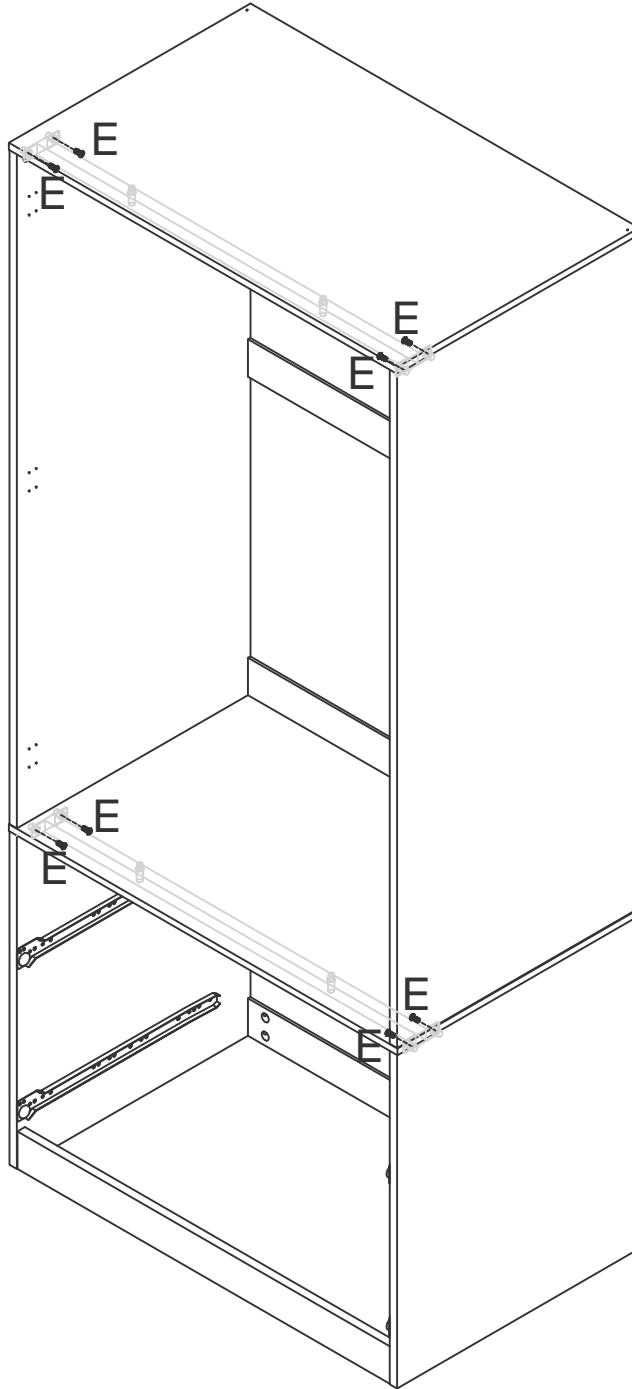


16

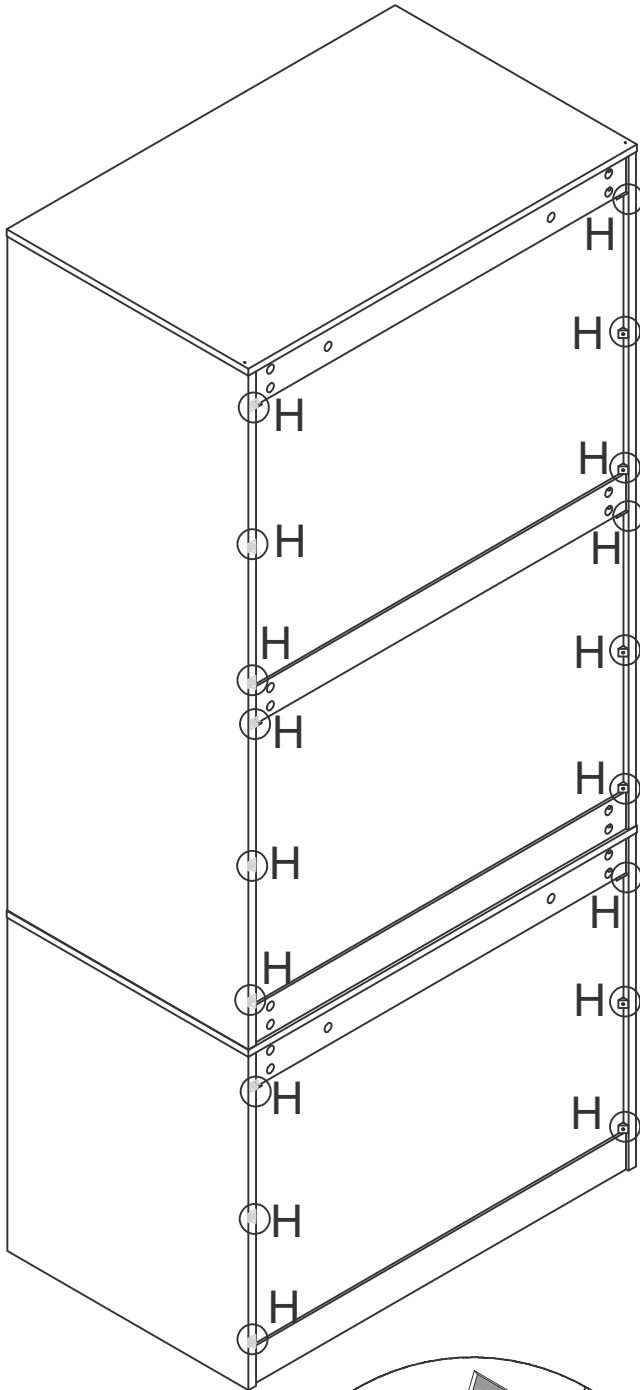
E M6X12





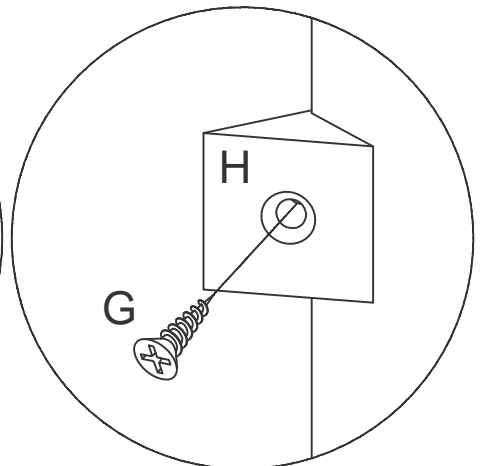
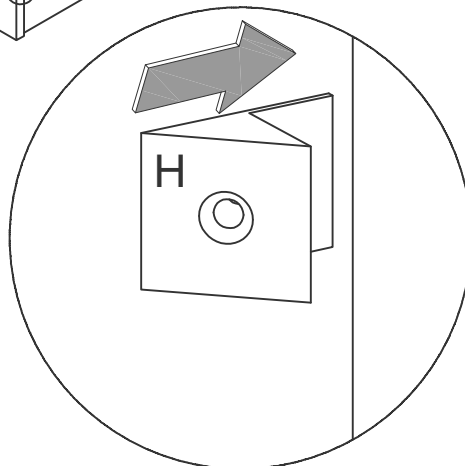
8 PCS









17

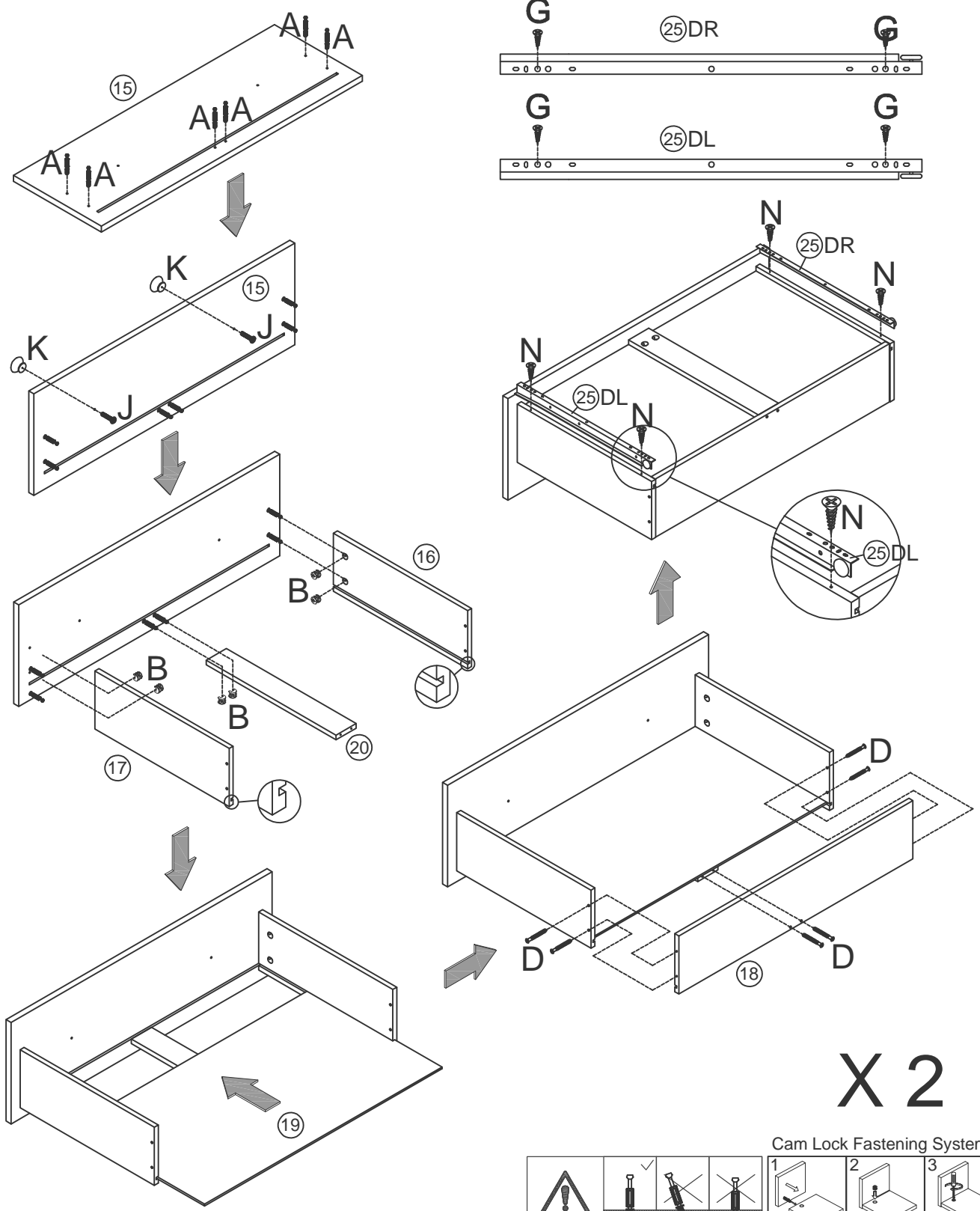


<b>G</b> M3.5X14	<b>H</b>
	
18 PCS	18 PCS



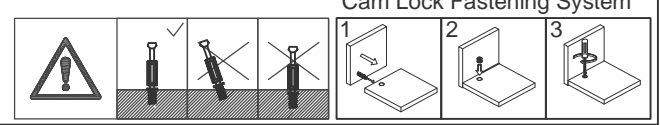
18

<b>A</b> M5X42  12 PCS	<b>B</b> Ø15X10  12 PCS	<b>D</b> M5X40  12 PCS	<b>J</b> M4X18  4 PCS	<b>K</b> 1004  4 PCS	<b>N</b> M3.5X12  8 PCS
---	--	---	--	---	--

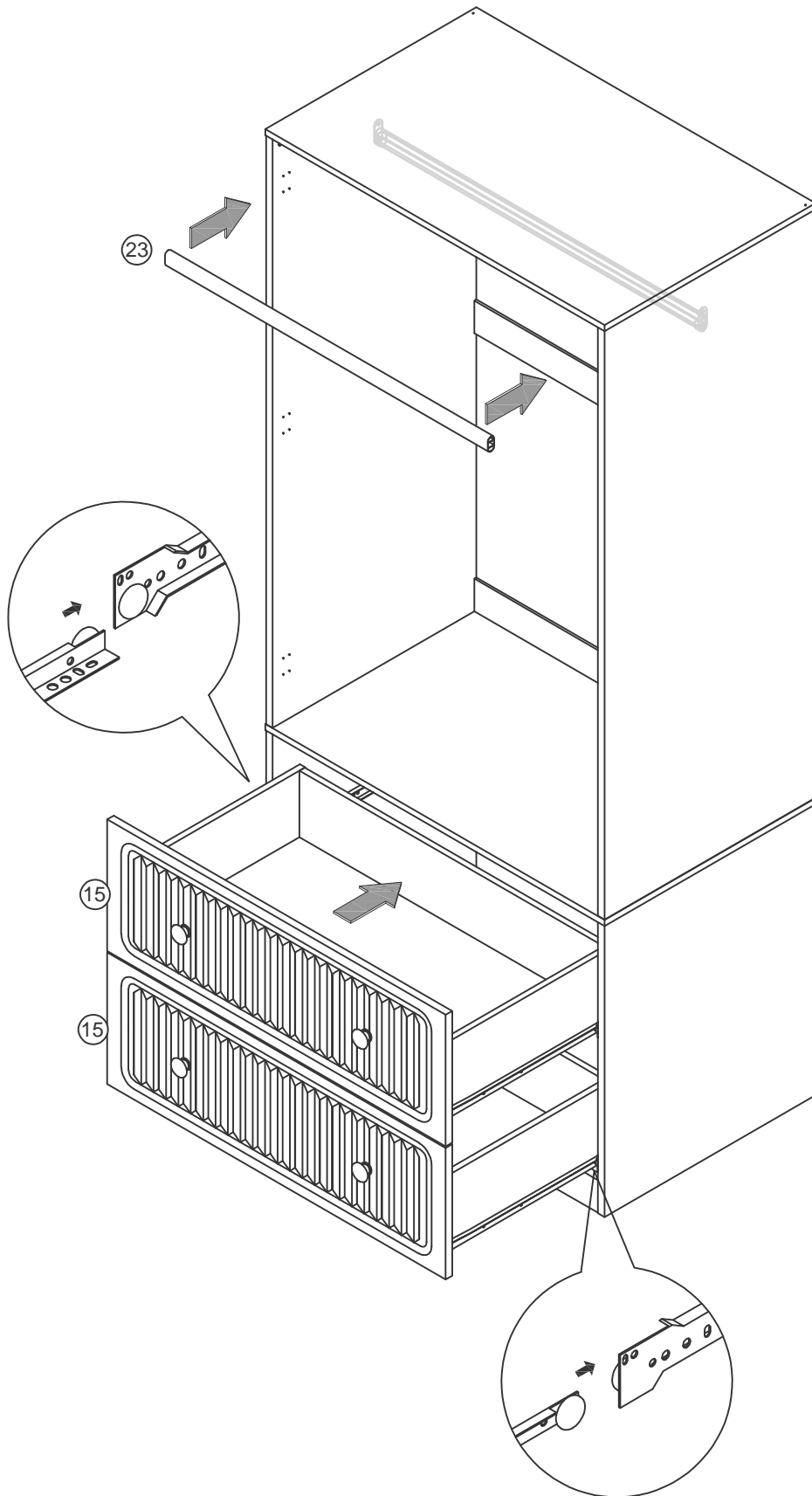


X 2




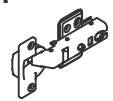
Cam Lock Fastening System

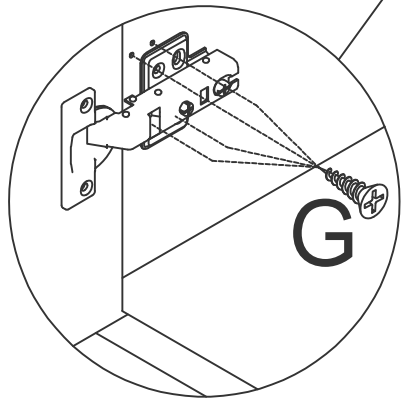
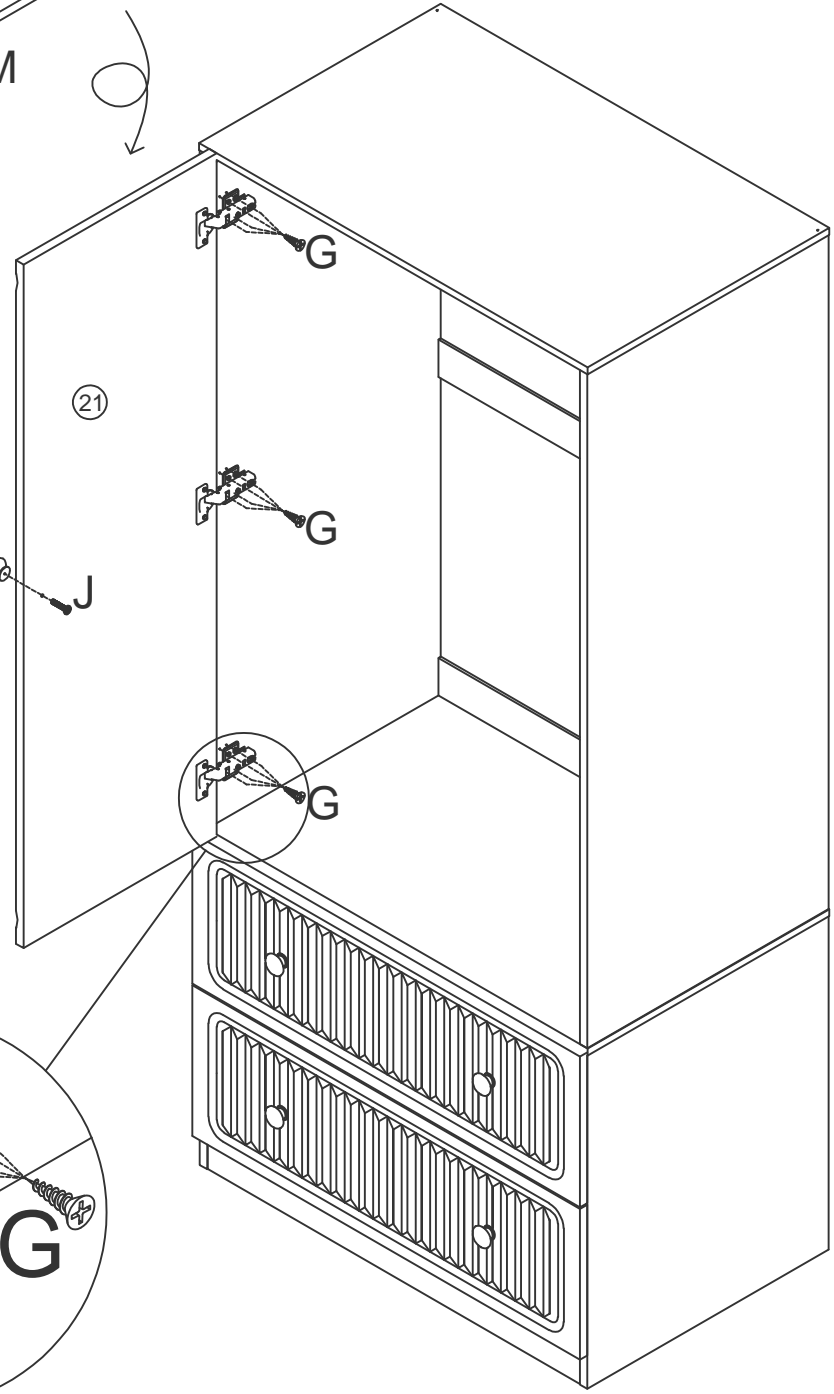
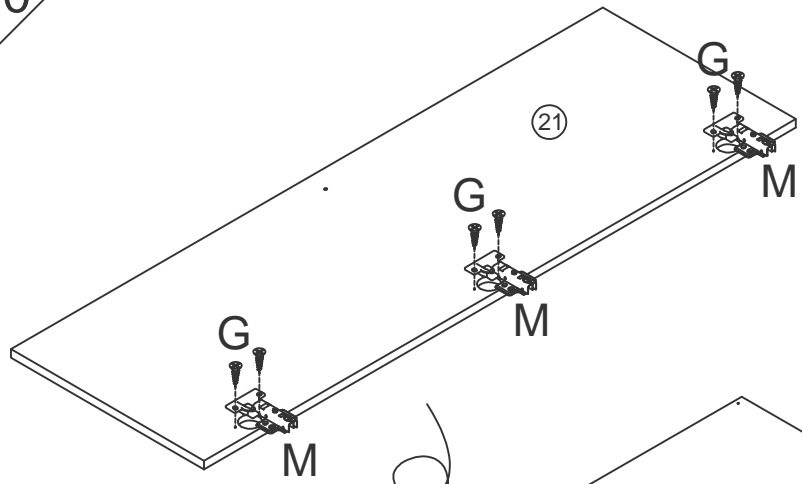


19

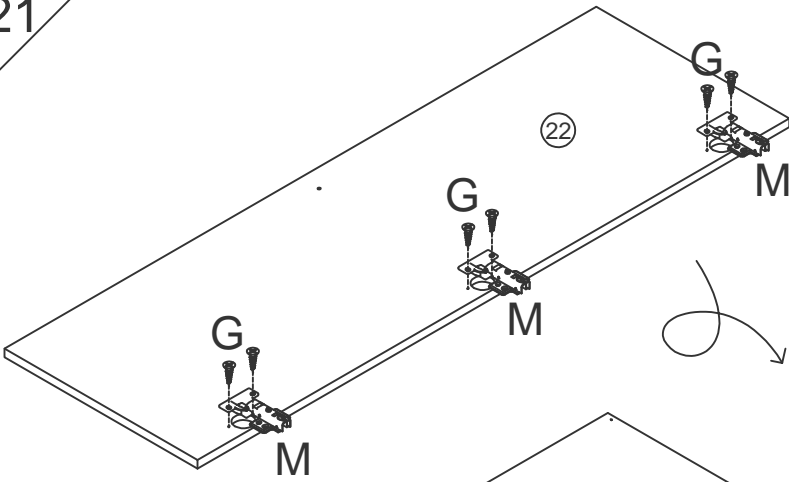






20

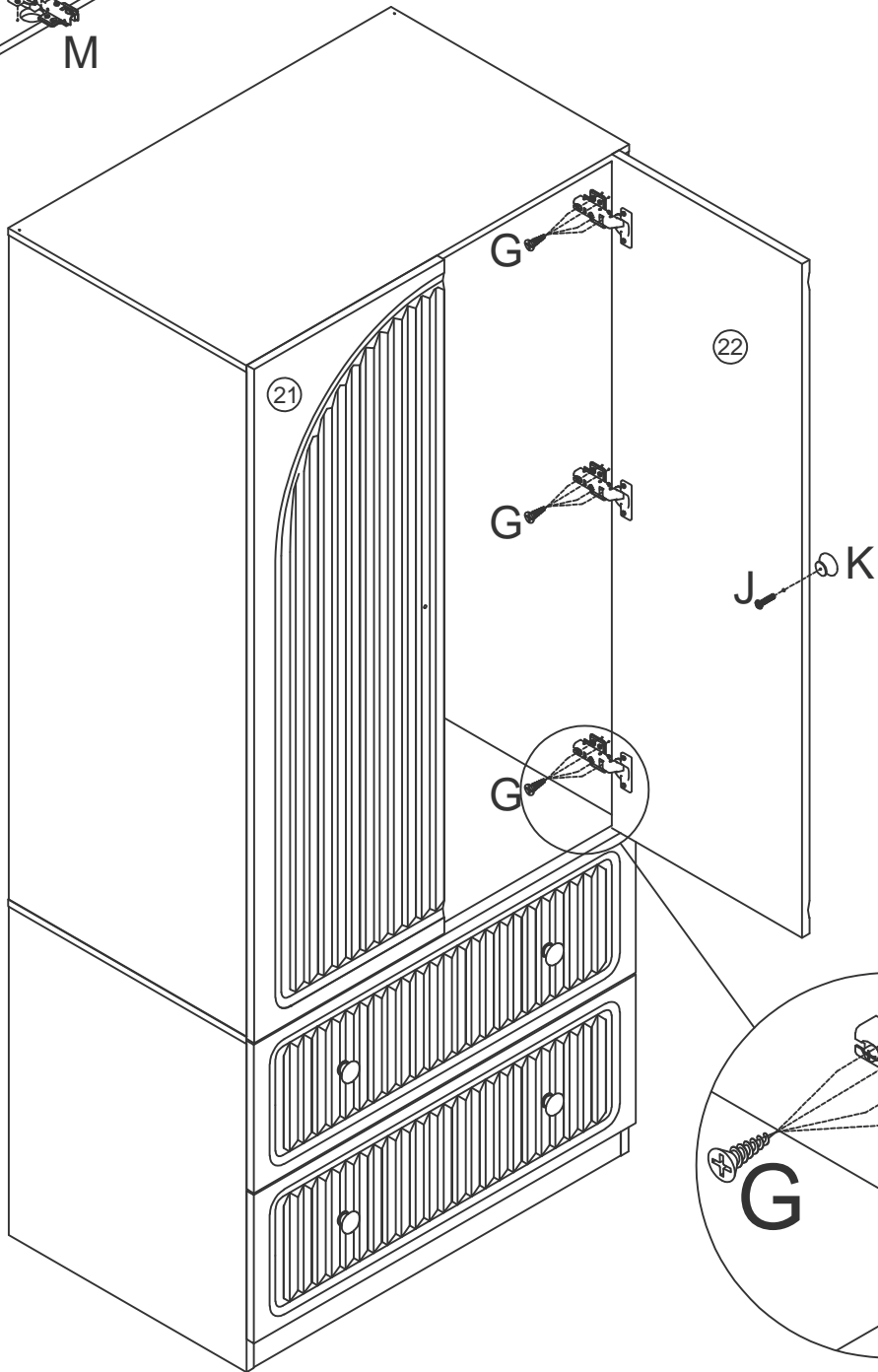
<b>G</b> M3.5X14  18 PCS	<b>J</b> M4X18  1 PCS
<b>K</b> 1004  1 PCS	<b>M</b>  3 PCS



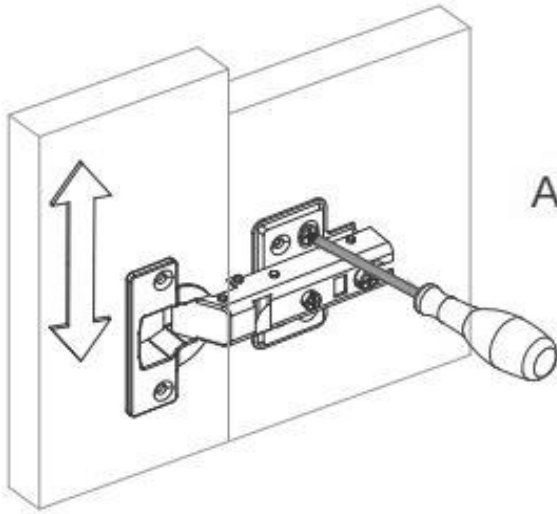
21



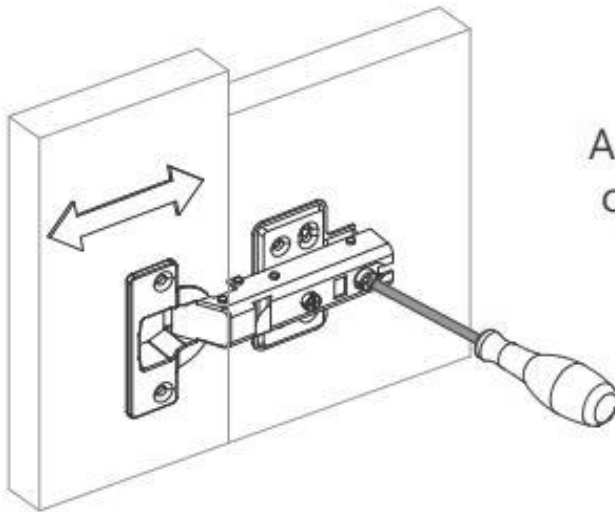
<b>G</b> M3.5X14  18 PCS	<b>J</b> M4X18  1 PCS
<b>K</b> 1004  1 PCS	<b>M</b>  3 PCS



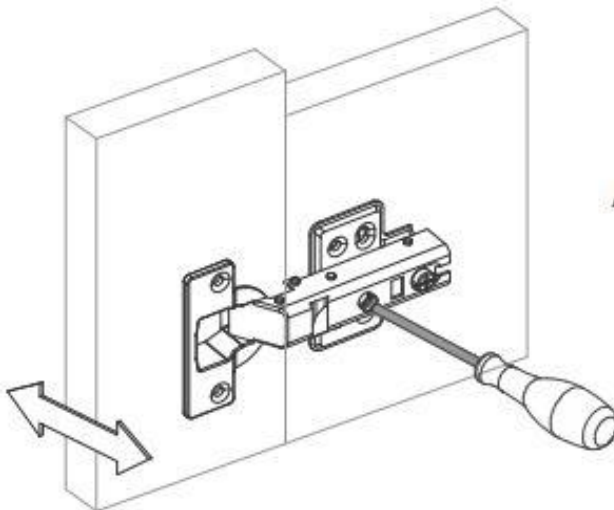
22



Adjustment up or down





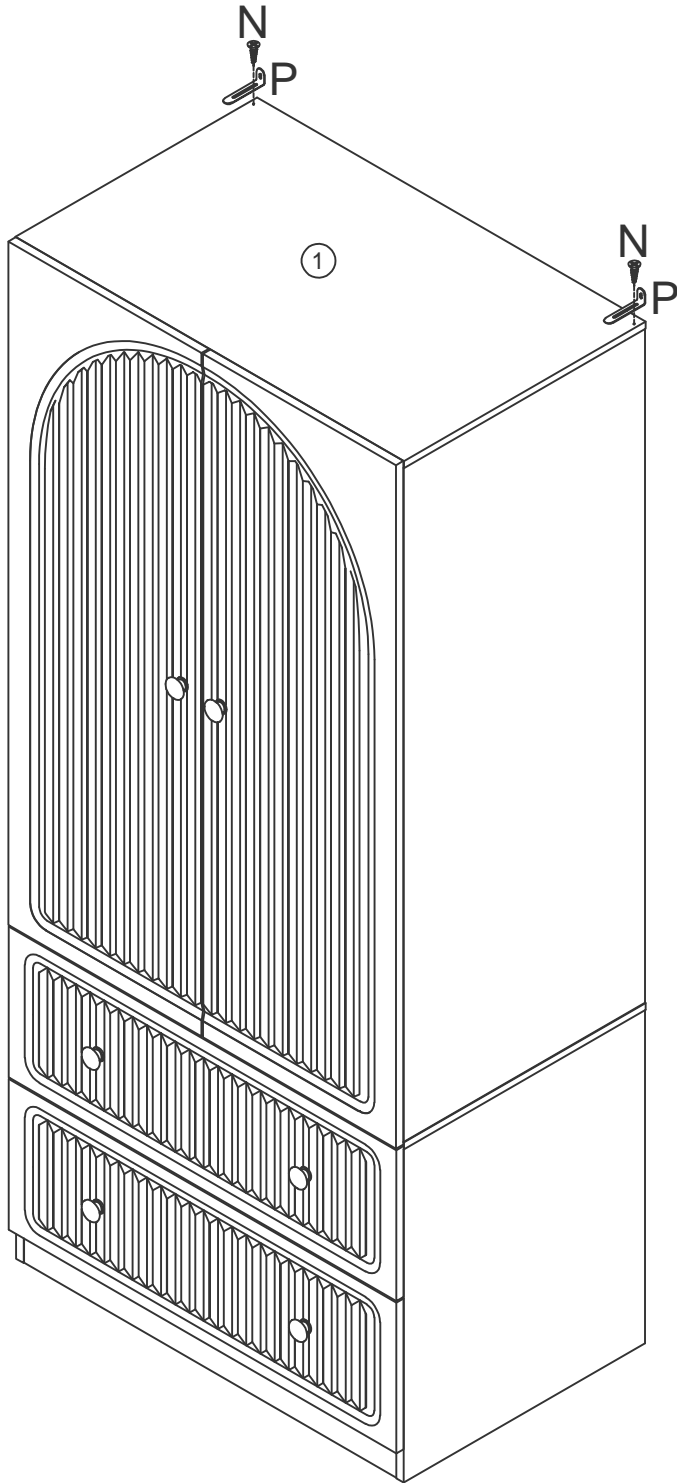
Adjustment forward  
or backward



Adjustment left or right

23

N M3.5X12	P
	
2 PCS	2 PCS



24



**Attention: For safety and stability, we suggest you have to secure the anti-tip accessories to the wall to prevent tipping, injury, and property damage.**

D M5X40



2 PCS

Q



2 PCS

