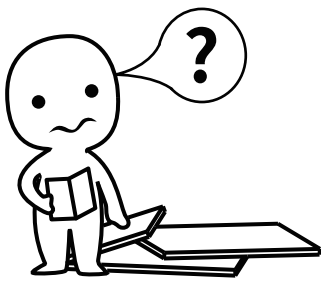


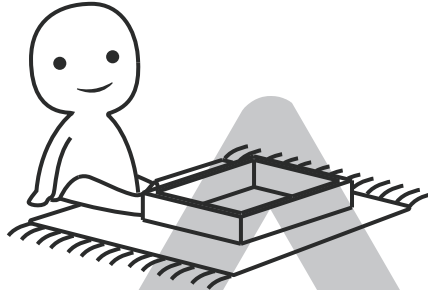
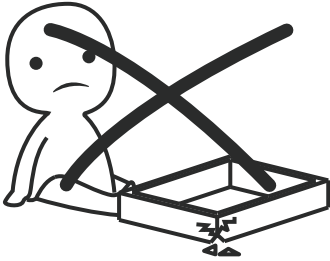
INSTALLATION

Product Manual



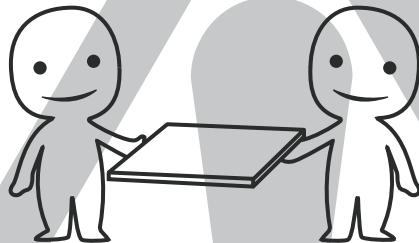
IMPORTANT INFORMATION!

please read the entire manual before starting to assemble and/or using this product follow the manual thoroughly and keep it for further reference.



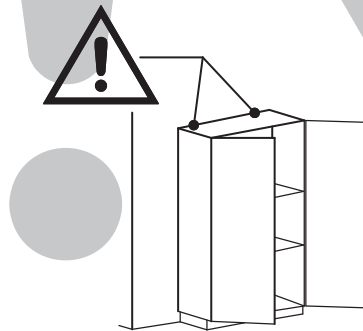
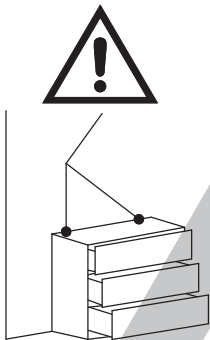
AVOID SCRATCHES!

In order to avoid scratching this furniture should be assembled on a soft layer-could be a rug.



IMPROVE EFFICIENCY !

Try to find a partner to install with you, which can speed up the installation efficiency and shorten the time.



ANTI-TOPPLE WARNING !

Overturnd furniture can cause serious or fatal crush injuries. To prevent tipping over, be sure to use the wall attachment, if not included with this product. Please purchase the wall attachment that fit your wall. If unsure, seek professional advice. Please read and follow each step of the instructions carefully.

IMPORTANT !

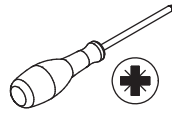
It is important that any product which is assembled using any kind of screw is re-tightened 2 weeks after assembly, and once every 3 months - in order to assure stability through-out the lifespan of the product.

For regular maintenance and cleaning of the product, for the frame, please use a rag dipped in neutral detergent to fully wipe it, and then dry it with a clean rag. For glass materials, wipe with a rag dampened with water glass cleaner, and then dry with a dry rag.

Do not use an electric screwdriver, and do not use too much force when installing, because the board is easy to break.

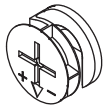


Please prepare the following tools



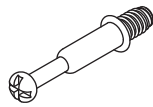
When installing, please carefully confirm whether each screw corresponds to the manual, accessories with similar shapes can be distinguished by size

A x 86



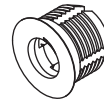
CRB1595A

B x 86

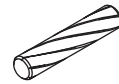


CRA0635B

C x 86

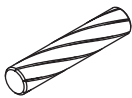


D x 54



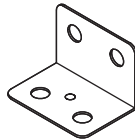
CRF0630A

E x 44

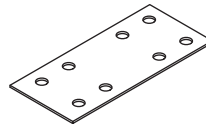


CRF0840A

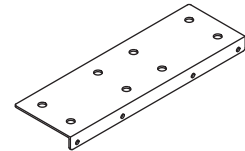
F x 4



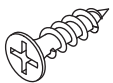
G x 13



H x 2

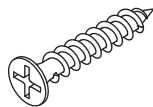


J x 120



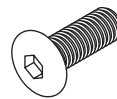
CRD3514A

K x 8



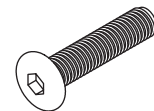
CRD3520A

L x 20



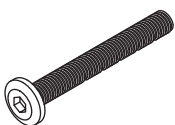
CRG0612A

M x 8



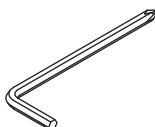
CRG0635A

N x 16

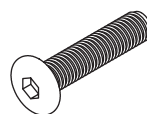


CRG0650A

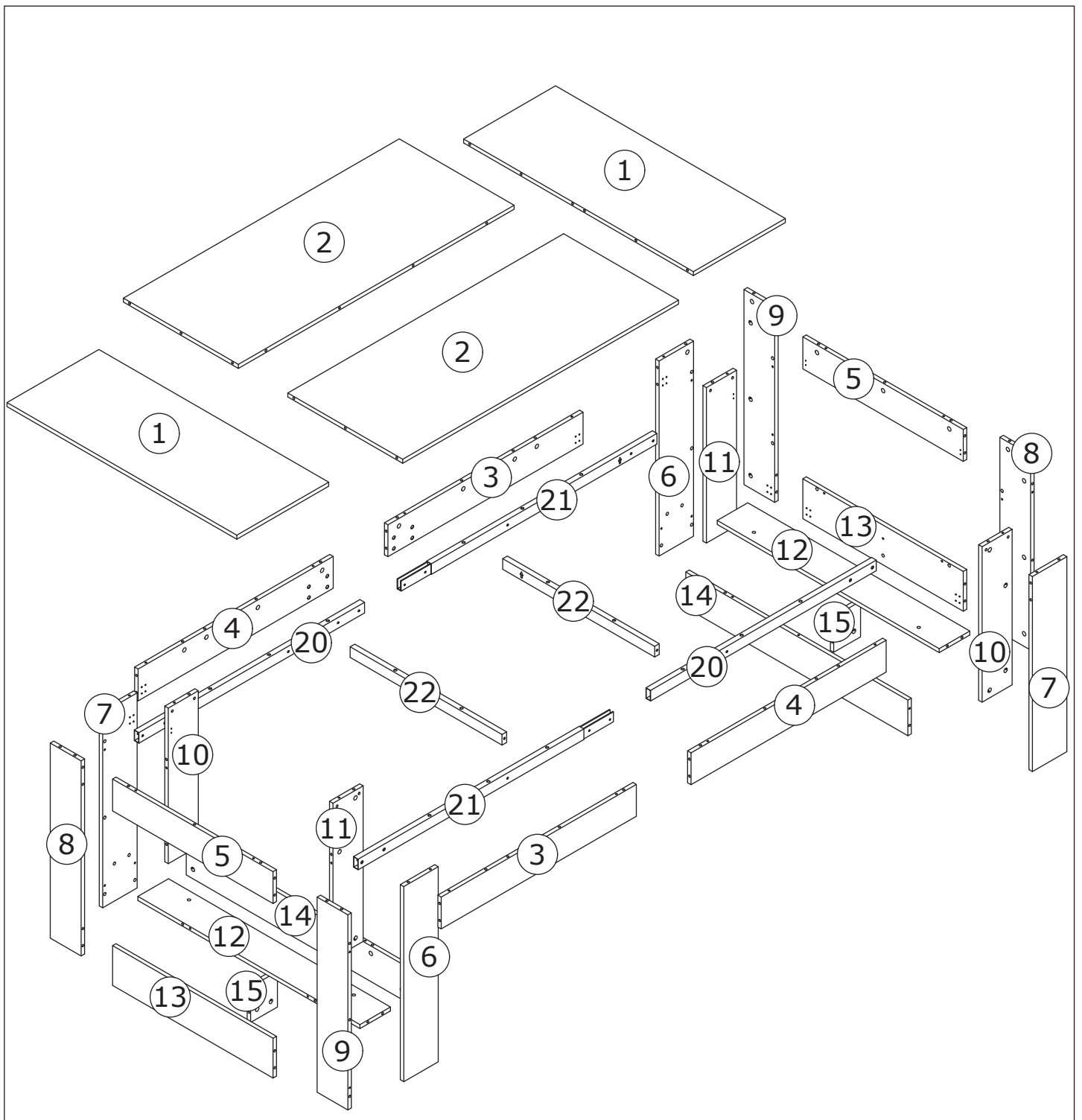
P x 1



Q x 4



CRG0630A



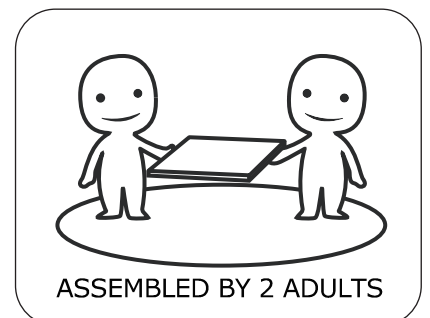
⚠ WARNING

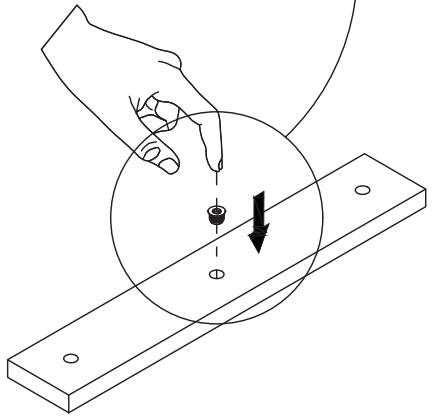
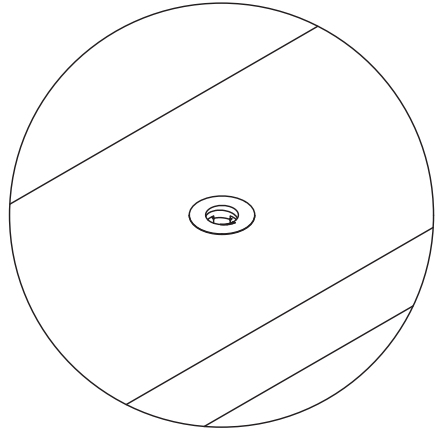
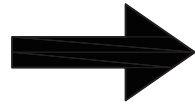
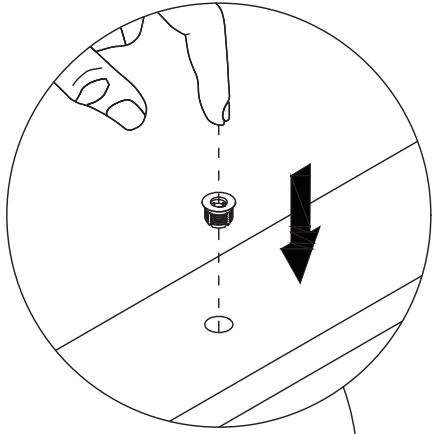


Children have died from furniture tipover. To reduce the risk of furniture tipover:

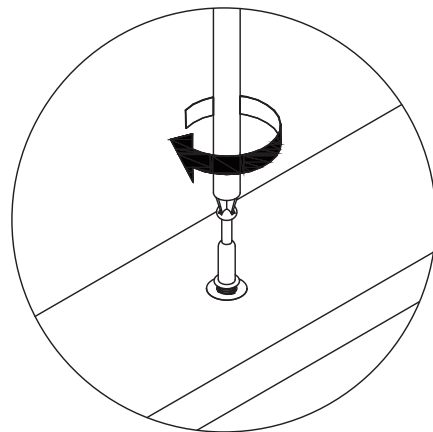
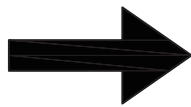
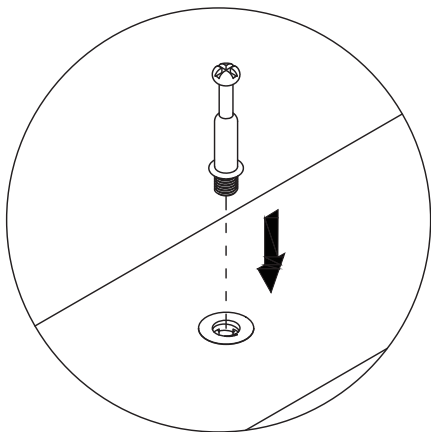
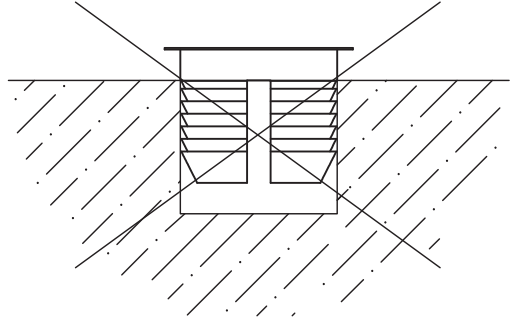
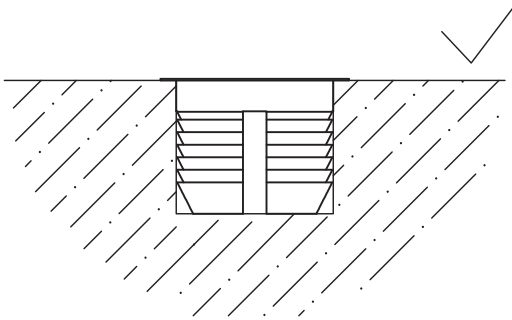
- ALWAYS install Anti-tip device provided.
- NEVER put a TV on this product.
- NEVER allow children to stand, climb or hang on drawers, doors, or shelves.
- NEVER open more than one drawer at a time.
- Place heaviest items in the lowest drawers.

*This is a permanent label.
Do not remove!*



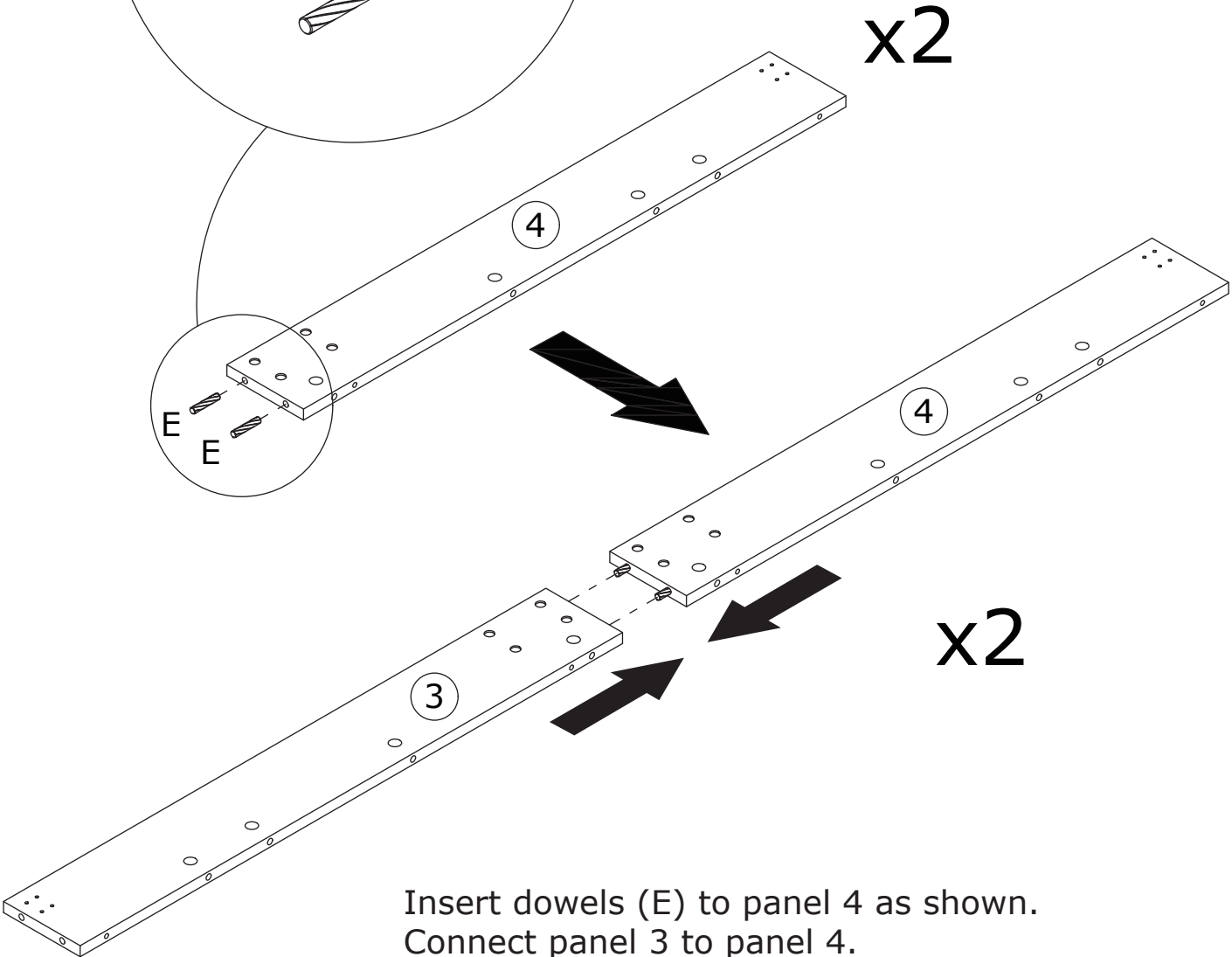
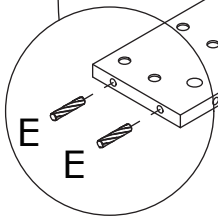
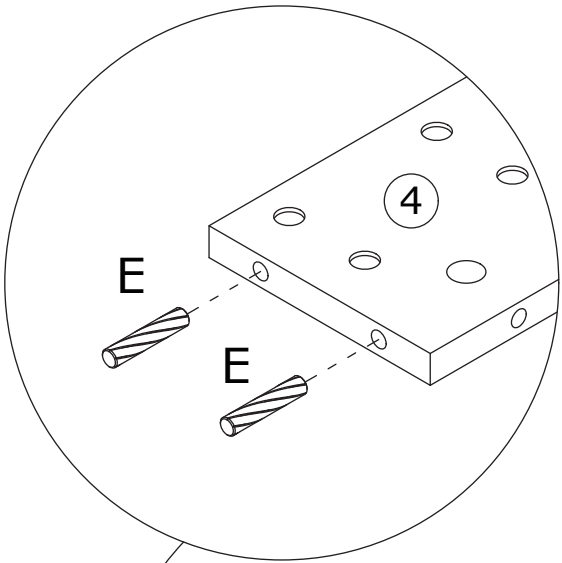
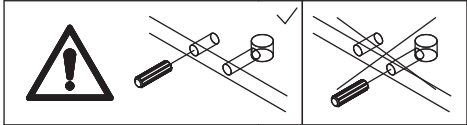


OR



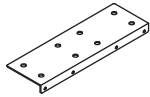
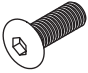
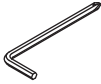
1

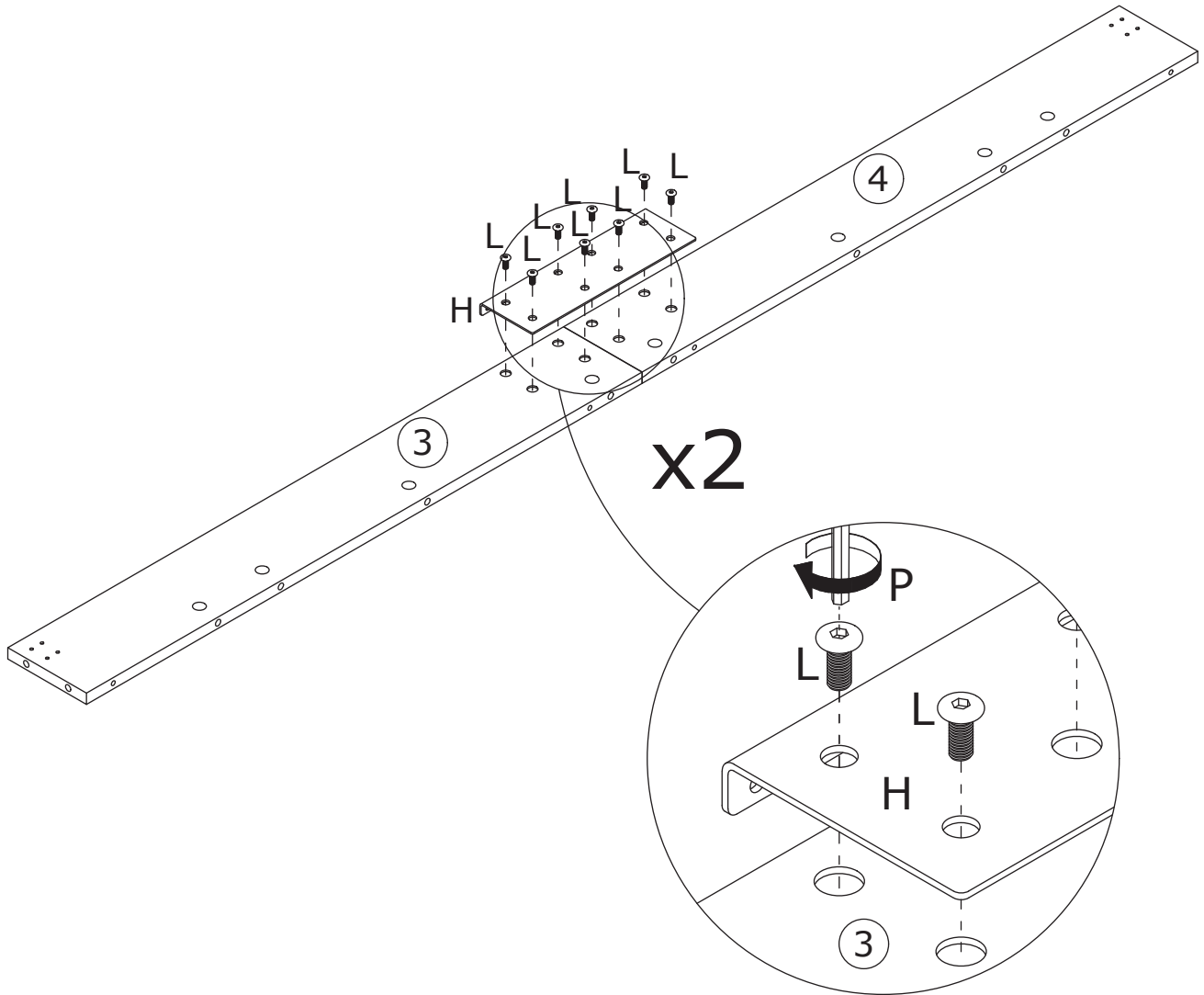
E x 4
CRF0840A



Insert dowels (E) to panel 4 as shown.
Connect panel 3 to panel 4.

2

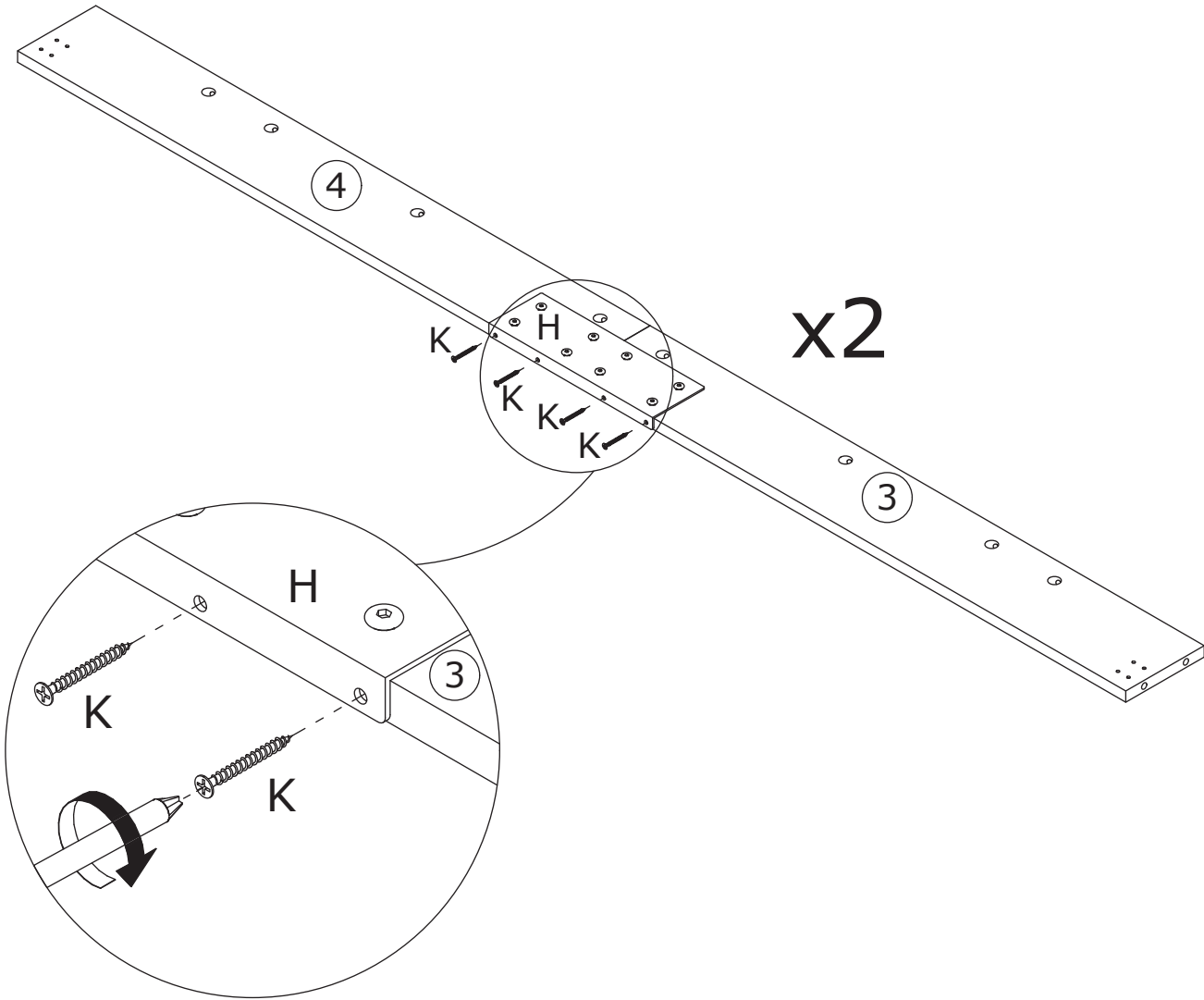
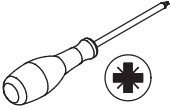
<p>H x 2</p> 	<p>L x 16</p>  <p>CRG0612A</p>	<p>P x 1</p> 	
--	---	--	--



Use screws (L) to secure parts (H) to panel 3 and 4 as shown.

3

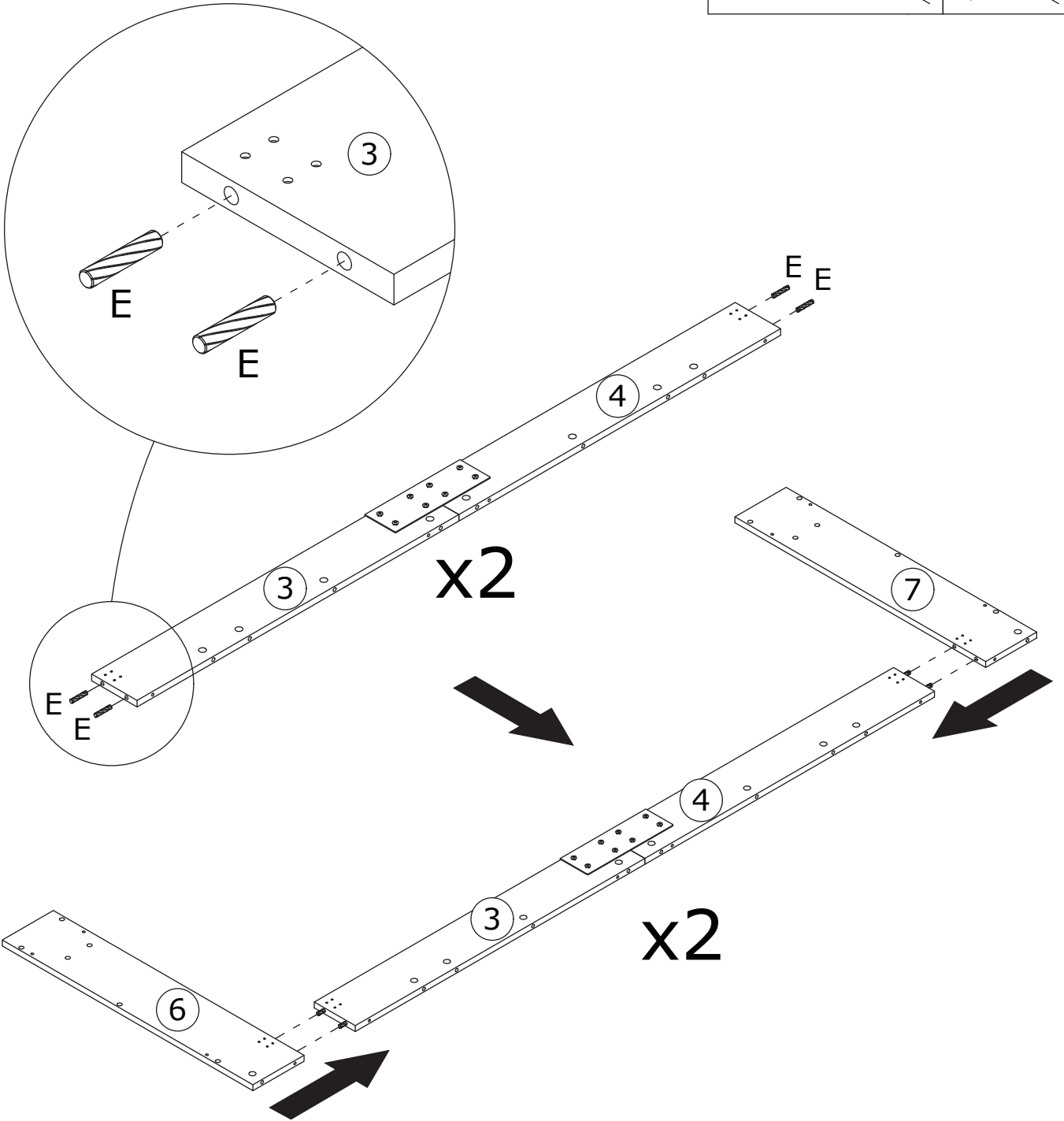
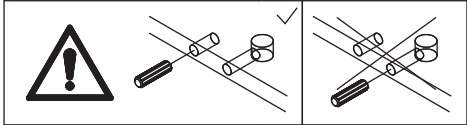
K x 8
CRD3520A



Use screws (K) to secure parts (H) to panel 3 and 4 as shown.

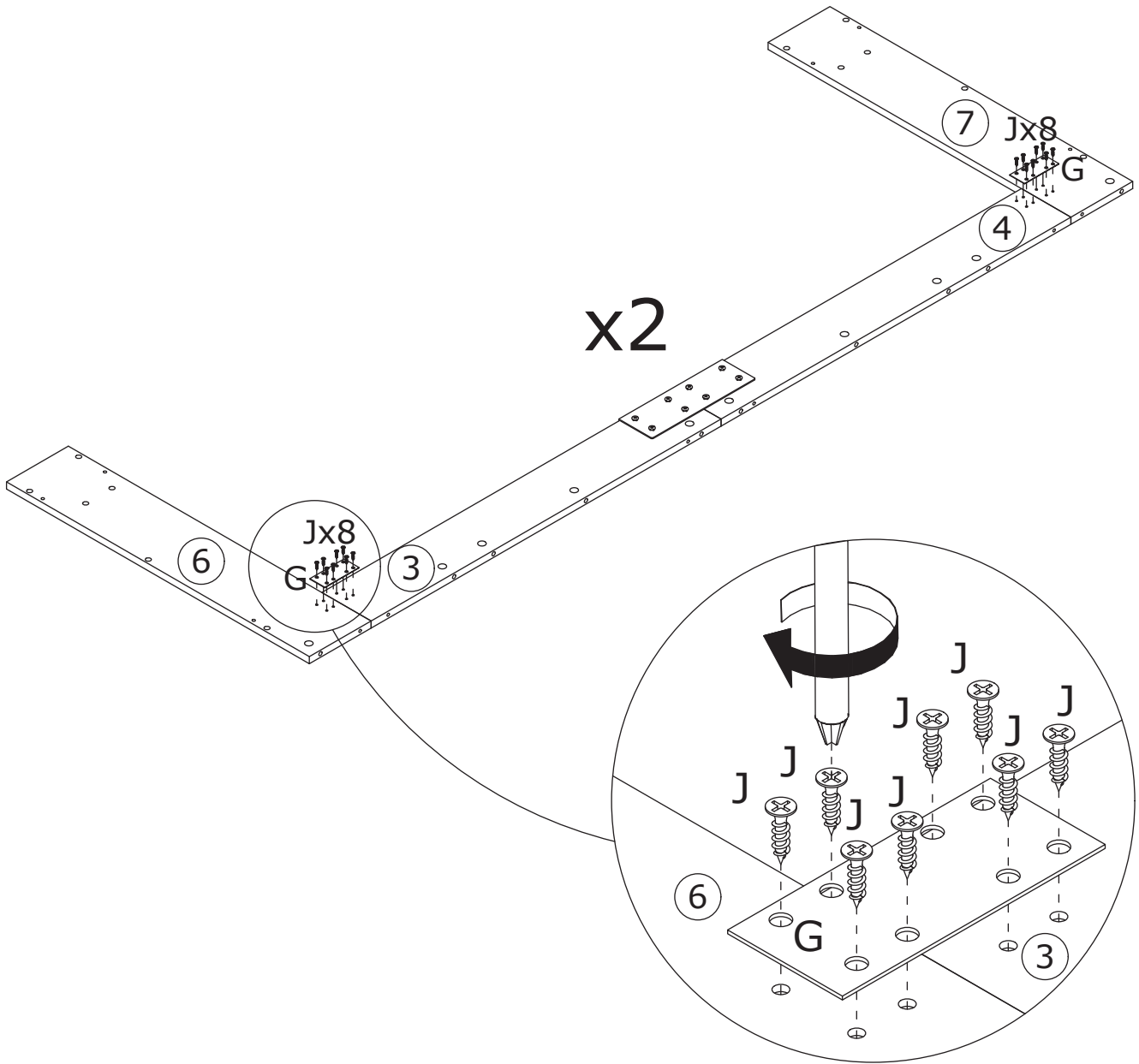
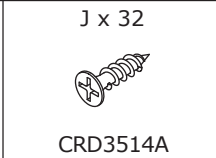
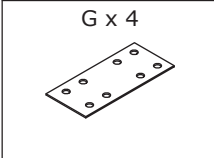
4

E x 8
CRF0840A



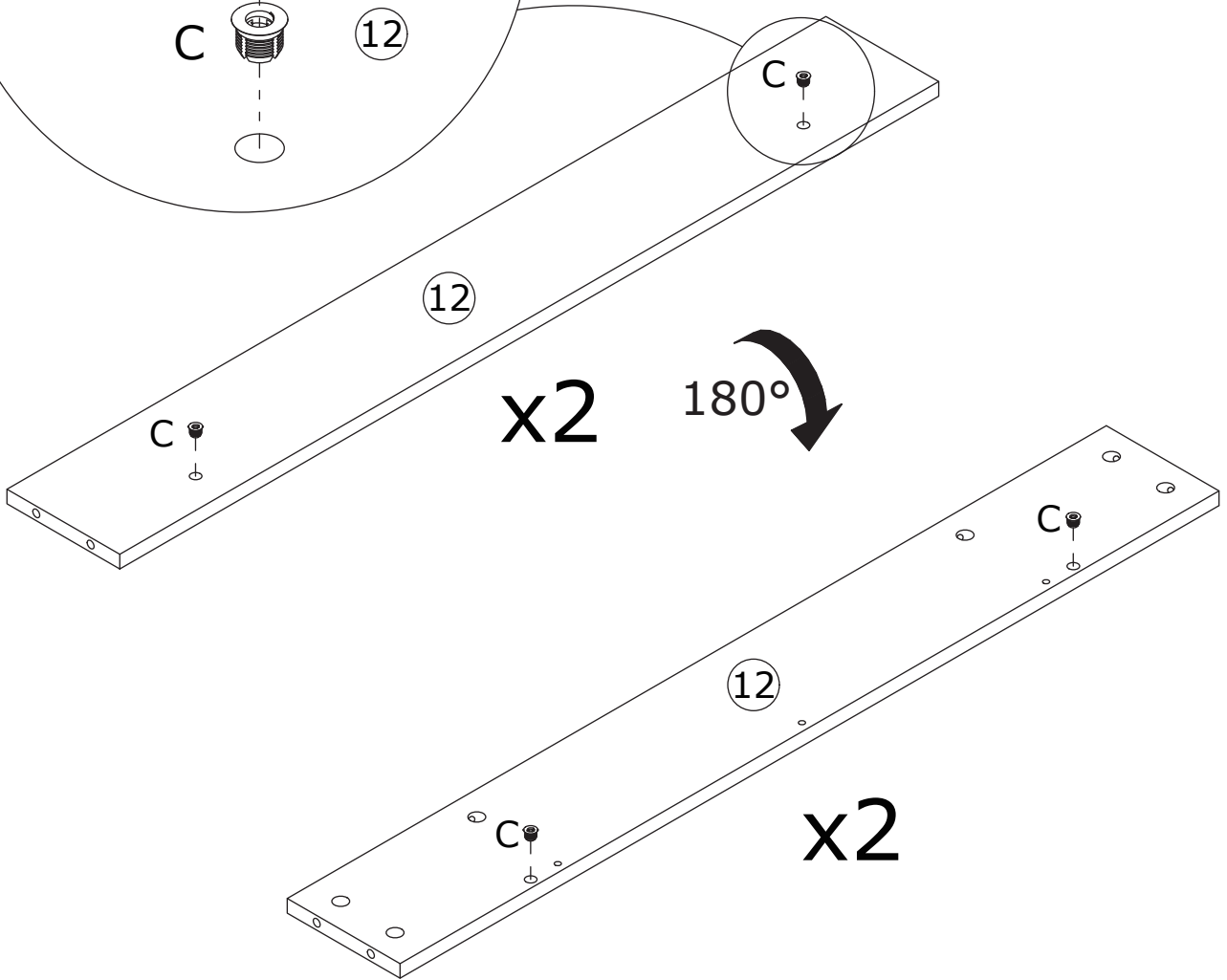
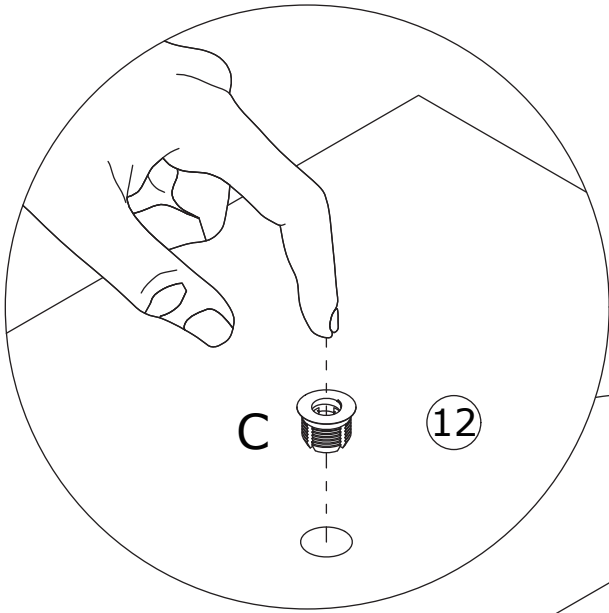
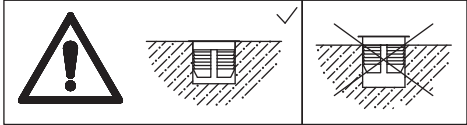
Insert dowels (E) into panel 3 and 4 as shown.
Connect panel 6 and 7 to panel 3 and 4.

5



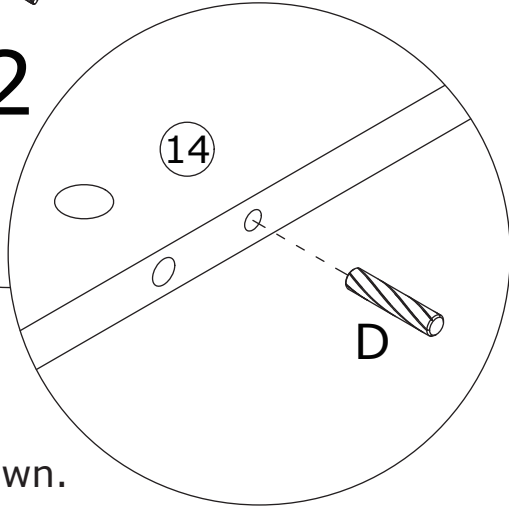
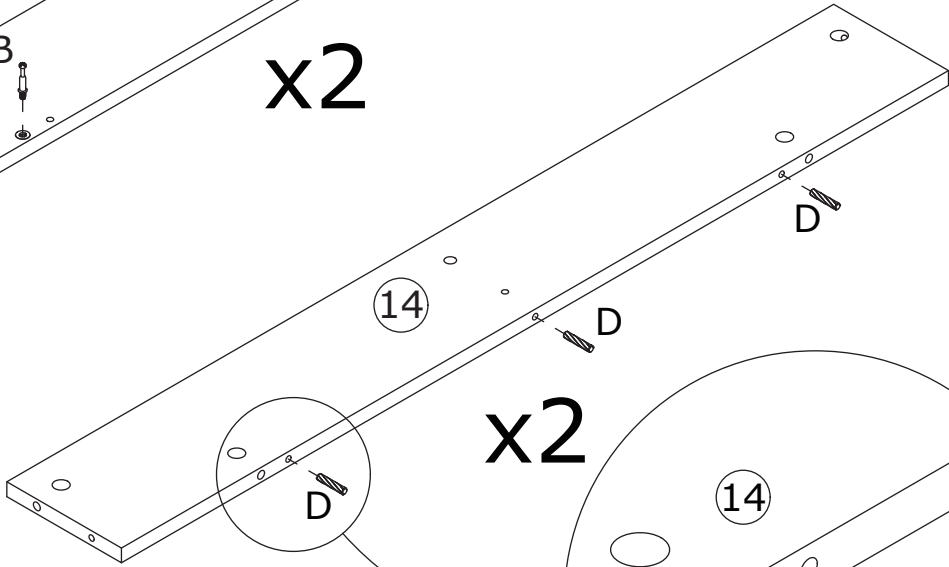
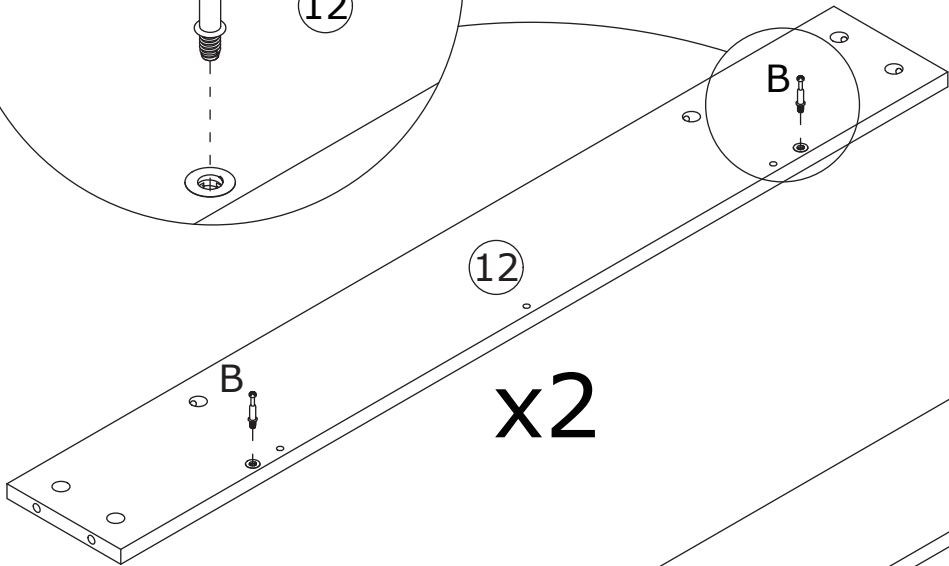
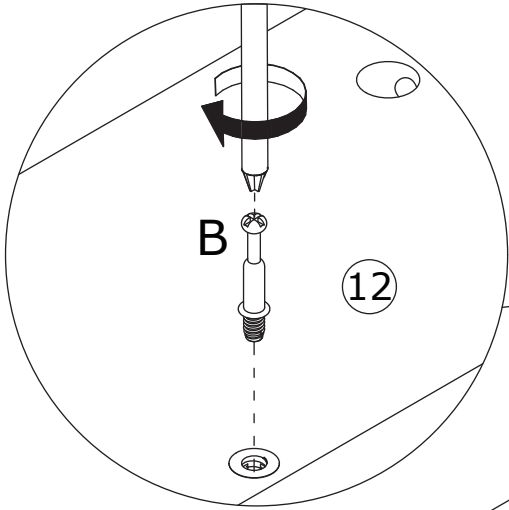
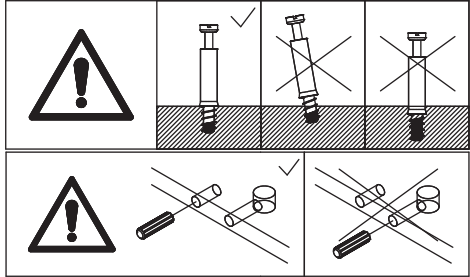
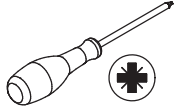
Use screws (J) to secure parts (G) to panel 3, 4, 6 and 7 as shown.

6



Install part (C) into panel 12 as shown.

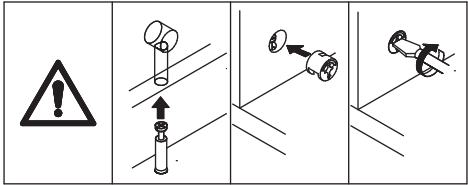
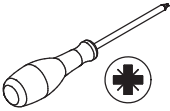
7



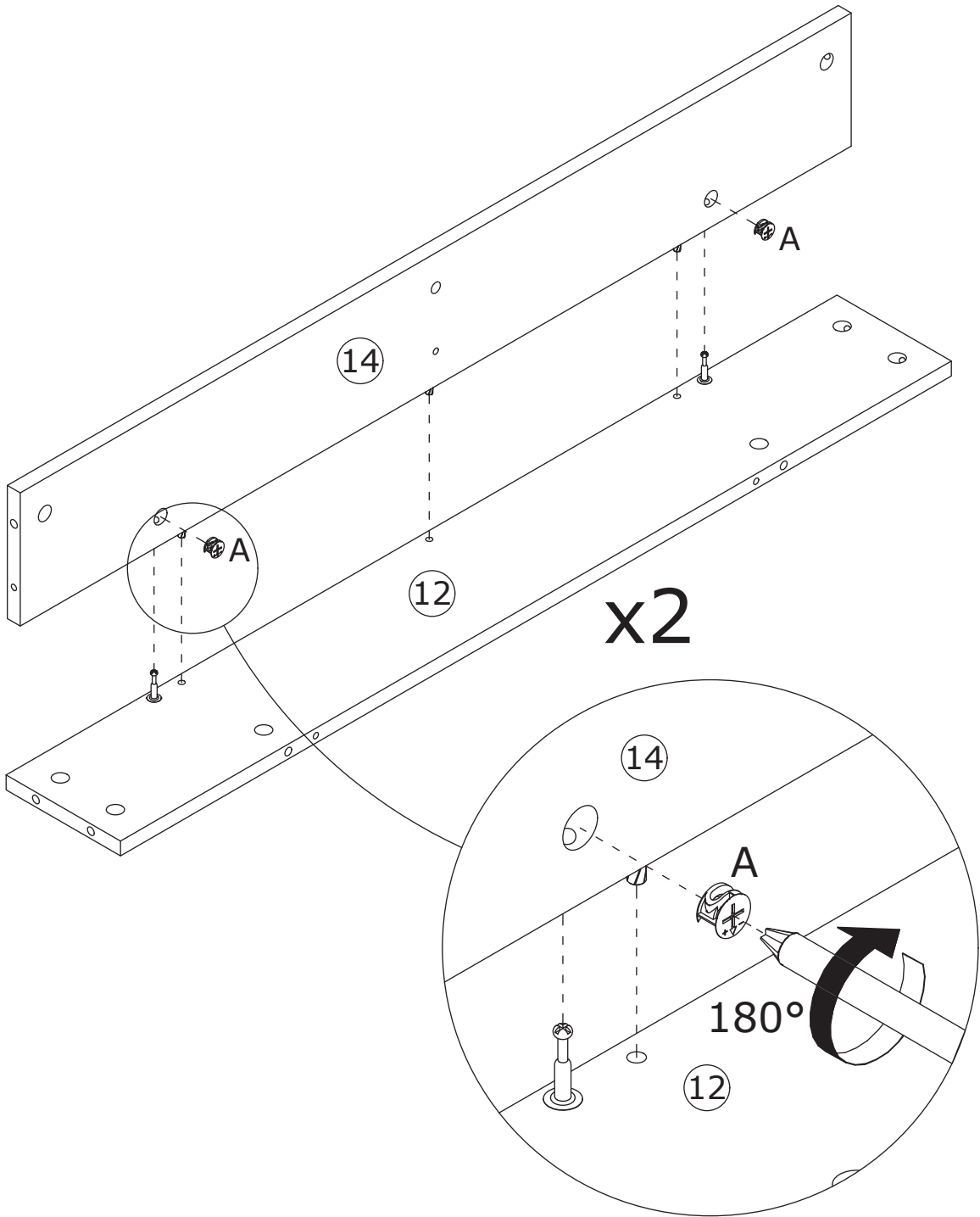
Screw self-tapping rod (B) into part (C) as shown.
Install dowel (D) into panel 14.

8

A x 4
CRB1595A

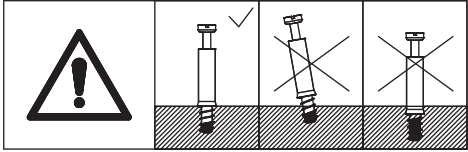
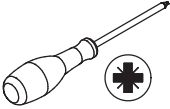


Attach panel 14 to panel 12 as shown and add eccentric wheel (A) to tighten in clockwise rotation.

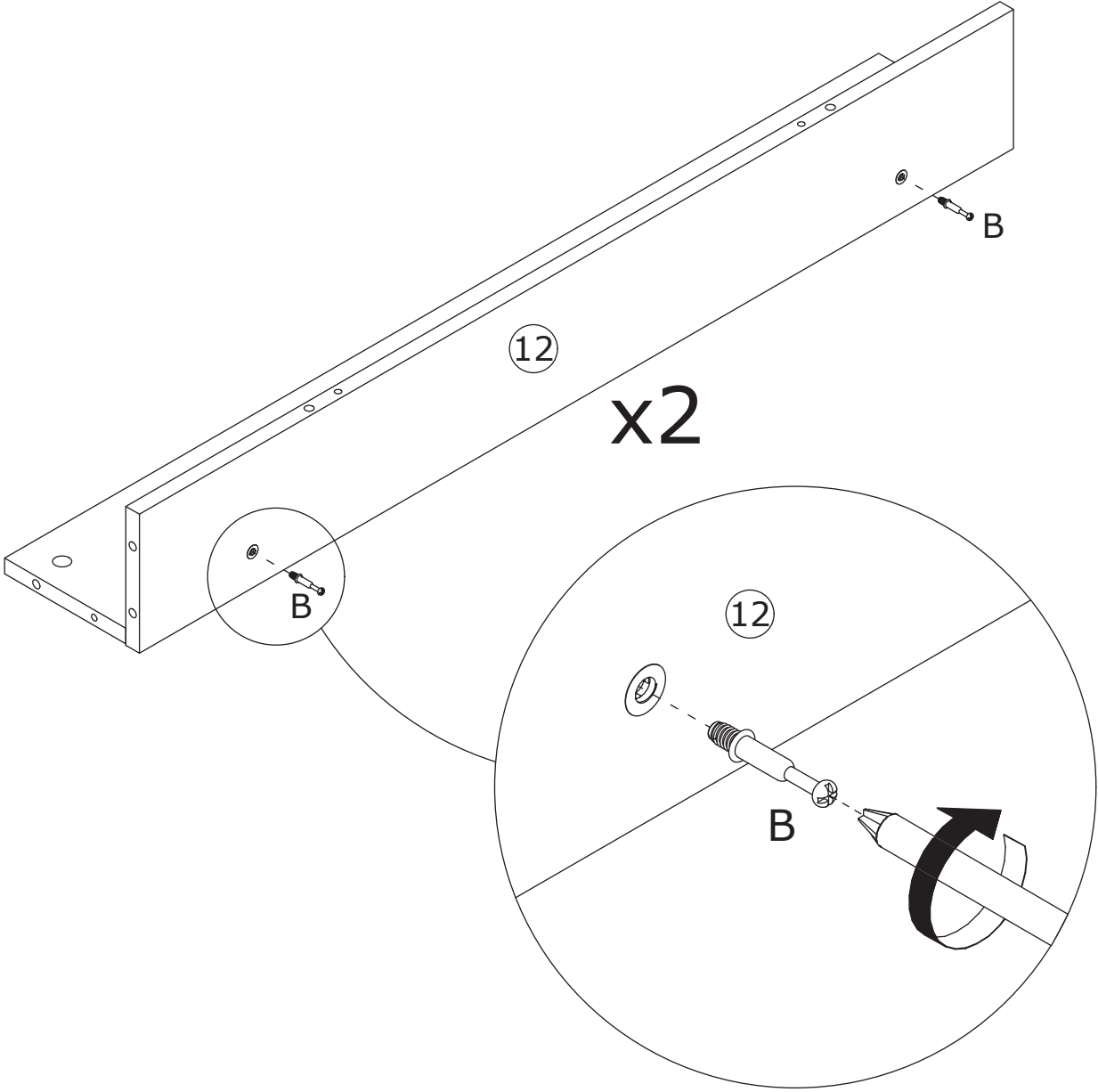


9

B x 4
CRA0635B

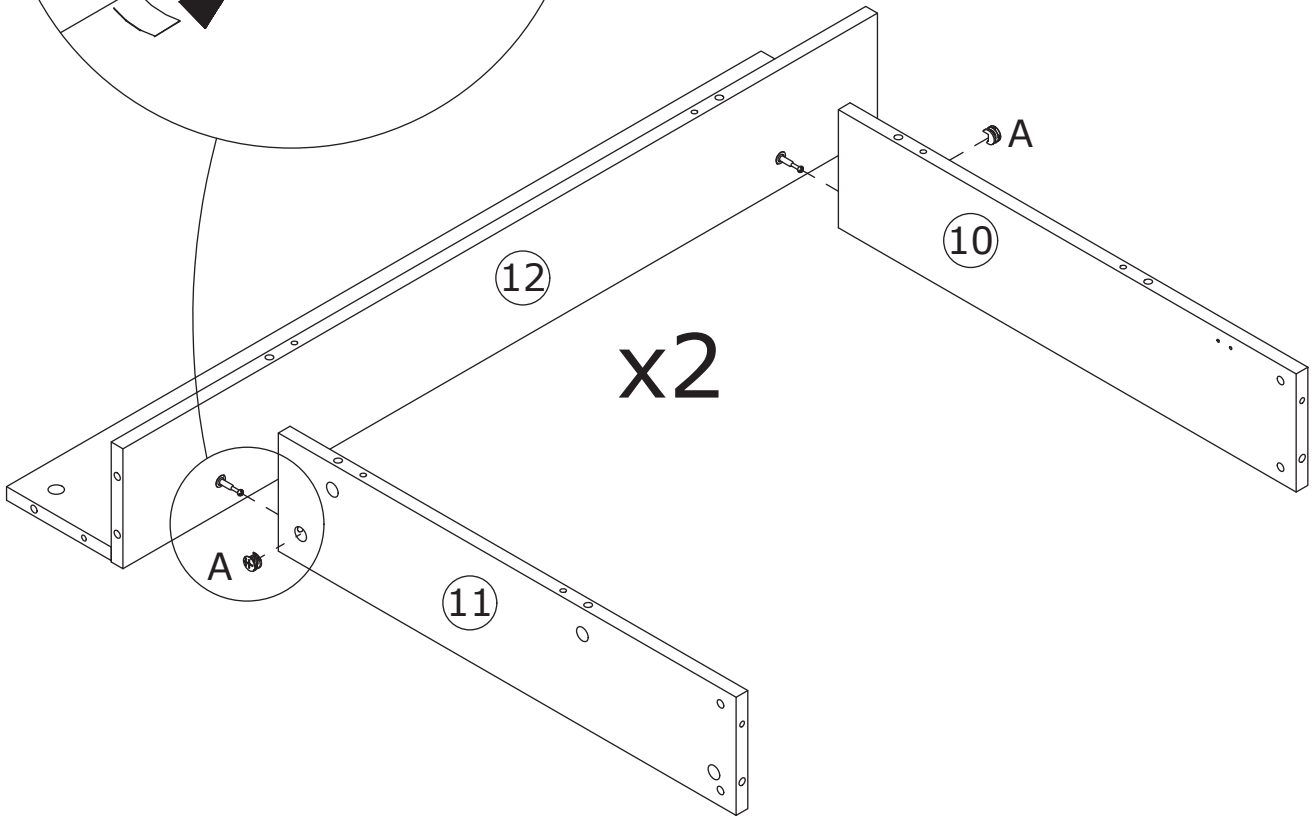
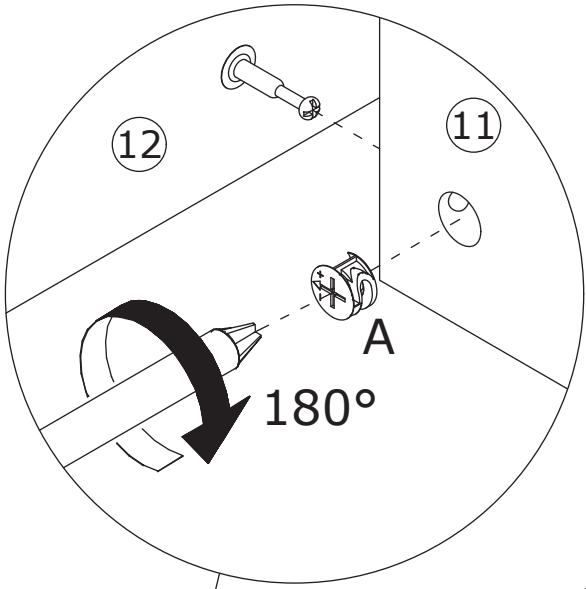
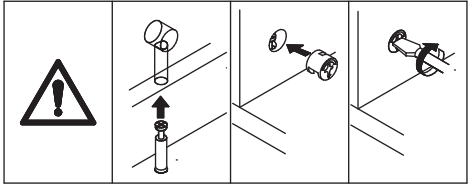
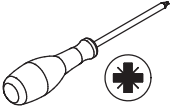


Screw self-tapping rod (B) into part (C) as shown.



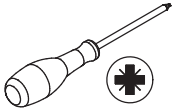
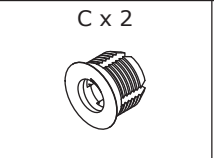
10

A x 4
CRB1595A

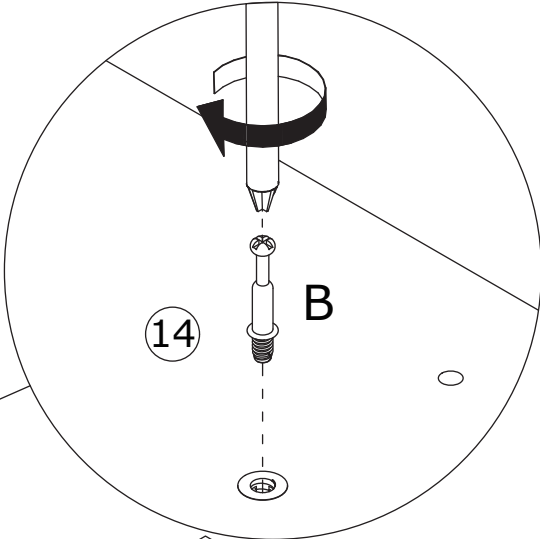
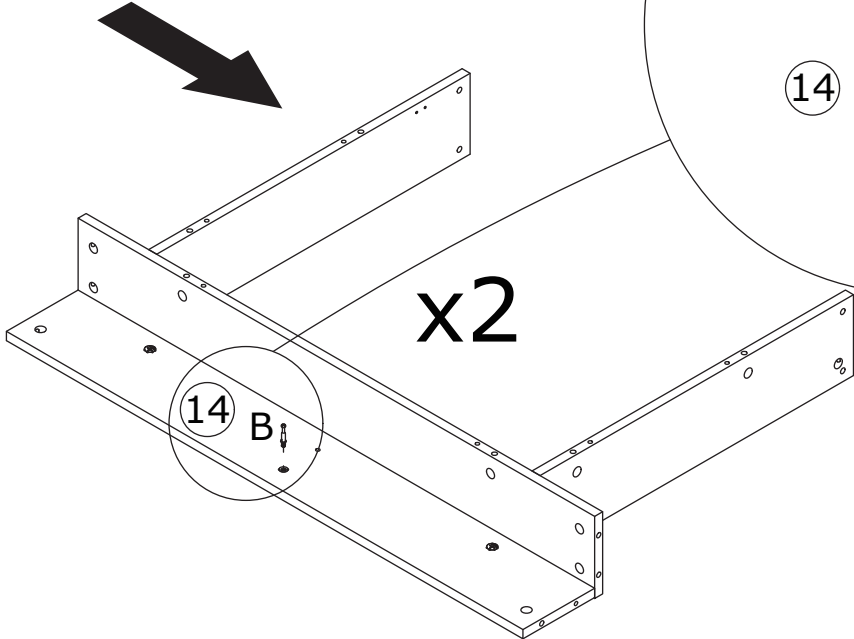
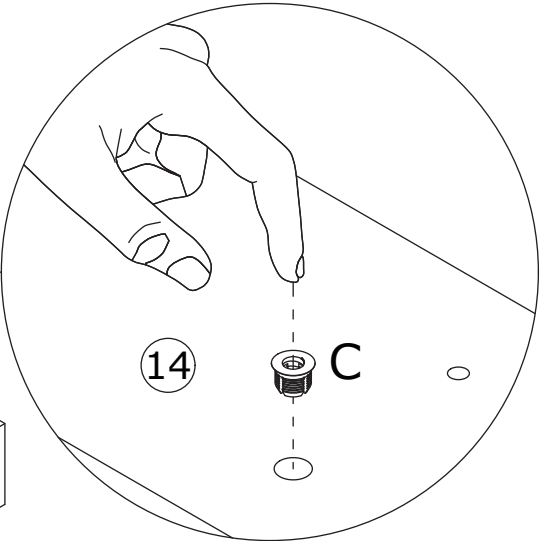
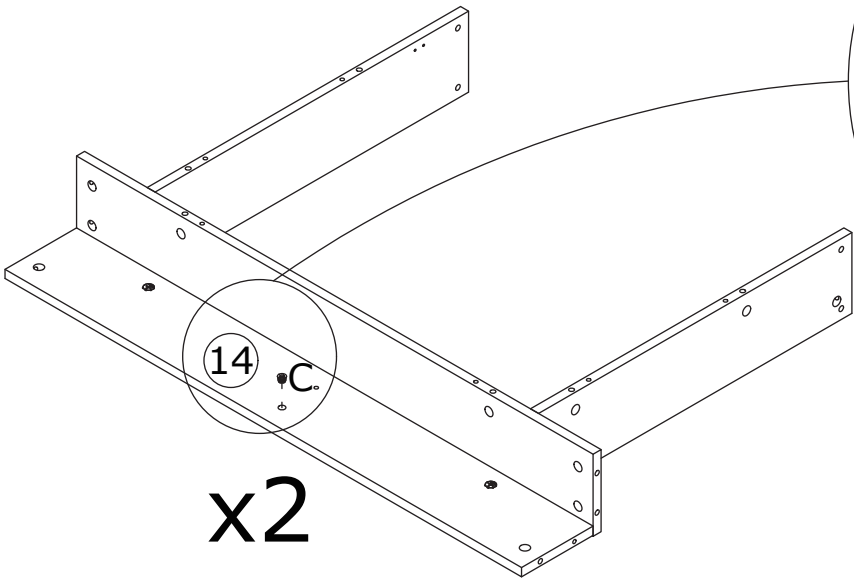
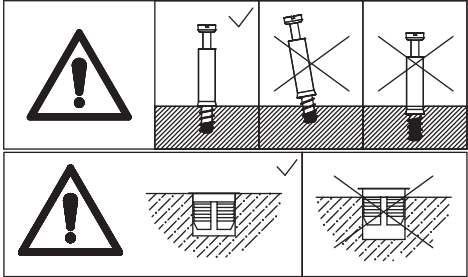


Connect panel 10 and 11 to panel 12 and add the eccentric wheel (A) to tighten in clockwise rotation.

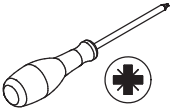
11



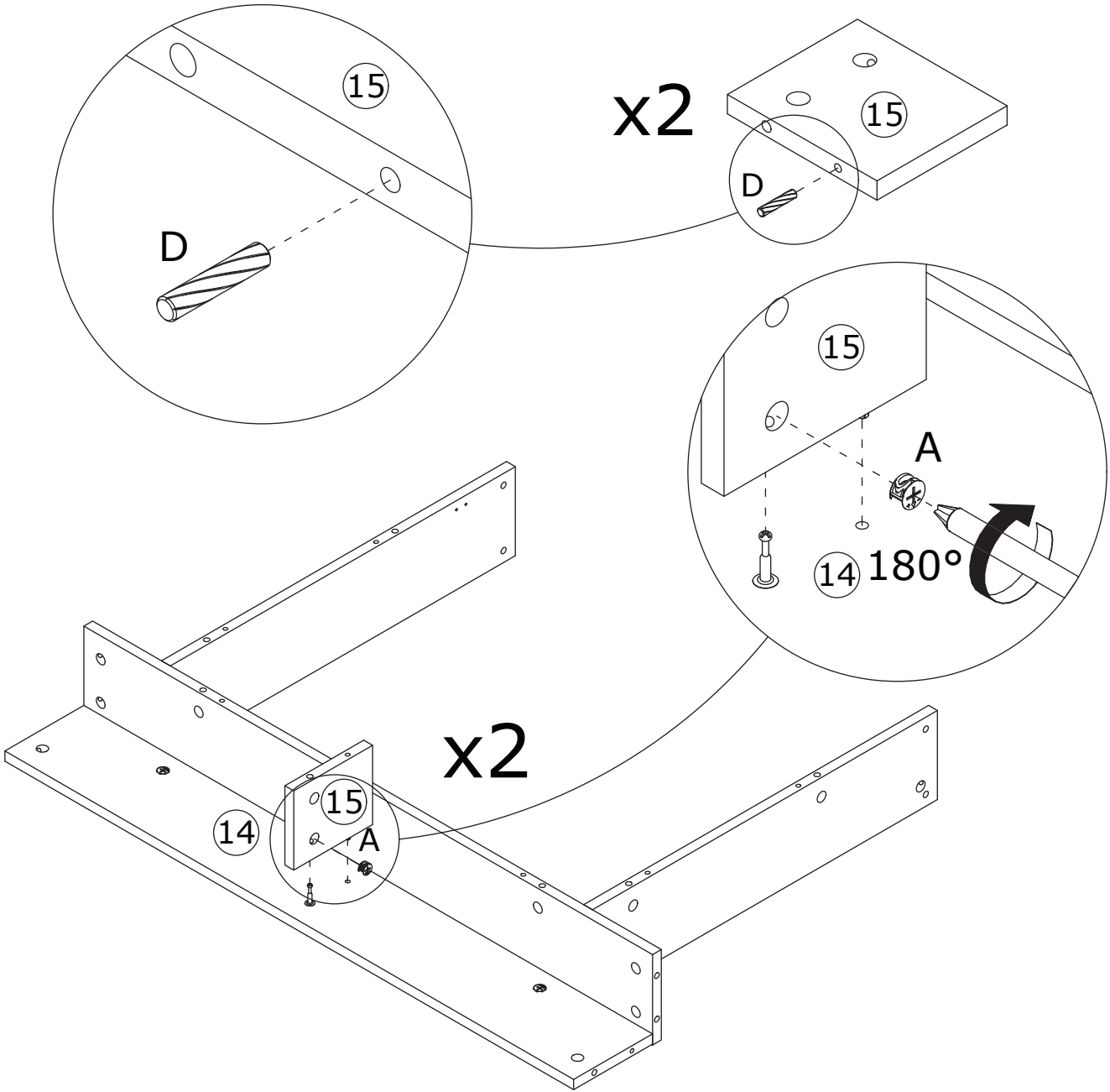
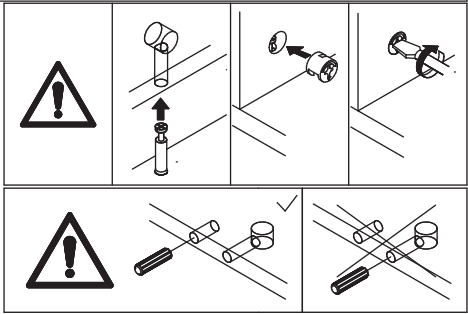
Install part (C) into panel 14, then screw self-tapping rod (B) into part (C).



12

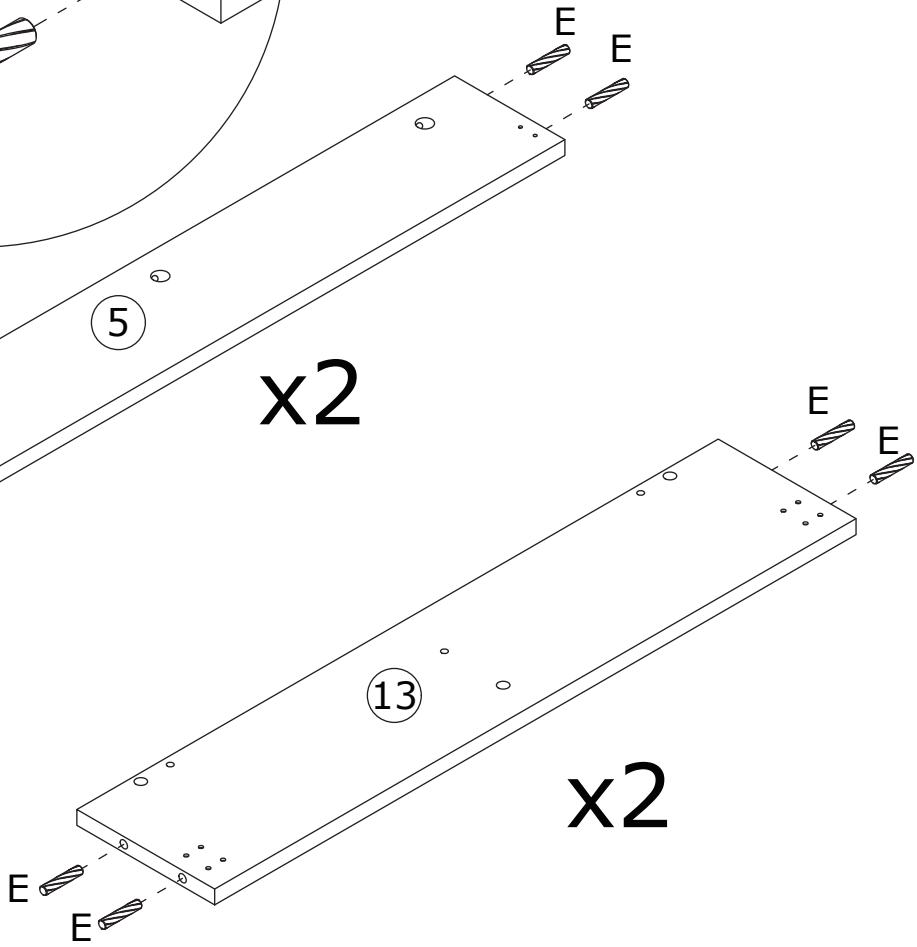
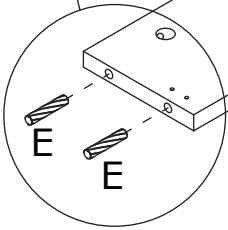
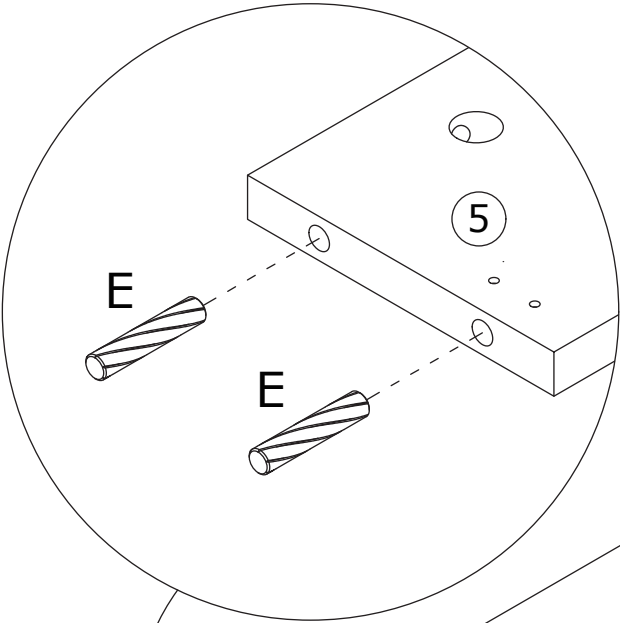
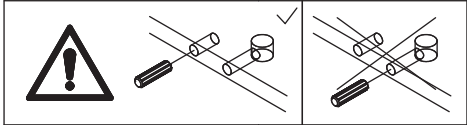


Install dowel (D) into panel 15 as shown. Attach panel 15 to panel 14 and add eccentric wheel (A) to tighten in clockwise rotation.



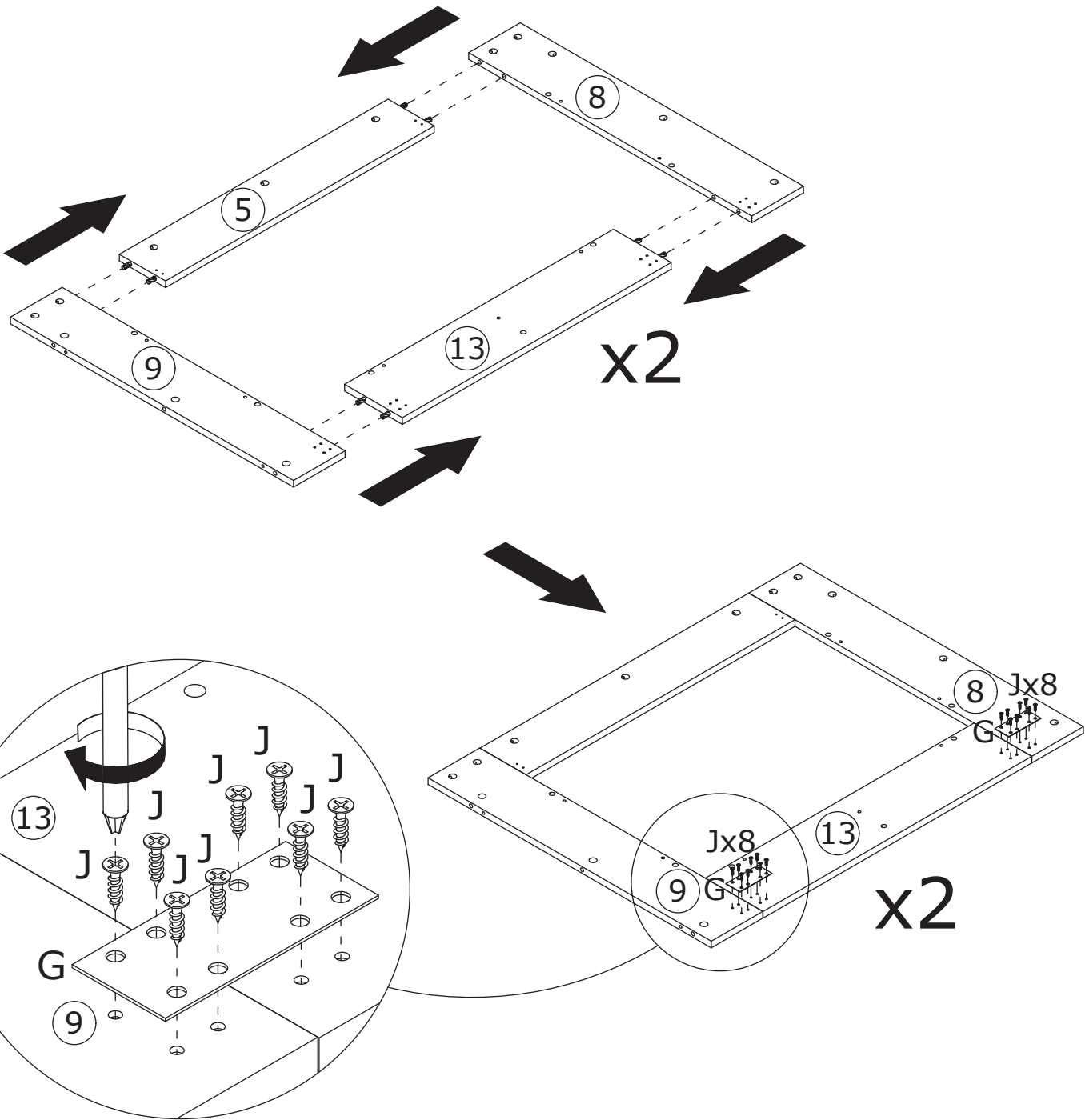
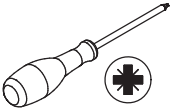
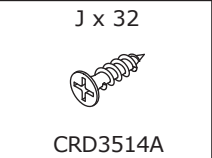
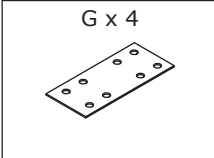
13

E x 16
CRF0840A



Install dowels (E) to panel 5 and 13 as shown.

14

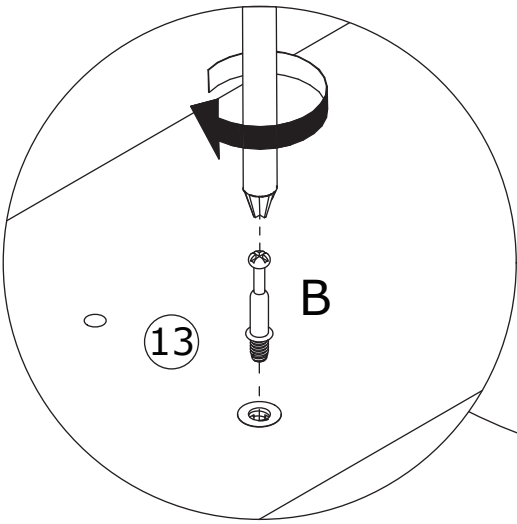
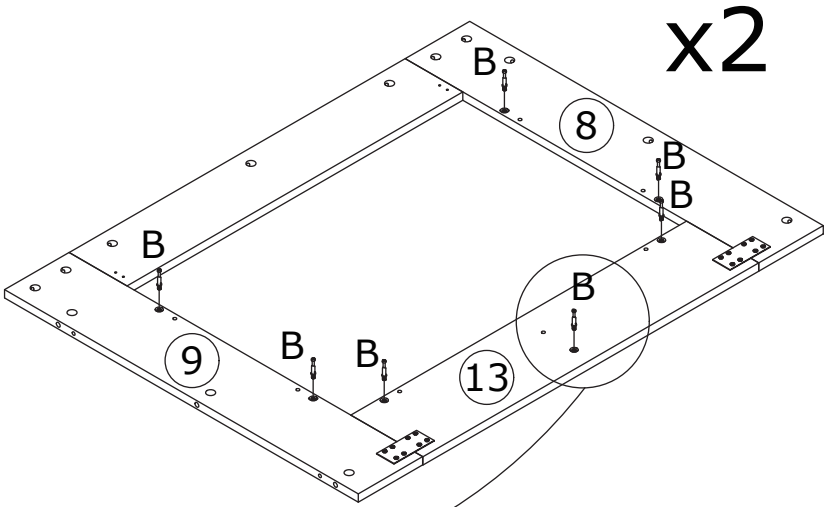
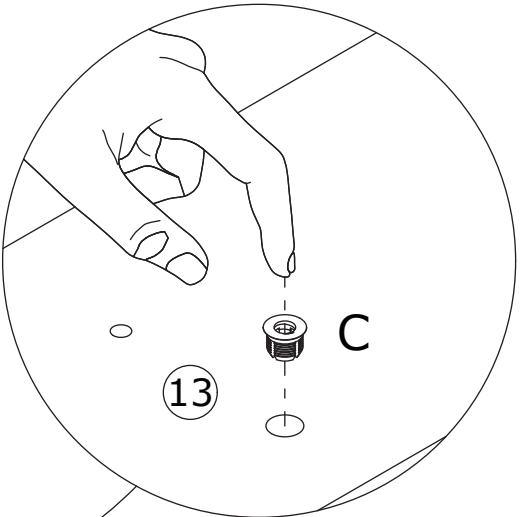
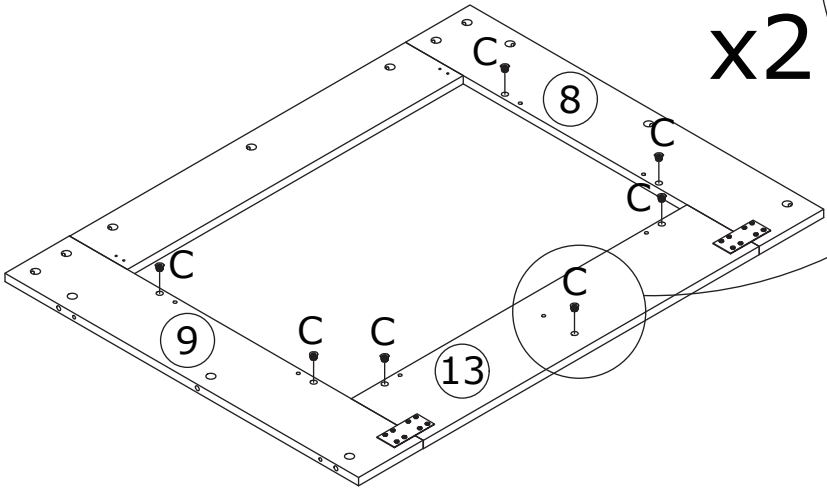
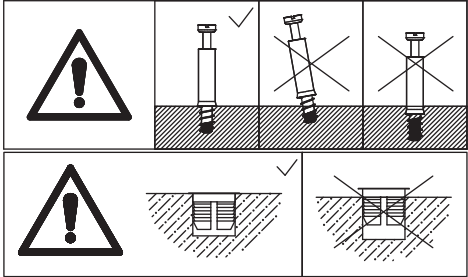


Connect panel 8 and 9 to panel 5 and 13 as shown.
Use screws (J) to secure parts (G) to panel 8, 9, and 13.

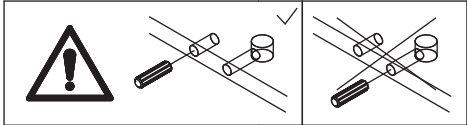
15



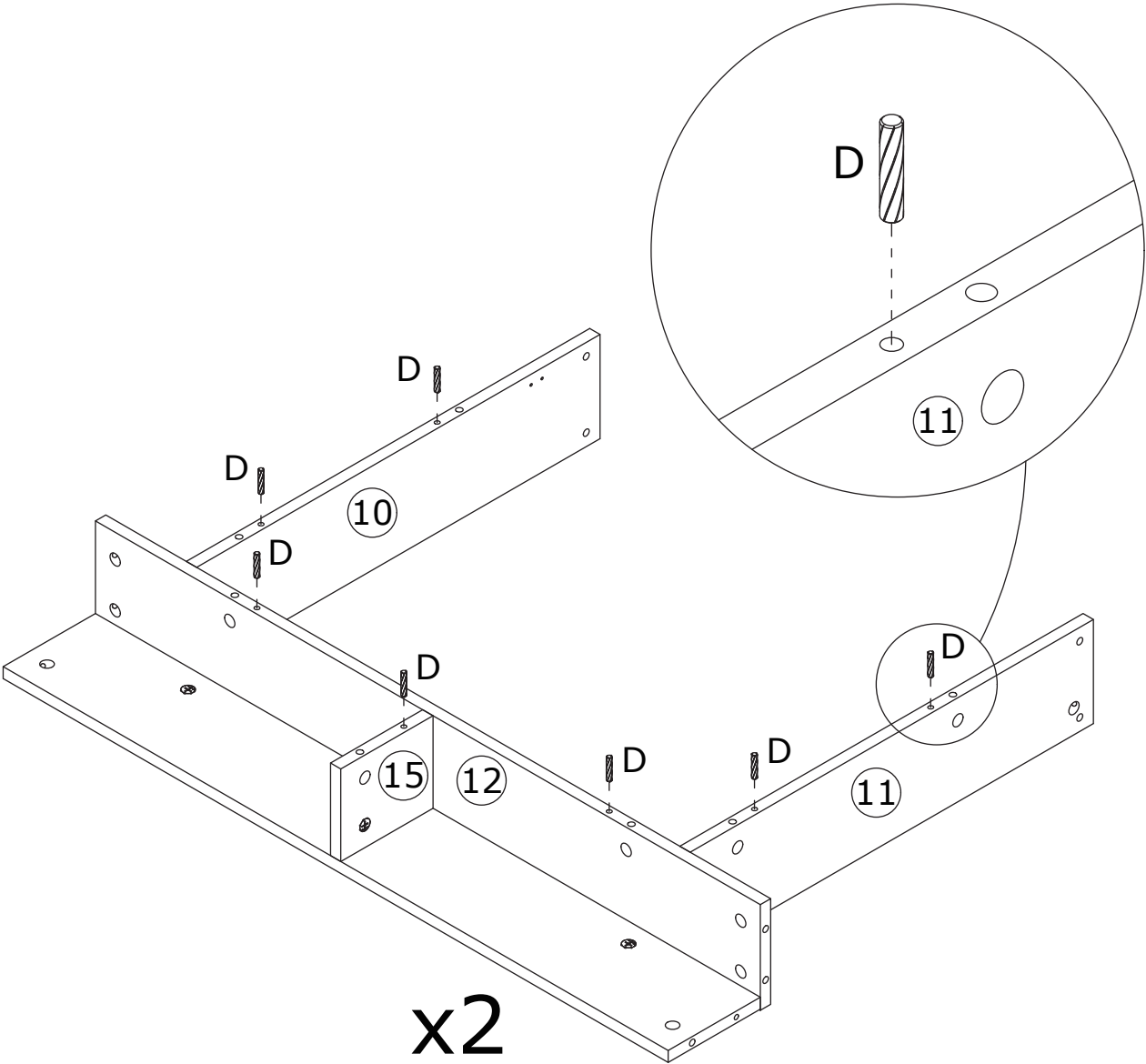
Install part (C) to panel 8, 9 and 13, then screw self-tapping rod (B) into part (C).



16

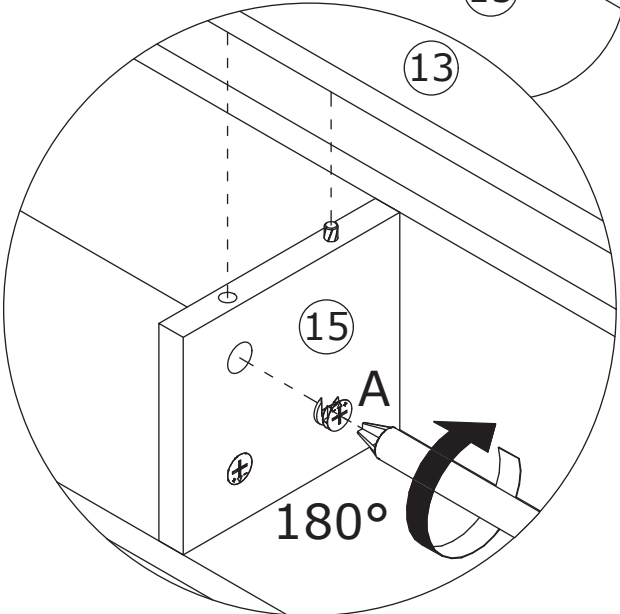
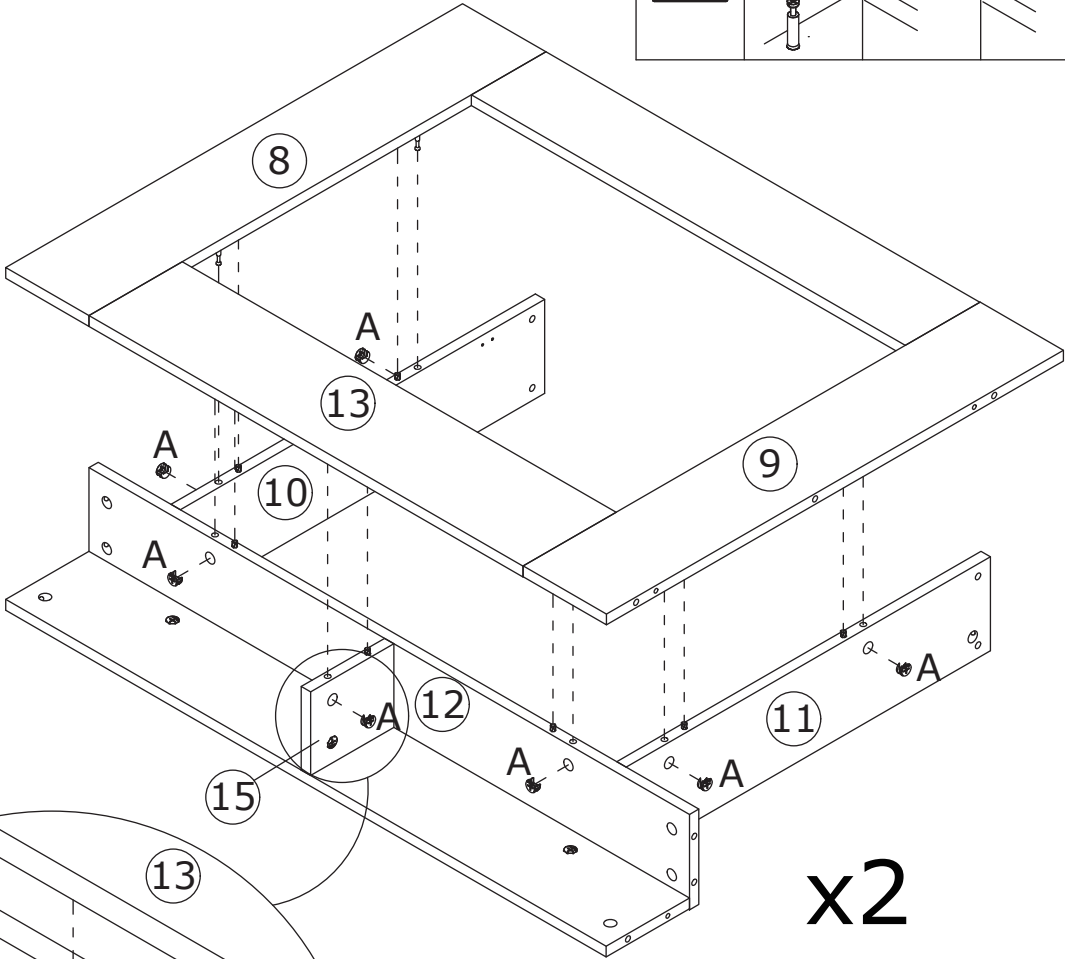
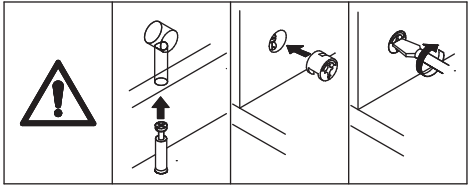
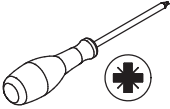


Install dowels (D) into panel 10, 11, 12 and 15 as shown.




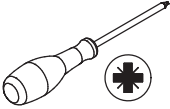
17

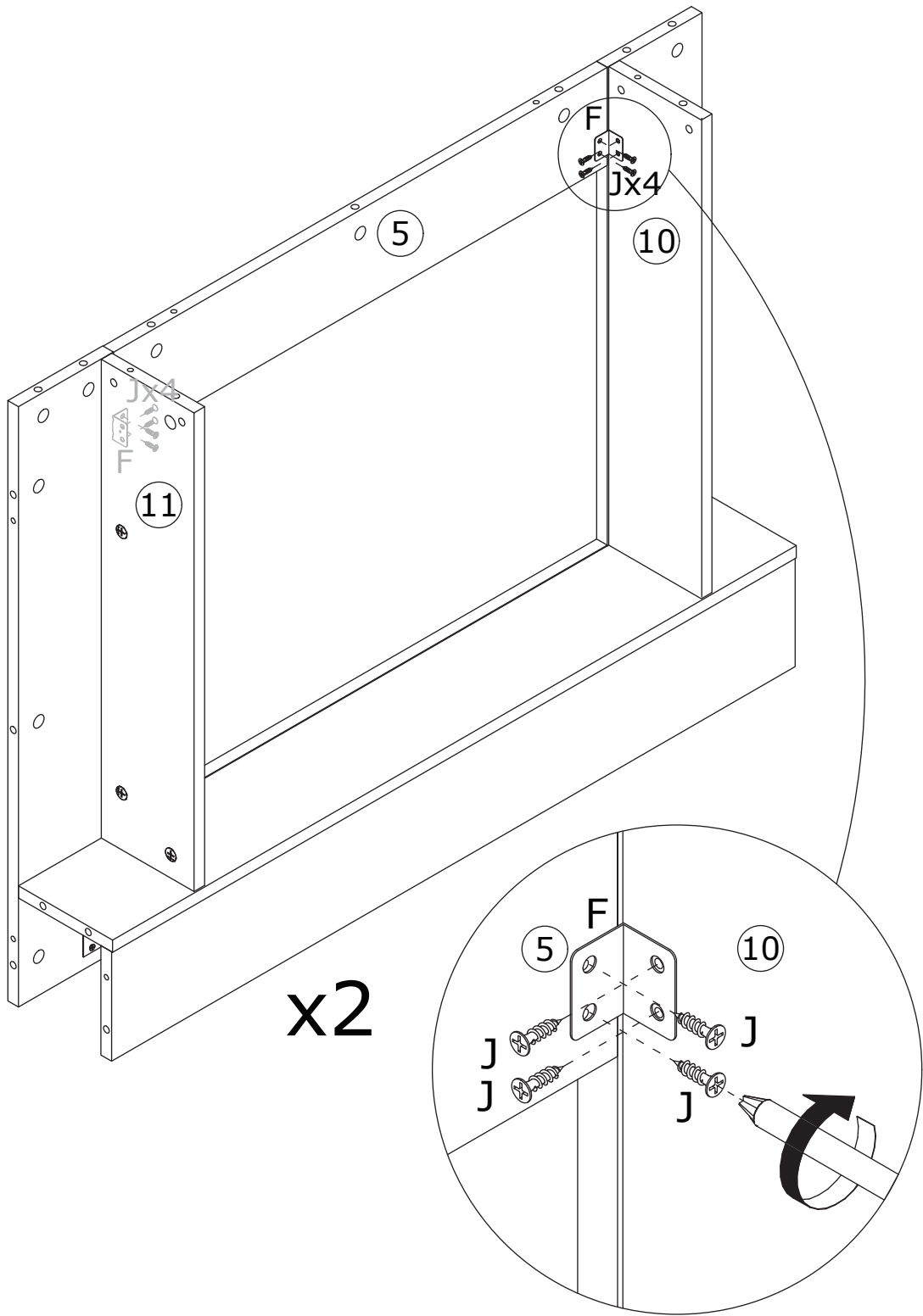
A x 14
CRB1595A



Attach panel 8, 9 and 13 to the mounting unit and add the eccentric wheel (A) to tighten in clockwise rotation.

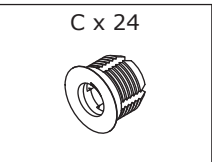
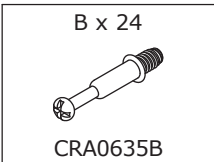
18

<p>F x 4</p> 	<p>J x 16</p>  <p>CRD3514A</p>	
--	---	---

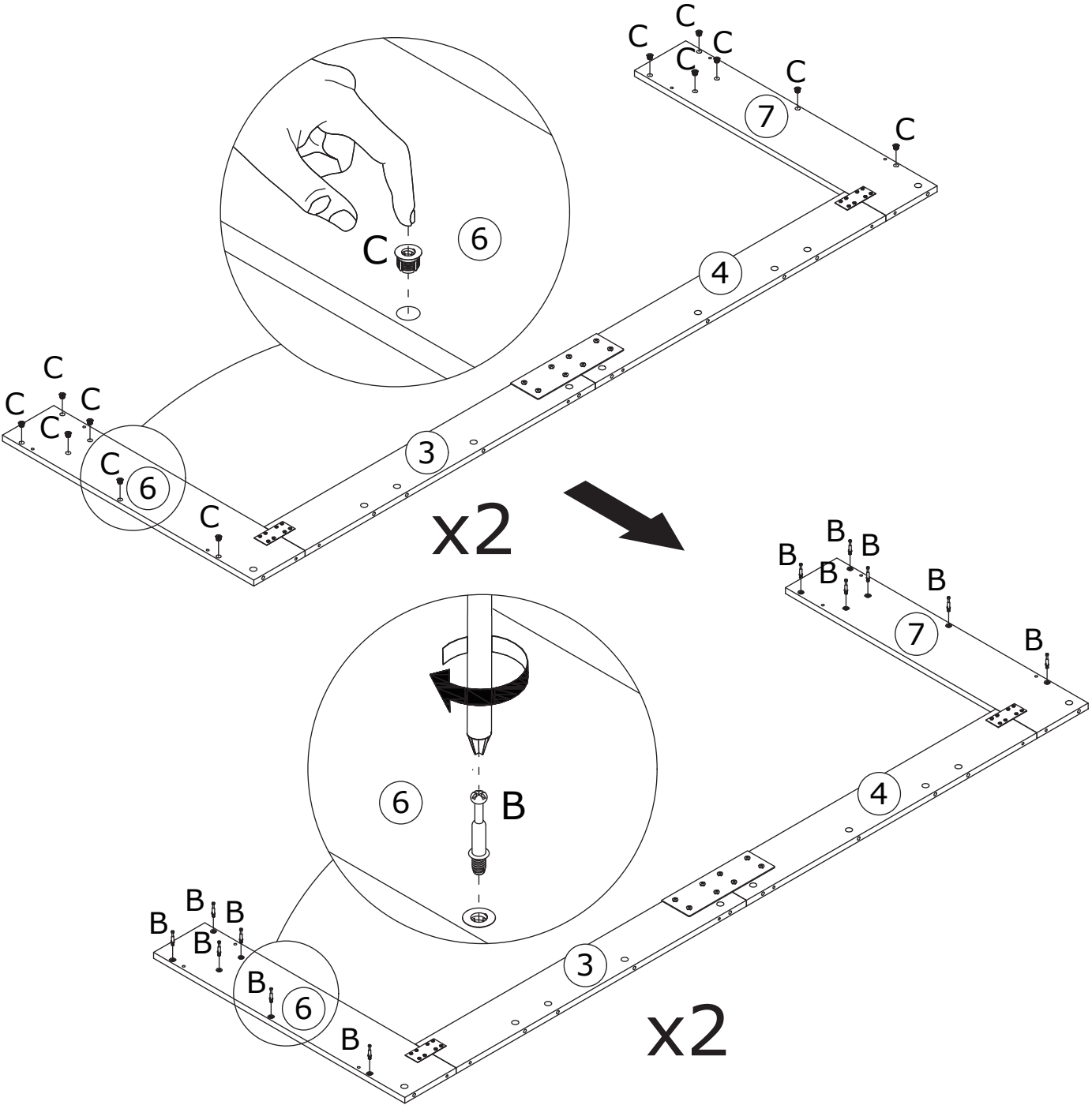
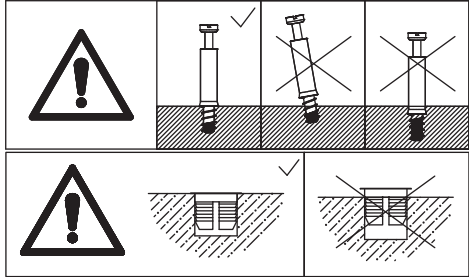


Use screws (J) to secure parts (F) to panel 5, 10, and 11 as shown.

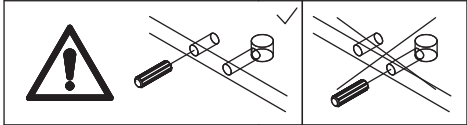
19



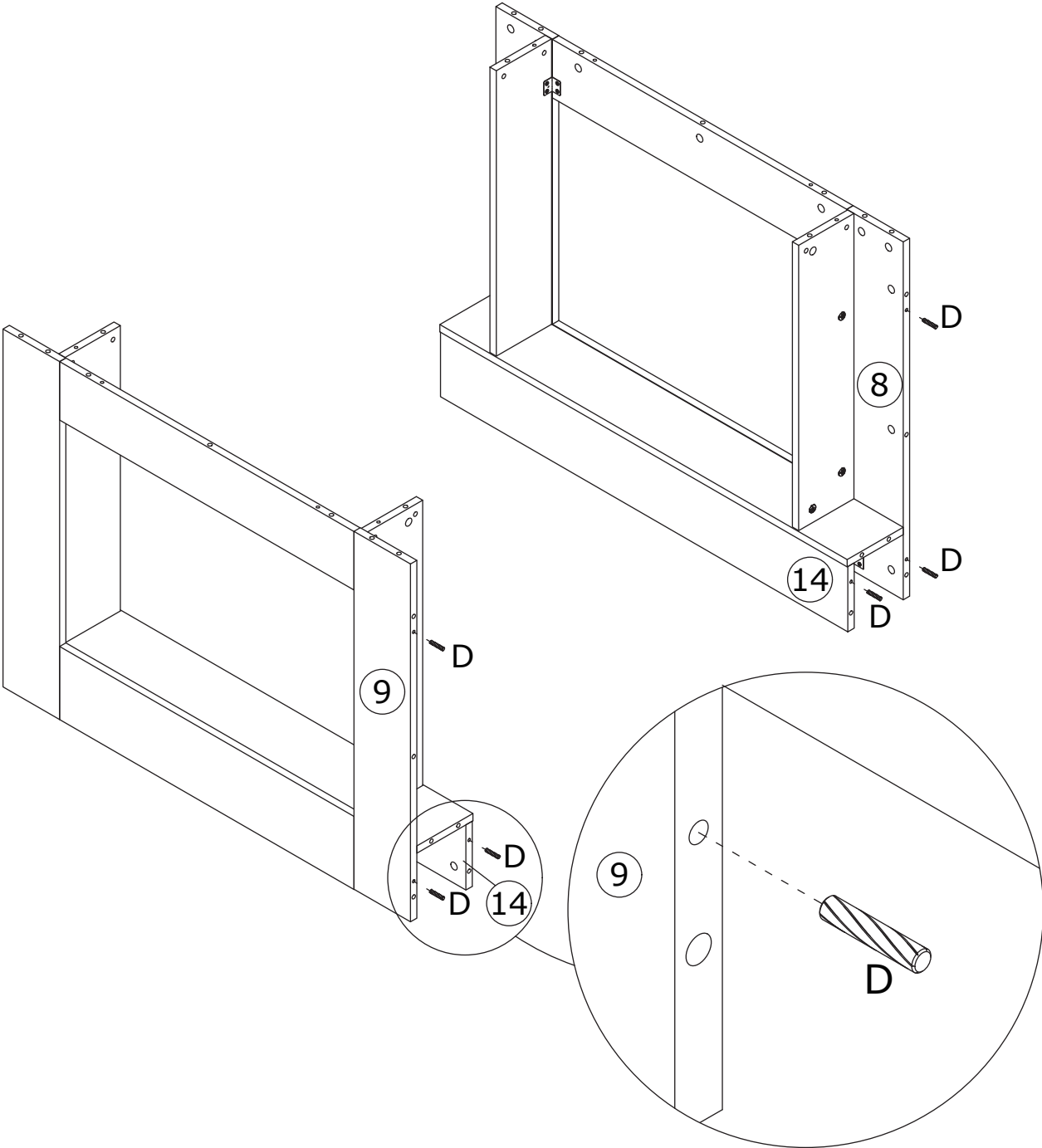
Install part (C) to panel 6 and 7 as shown, then screw self-tapping rod (B) into part (C).



20

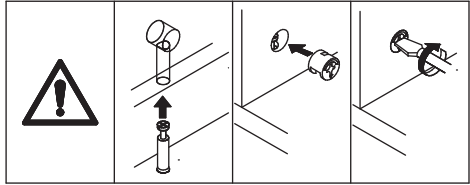


Install dowels (D) into panel 8, 9 and 14 as shown.

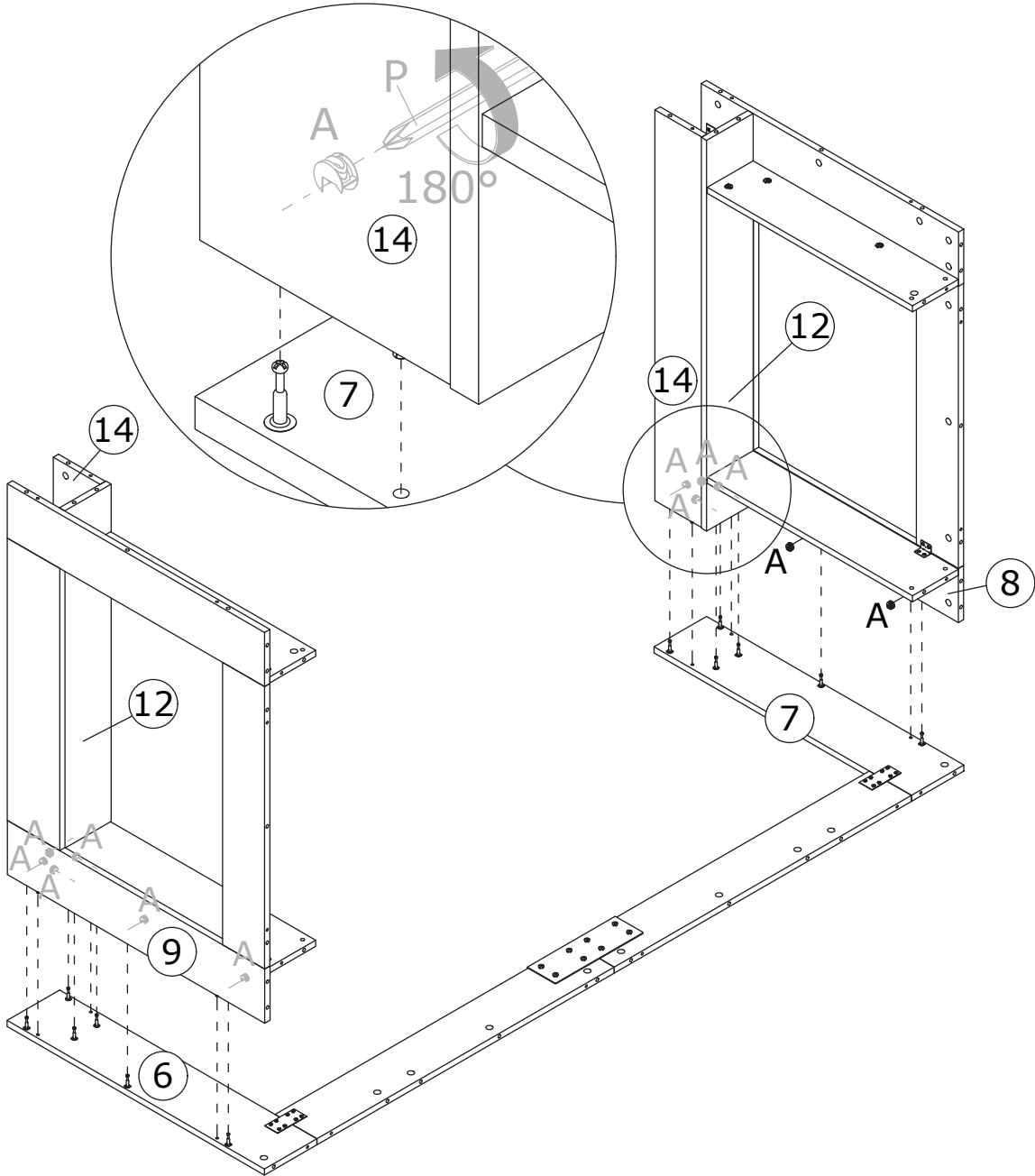


21

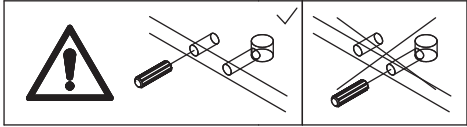
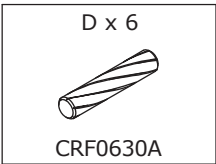
A x 12  CRB1595A	P x 1 	
---	--	---



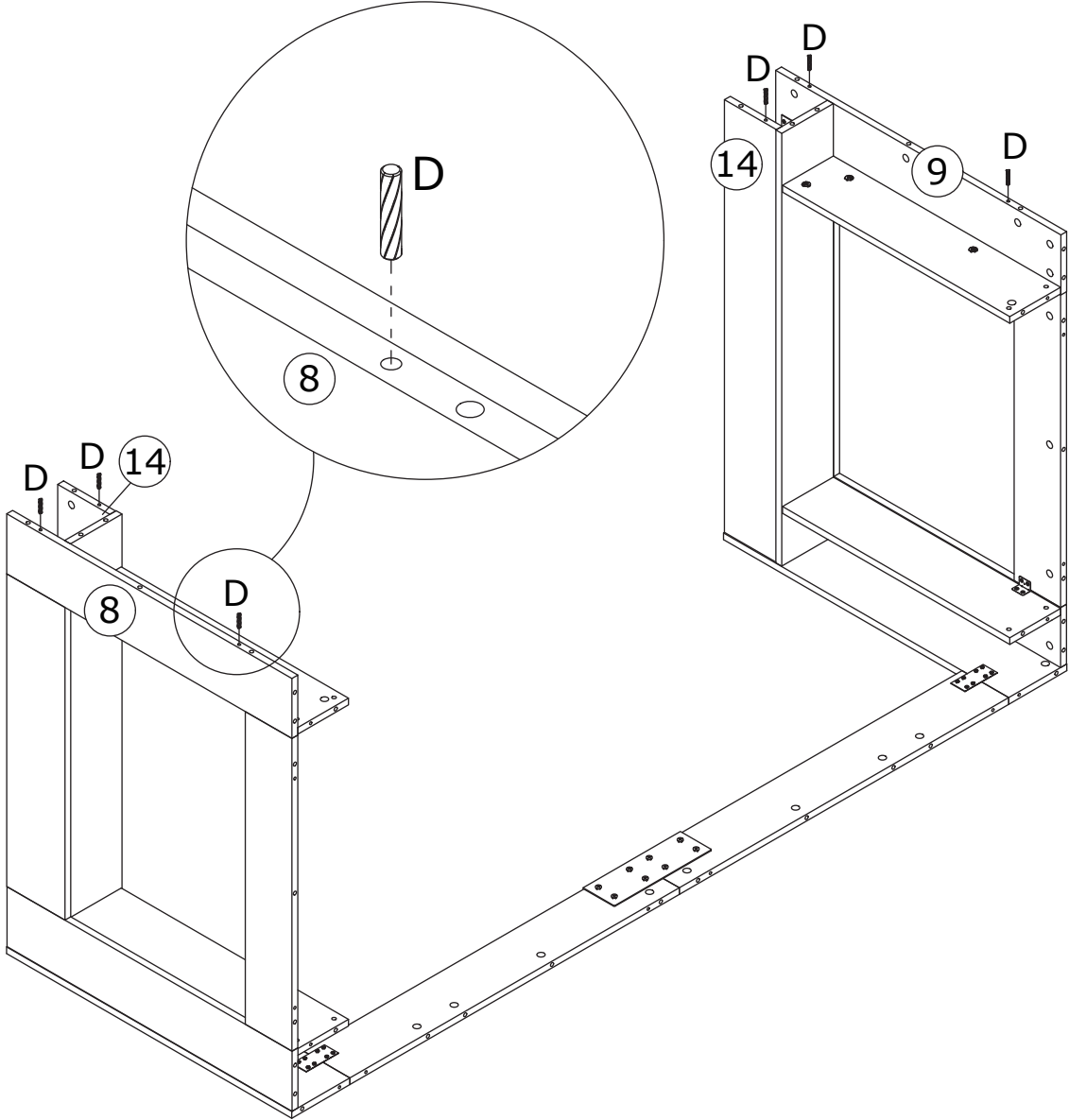
Attach panel 8, 9, 12 and 14 to the mounting unit and add the eccentric wheel (A) to tighten in clockwise rotation.



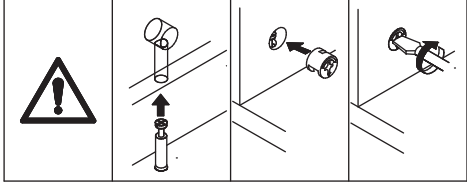
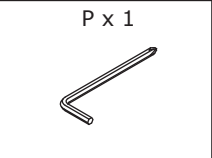
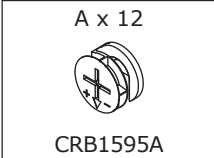
22



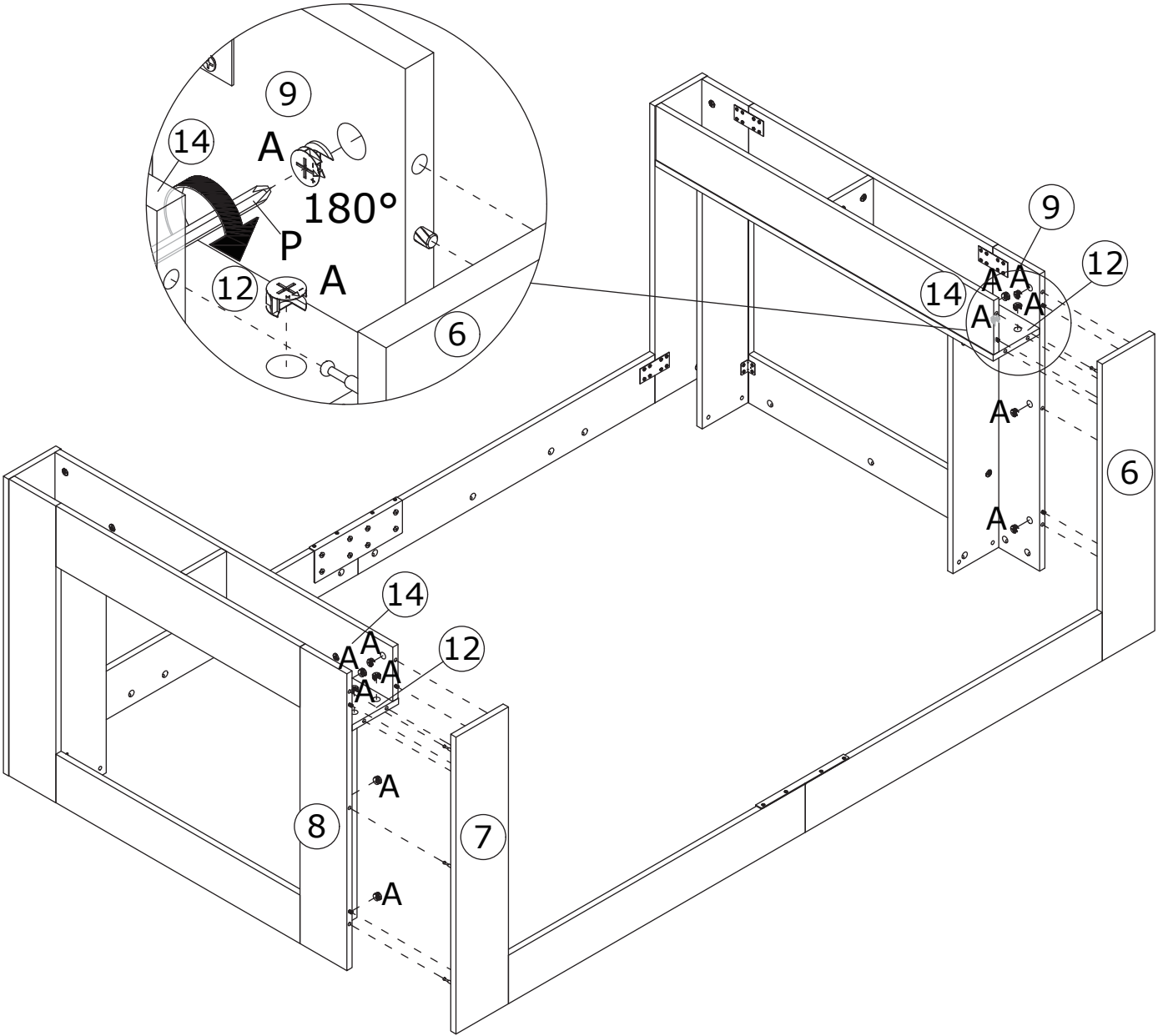
Install dowels (D) into panel 8, 9 and 14 as shown.



23

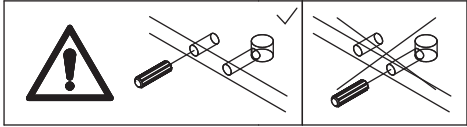


Attach panel 6 and 7 to the mounting unit and add the eccentric wheel (A) to tighten in clockwise rotation.

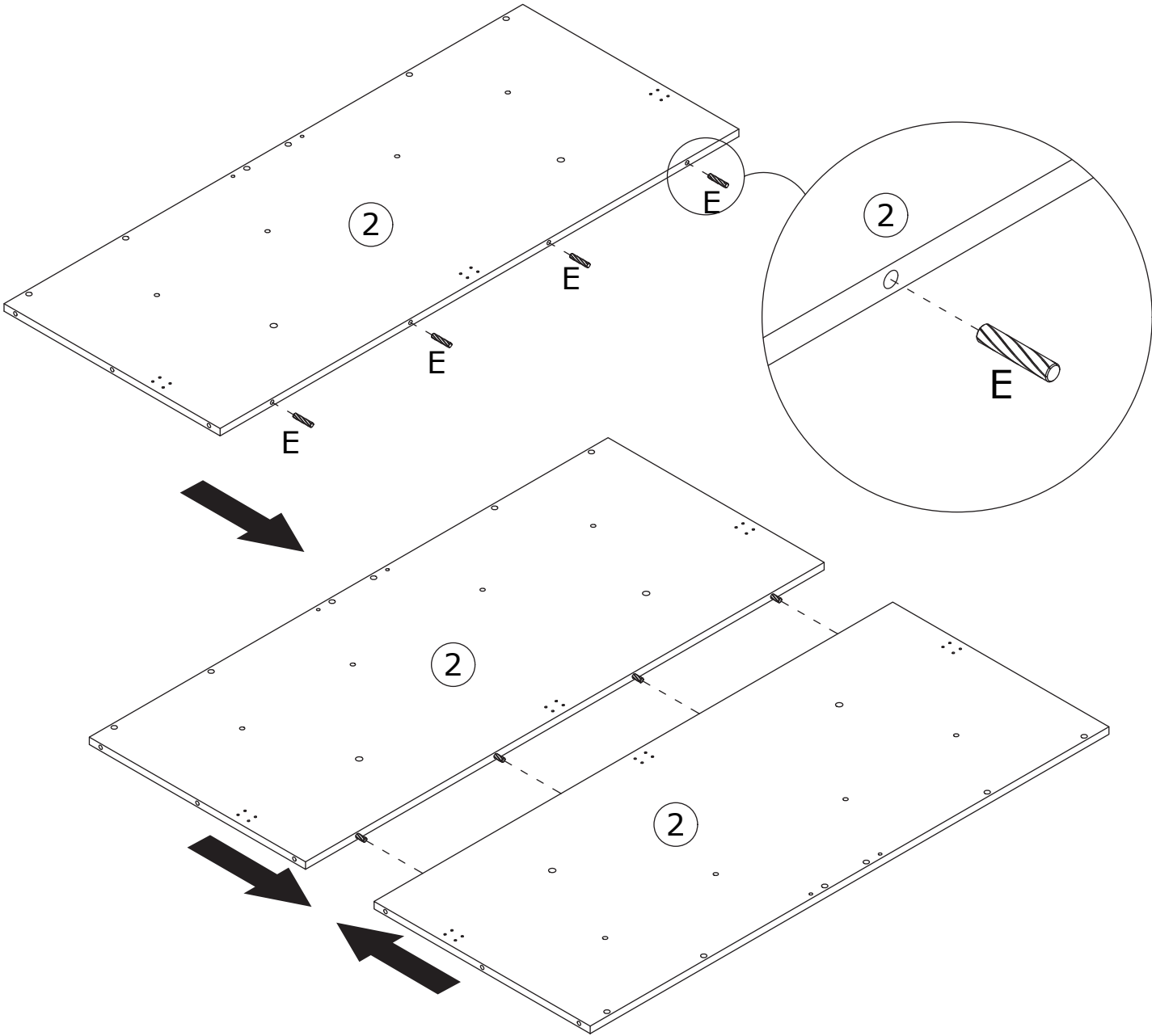


24

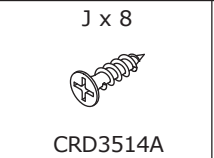
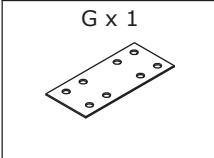
E x 4
CRF0840A



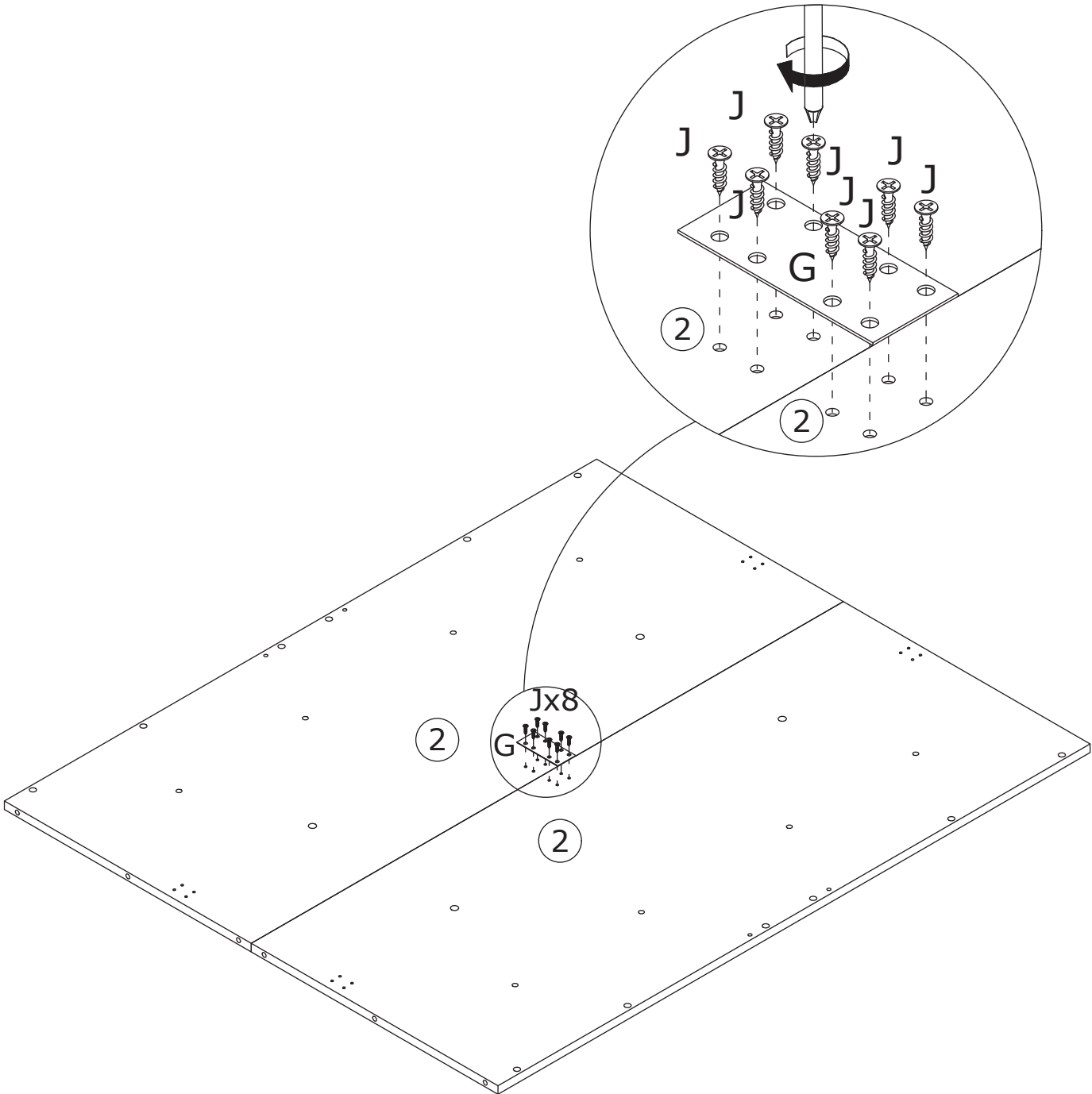
Install dowels (E) into panel 2 as shown.
Connect two panel 2.



25

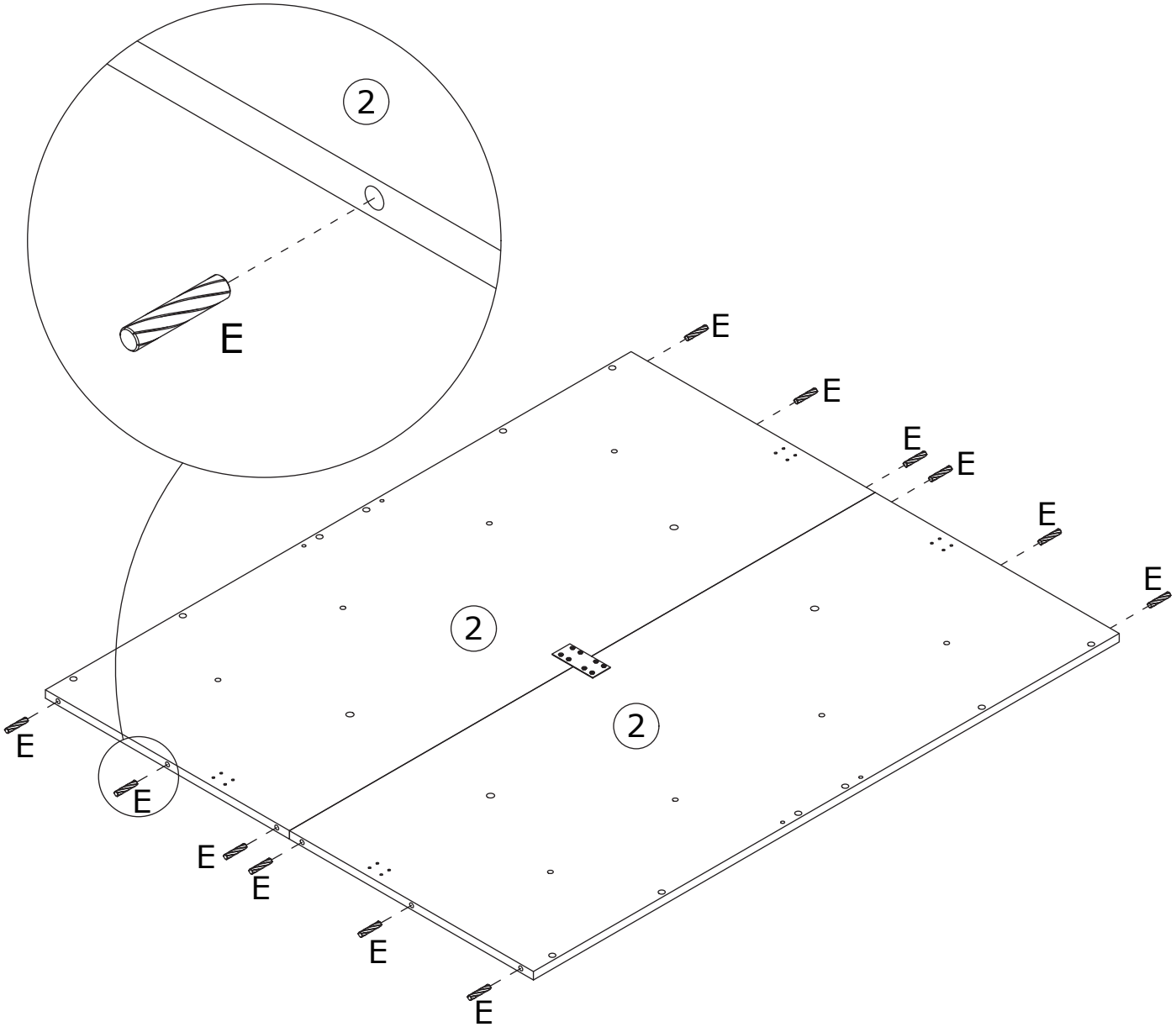
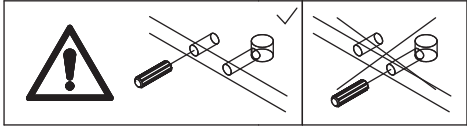


Secure part (G) to panel 2 using screws (J) as shown.



26

E x 12
CRF0840A

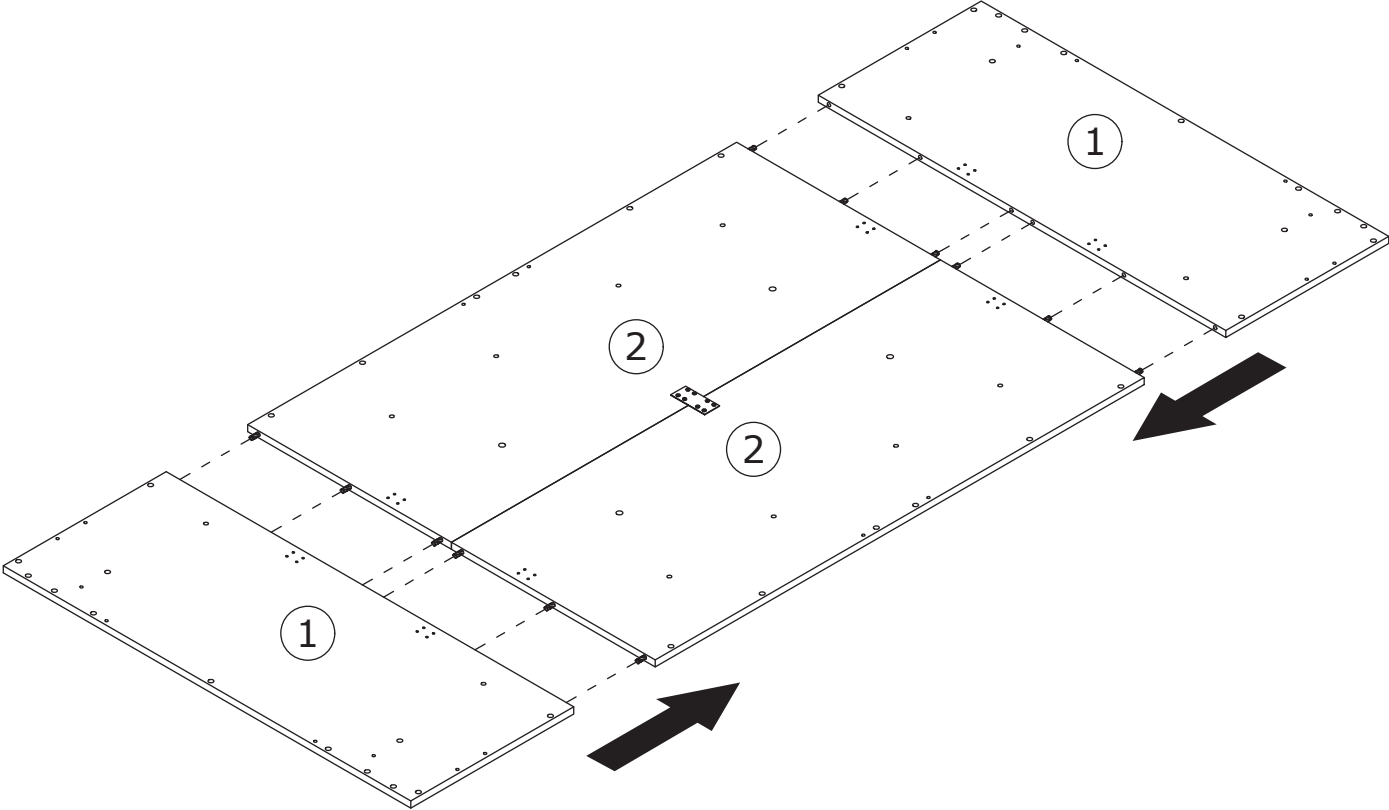


Install dowels (E) into panel 2 as shown.

27



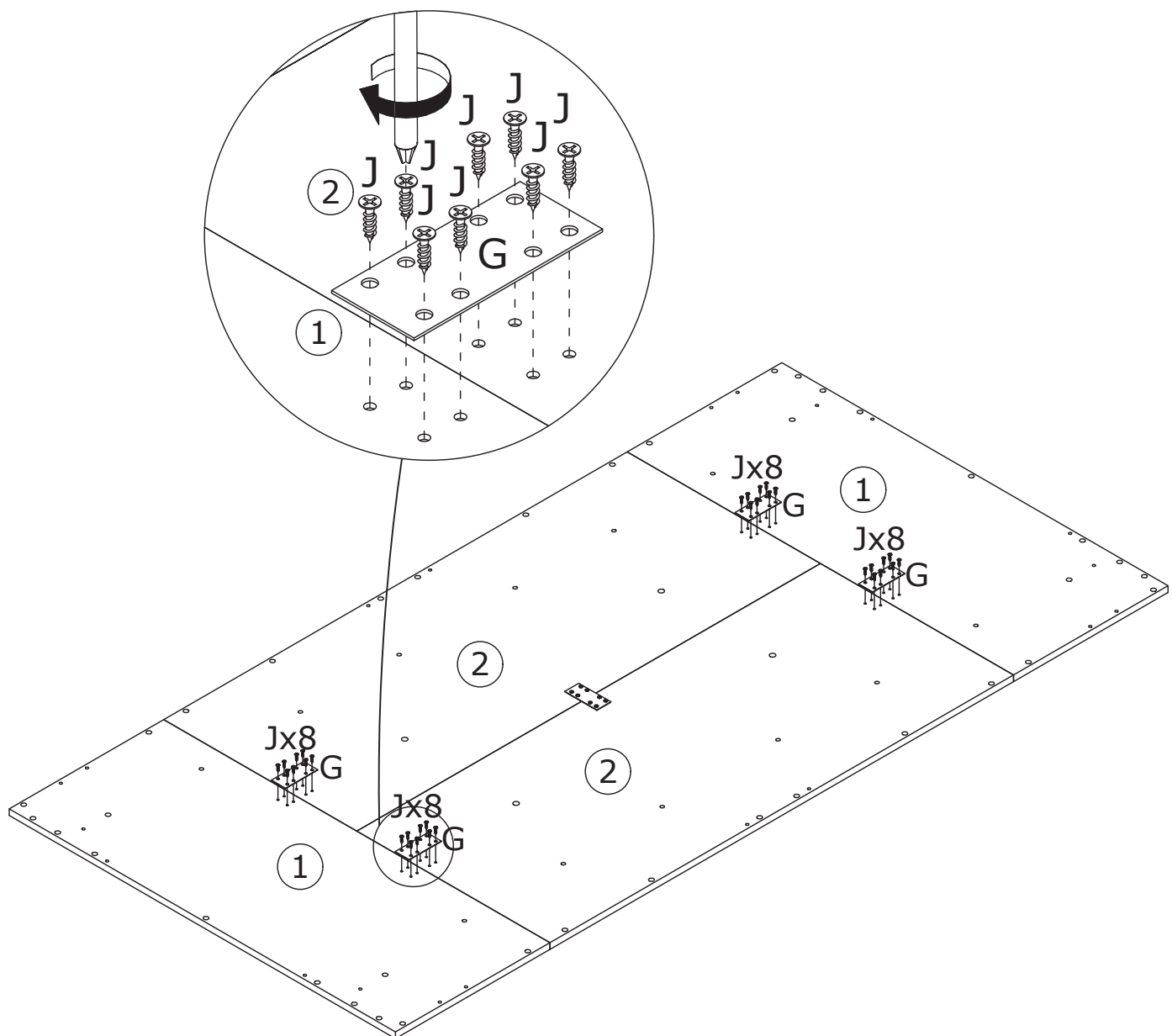
Connect panel 1 to panel 2 as shown.



28

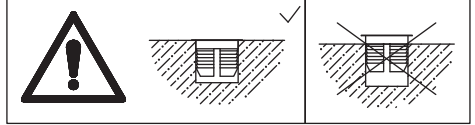
<p>G x 4</p> 	<p>J x 32</p>  <p>CRD3514A</p>	
--	---	---

Use screws (J) to secure parts (G) to panel 1 and 2 as shown.

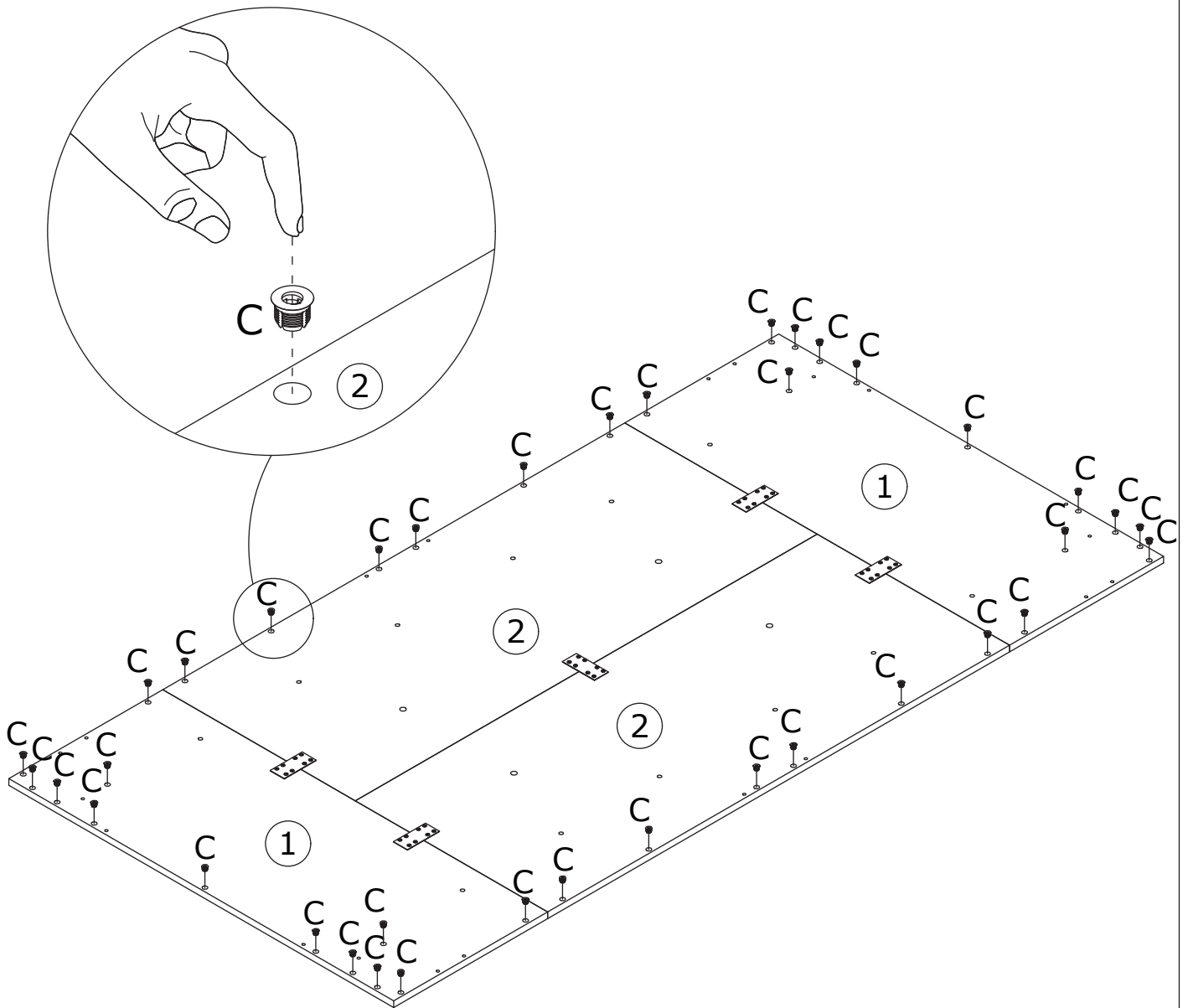


29

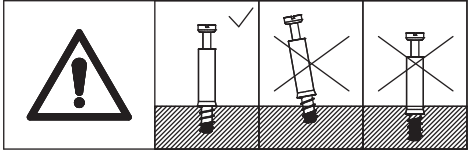
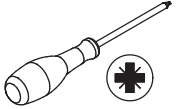
C x 38



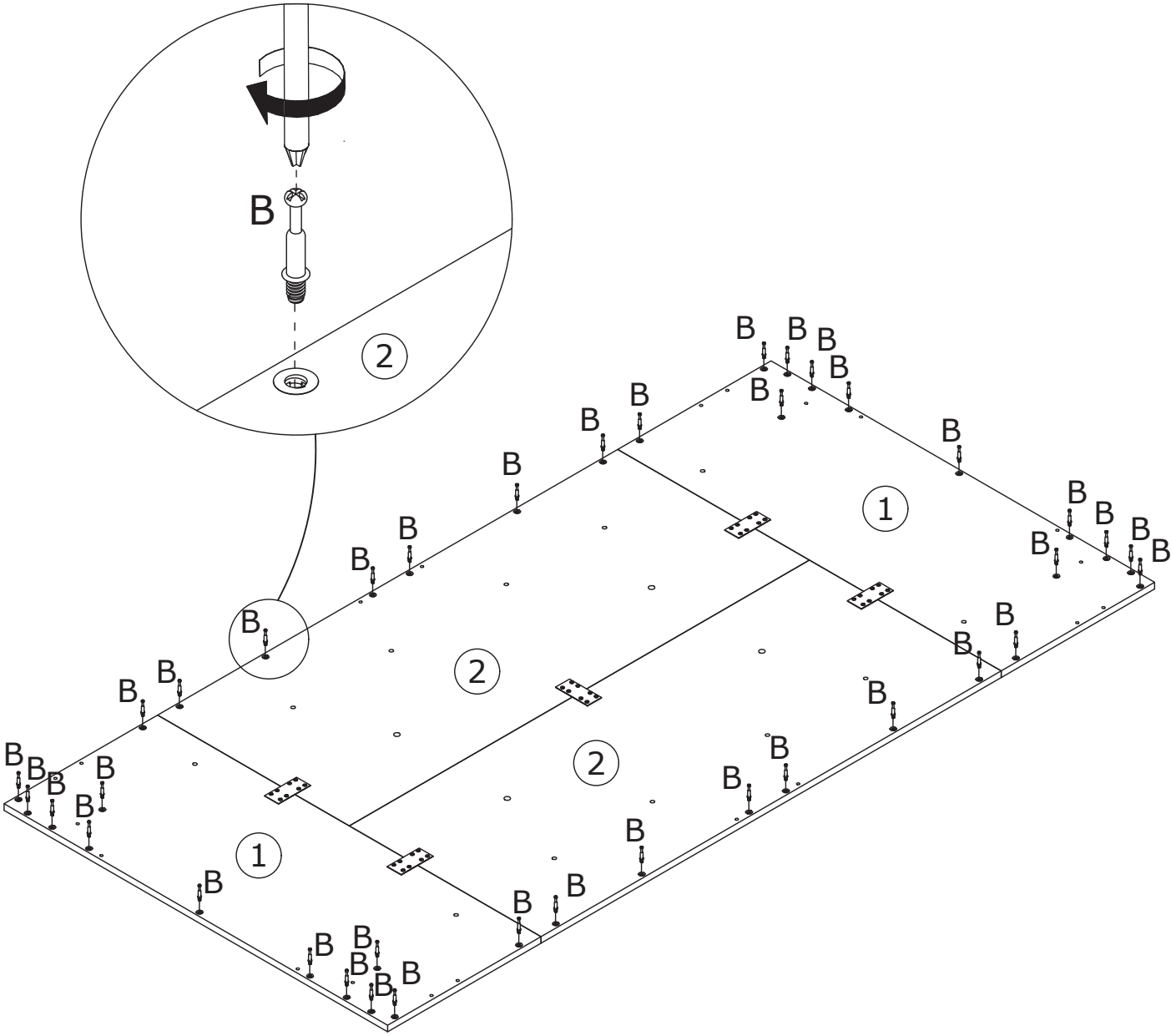
Install part (C) to panel 1 and panel 2 as shown.



30

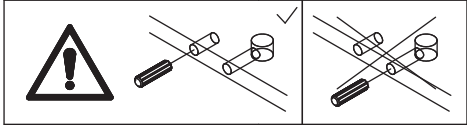


Screw self-tapping rod (B) into part (C) as shown.

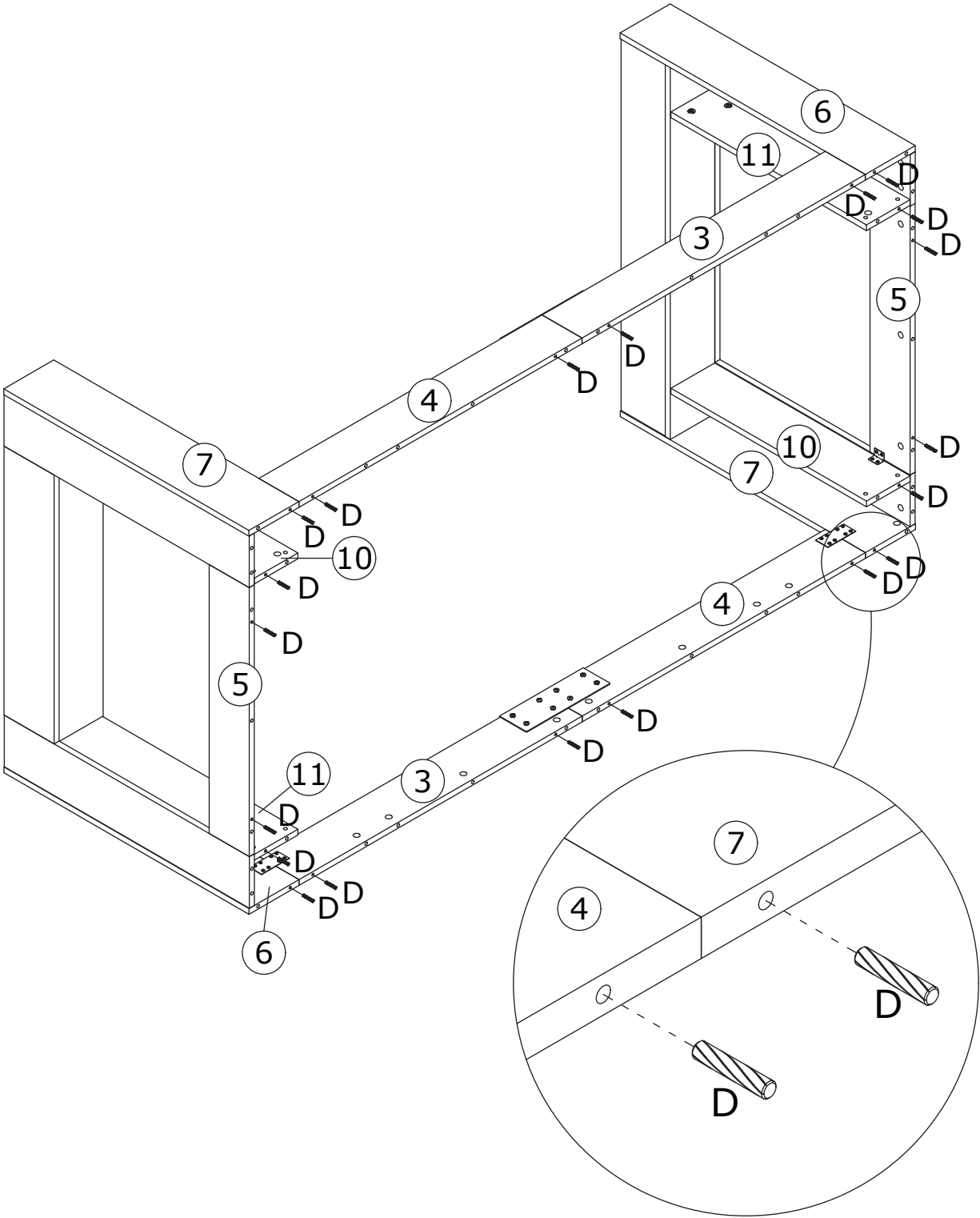


31

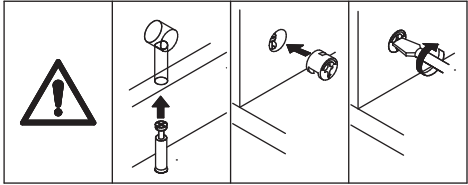
D x 20
CRF0630A



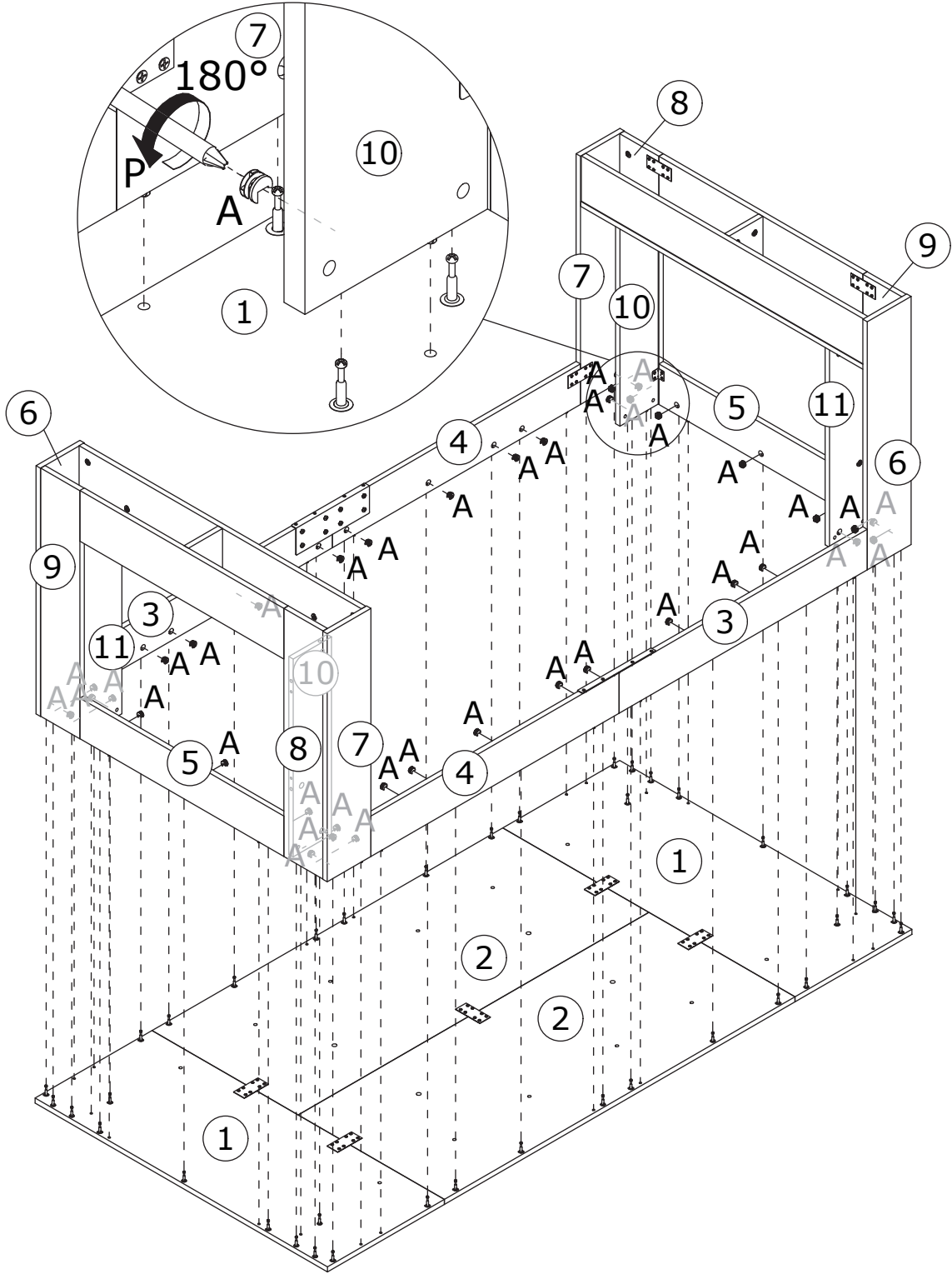
Install the dowel (D) into the mounting unit as shown.



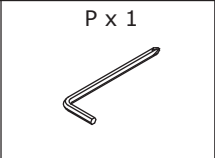
32



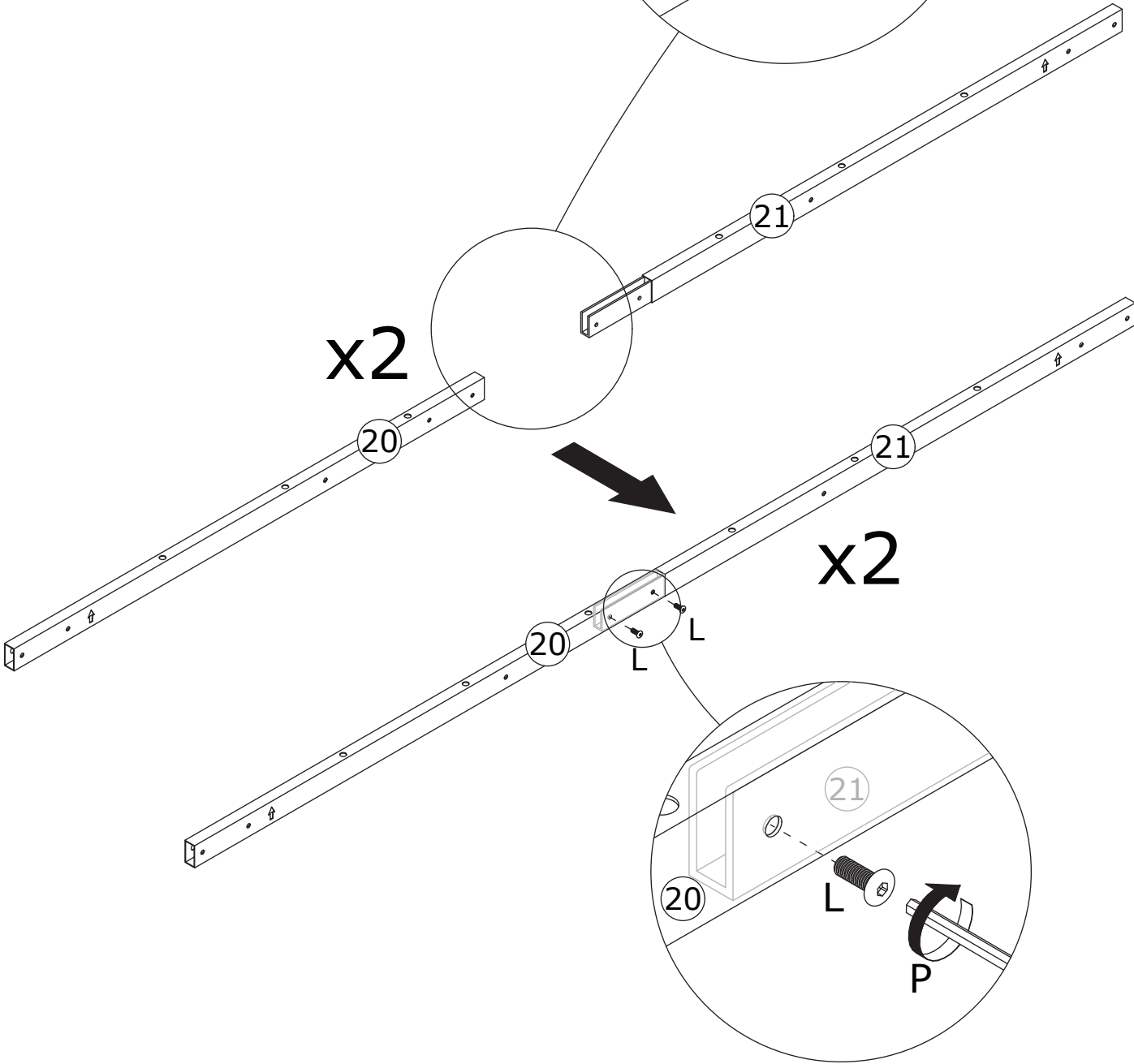
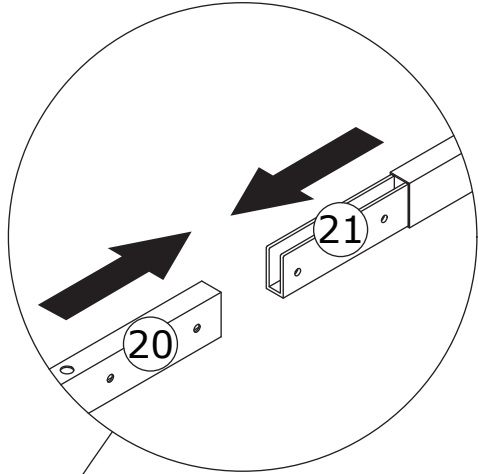
Attach the mounting unit to panel 1 and 2 as shown and add the eccentric wheel (A) and tighten it by turning it clockwise.



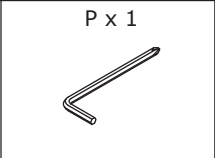
33



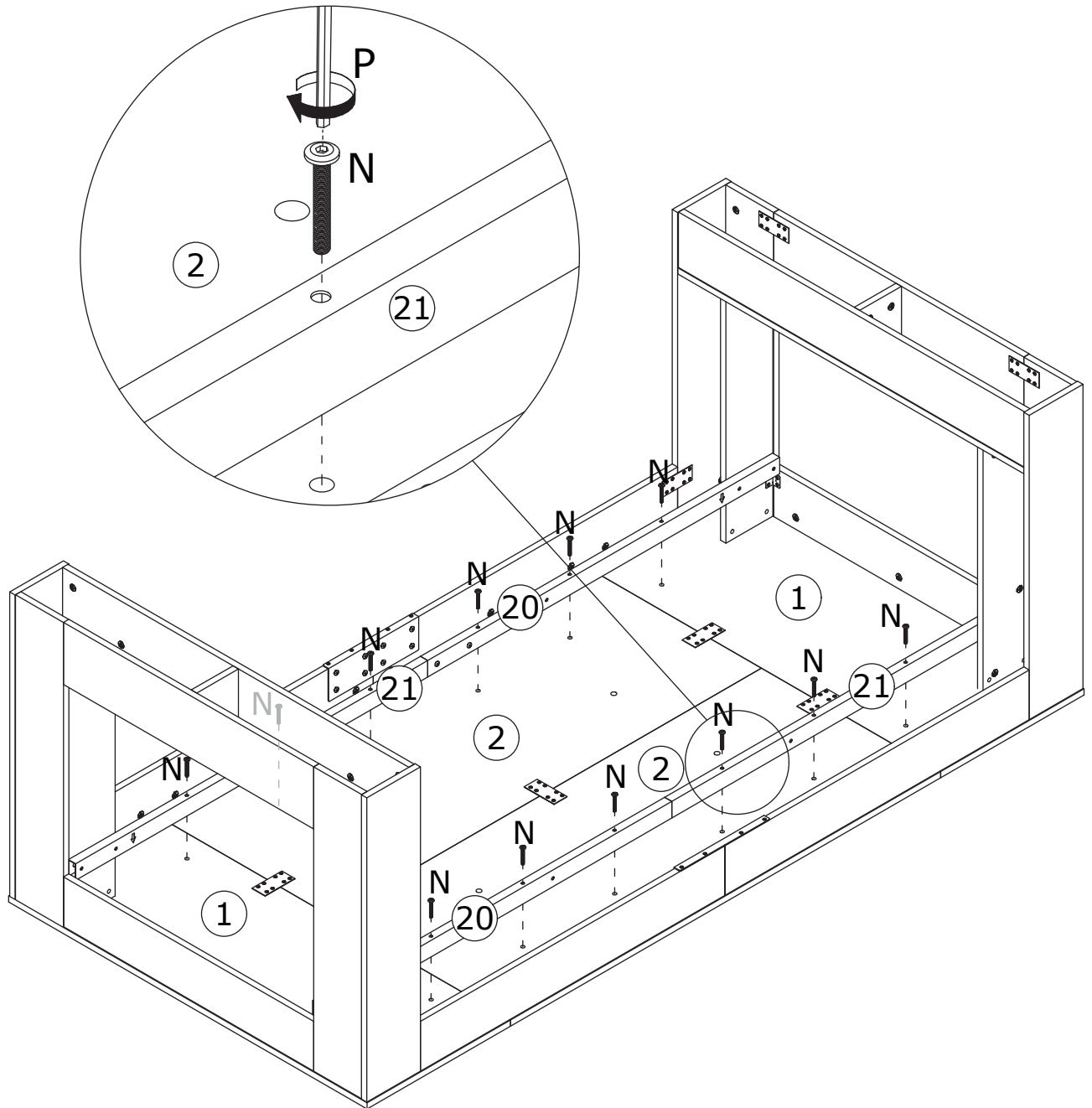
Secure part 20 to part 21 using screws (L) as shown.



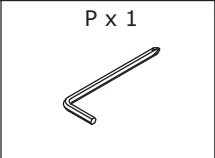
34



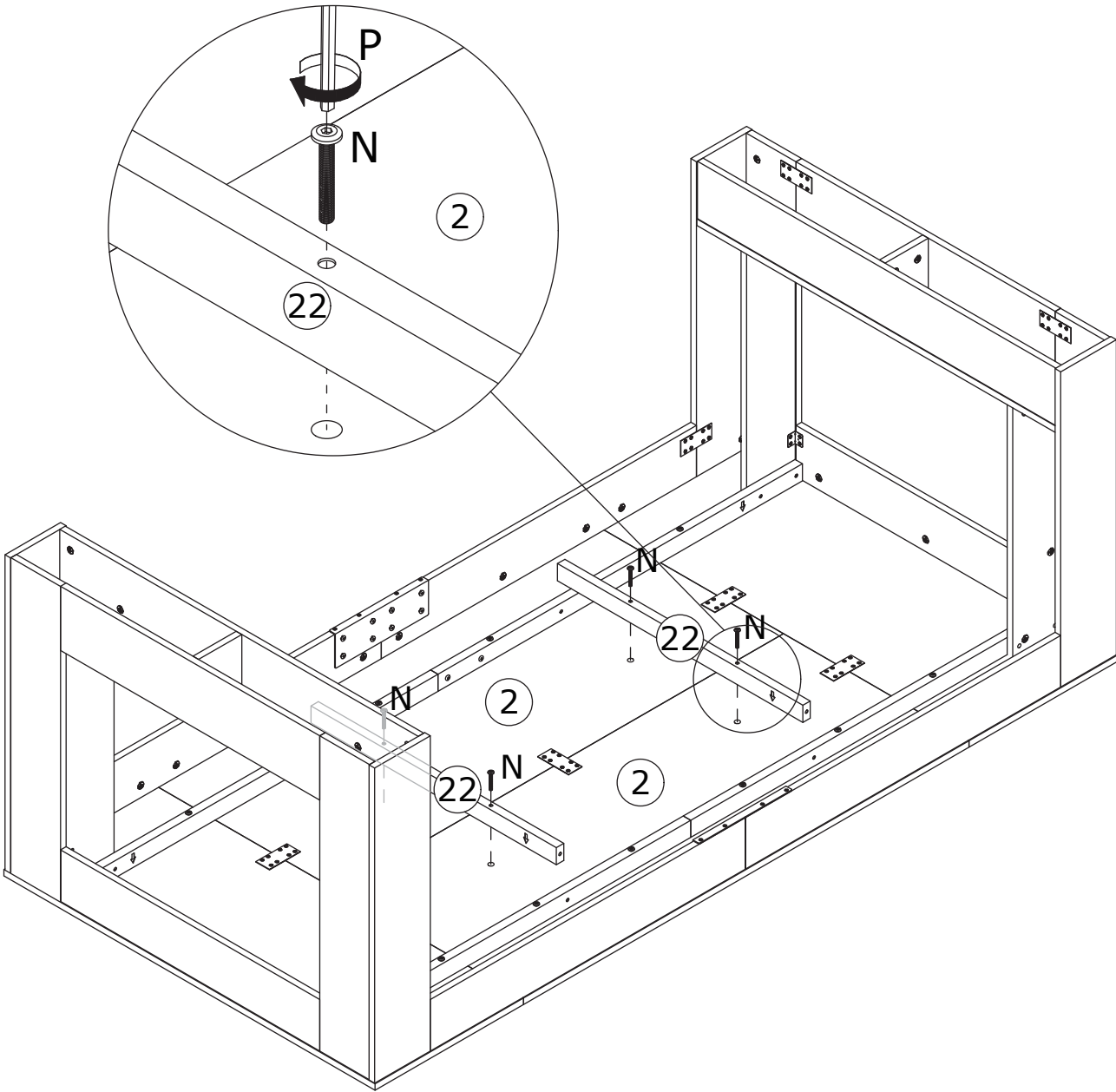
Attach parts (20) and parts (21) to panel 1 and panel 2 using screws (N) as shown.



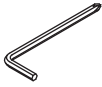
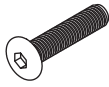
35



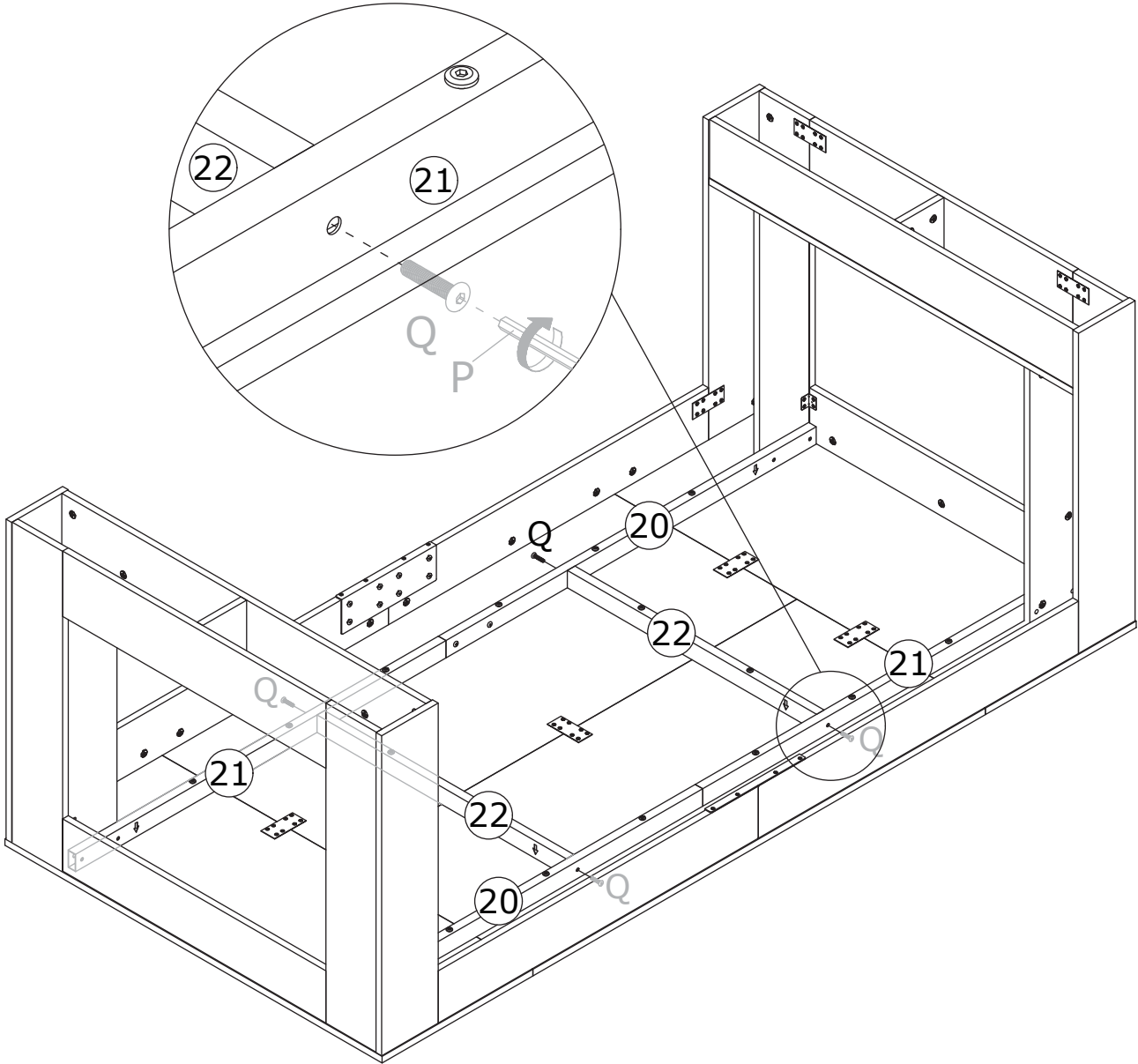
Secure part 22 to panel 2 using screws (N) as shown.



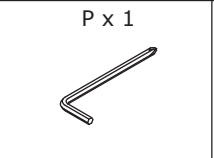
36

<p>P x 1</p> 	<p>Q x 4</p>  <p>CRG0630A</p>	
--	--	--

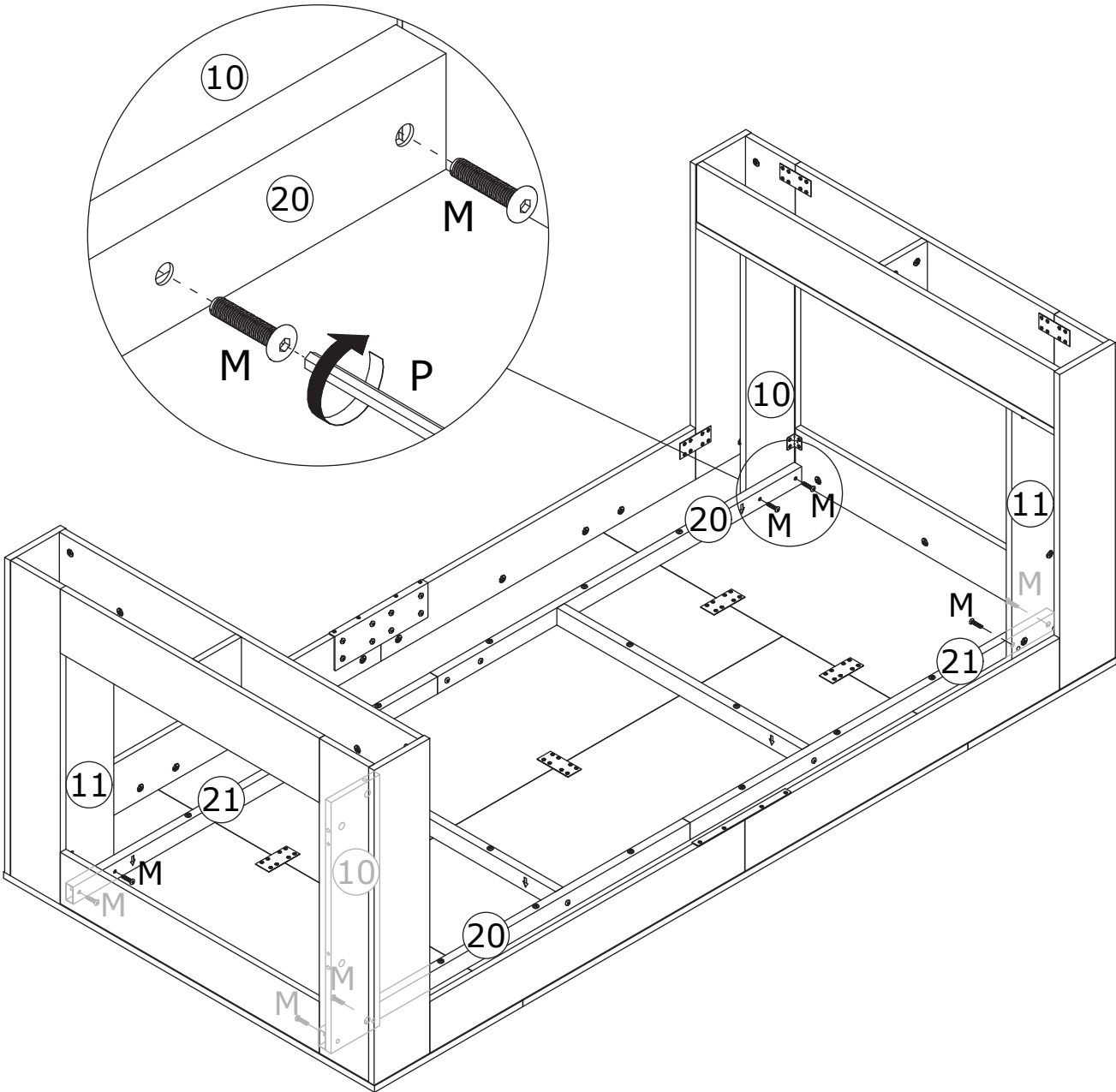
Attach part 20 and 21 to part 22 using screws (Q) as shown.



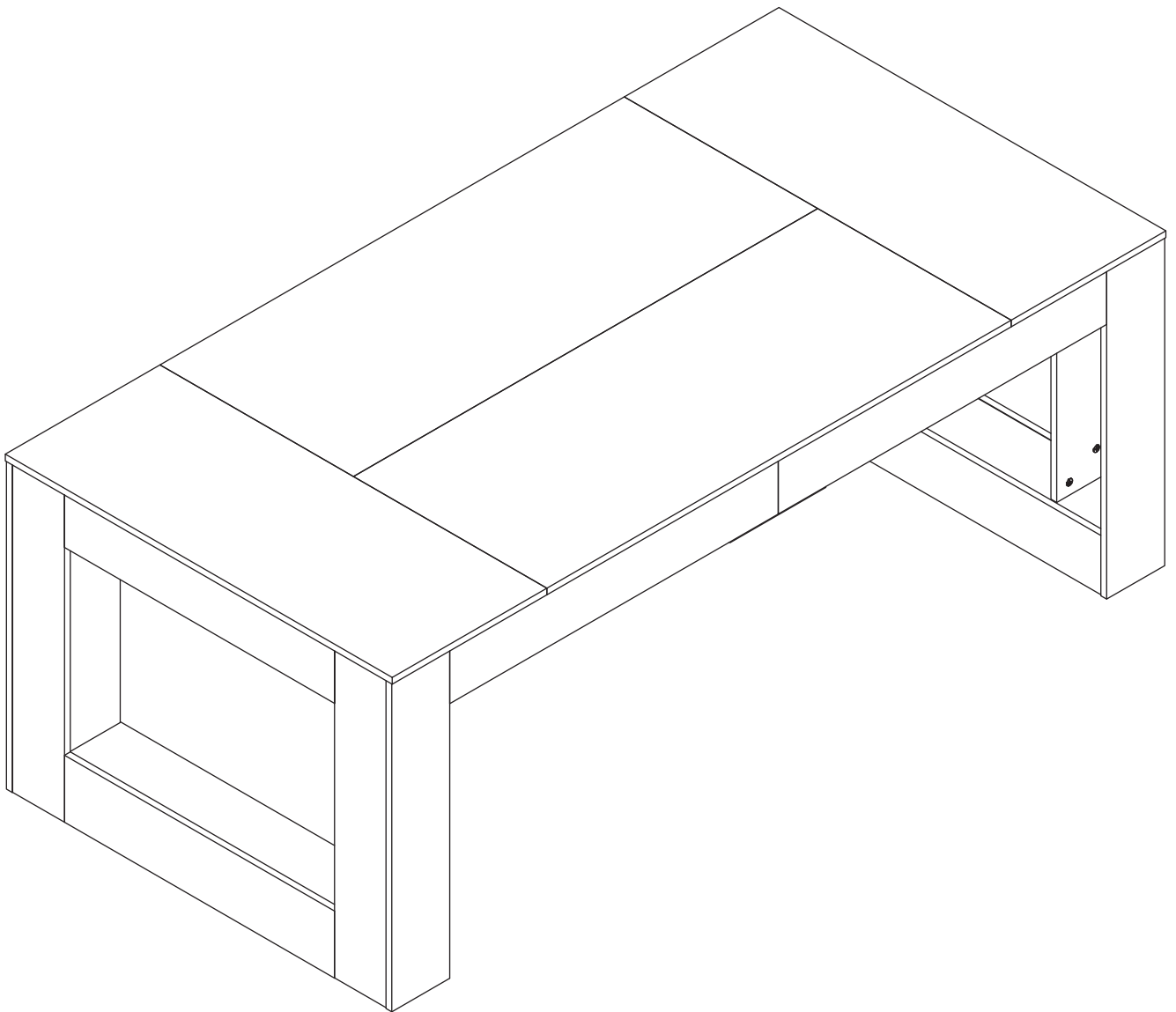
37



Use screws (M) to secure part 20 and 21 to panel 10 and 11 as shown.



38



WARRANTY

WARRANTY CLAIMS

- There is a 30-day warranty for broken furniture or any other problems that do not work properly. The warranty will start from the date of purchase which must be verified by proof of purchase.
- Before making a claim, we may be able to answer your query, simply call us. Please leave your purchase order number, along with some details of the problem, if you want a replacement part. We will arrange within 48 hours. If there is out of stock, we will reply with a shipping date.
- The product must be used in accordance with the instructions provided. For health reasons.
- For other reasons, if the furniture needs to be returned, it must be cleaned and dried and operated within 30 days of receipt.

Type of Warranty Claim

- Failure to follow the furniture instructions will invalidate the warranty. Attention please.
- Does not include damage during installation, but includes damage during transportation.

Scope of responsibility

- Shall not bear any responsibility for misuse or user damage and / or loss of parts during the installation of furniture.
- After using, the damage and scratches of the furniture are not covered by the warranty.

The Warranty Relates to All Bought in The Us and Covers The Following Areas

- Sheet parts: 1 month from the date of purchase.
- Electrical parts: 1 month from the date of purchase.

RETURNS

CHANGED YOUR MIND AND NEED TO RETURN YOU ITEM?

PLEASE FOLLOW THE BELOW INSTRUCTIONS:

- If you have purchased and have simply changed your mind, follow the retailer's instructions for returns.

DEFECTIVE ITEMS

- If your item is defective in any way, i.e. it doesn't work but you can't identify why, in the first instance, please call us.

DAMAGED ITEMS

- If you receive an order with obvious shipping damage from the retailer, then we suggest the delivery is refused. If the delivery has been accepted and then shipping damage is found, please follow the specific instructions advised by the retailer.
In all circumstances please save all packaging material and paperwork for the order. Please be aware that if you dispose of packaging material or attempt to return the merchandise without contacting the fulfiller, you jeopardise your chances of making a claim, and you may not receive a credit for the return.