

**DINING CHAIR WITH
CUSHION SEAT**

ASSEMBLY INSTRUCTIONS



ASSEMBLY INSTRUCTIONS

ASSEMBLY TIPS :

1. Remove hardware from box and sort by size.
2. Please check to see that all hardware and parts are present prior to start of assembly.
3. Please follow attached instruction in the same sequence as numbered to assure fast & easy assembly.



Warning !

1. Don't attempt to repair or modify parts that are broken or defective. Please contact the store immediately.
2. This product is for home use only and not intended for commercial establishment.

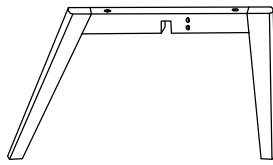


ASSEMBLY TIME

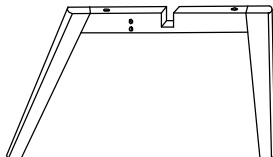
15 MINUTES

PARTS IDENTIFICATION:

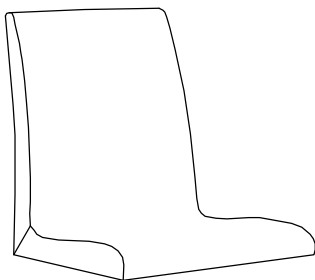
AN UPPER LEG FRAME 1PC



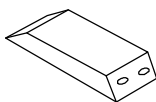
BN LOWER LEG FRAME 1PC



CN SEAT AND BACK 1PC



DN CORNER BLOCK 2PCS



HARDWARE IDENTIFICATION:

1  ALLEN WRENCH 1PC

2  BOLT 4PCS

3  LOCK WASHER 4PCS

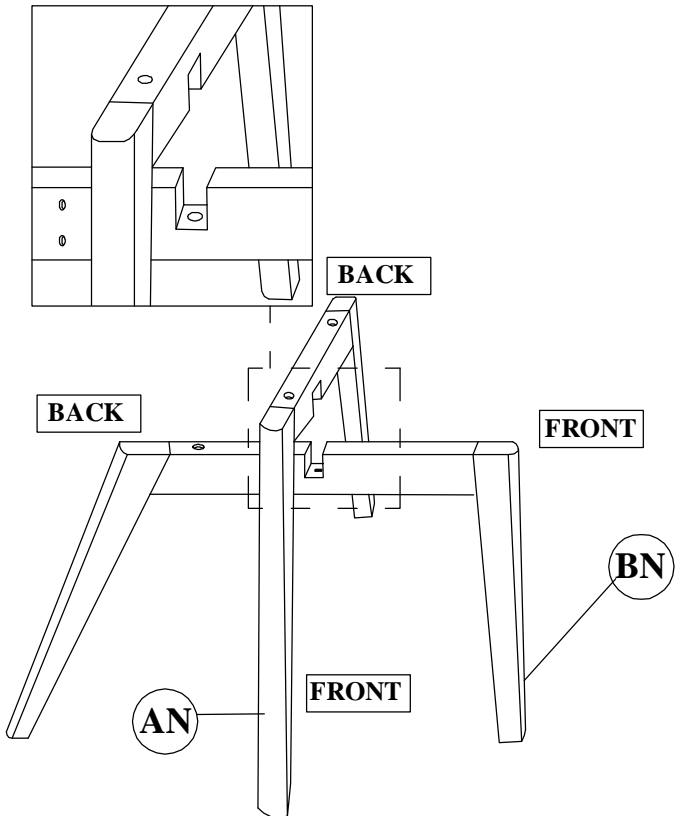
4  FLAT WASHER 4PCS

5  PAN HEAD SCREW 8PCS

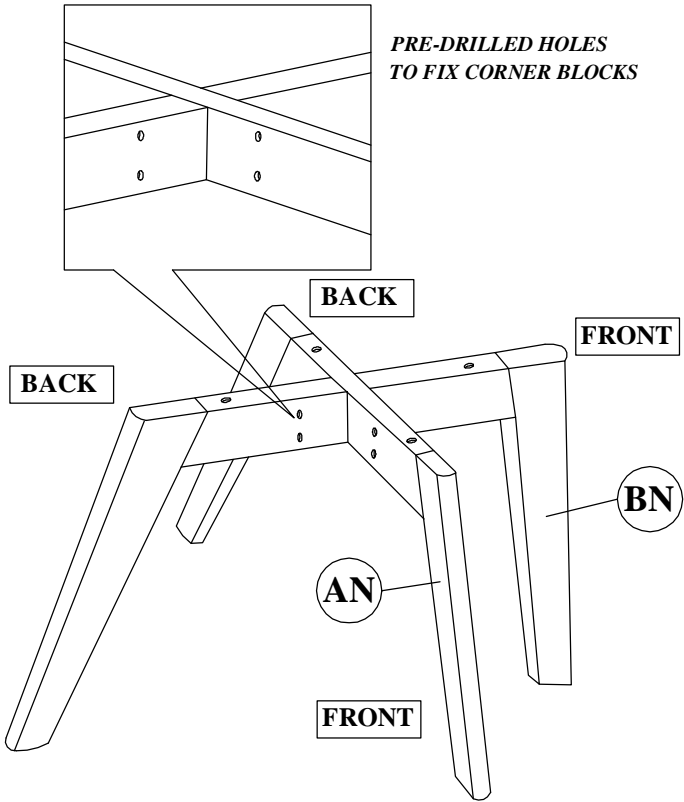
6  ALLEN HEAD SCREW 1PC

**NOTE : QUANTITIES SHOWN ARE FOR ONE CHAIR.
NOTE : PHILLIPS HEAD SCREW DRIVER IS
REQUIRED IN THE ASSEMBLY PROCESS ;
HOWEVER,MANUFACTURER DOES NOT
PROVIDE THIS ITEM.**

STEP 1

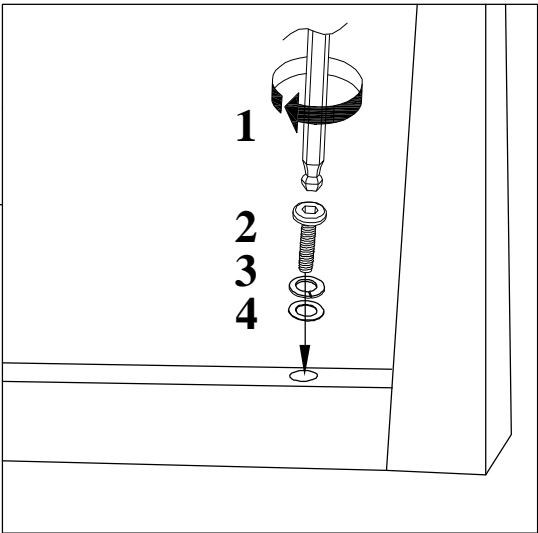
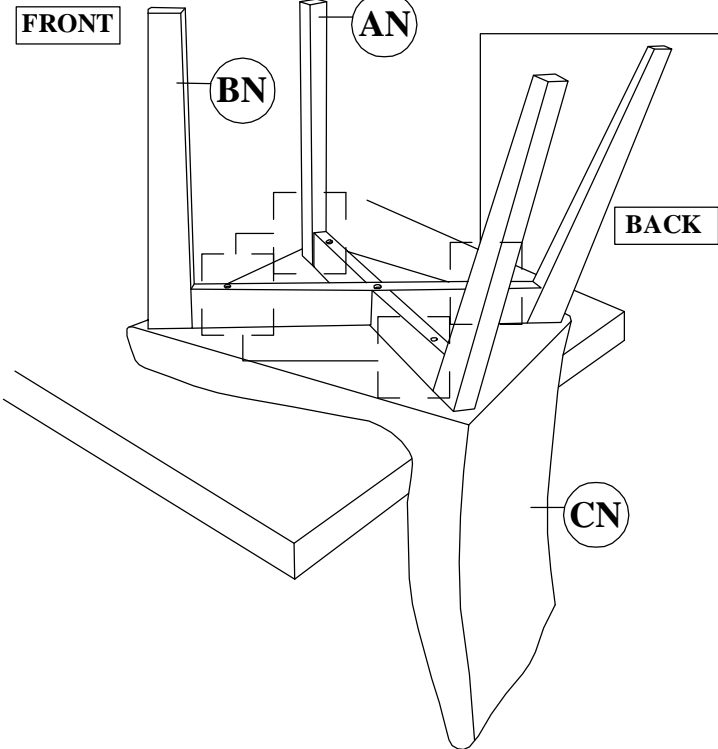


STEP 2

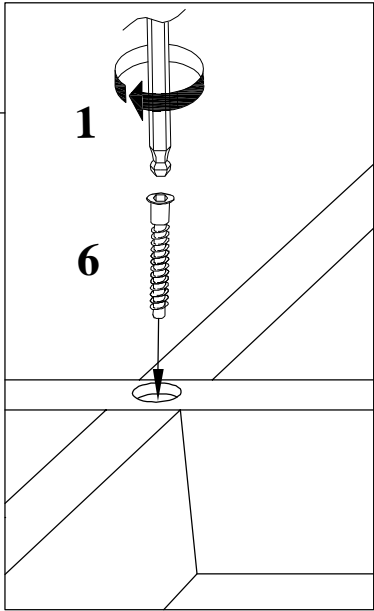
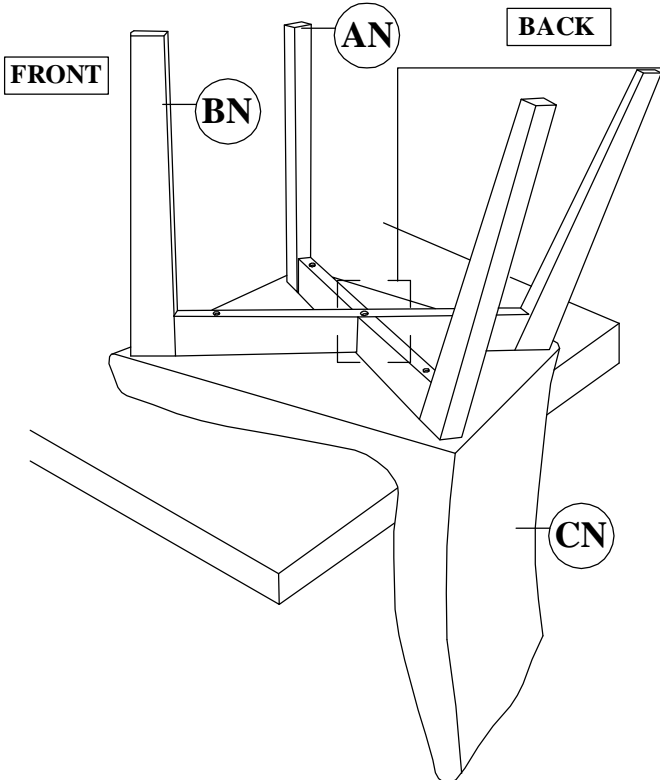


ASSEMBLY INSTRUCTIONS

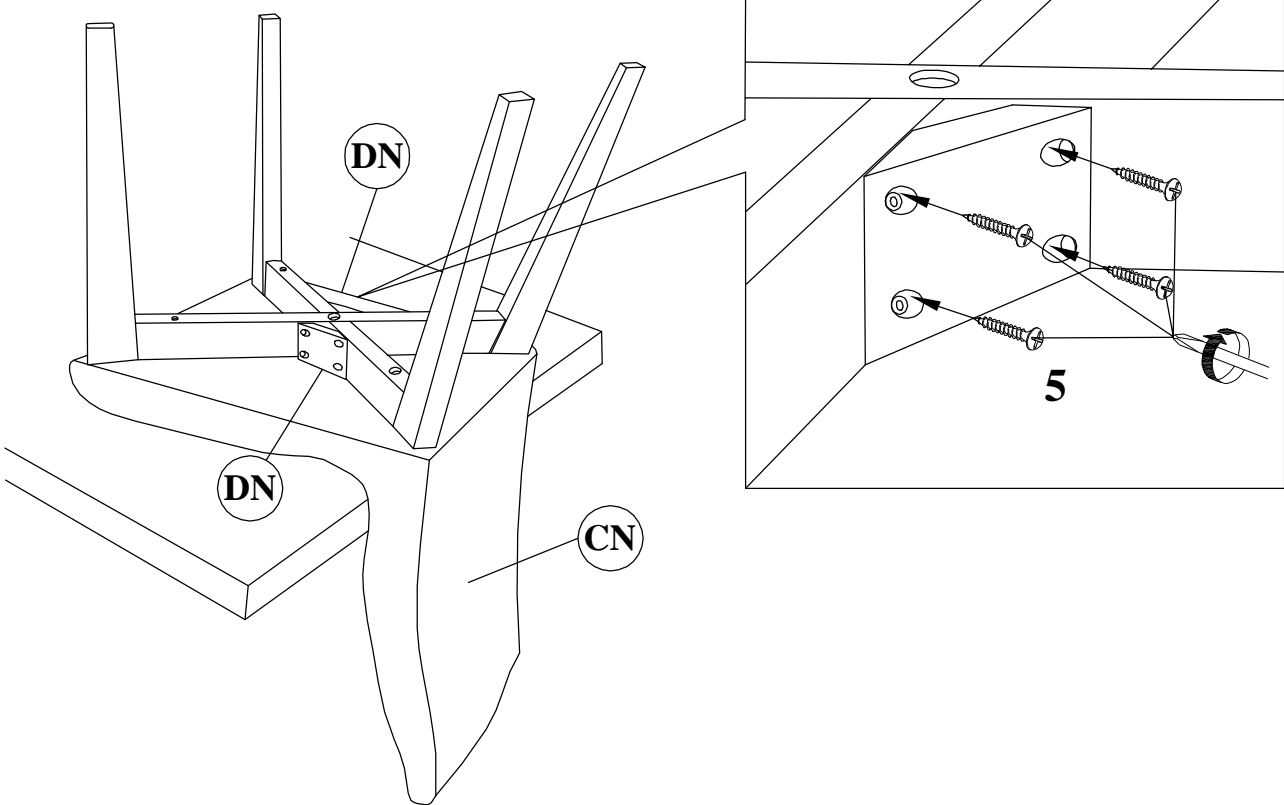
STEP 3



STEP 4



STEP 5



STEP 6

