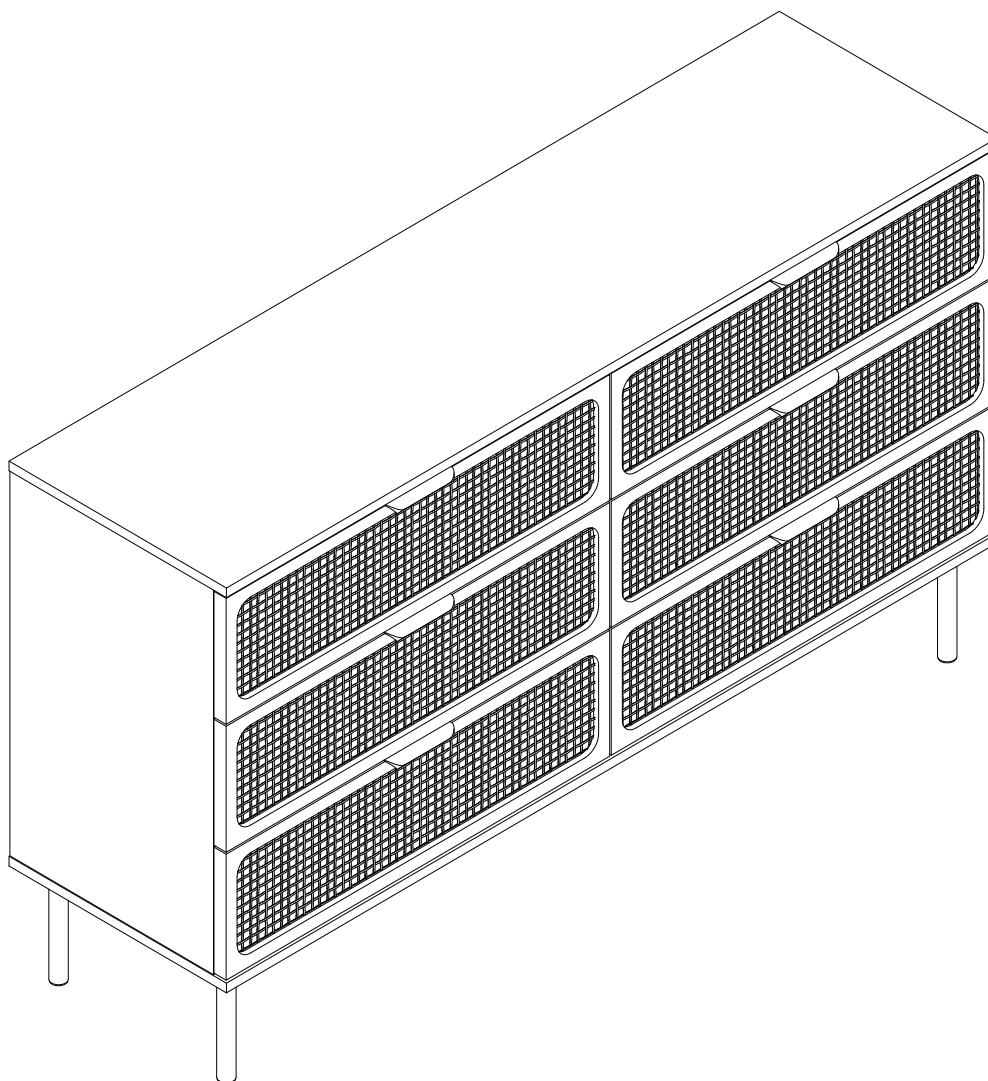


# 6 Drawers Dresser Chest

Assembly Instructions - Please keep for future reference



## Dimensions

Width - 55.1inch  
Depth - 15.4inch  
Height - 31.9inch

Important – Please read these instructions fully before starting assembly



# Safety and Care Advice

**Important** – Please read these instructions fully before starting assembly

- Check you have all the components and tools listed on the following pages.
- Remove all fittings from the plastic bags and separate them into their groups.
- Keep children and animals away from the work area, small parts could choke if swallowed.
- Make sure you have enough space to layout the parts before starting.

- During assembly do not stand or put weight on the product, this could cause damage.
- Assemble the item as close to its final position (in the same room) as possible.
- Assemble on a soft level surface to avoid damaging the unit or your floor.
- Parts of the assembly will be easier with 2 people.



- To reduce the likelihood of damaging your product please ensure that your power drill is set on a low torque setting.

## Care and maintenance

- Only clean using a damp cloth and mild detergent, do not use bleach or abrasive cleaners.
- From time to time check that there are no loose screws on this unit.
- This product should not be discarded with household waste. Take to your local authority waste disposal centre.

## Handy Hints

- Assemble all parts and bolts loosely during assembly, only once the product is complete should you fully tighten the bolts
- Regularly check and ensure that all bolts and fittings are tightened properly.

## WARNING

**In order to help prevent overturning – please follow these instructions**

To help prevent product toppling over please follow the below steps:-

Use the anti tip strap or wall fixing method provided (if applicable)

Do not allow children to climb or hang on the furniture

Do not open more than one drawer at a time

Do not place heavy items in the top drawers

Do not place heavy items on top of the furniture, unless the furniture has been designed for this purpose



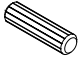


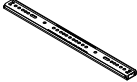
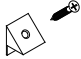







Please note that only the anti tip strap is provided.

You will need to provide wall plugs and screws applicable for your wall type

# Components - Fittings

Please check you have all the fittings listed below

**Note:** The quantities below are the correct amount to complete the assembly. In some cases more fittings may be supplied than are required.

<b>A</b>  7*43mm Cam Bolt x 39	<b>B</b>  Cam Lock x 39	<b>C</b>  8*30mm Wooden Dowel x 14
<b>D</b>  5*40mm Screw x 37	<b>E</b>  7*9mm Screw x 36	<b>F</b>  Drawer Slide x 12
<b>G</b>  3*16mm Back Panel Stiffener x 12	<b>H</b>  4*16mm Screw x 20	<b>I</b>  Metal Plate x 5
<b>J</b>  Handle & Fixings x 6	<b>K</b>  4*12mm Screw x 12	<b>L</b>  Wall Fixing Pack x 2
<b>M</b>  Adjustable Foot x 5	<b>N</b>  8*50mm Wooden Dowel x 1	

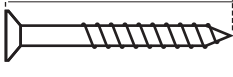
## Tools required



Phillips screwdriver  
(medium & large)

## Ruler - Use this ruler to help correctly identify the screws

0 5 10 15 20 25 30 35 40 45 50 55 60 65 70 75 80 85 90 95 100 105 110 115 120 125 130 135 140 145 150 155 160 165 170



The screws length is measured from the head to the point (30mm screw shown).

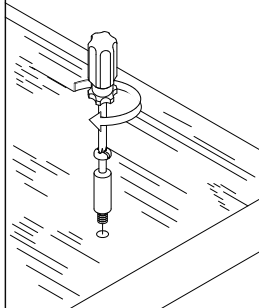
# Using Camlocks

## Step 1

Connect the male camlock as directed in the assembly instructions using a screwdriver.

1

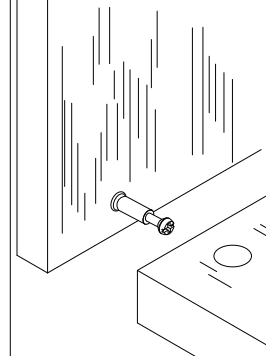
DO NOT OVER TIGHTEN.  
NE PAS SERRER EXCESSIVEMENT.



## Step 2

Push the male camlock into the entry hole.

2

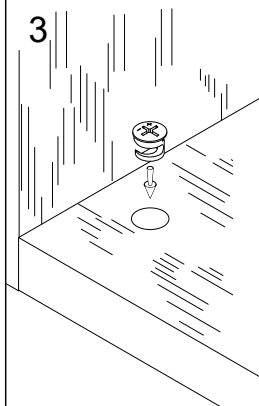


## Step 3

Insert the female camlock as shown in the instructions.

Note: ensure that the arrow on the top of the camlock points towards the entry hole for the male camlock.

3



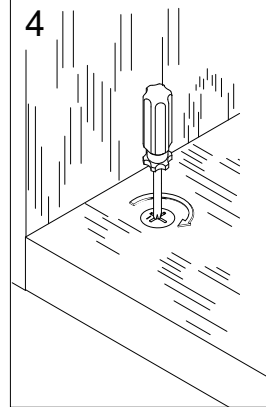
## Step 4

Turn the female camlock clockwise with a screwdriver.

You should feel a click when the camlock is locked in place.

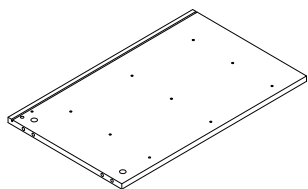
The joint is now secure.

4

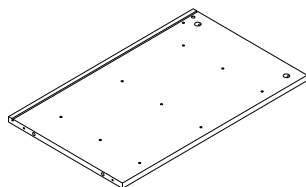


# Components - Panels

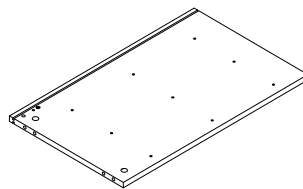
Please check you have all the panels listed below



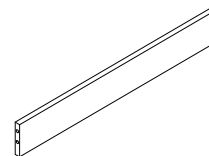
1 (60 x 36.5 x 1.5cm) x 1



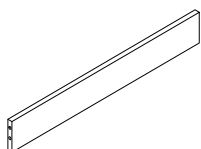
2 (60 x 36.5 x 1.5cm) x 1



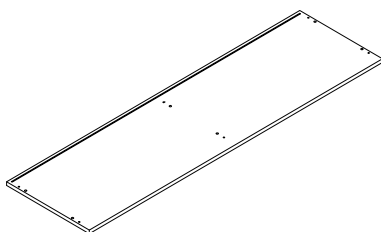
3 (60 x 36.5 x 1.5cm) x 1



4 (67.6 x 9.5 x 1.5cm) x 1



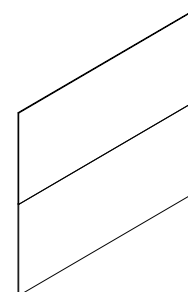
5 (67.6 x 9.5 x 1.5cm) x 1



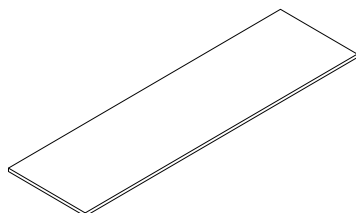
6 (140 x 39 x 0.25cm) x 1



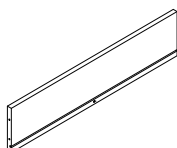
7 (16.5 x 2.5cm) x 5



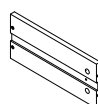
8 (68.6 x 61 x 0.25cm) x 2



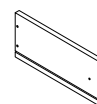
9 (140 x 39 x 1.5cm) x 1



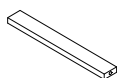
10 (63.6 x 14.5 x 1.5cm) x 6



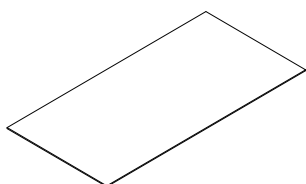
11 (33 x 14.5 x 1.5cm) x 6



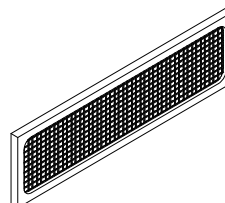
12 (33 x 14.5 x 1.5cm) x 6



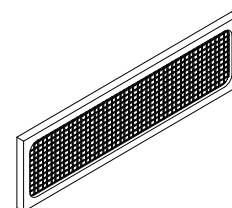
13 (31.4 x 4 x 1.5cm) x 6



14 (64.6 x 32.4 x 0.25cm) x 6

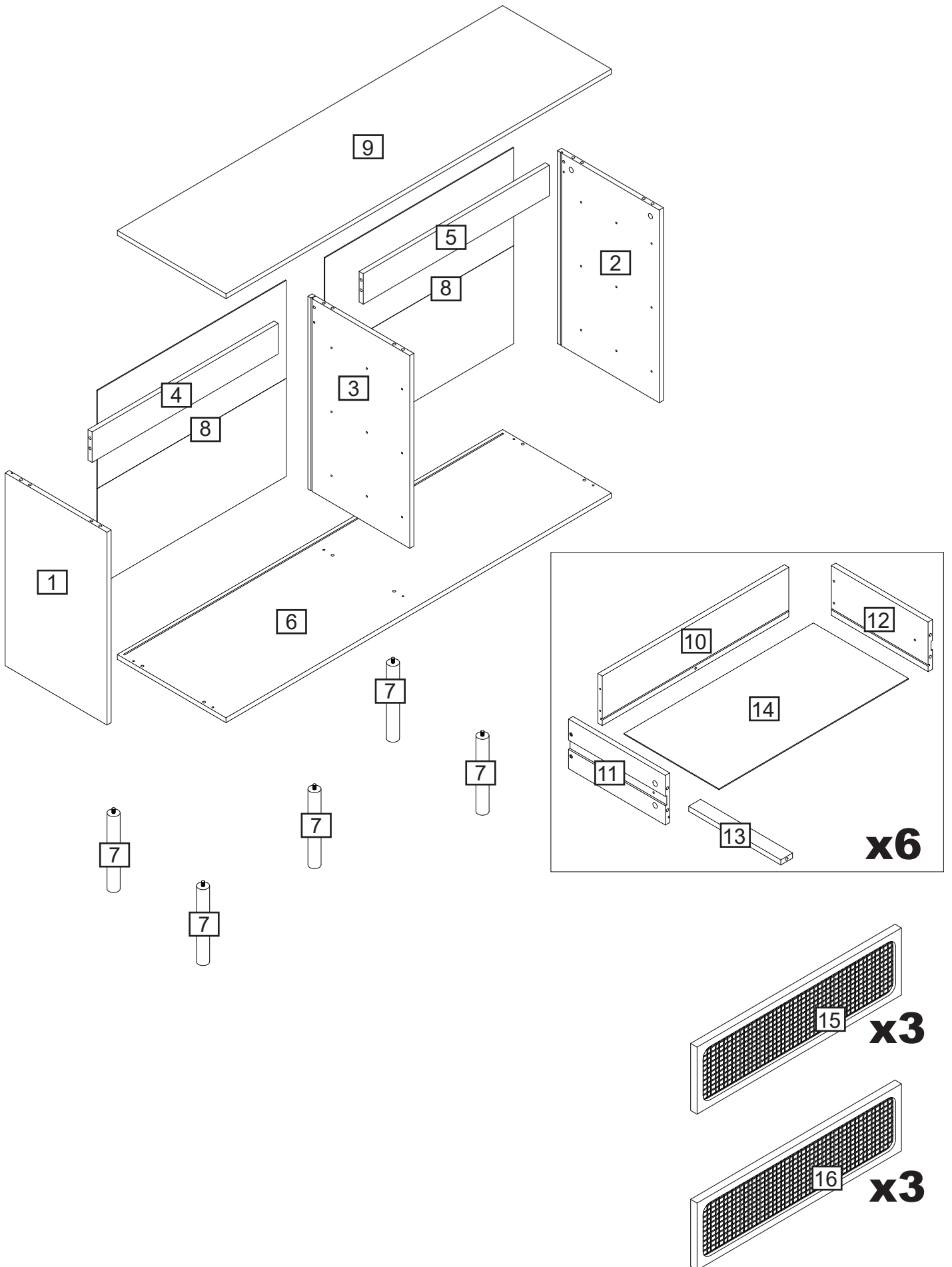


15 (69.6 x 19.5 x 2.2cm) x 3



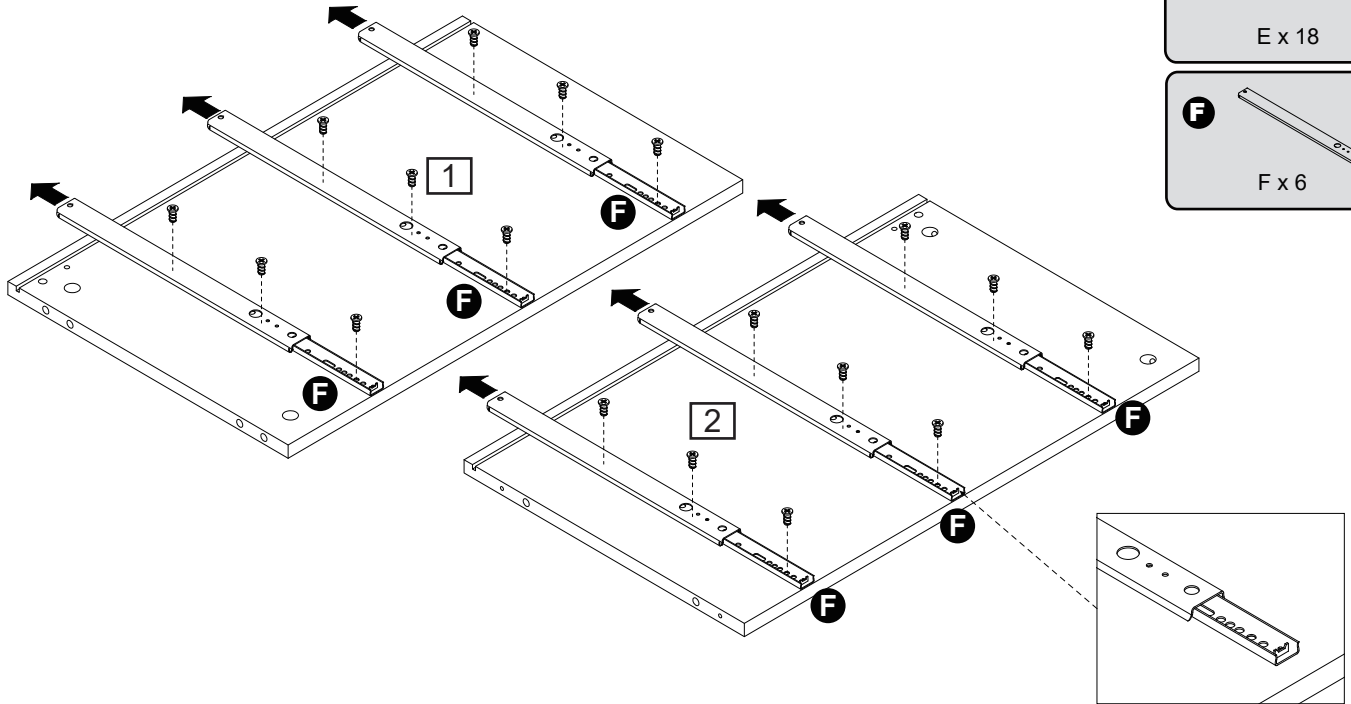
16 (69.6 x 19.5 x 2.2cm) x 3

# Assembly Instructions

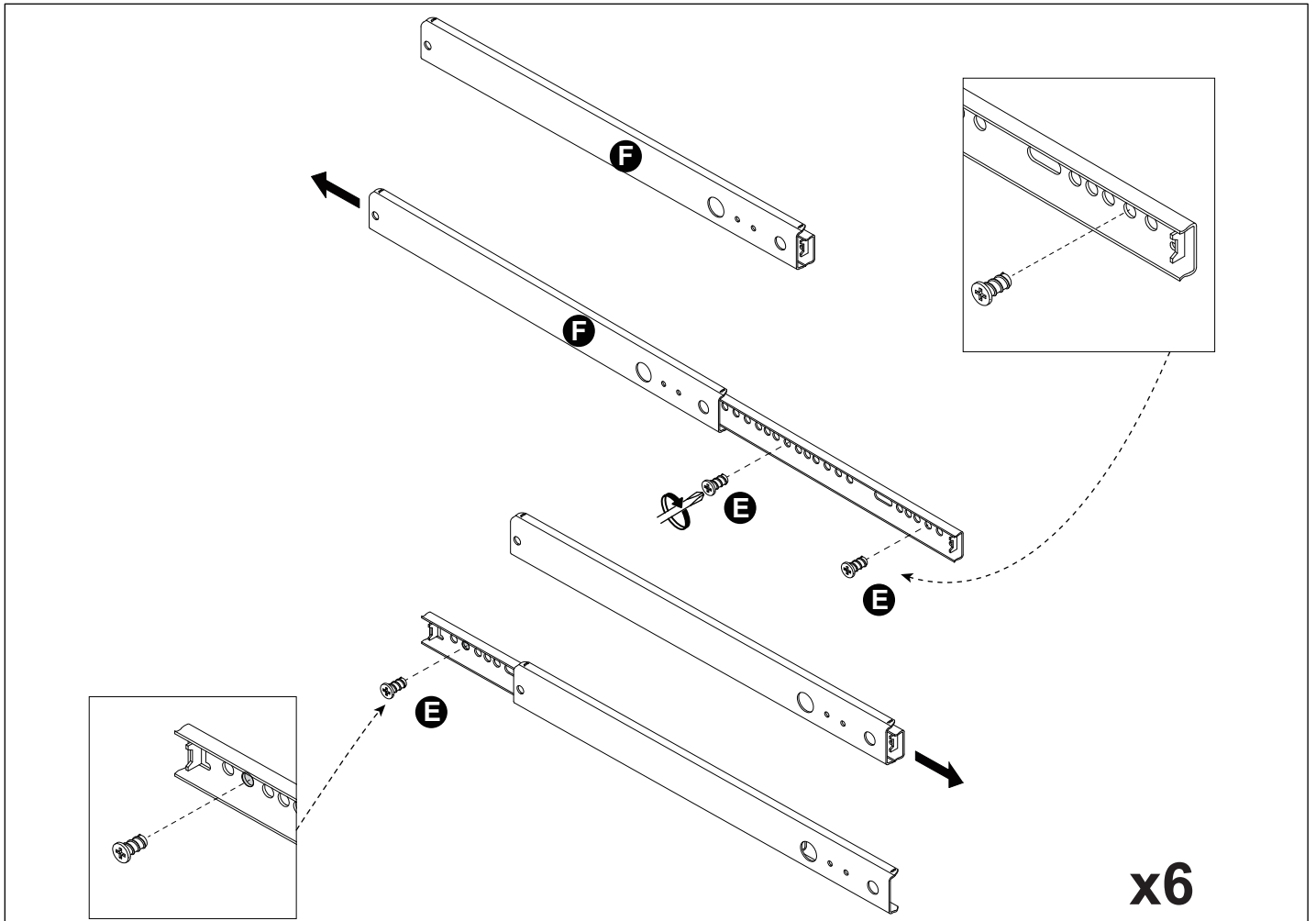


# Assembly Instructions

## Step 1



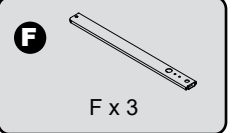
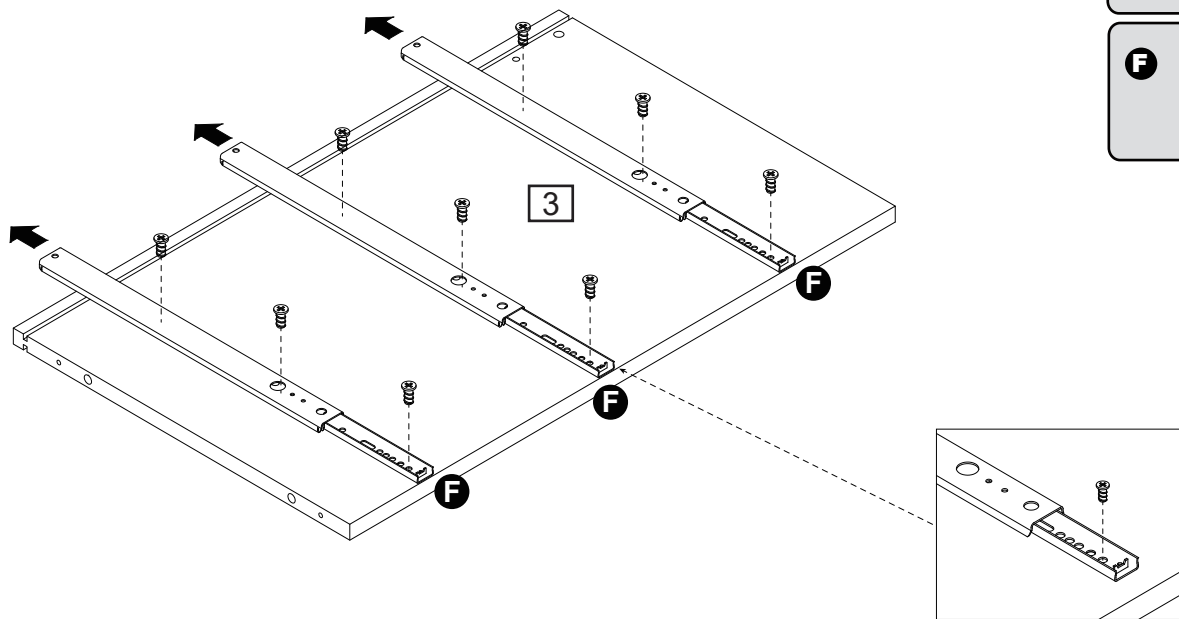
Note: Please pay attention to the direction of the arrows on the drawer slides.



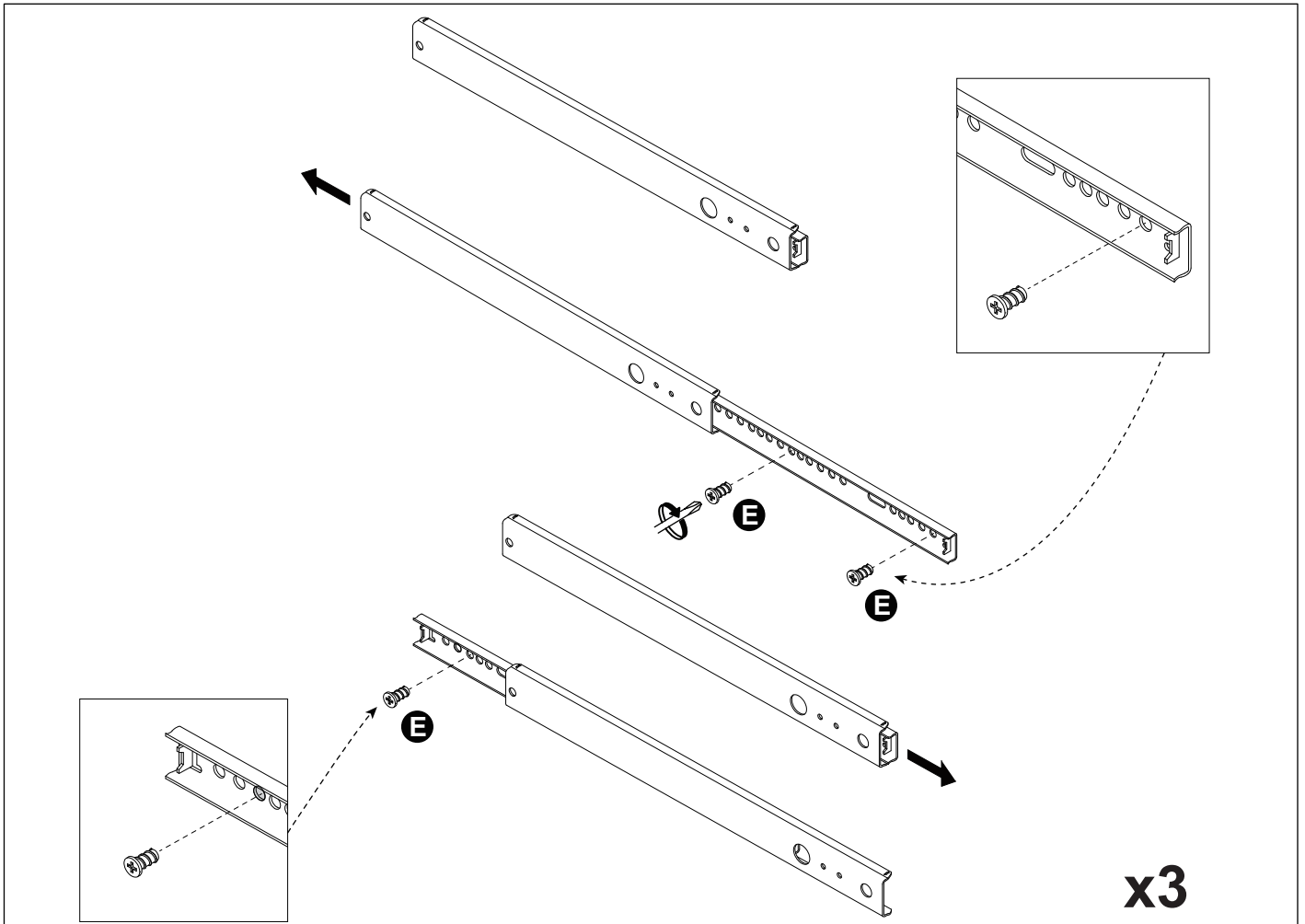
Attach drawer slide (F) to part (1, 2) using screw (E) with a screwdriver.

# Assembly Instructions

## Step 2



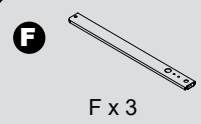
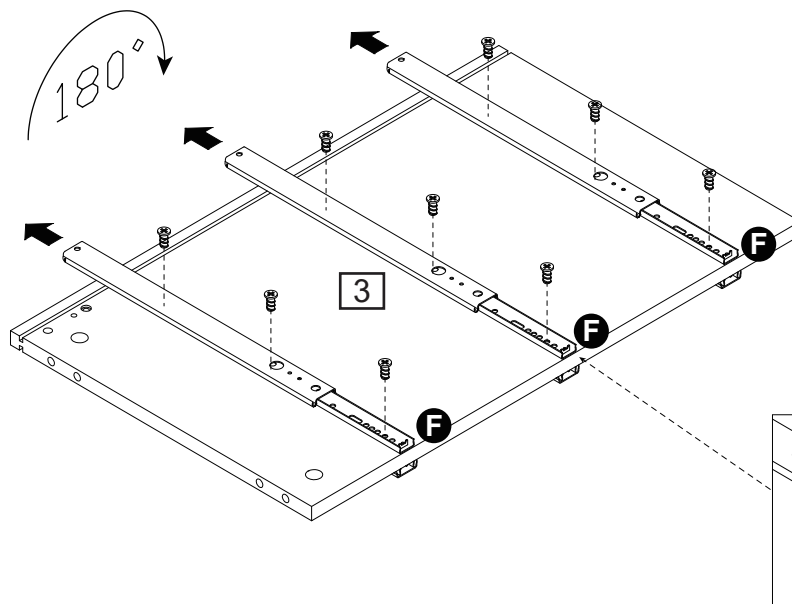
**Note:** Please pay attention to the direction of the arrows on the drawer slides.



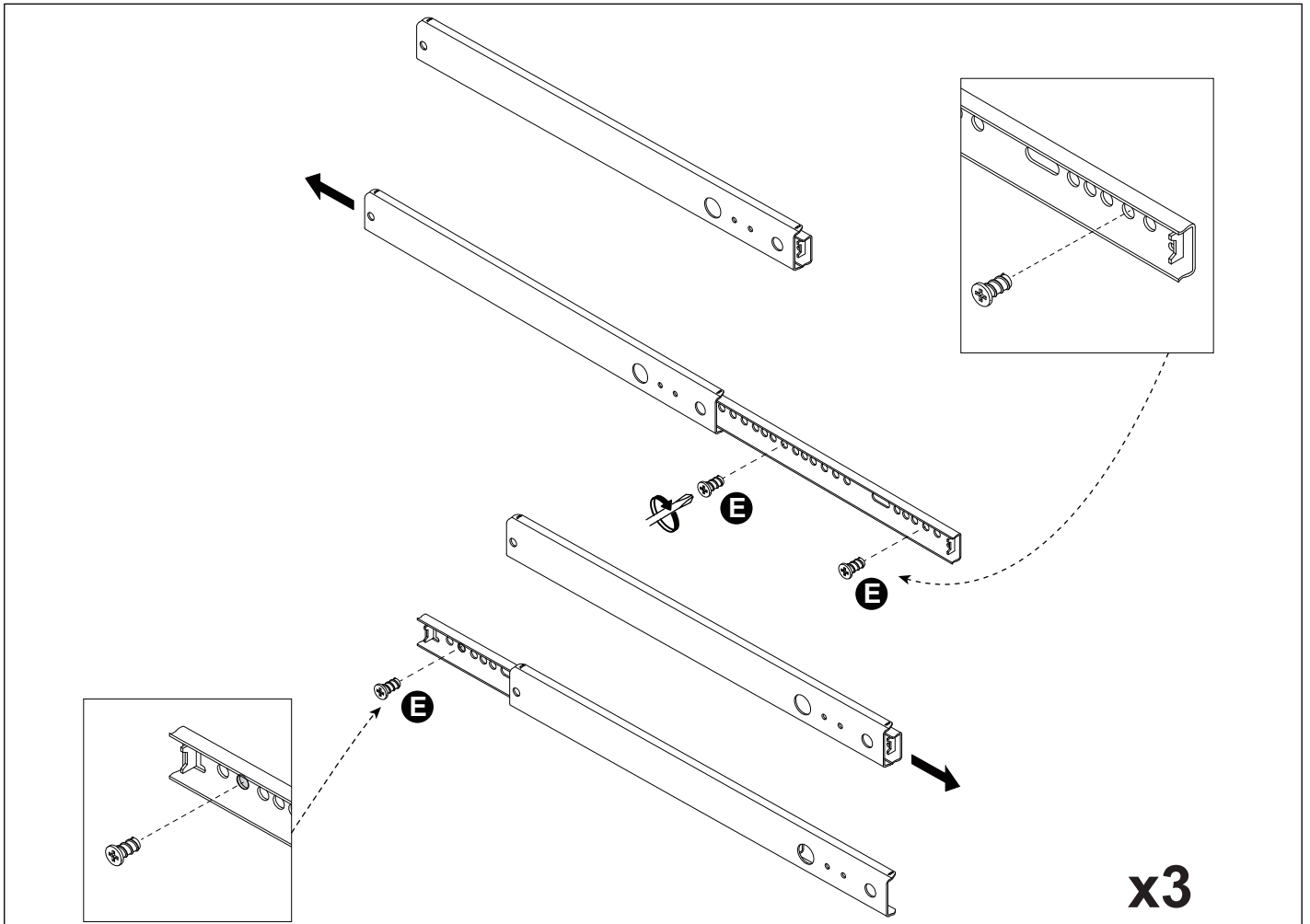
**Attach drawer slide (F) to part (3) using screw (E) with a screwdriver.**

# Assembly Instructions

## Step 3



**Note:** Please pay attention to the direction of the arrows on the drawer slides.



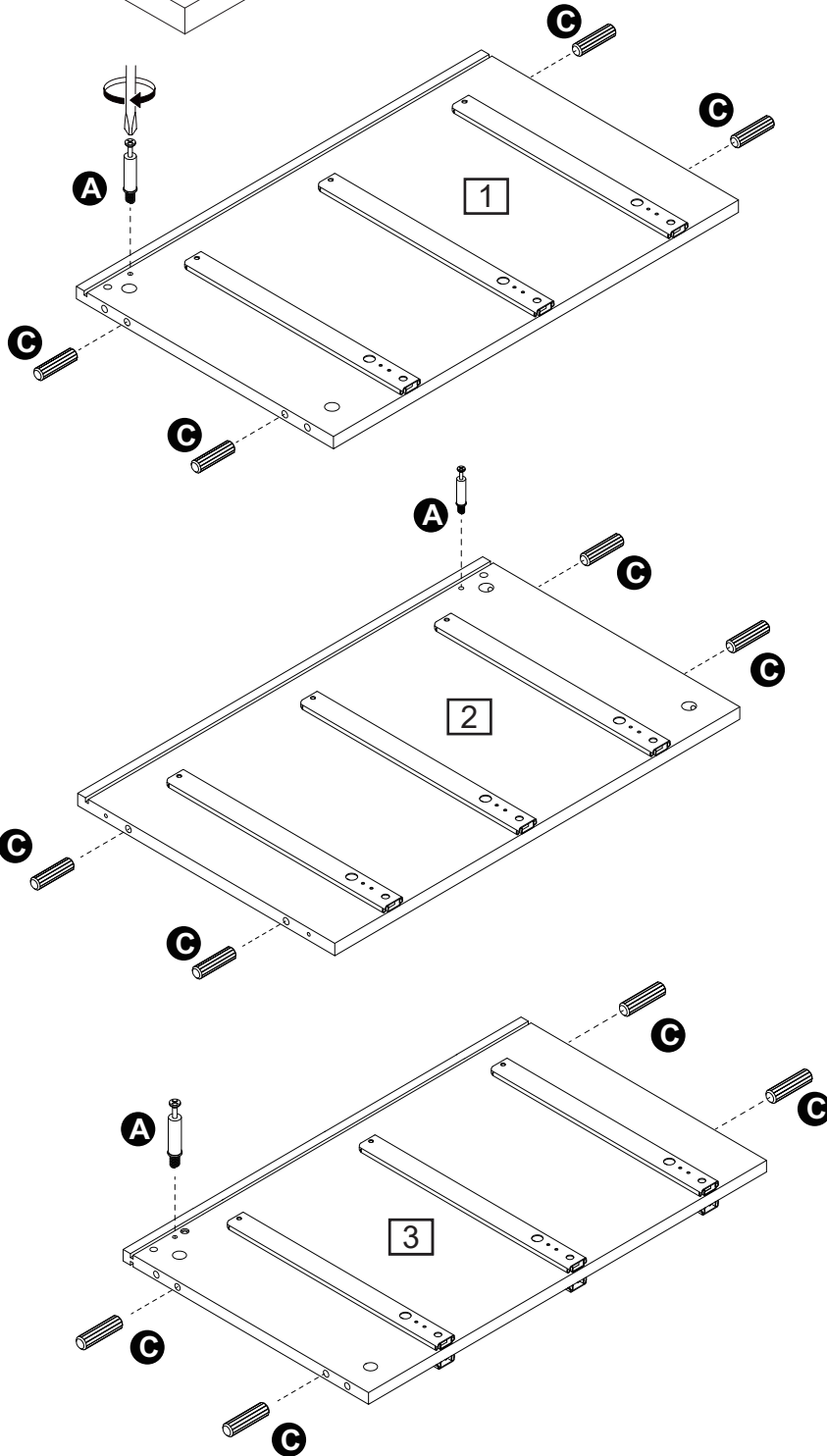
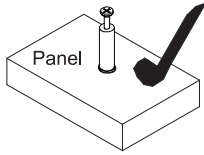
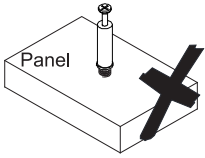
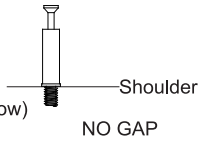
Attach drawer slide (F) to the other side of part (3) using screw (E) with a screwdriver.

# Assembly Instructions

## Step 4

### CAM-LOCK

Tighten until shoulder is flush with panel. Do not overtighten or undertighten (see example below)



A x 3

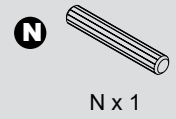
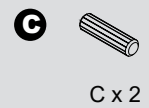
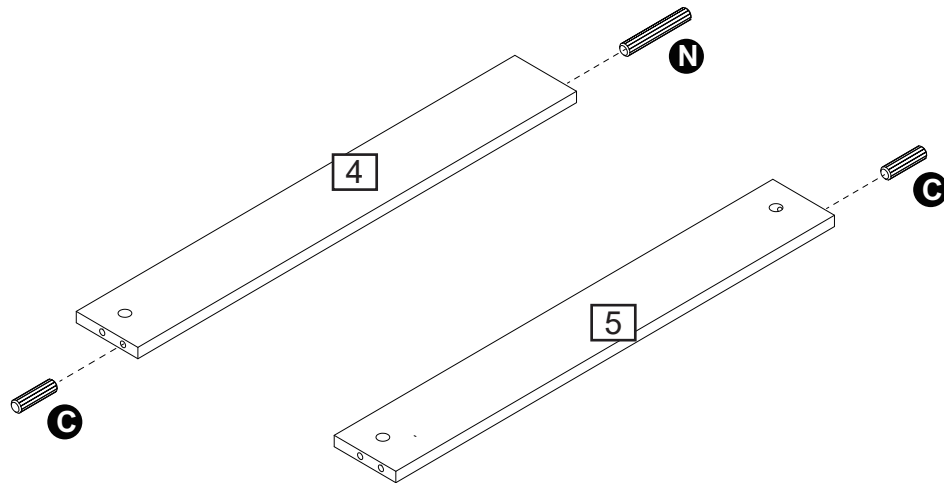


C x 12

Attach cam bolt (A) to part (1, 2, 3) with a screwdriver.  
Insert wooden dowel (C) into part (1, 2, 3).

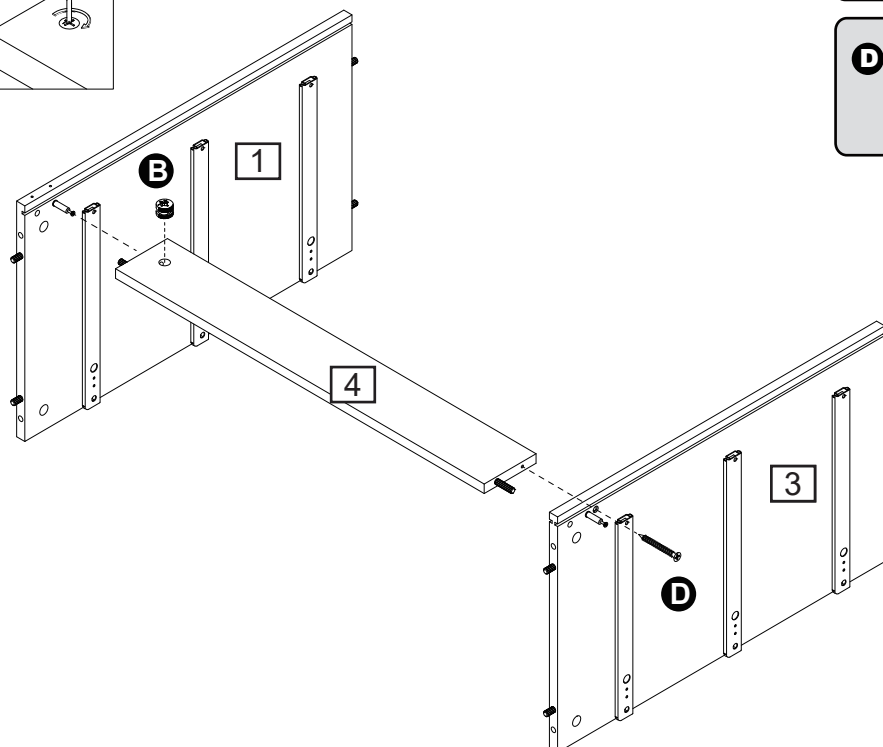
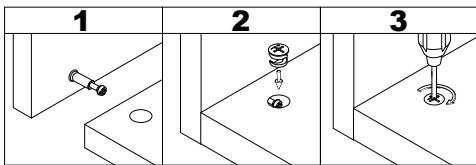
# Assembly Instructions

## Step 5



Insert wooden dowel (C) into part (4, 5), then insert wooden dowel (N) into part (4).

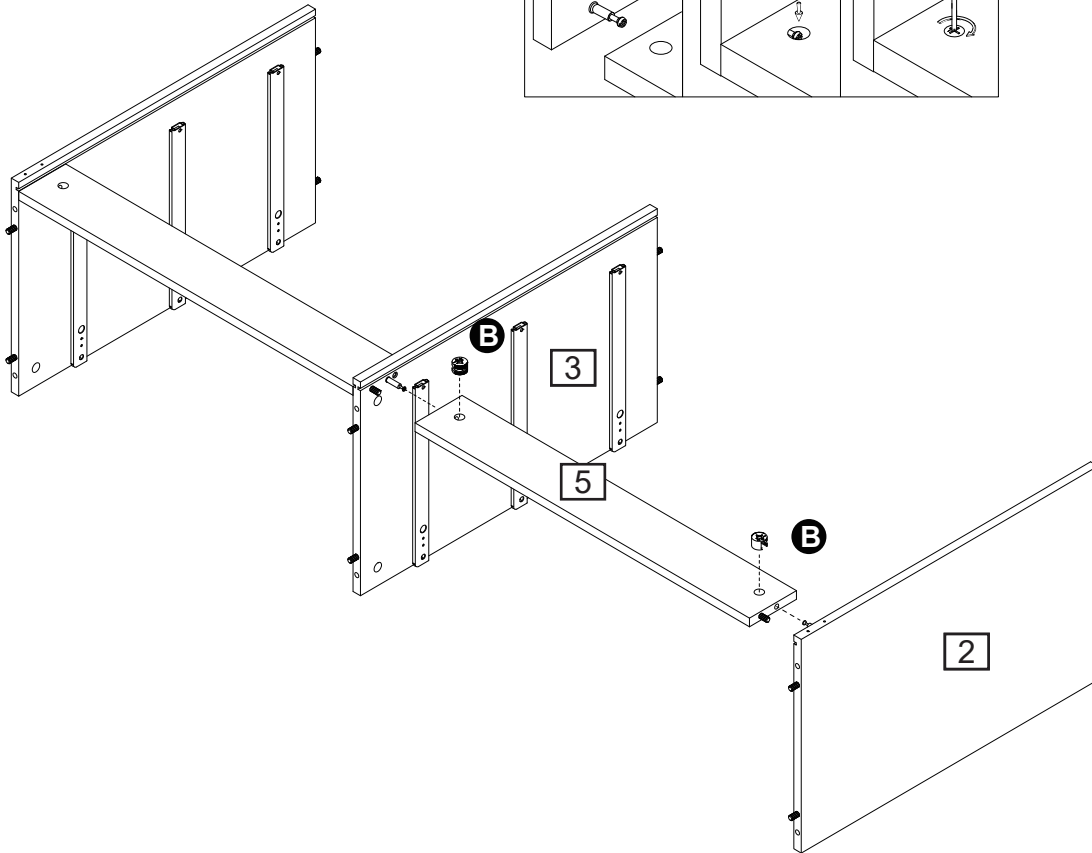
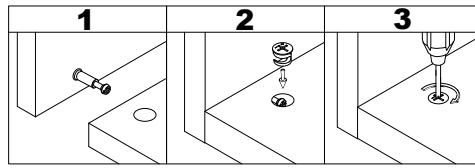
## Step 6



Attach part (4) to part (3) using screw (D) with a screwdriver.  
Attach part (1) to part (4), then insert and secure cam lock (B) to part (4) to lock it.

# Assembly Instructions

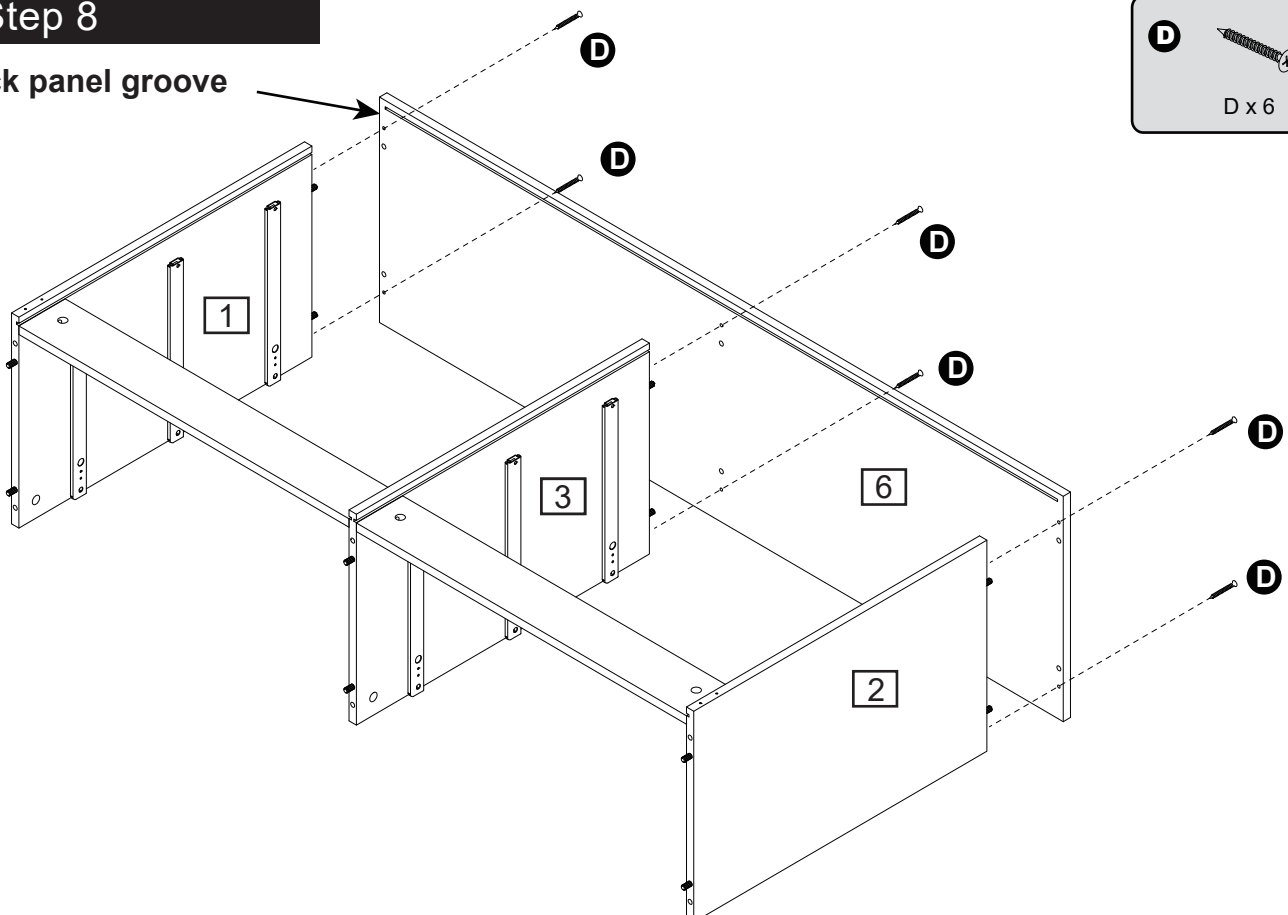
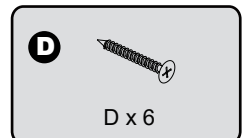
## Step 7



Attach part (5) to part (2,3), then insert and secure cam lock (B) to part (5) to lock it.

## Step 8

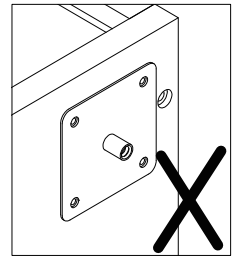
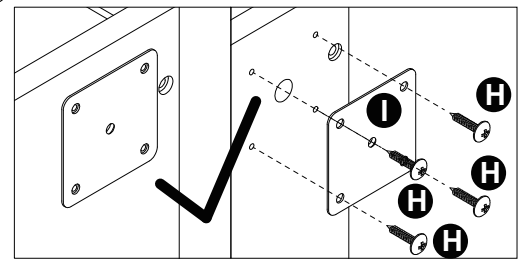
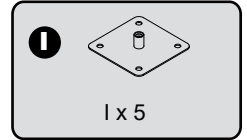
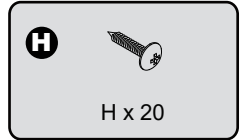
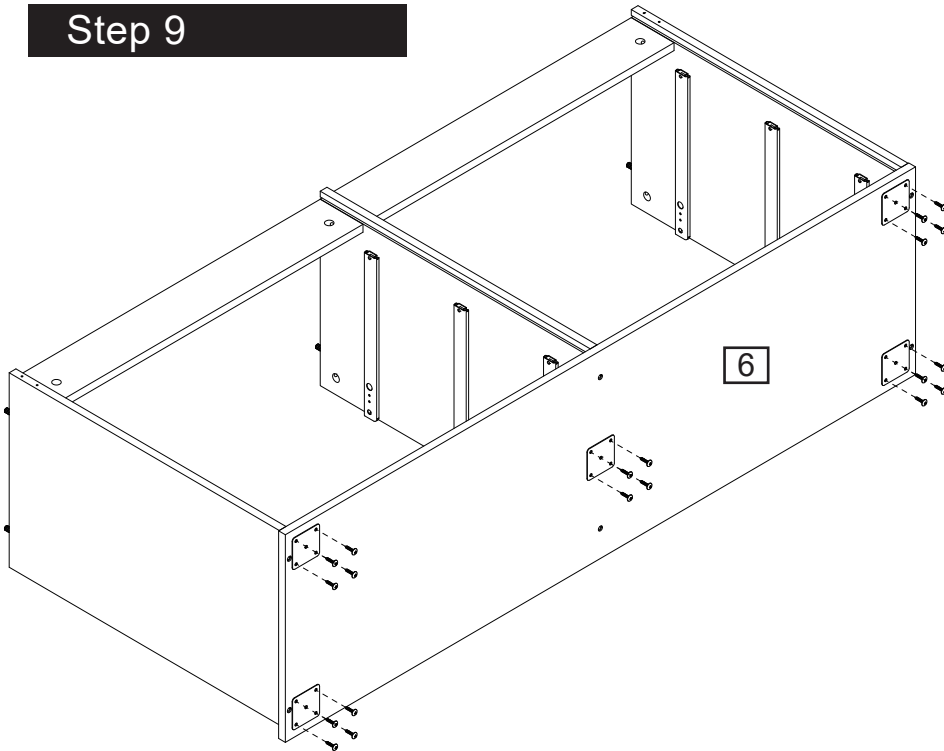
Back panel groove



Attach part (6) to part (1, 2, 3) using screw (D) with a screwdriver.

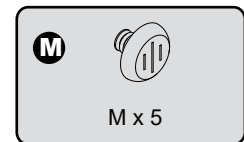
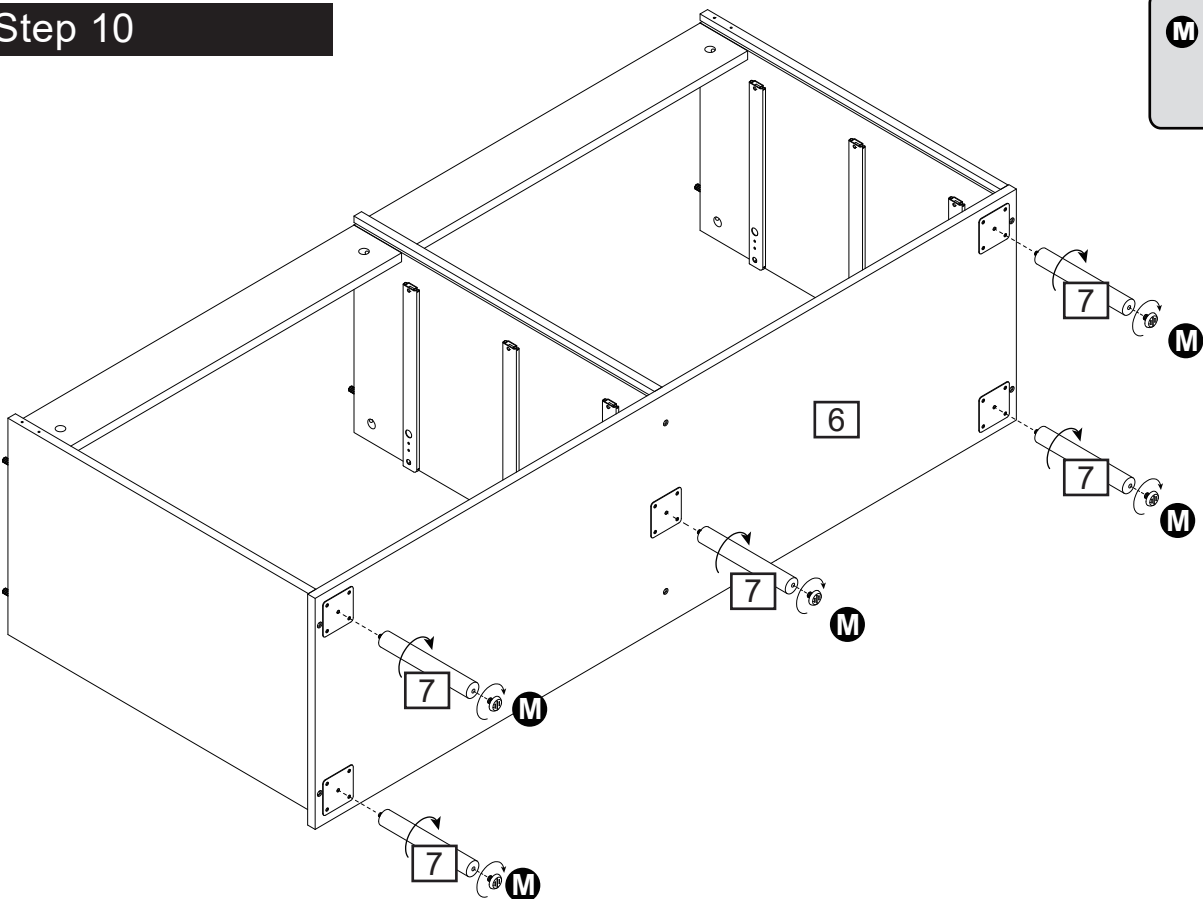
# Assembly Instructions

## Step 9



Attach metal plate (I) to part (6) using screw (H) with a screwdriver.

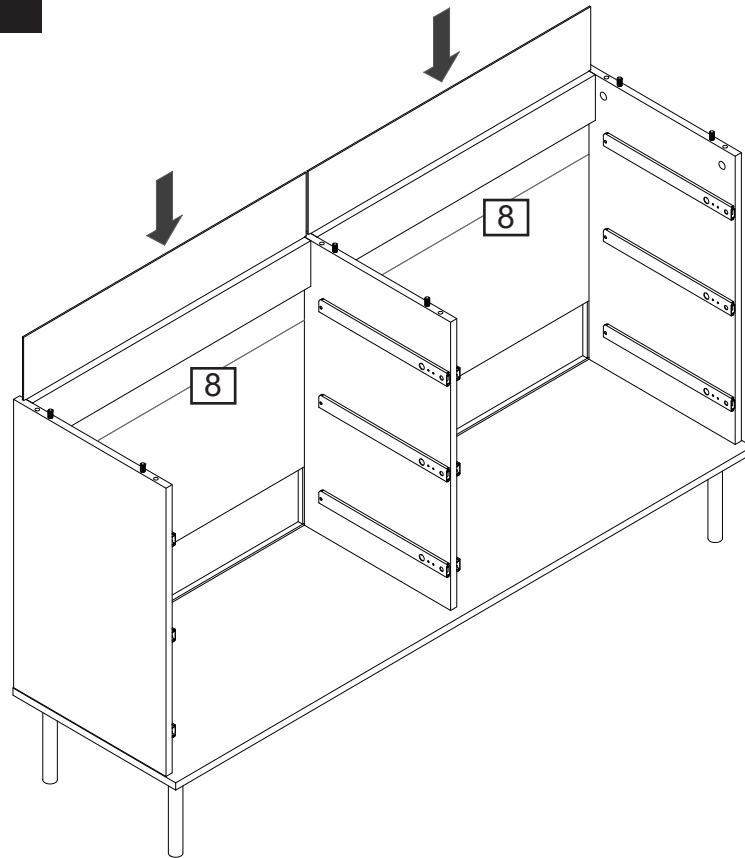
## Step 10



Screw the leg(7) into part (6), then screw the adjustable foot(M) into the leg(7).

# Assembly Instructions

## Step 11

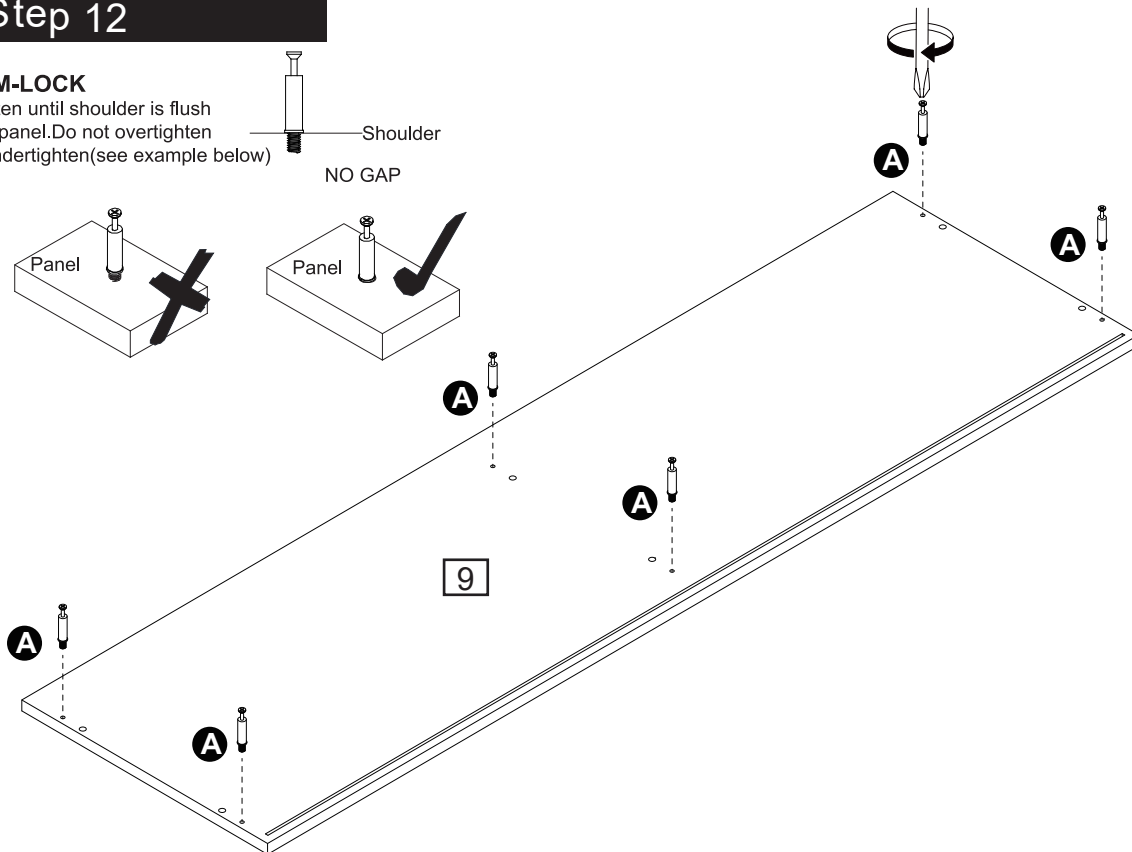
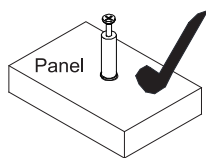
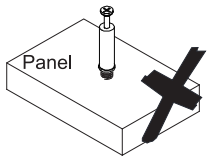
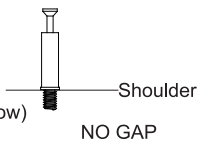


Slide the back panel (8) into grooves as per diagram.

## Step 12

### CAM-LOCK

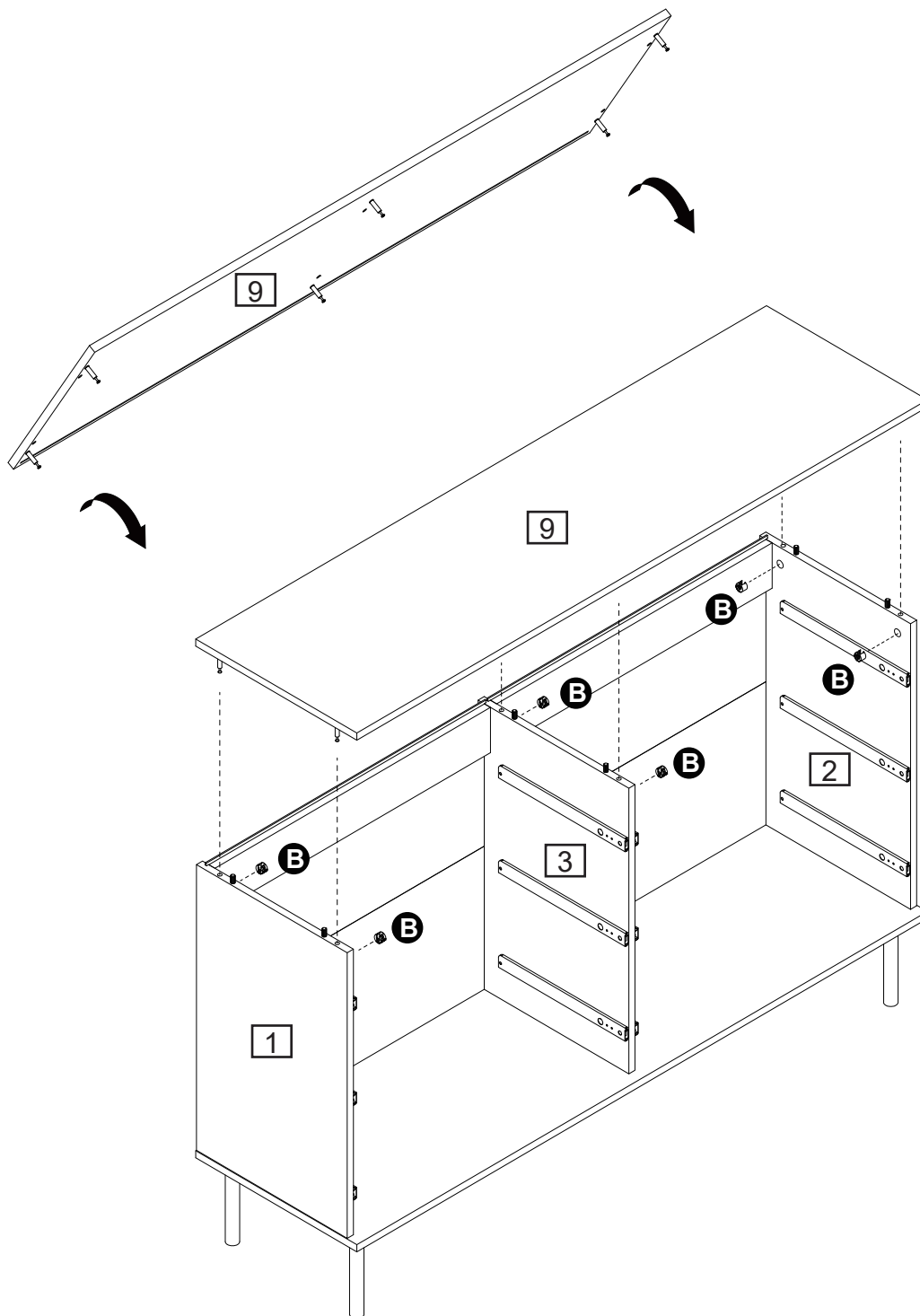
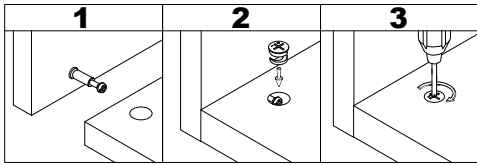
Tighten until shoulder is flush with panel. Do not overtighten or undertighten (see example below)



Attach cam bolt (A) to part (9) with a screwdriver.

# Assembly Instructions

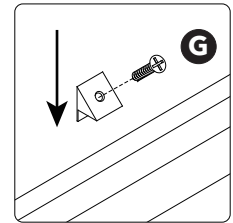
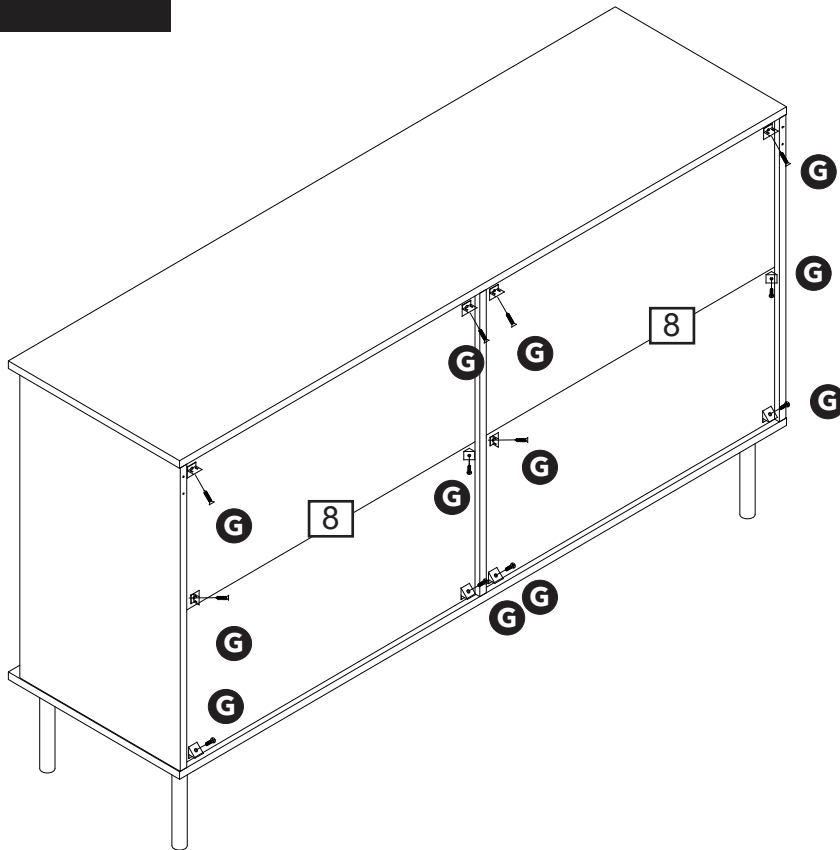
## Step 13



Attach part (9) to part (1, 2, 3), then insert and secure cam lock (B) to part (1, 2, 3) to lock it.

# Assembly Instructions

## Step 14

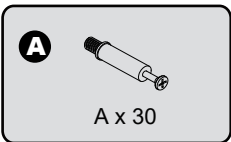
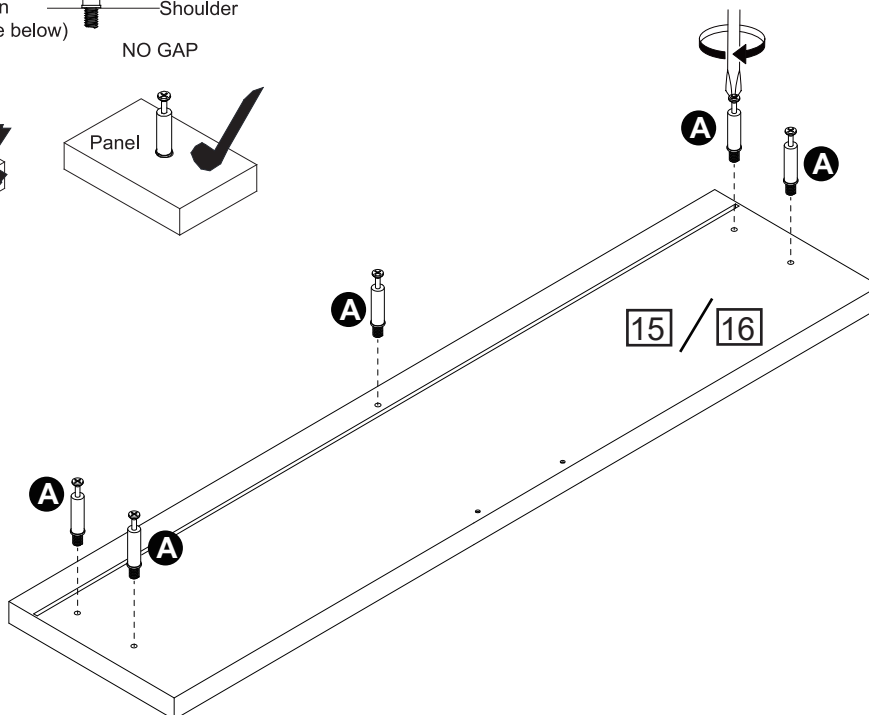
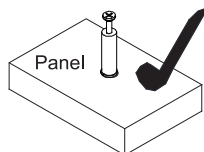
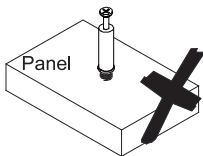
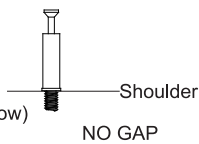


Attach plastic wedge (G) to back panel (8) using screw (G) with a screwdriver.

## Step 15

### CAM-LOCK

Tighten until shoulder is flush with panel. Do not overtighten or undertighten (see example below)

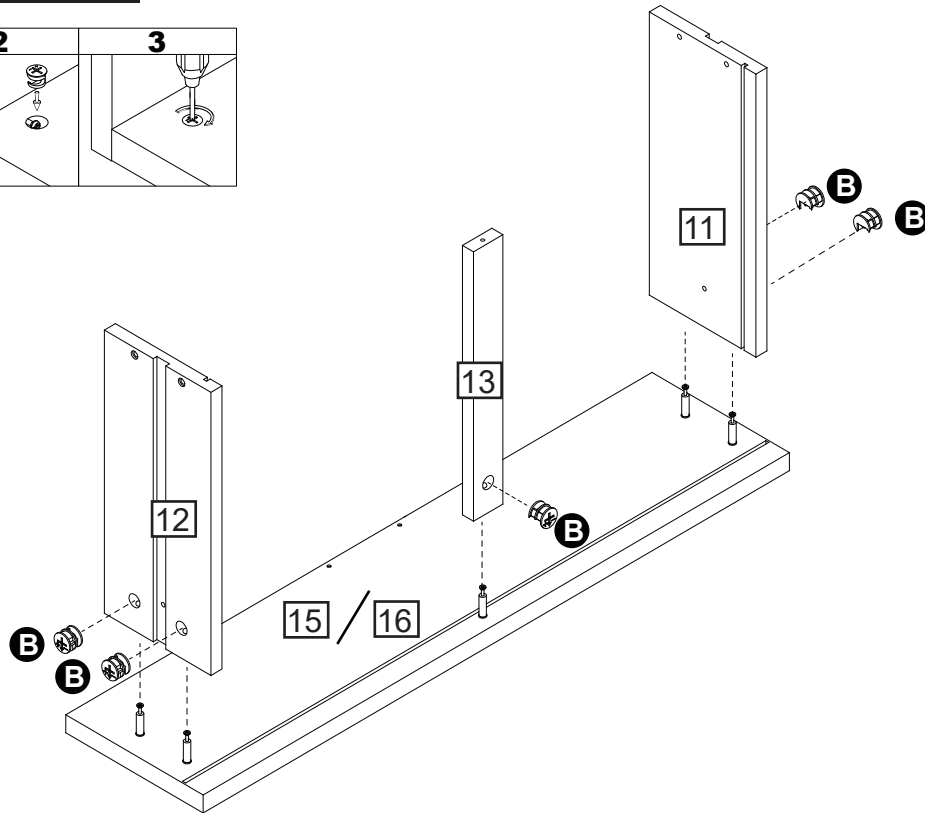
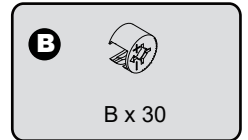
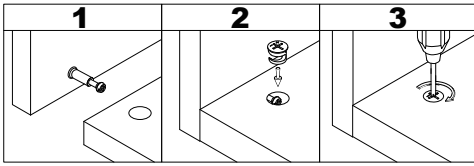


x3

Attach cam bolt (A) to part (15, 16) with a screwdriver.

# Assembly Instructions

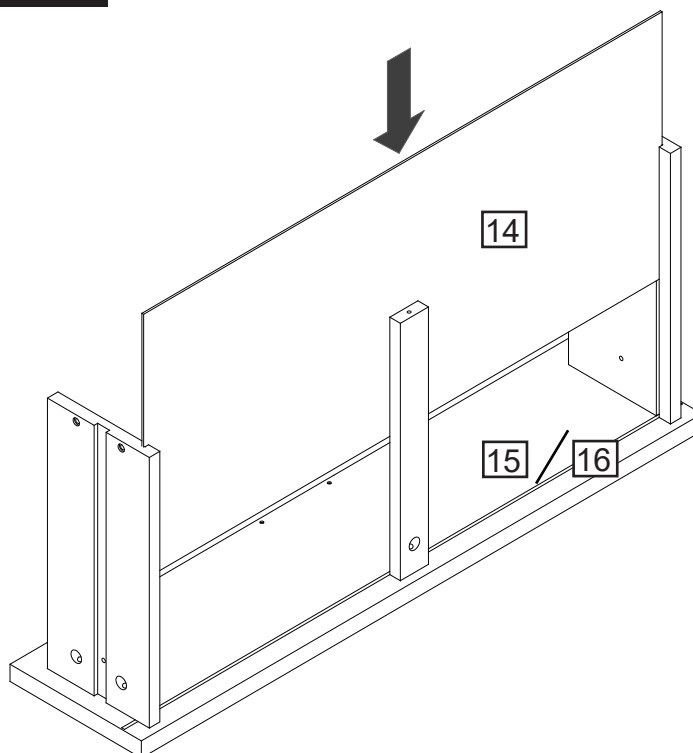
## Step 16



**x3**

Attach part (11, 12, 13) to part (15, 16), then insert and secure cam lock (B) to part (11, 12, 13) to lock it.

## Step 17

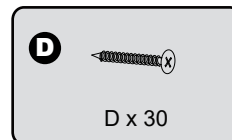
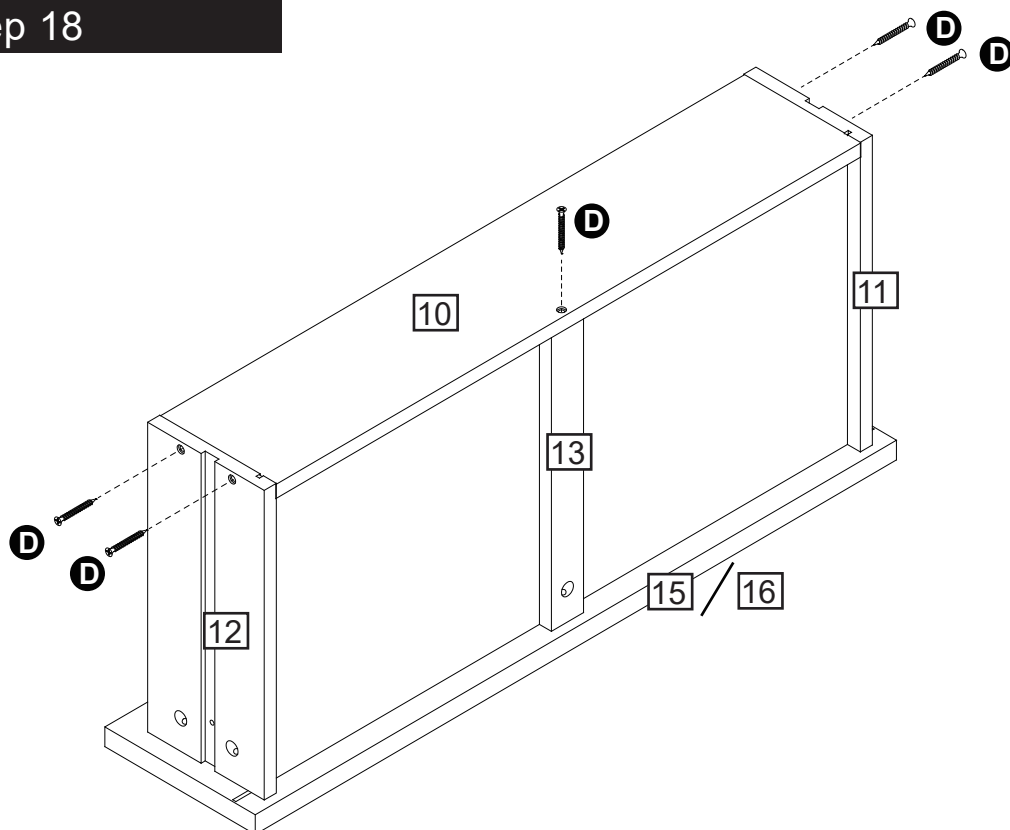


**x3**

Slide part (14) into grooves as per diagram.

# Assembly Instructions

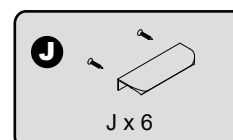
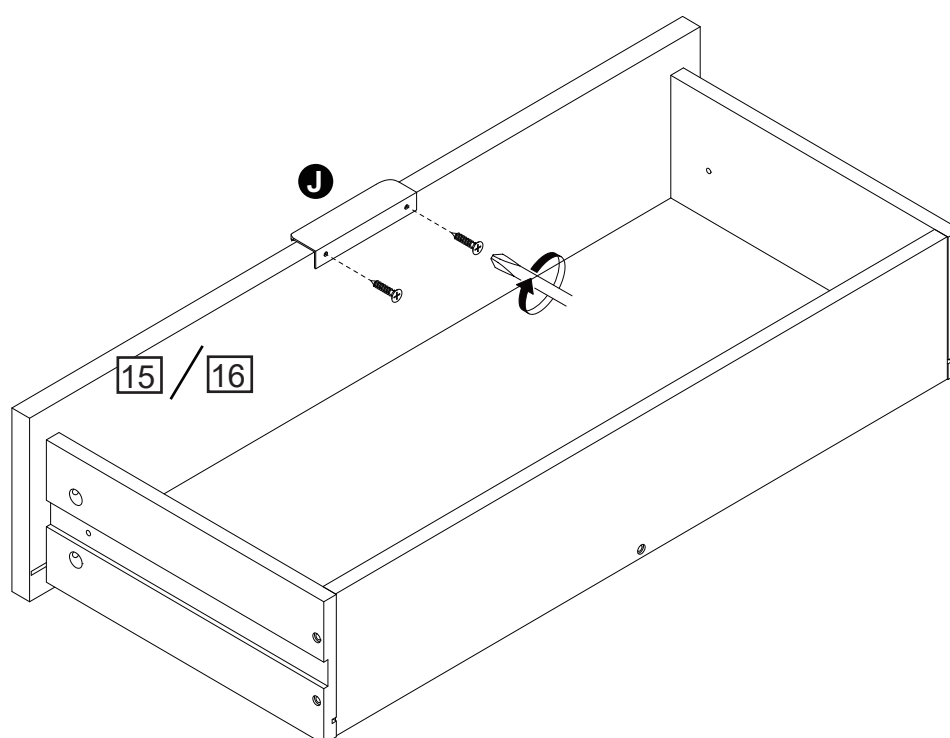
## Step 18



**x3**

Attach part (10) to part (11, 12, 13) using screw (D) with a screwdriver.

## Step 19

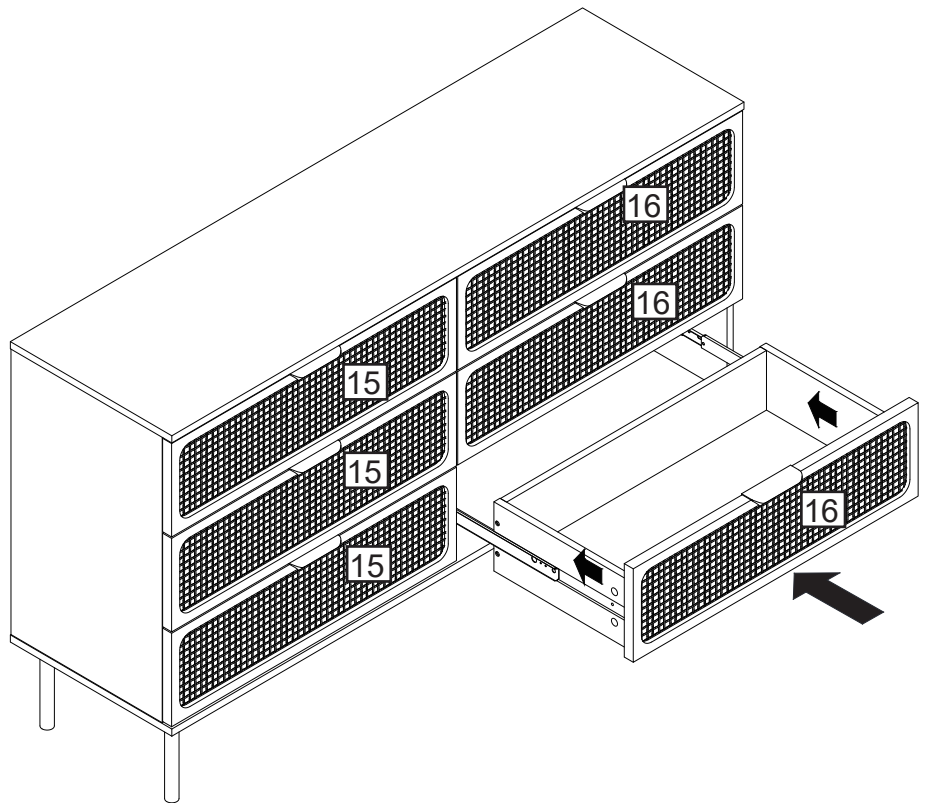
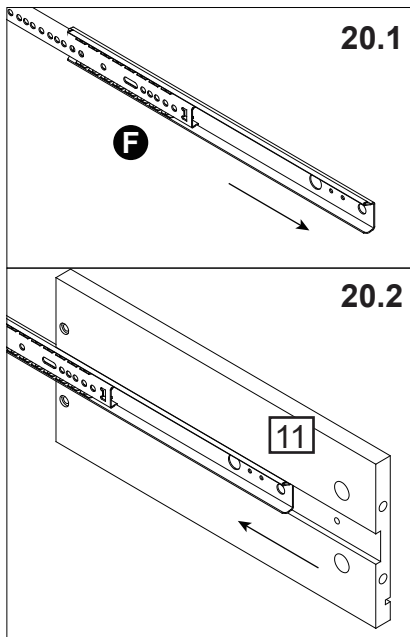


**x3**

Attach handle (J) to part (15, 16) using screw (J) with a screwdriver.

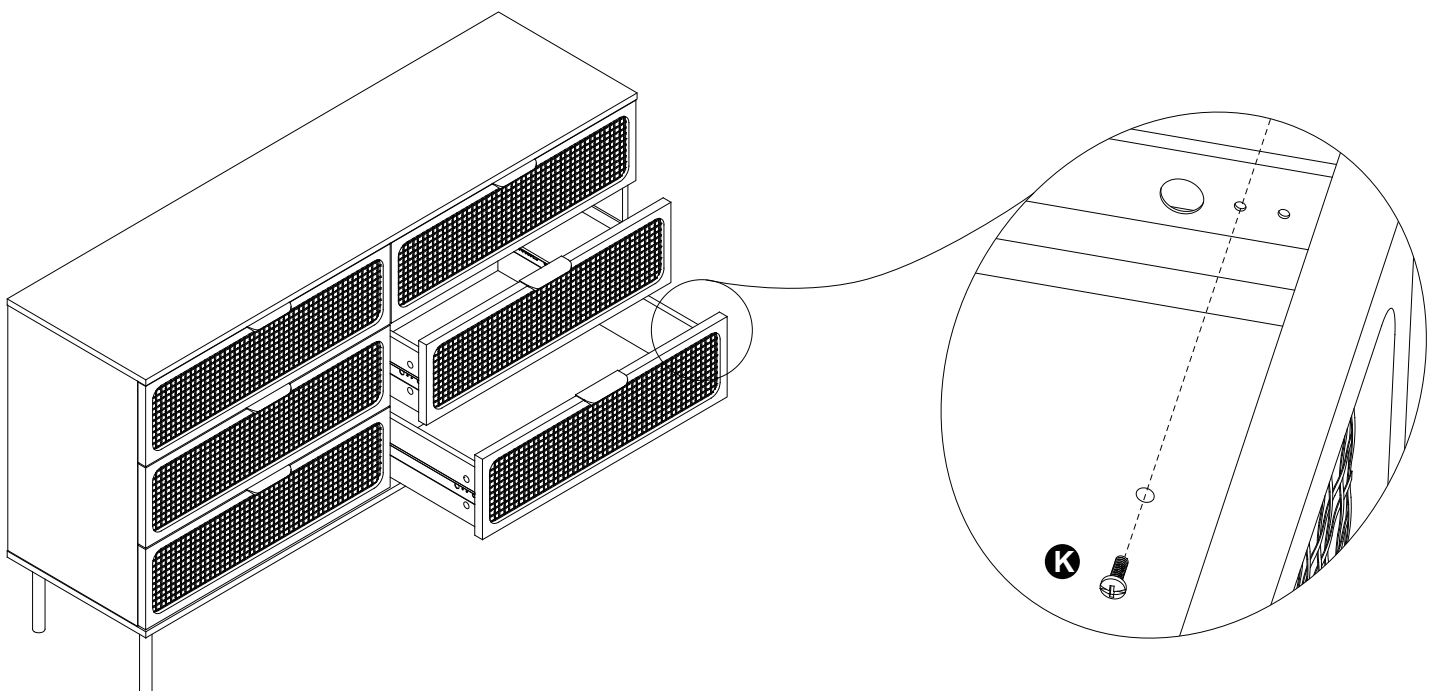
# Assembly Instructions

## Step 20



Slide the drawer slide (F) into grooves on both side of the drawer as per diagram.

## Step 21

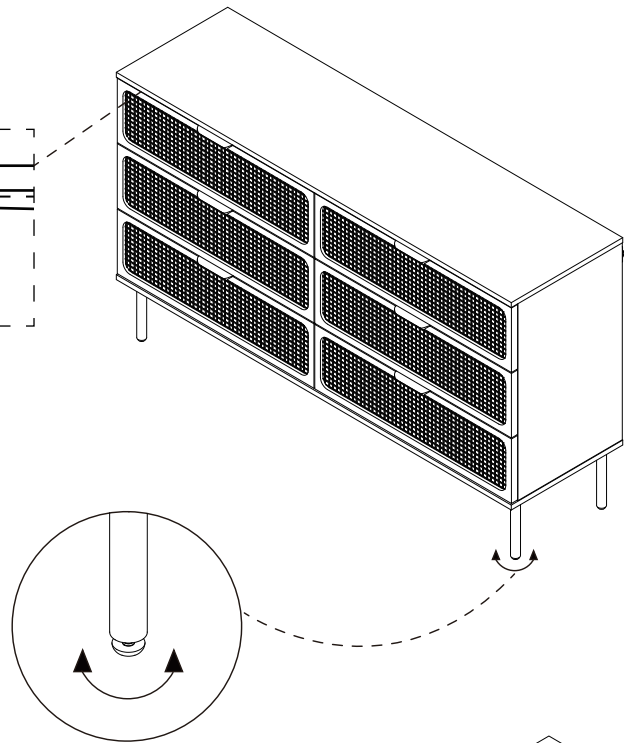
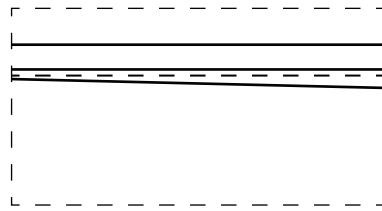


Use screw (K) to secure drawer slide (F) to the drawer.

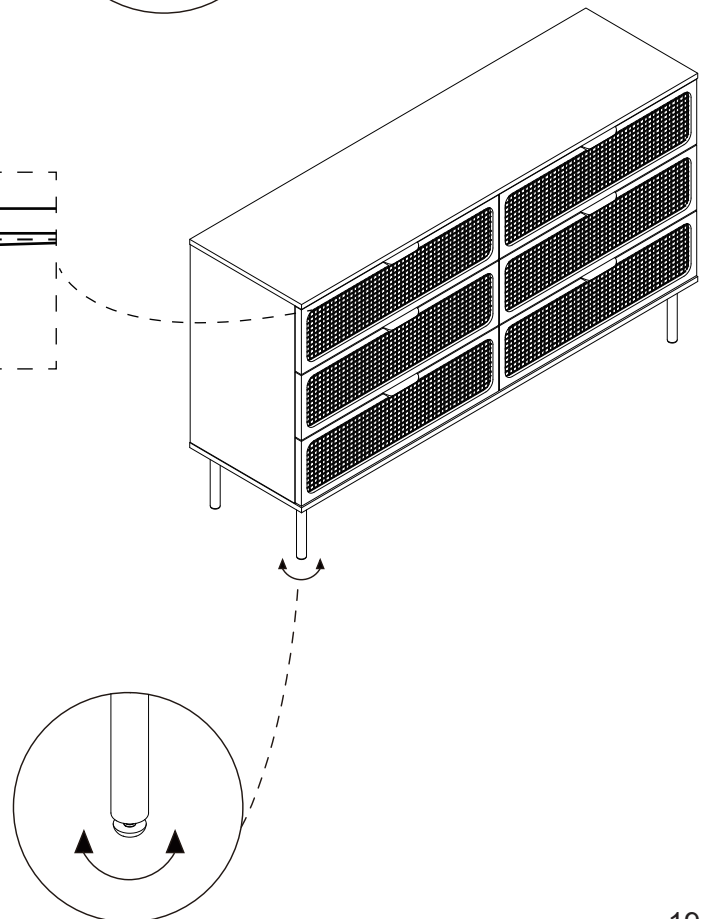
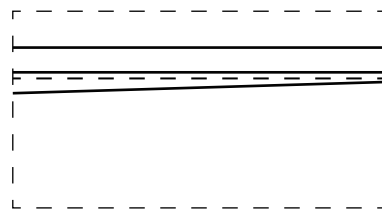
# Is your dresser chest door looking crooked or unevenly spaced?

If you're still having trouble lining everything up, your next step should be to try to adjust the feet slightly to square up the dresser chest and doors. Follow the instructions below:

If the right side of the door appears to be hanging low, you can adjust the adjustable leveler on the front right until the door is better aligned.



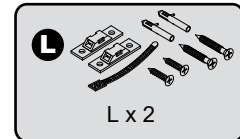
If the left side of the door appears to be hanging low, you can adjust the adjustable leveler on the front left until the door is better aligned.



# Assembly Instructions

## Step 22

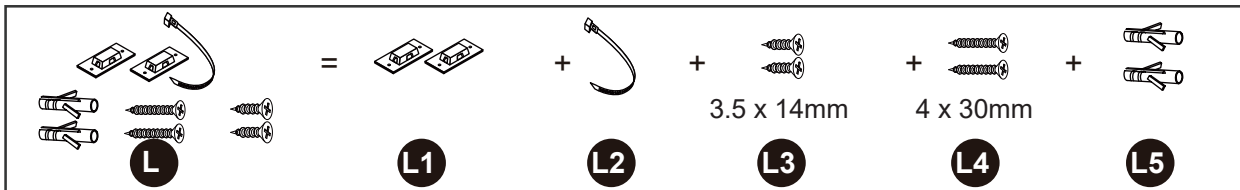
### TIPPING RESTRAINTS KIT INSTALLATION GUIDANCE



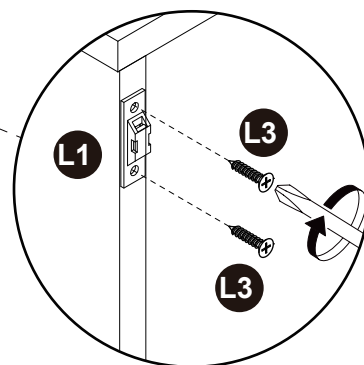
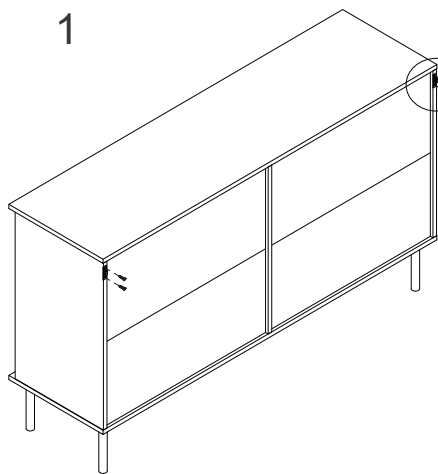
Different wall materials require unique wall fasteners.

The wall plugs (L5) and screws (L4) are designed for fixing to concrete walls only.

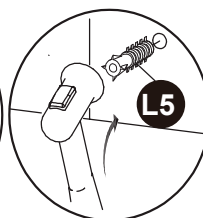
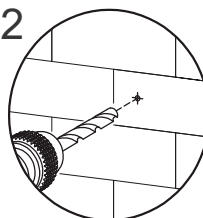
**Please consult your local hardware store to ensure you are using the correct hardware for you wall type.**



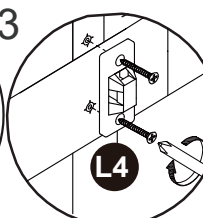
1



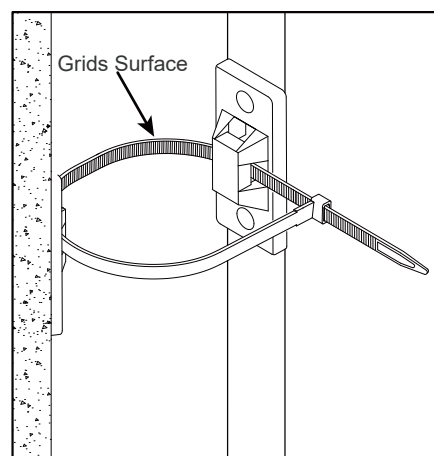
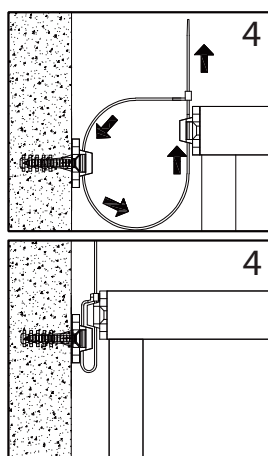
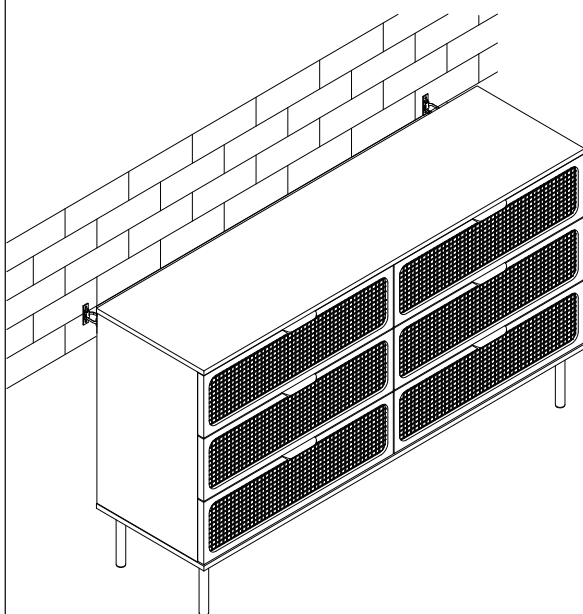
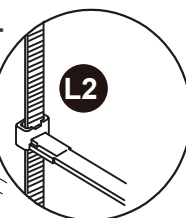
2



3



4



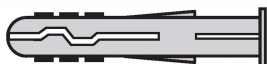
### Installation Instructions :

1. Attach bracket (L1) securely to the back side of the furniture using screw (L3) provided. Allow 8 - 10 cm from each side.
2. Please make a hole for wall plugs position on the wall and minimum 15 mm below bracket secured to the back of unit attach the wall plugs (L5).
3. Locate the other bracket (L1) on the wall over wall plugs (L5). Place furniture into position so both brackets (L1) are vertically in the line.
4. Lace the end of the restraints strap through the larger hole in each bracket. Ensure the restraints strap with grids surface facing the inner loops. Bring both ends together and slide the flat end through the locking end and draw it through until all slack is removed.
5. Make sure that the strap is securely laced & locked.

# A Guide to Wall Mounting & Fixings

## Important note:

If plastic wall plugs (rawl plugs) are supplied with your product, e.g.:



- these are only suitable for use in masonry walls.

If you are in any doubt about the correct wall plugs for your wall, seek professional advice.


Failure of the product due to using the incorrect fixings is the responsibility of the installer.



**Important:** when drilling into walls always check that there are no hidden wires or pipes etc.

Make sure that the screws and wall plugs being used are suitable for **supporting your unit**. **Consult a qualified tradesperson if you are unsure.**

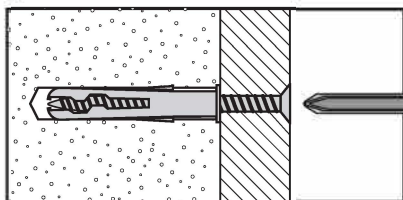
Hints:

- 1: General rule:  always use a larger screw and wall plug if you are not sure.
- 2: Ensure you use the recommended drill bit to match the wall plug and hole size.
- 3: Ensure you drill the hole horizontally; do not force the drill or enlarge the hole.
- 4: Take extra care when drilling high walls, ceilings and ceramic tiles. Ensure wall plugs are inserted beyond the thickness of the ceramic tiles to avoid the tiles splitting or cracking.
- 5: Ensure wall plugs are well fitted and are a tight fit in the drilled hole.

## Types of walls

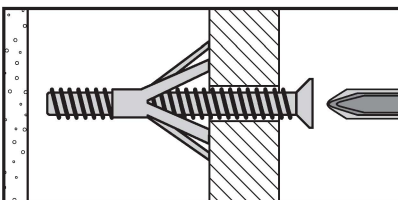
You can use one of the following types of wall plug if your walls are made of brick, breeze block, concrete, stone or wood.

No.1 "General Purpose" wall plug



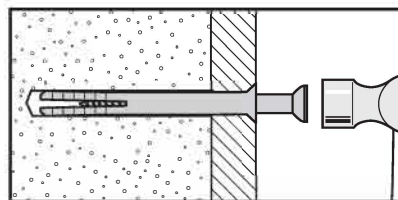
Generally aerated blocks should not be used to support heavy loads, use a specialist fitting in this case. For light loads, general purpose wall plugs can be used.

No.3 "Cavity Fixing" wall plug



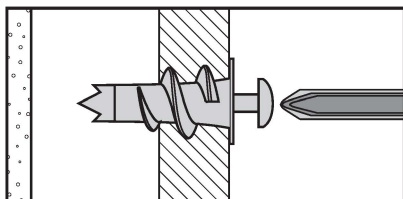
For use with plasterboard partitions or hollow wooden doors.

No.5 "Hammer Fixing" wall plug



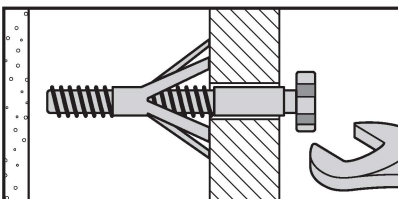
For use with walls stuck with plasterboard. The hammer fixing allows it to be fixed to the wall rather than the plasterboard. Always check the fixing is secure to the retaining wall.

No.2 "Plasterboard" wall plug



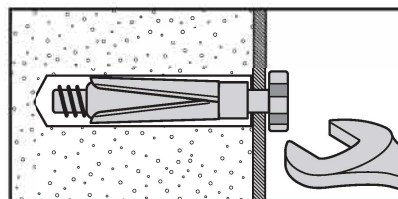
For use when attaching light loads onto plasterboard partitions.

No.4 "Cavity Fixing - Heavy Duty" wall plug



For use when fitting or supporting heavy loads such as shelving, wall cabinets and coat racks.

No.6 "Shield Anchor" wall plug - heavy loads



For use with heavier loads such as TV and HiFi speakers and satellite dishes etc.



## Care & Maintenance

**Safety:** always check the fitting and location to ensure your safety in and around the home.

**Fitting:** from time to time check the fitting to ensure the wall plugs or screws do not become loose.