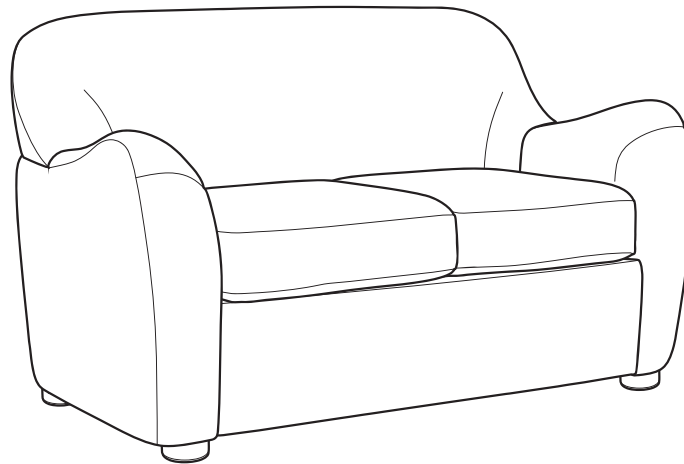


LOVESEAT

ASSEMBLY INSTRUCTIONS

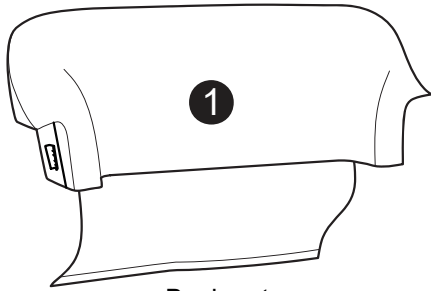
- Please DO NOT dispose packaging material till you are satisfied with the finished product.
- Place all the parts on a clean and smooth surface such as rug or carpet to avoid the parts being from dirty or scratched.
- Before you begin assembly, please read and follow the assembly instructions step by step process for successful assembly completion.



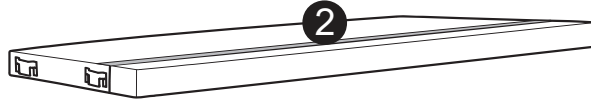
WARNING

- This product has been designed for seating two average adults, to prevent injury and damages, please avoid miss use or jumping on it.
 - This product is designed for home use and not intended for commercial use.
 - Children should not be present while assembling the furniture, due to safety concerns.
 - Recommended # of people needed for handling: 2 (however it is always better to have an extra hand.)
 - THIS INSTRUCTION BOOKLET CONTAINS **IMPORTANT** SAFETY INFORMATION. PLEASE READ AND KEEP FOR FUTURE REFERENCE.
-

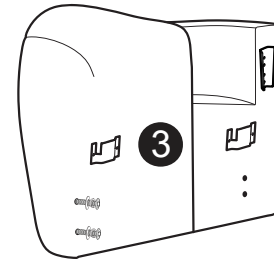
PARTS



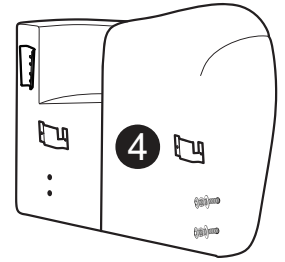
Backrest
QTY:1



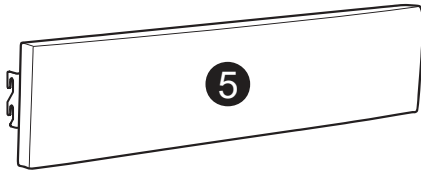
Seat Frame
QTY:1



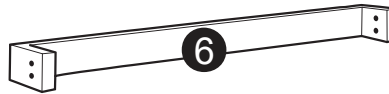
Left Facing Arm
QTY:1



Right Facing Arm
QTY:1



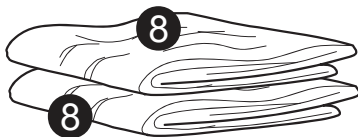
Front Seat Panel
QTY:1



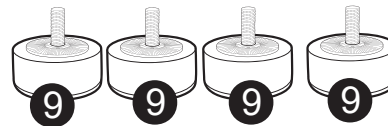
Back Rail
QTY:1



Seat Cushion
QTY:2



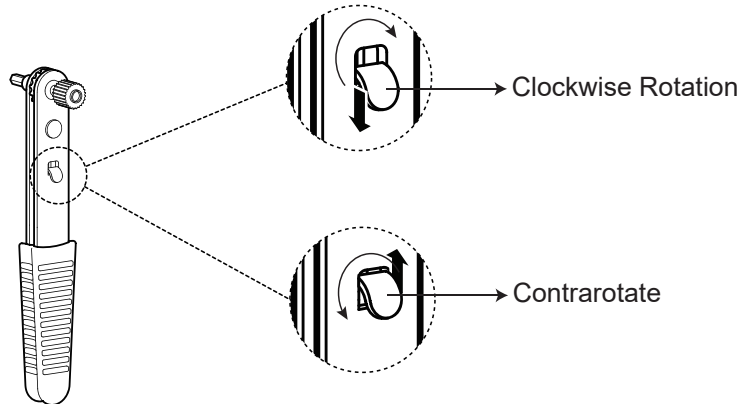
Seat Cushion Cover
QTY:2



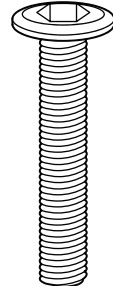
Leg
QTY:4

NOTICE TO CONSUMER:
Please do not dispose off packaging materials until product are fully tested, to prevent losing of Parts or Hardware.

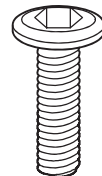
HARDWARE



A
Manual Ratchet
M4
QTY : 1 PC



B
Bolt
5/16" X 60mm
QTY : 4 PCS



C
Bolt
5/16" X 30mm
(PRE-ASSEMBLED 4 PCS)

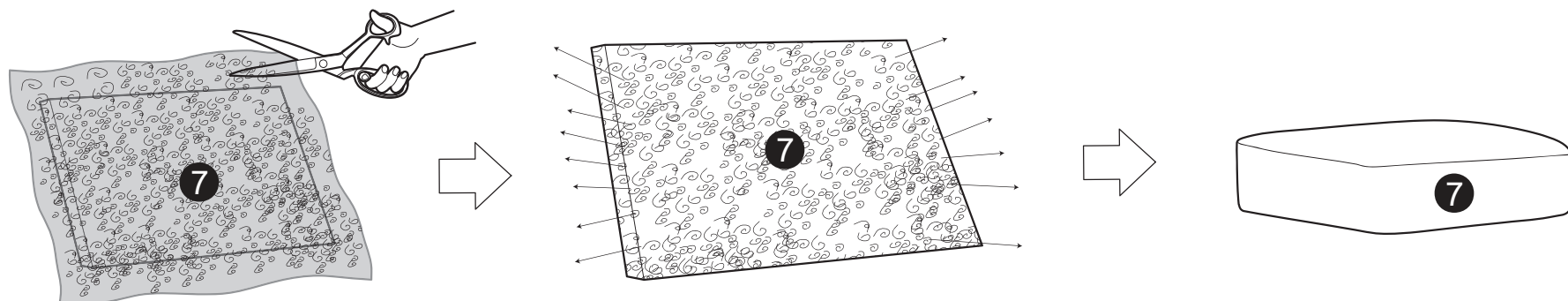


D
Spring Washer
Φ13 x Φ8mm
QTY : 4 PCS
(PRE-ASSEMBLED 4 PCS)



E
Washer
Φ19 x Φ8mm
QTY : 4 PCS
(PRE-ASSEMBLED 4 PCS)

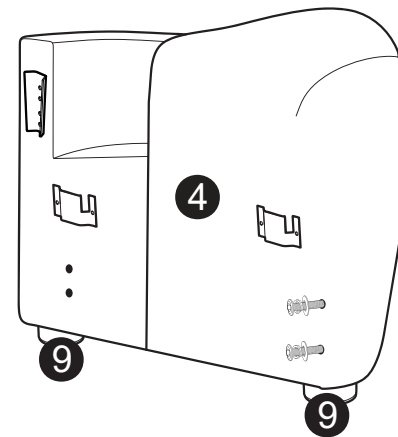
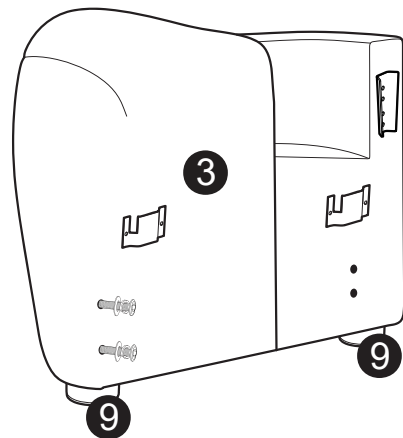
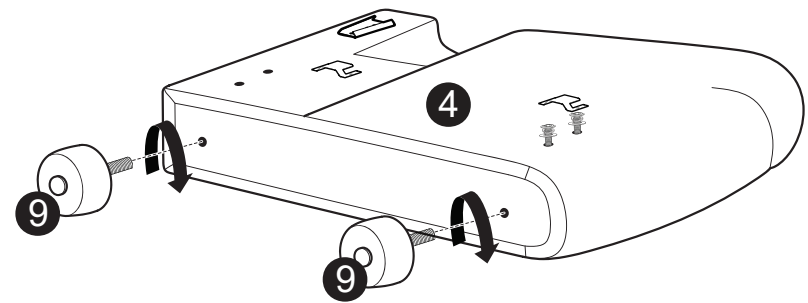
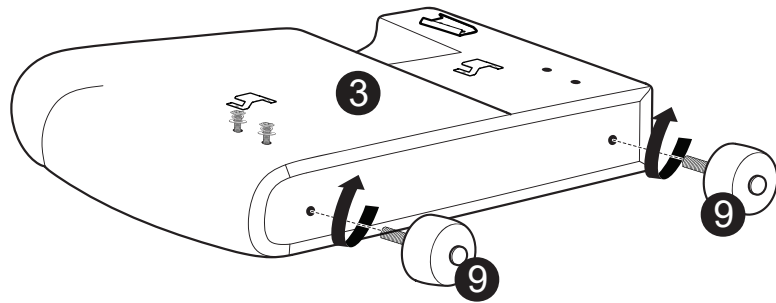
Step 1 :



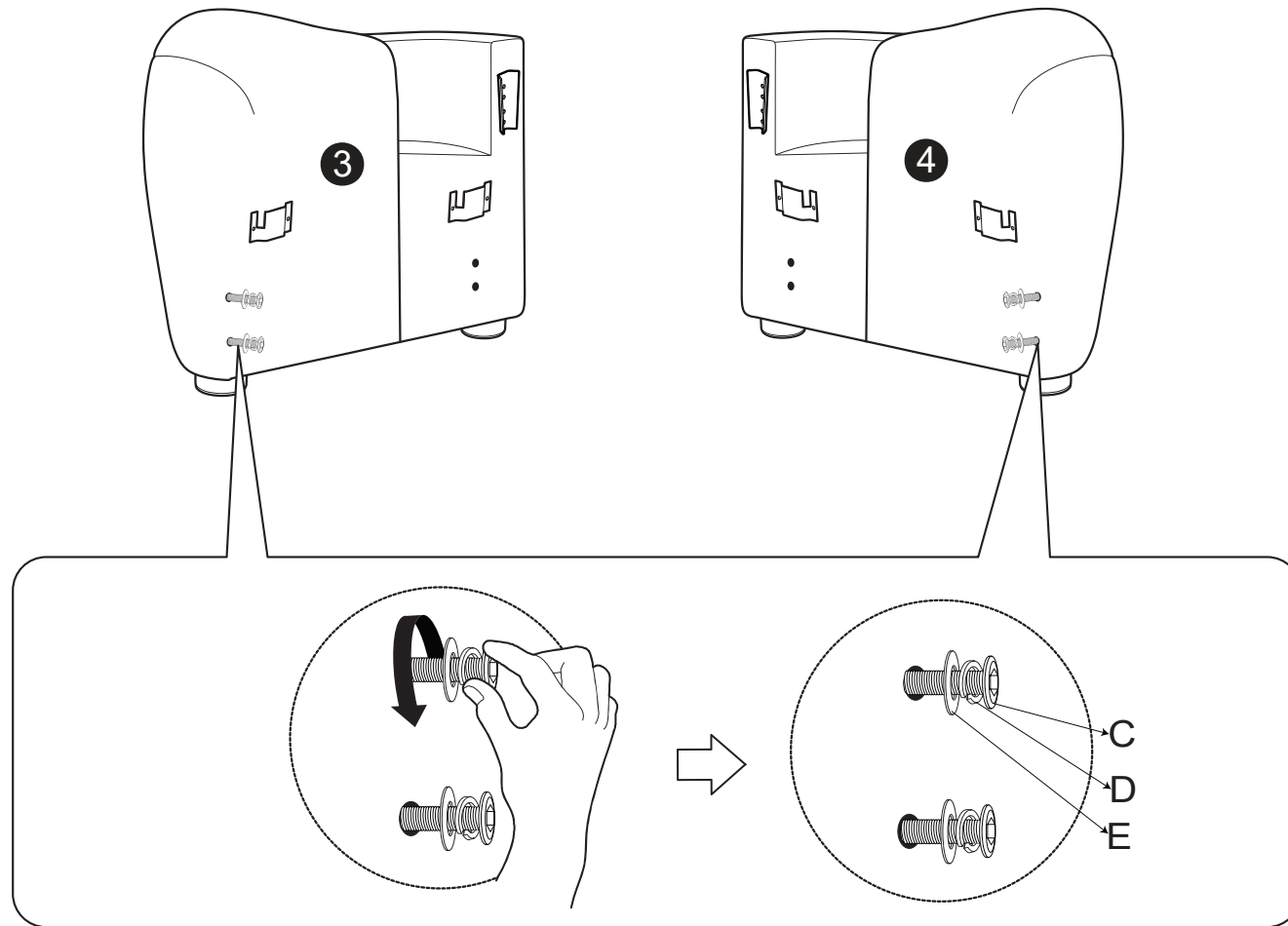
Step 2 :



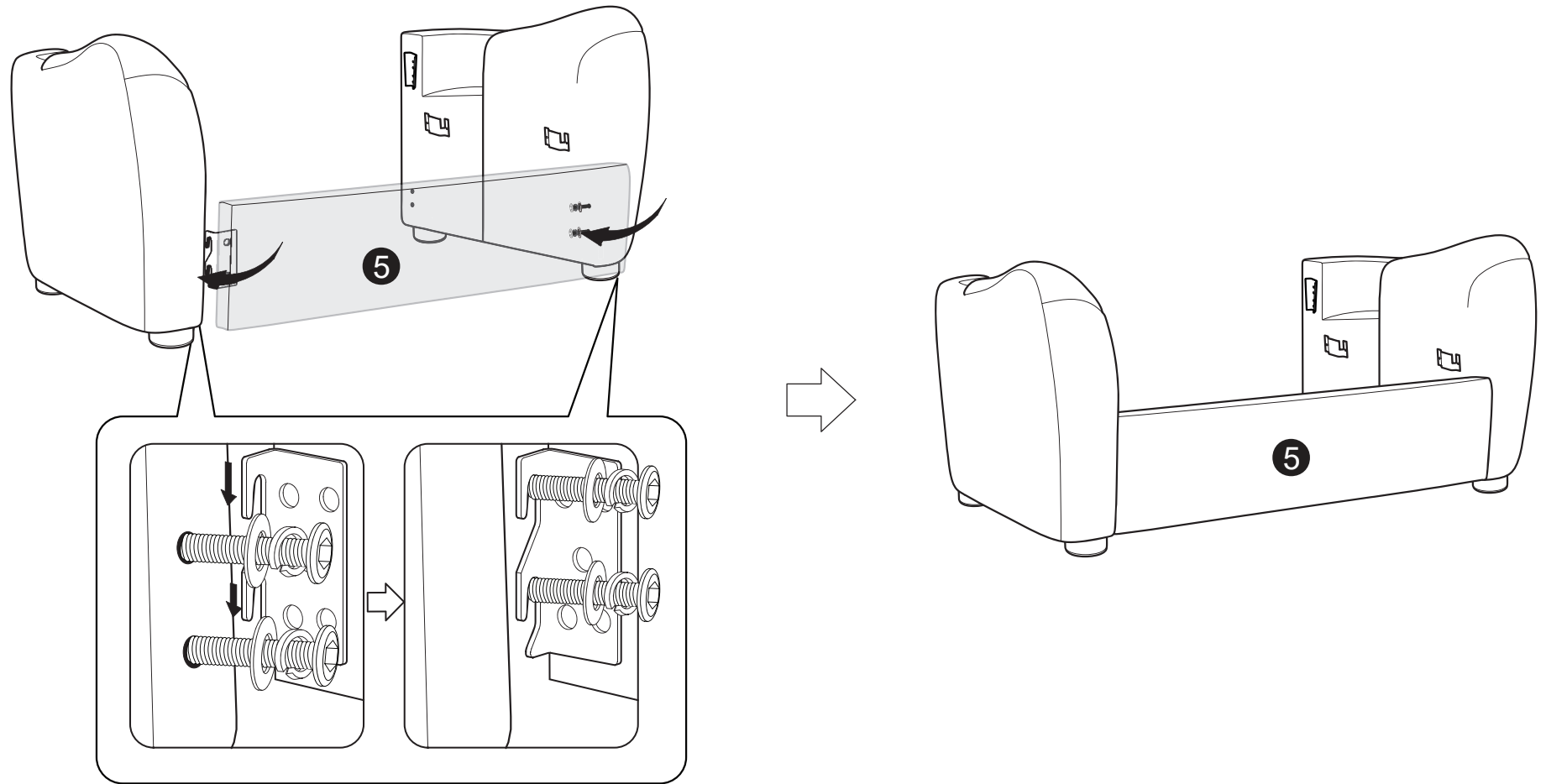
9 x 4



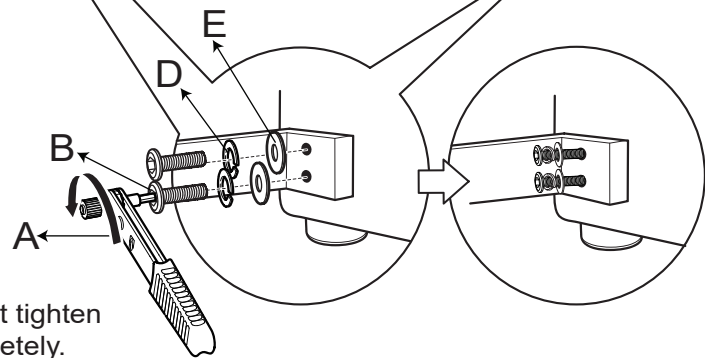
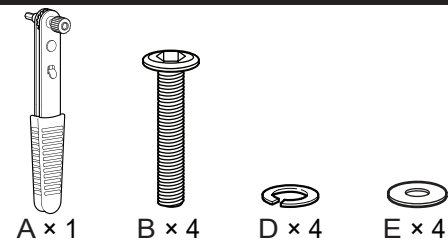
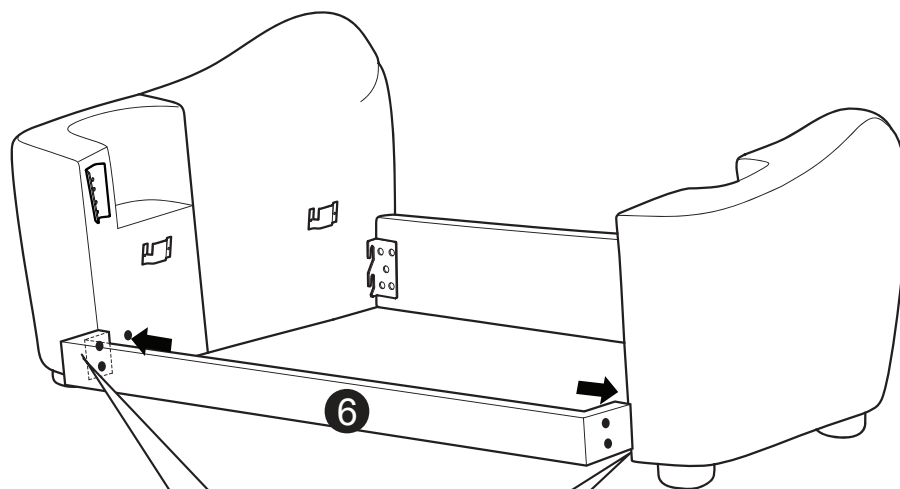
Step 3 :



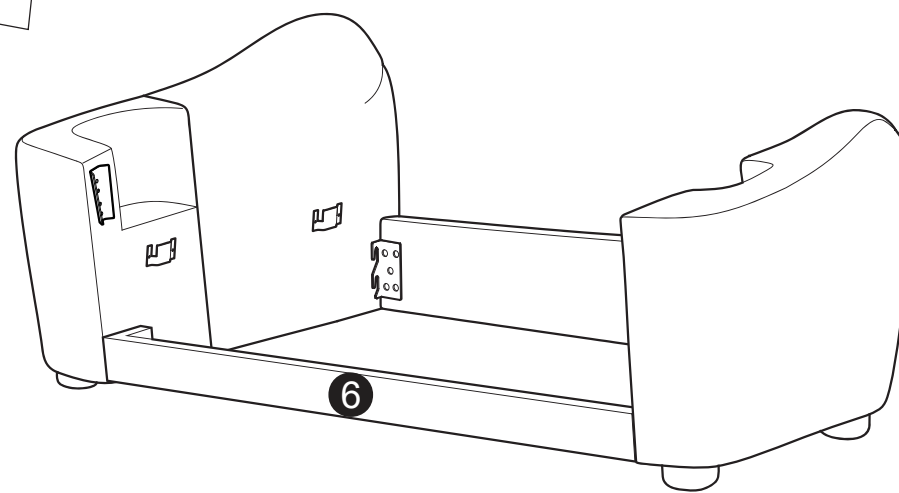
Step 4:



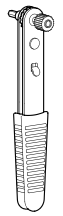
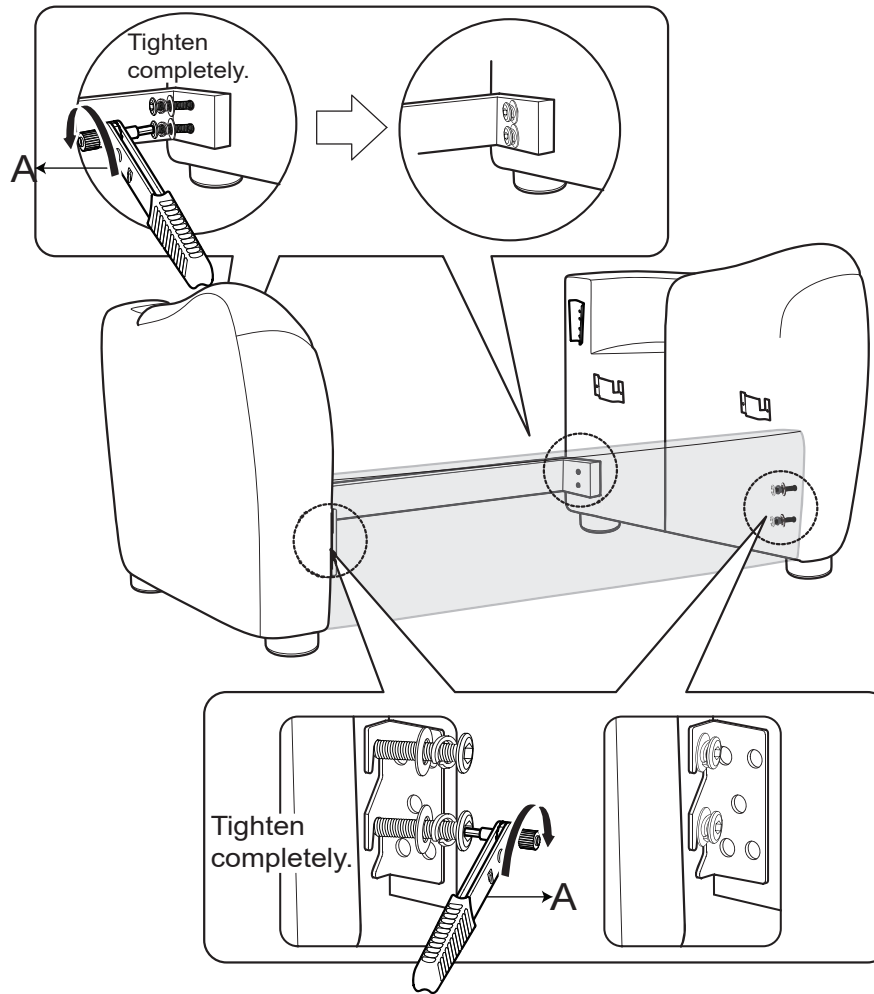
Step 5 :



Do not tighten completely.

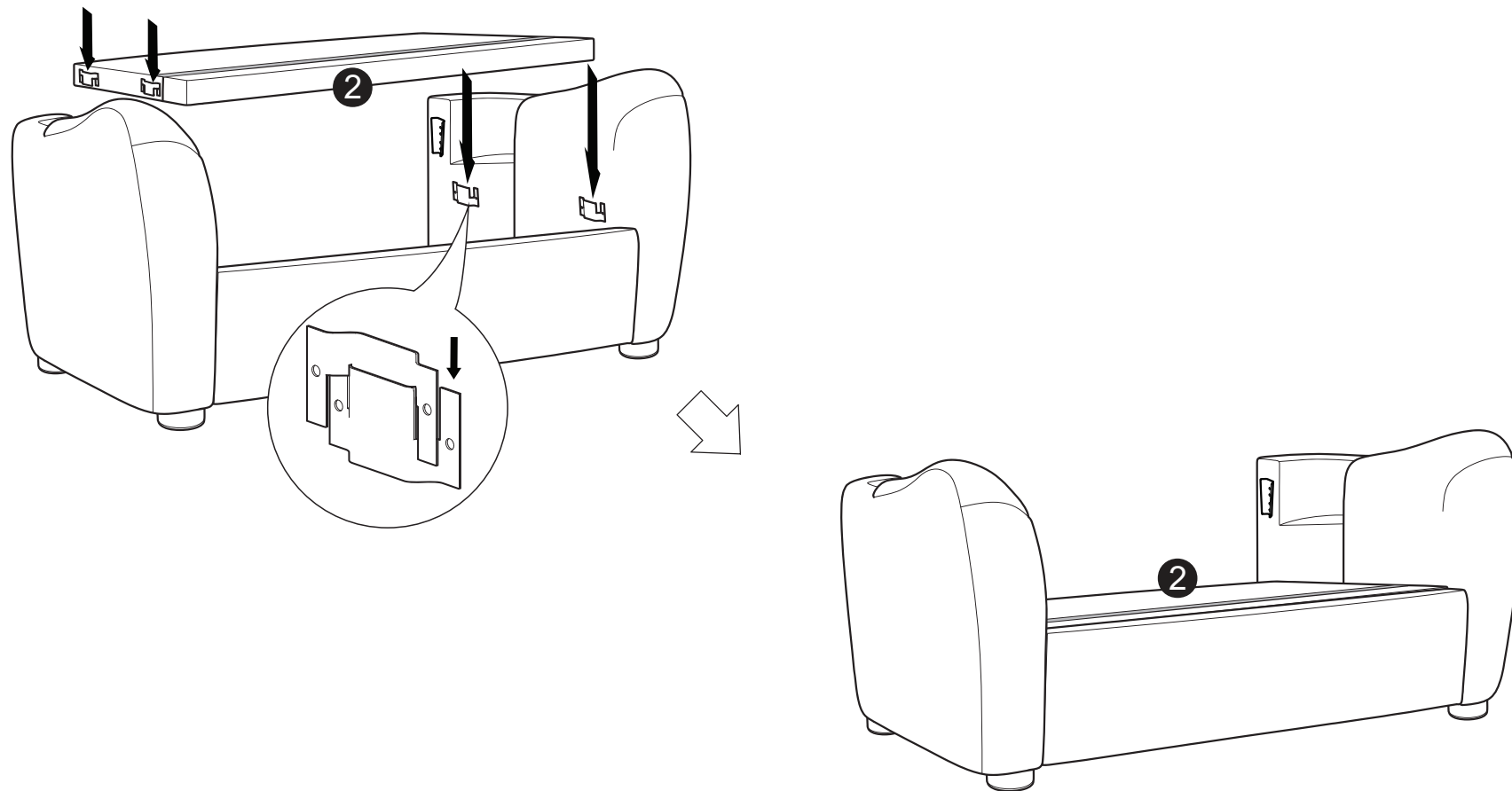


Step 6 :



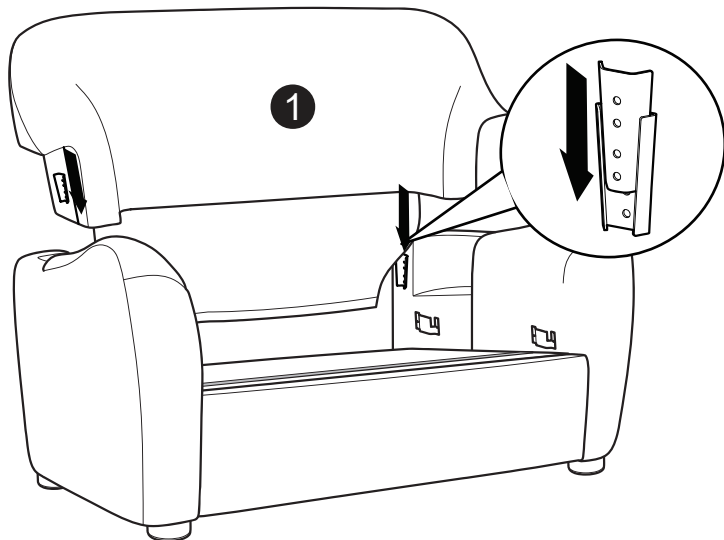
A × 1

Step 7:

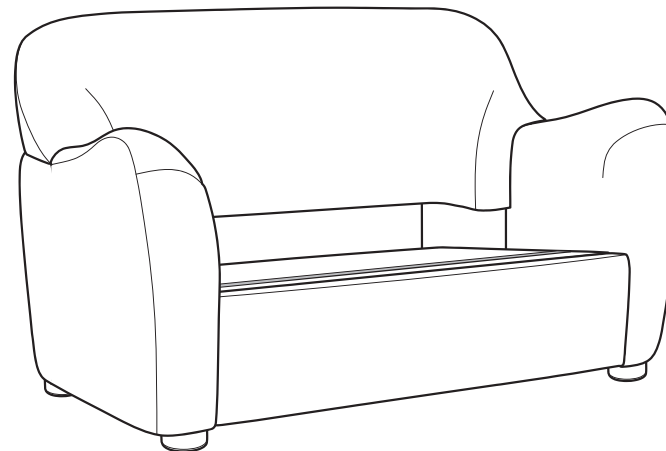


Step 8:

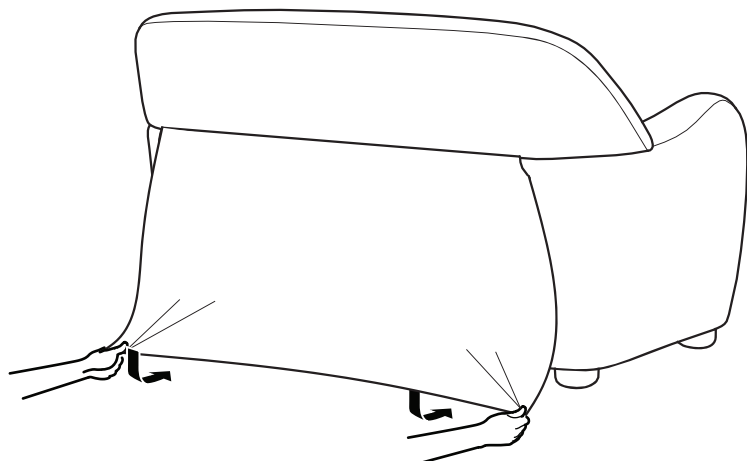
①



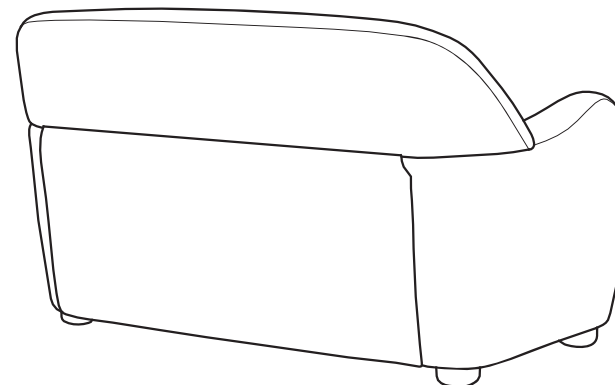
②



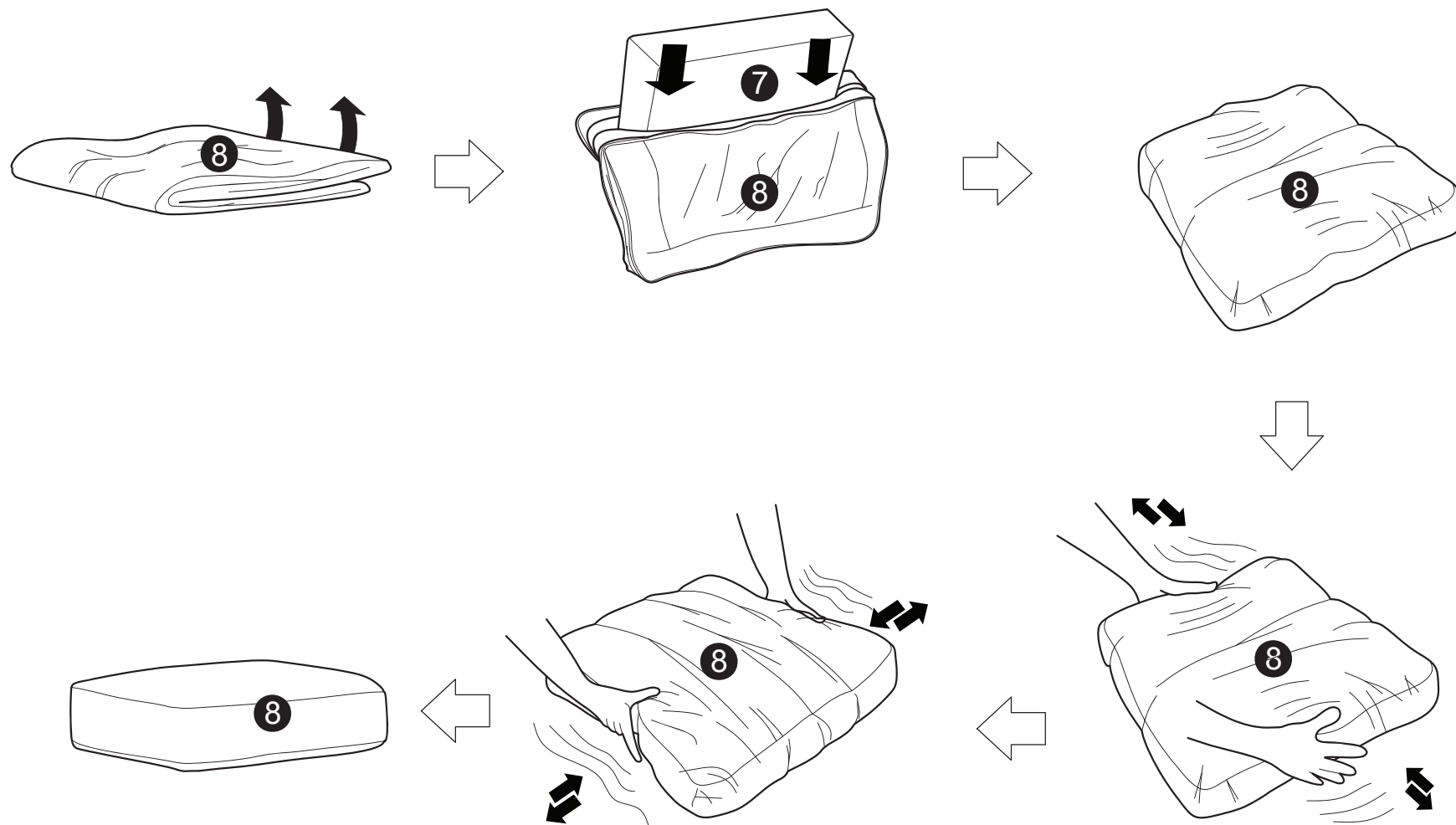
③



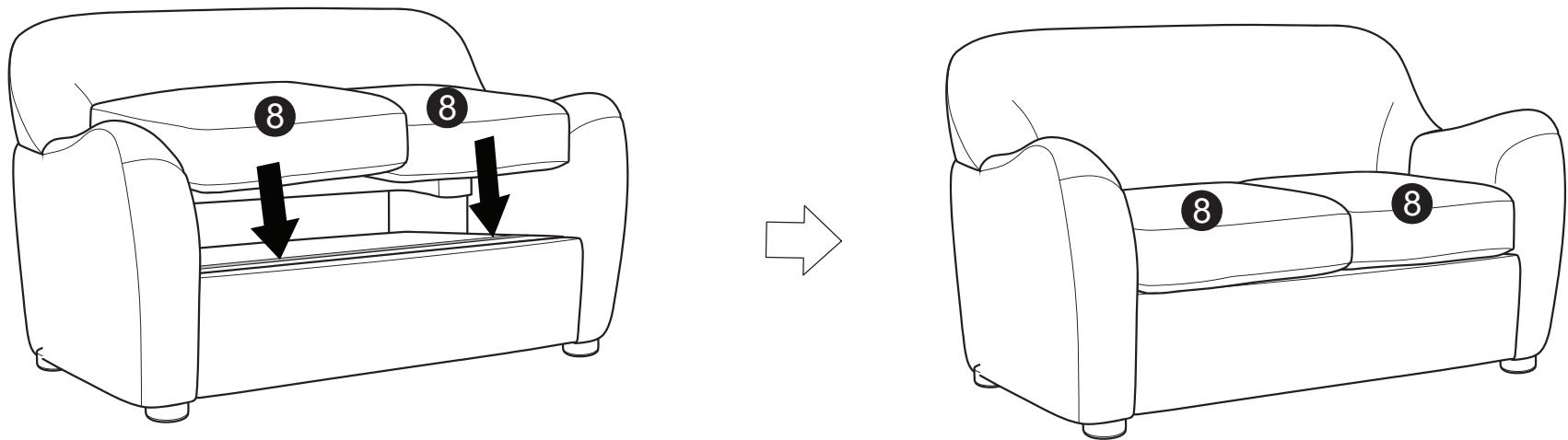
④



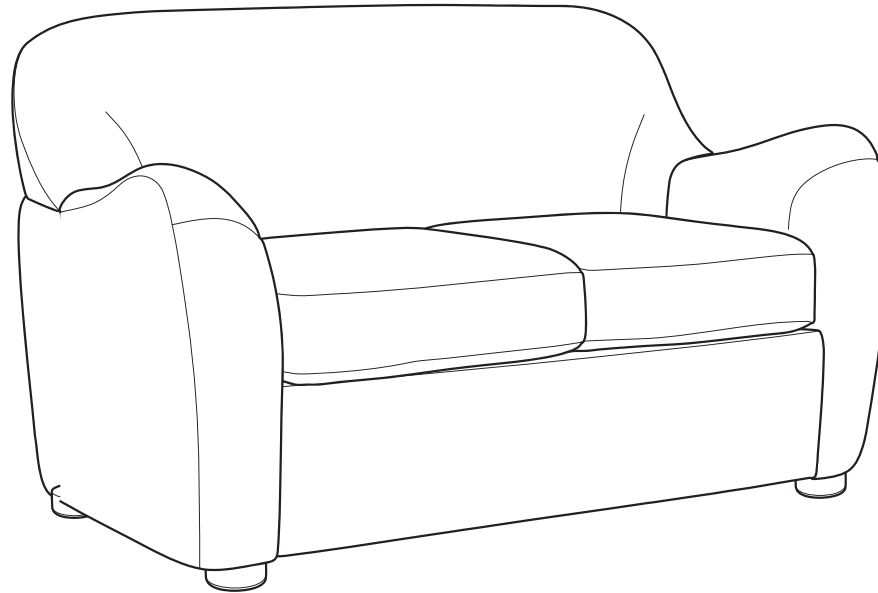
Step 9:



Step 10:



ASSEMBLY COMPLETE :



PLEASE NOTE:

- To remove unwanted wrinkles, steam the covers before placing the cushions inside. Steam the inside of the cover on low heat (110F). DO NOT iron the fabric on the side with pile.
- Seat cushions may take 3-4 days to fully expand, which will allow wrinkles and indentations caused by packing to fade.

Warranty

Our products carry a one year limited warranty pursuant to the terms set forth herein. This warranty is valid only to the original purchaser with proof of purchase, and constitutes the original purchaser's sole and exclusive remedy. Pursuant to this warranty, we warrant that all products sold pursuant to this agreement shall be free of any defects in parts and workmanship if used under normal operating conditions.

THIS IS THE ONLY WARRANTY WE MAKE. IT IS MADE EXPRESSLY IN LIEU OF ALL IMPLIED WARRANTIES OF MERCHANTABILITY OR FITNESS FOR ANY PARTICULAR PURPOSE.

Should any parts or workmanship prove defective, we will, at our discretion, either repair or replace the product at no charge (parts only) to the original purchaser for the duration of the product's full warranty. Our products are under limited warranty for 1 year from the original date of purchase.

At all times, we reserve the right to substitute materials with that of a similar quality if the original material is not available. We will not be responsible for any freight charges incurred in repairing or replacing products.

WE DO NOT WARRANT DAMAGE DUE TO MISUSE OR NEGLIGENCE. This remedy is the original purchaser's SOLE AND EXCLUSIVE REMEDY under the Contract of Sale, and in no event shall consequential damages be recovered by the original purchaser. This warranty gives you specific legal rights, and you may also have rights which vary from state to state.