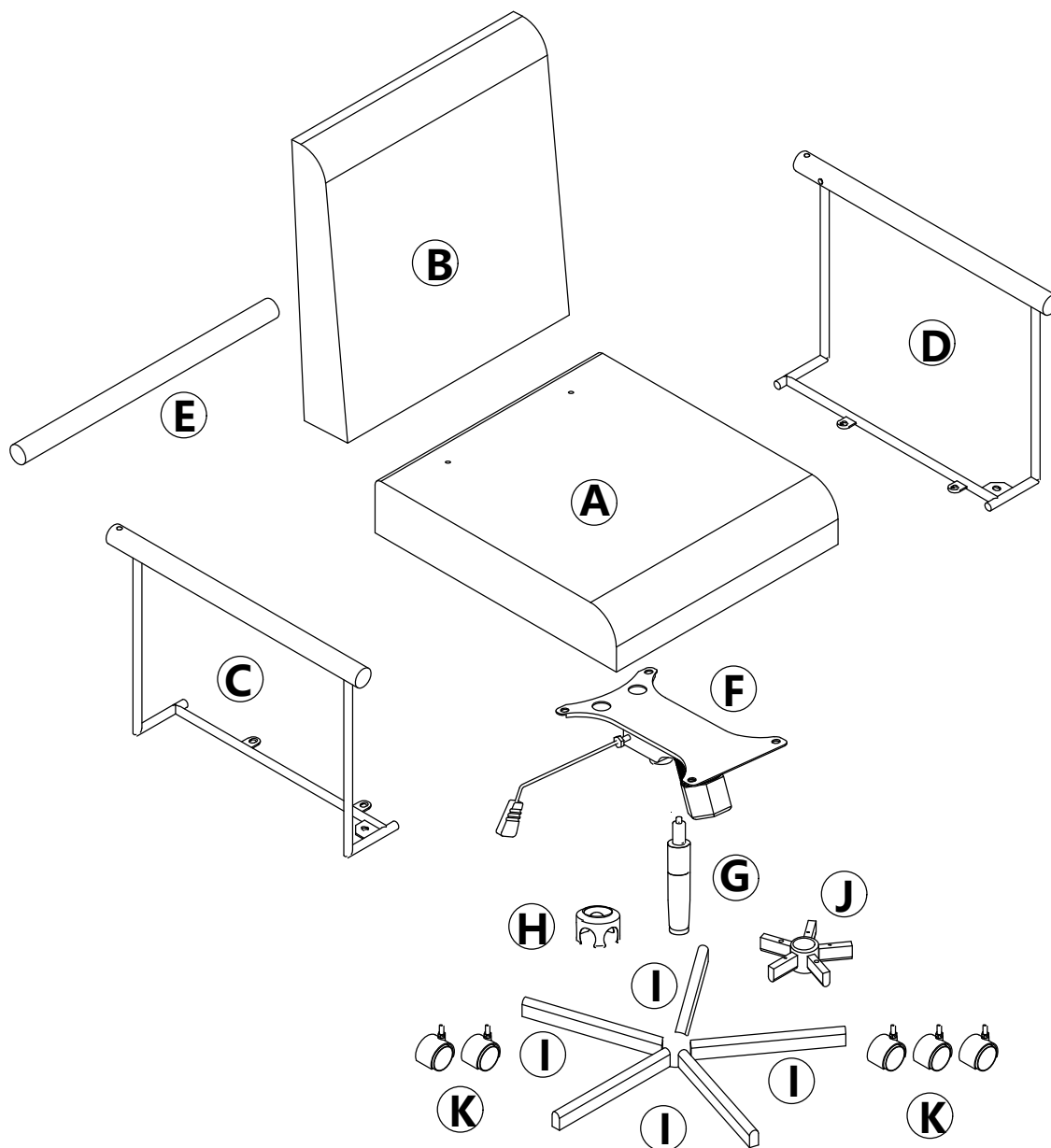


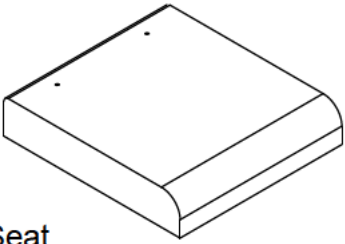
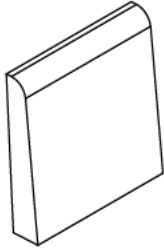
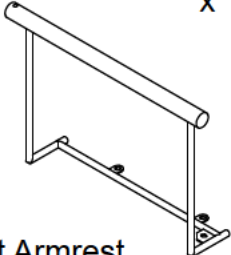
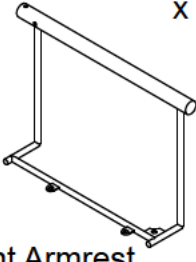
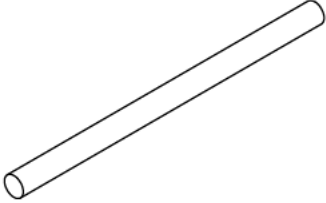
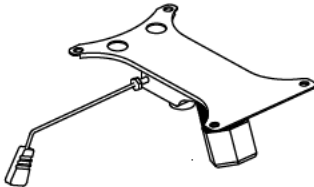


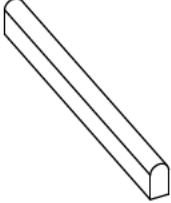
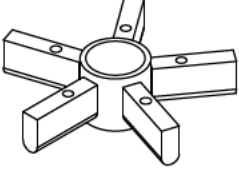
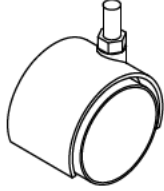
**OFFICE CHAIR**

## Exploded Diagram

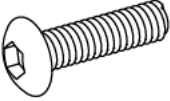
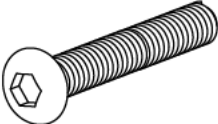
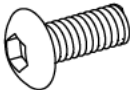

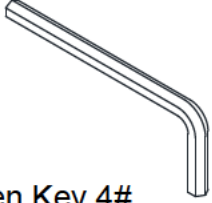


Be sure to check all packing material carefully for small parts, which may have come loose inside the carton during shipment.

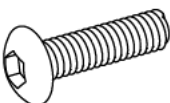
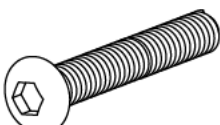
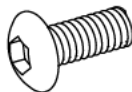
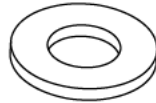
## PARTS LIST

<p>A x1</p>  <p>Seat</p>	<p>B x1</p>  <p>Back</p>	<p>C x1</p>  <p>Left Armrest</p>	<p>D x1</p>  <p>Right Armrest</p>
<p>E x1</p>  <p>Cross Bar</p>	<p>F x1</p>  <p>Mechanism</p>	<p>G x1</p>  <p>Gas Lift</p>	<p>H x1</p>  <p>Base Cap</p>
<p>I x5</p>  <p>Leg</p>	<p>J x1</p>  <p>Connector</p>	<p>K x5</p>  <p>Casters</p>	

## HARDWARE LIST

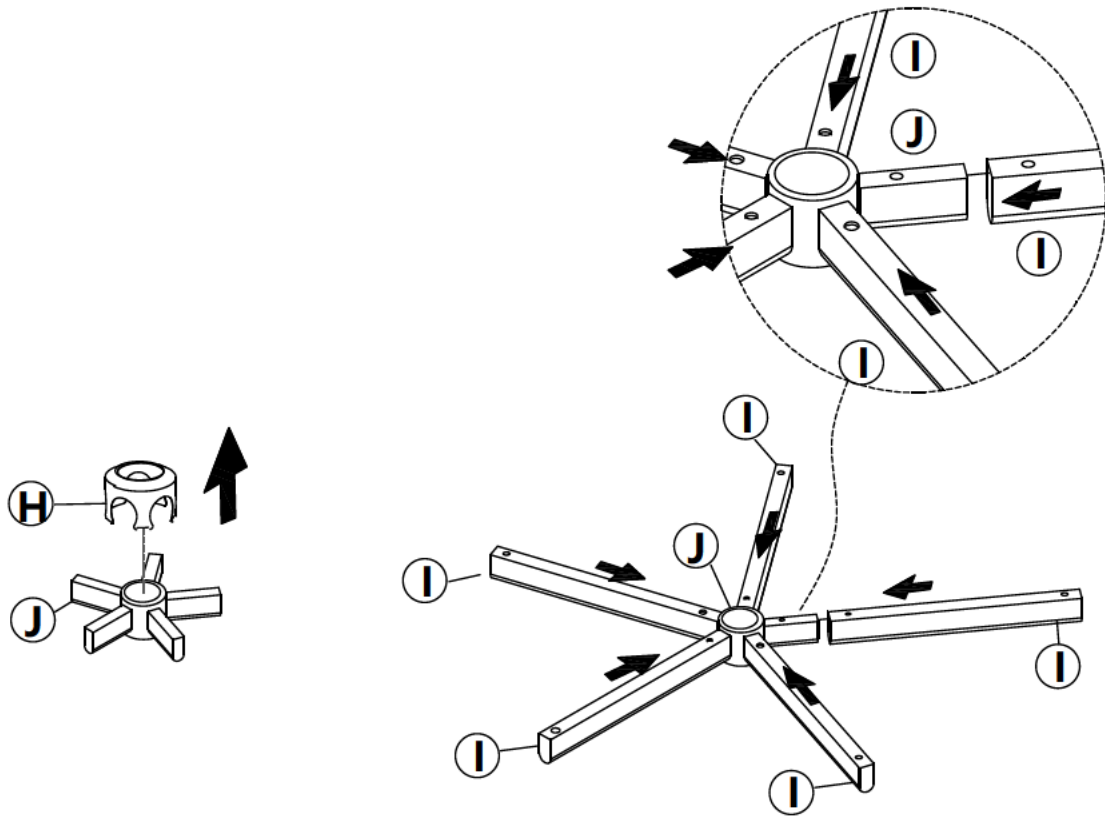
<p>1 x2</p>  <p>Blot M6*50mm</p>	<p>2 x2</p>  <p>Blot M6*65mm</p>	<p>3 x15</p>  <p>Blot M6*25mm</p>	<p>4 x6</p>  <p>Flat Washer</p>
<p>5 x1</p>  <p>Allen Key 4#</p>			

## SPARE LIST



<p>1 x1</p>  <p>Blot M6*50mm</p>	<p>2 x1</p>  <p>Blot M6*65mm</p>	<p>3 x1</p>  <p>Blot M6*25mm</p>	<p>4 x1</p>  <p>Flat Washer</p>
---	---	--	--

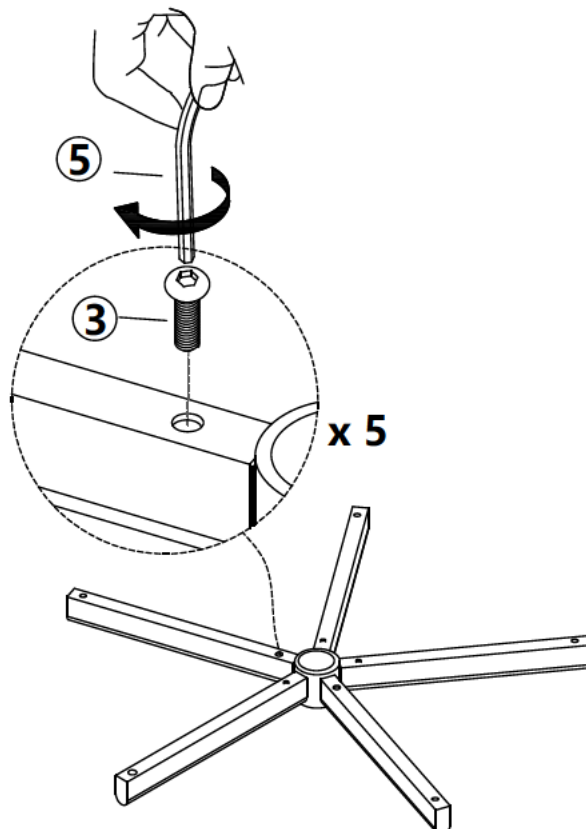
# ASSEMBLY INSTRUCTION

## STEP 1



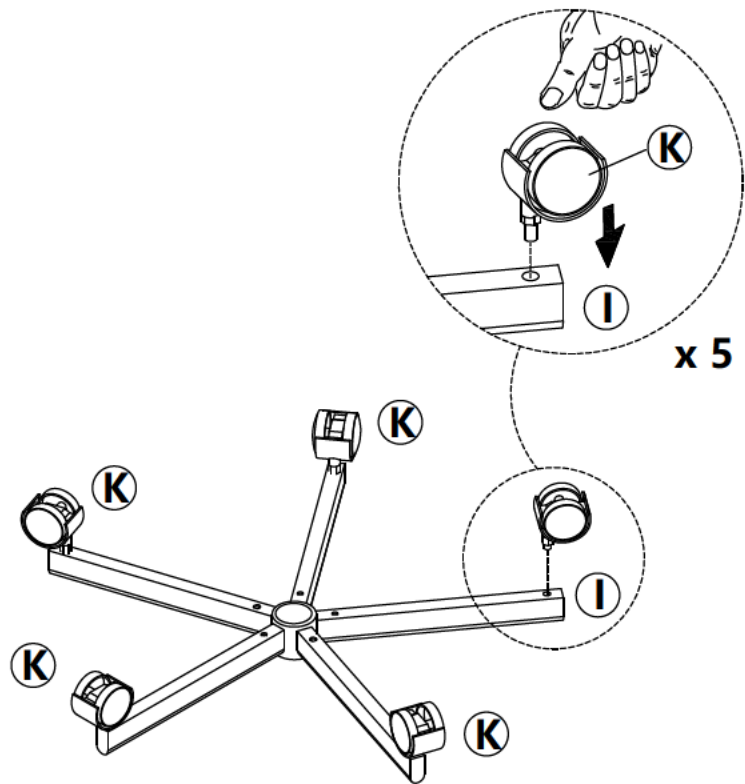
## STEP 2

③	x 5	⑤	x 1
			
M6x25mm		4#	



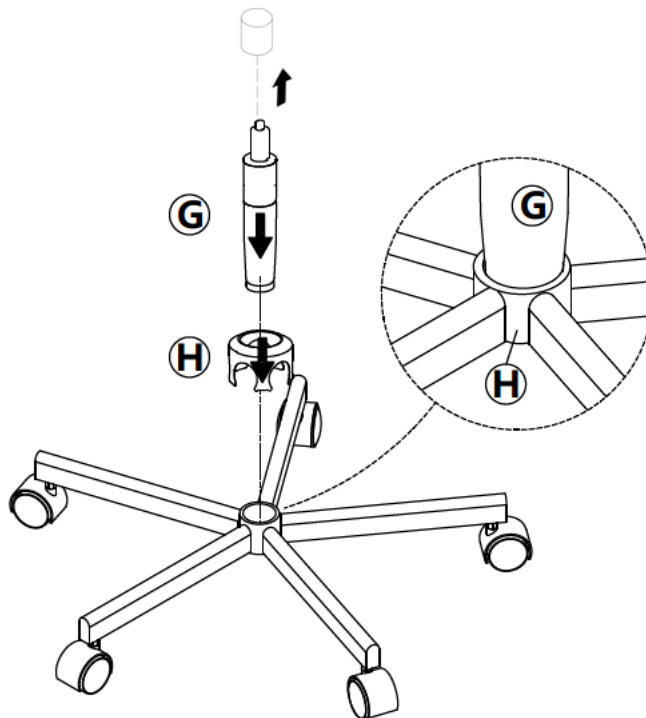
---

## STEP 3

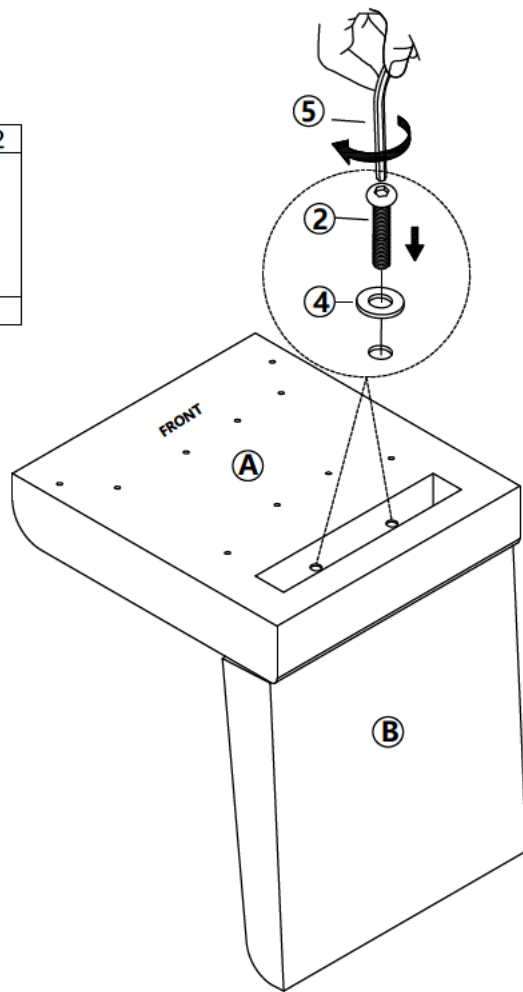
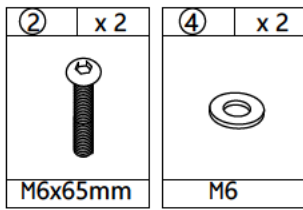


---

## STEP 4

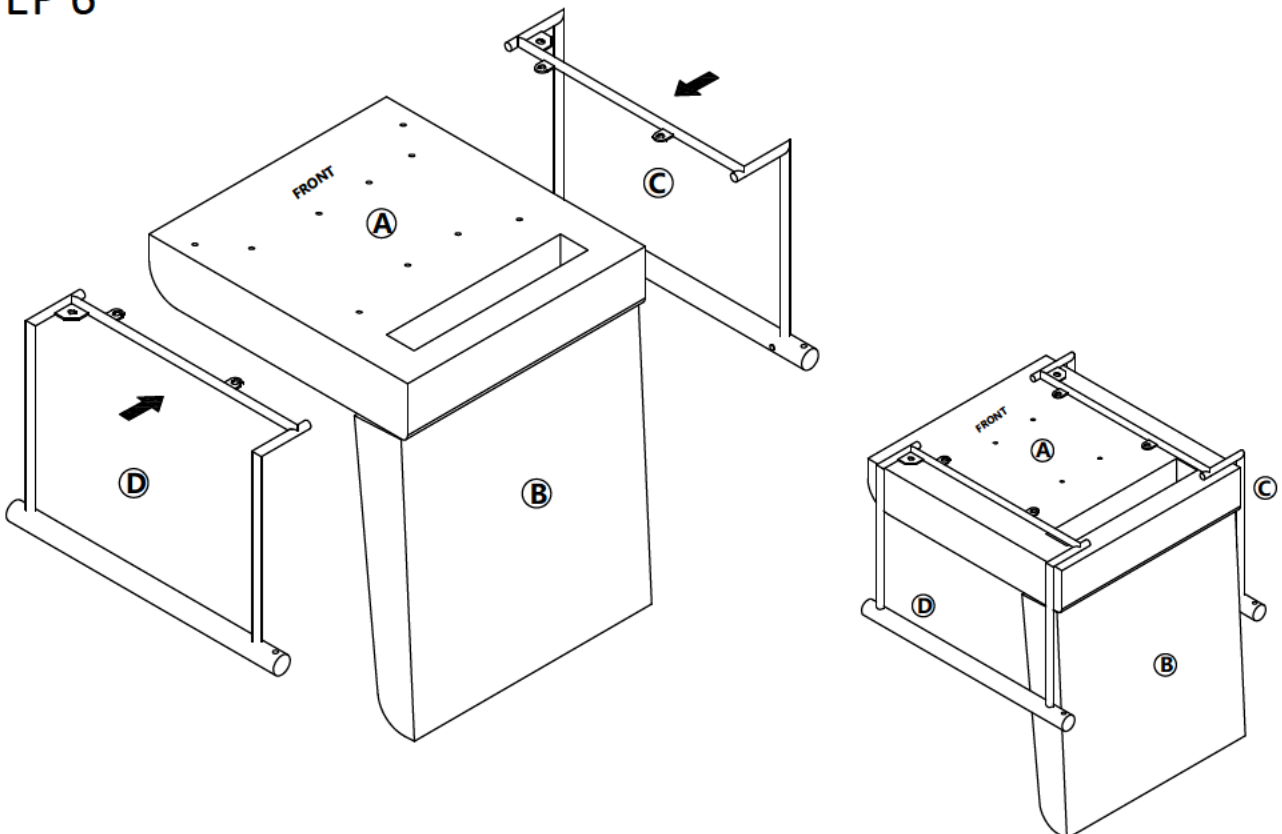


## STEP 5

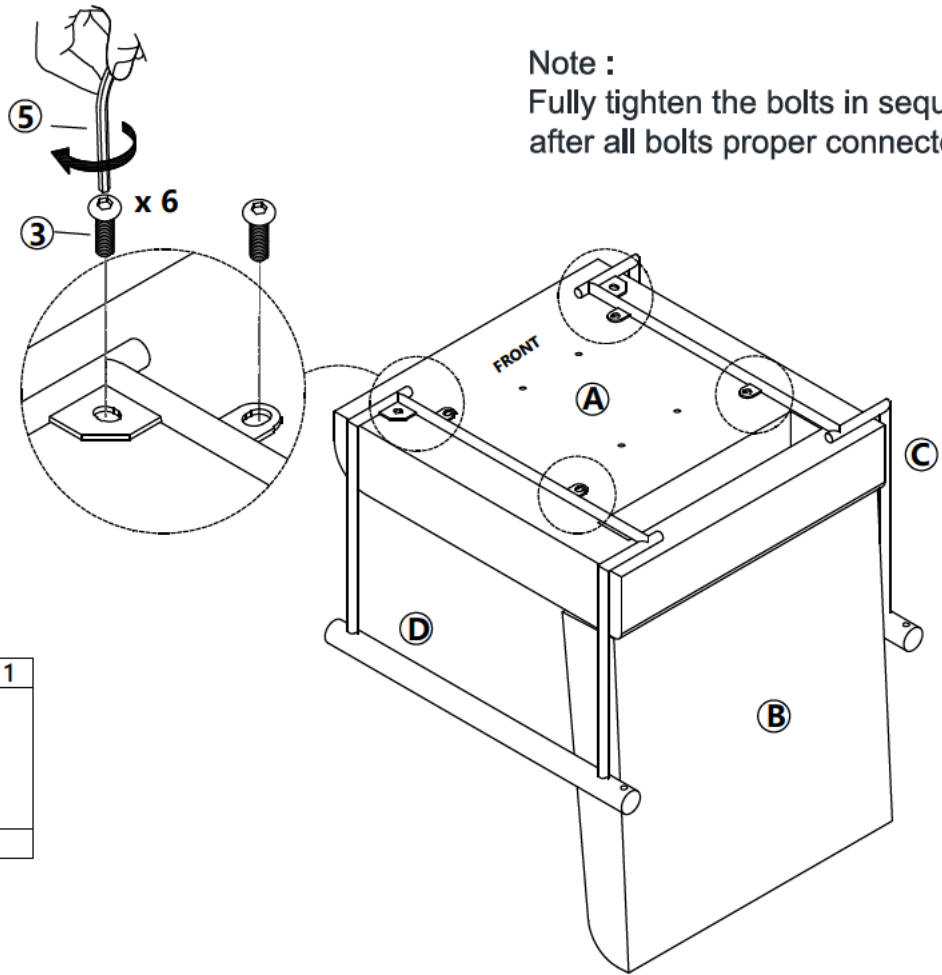


Note :  
Fully tighten the bolts in sequence  
after all bolts proper connected.



## STEP 6



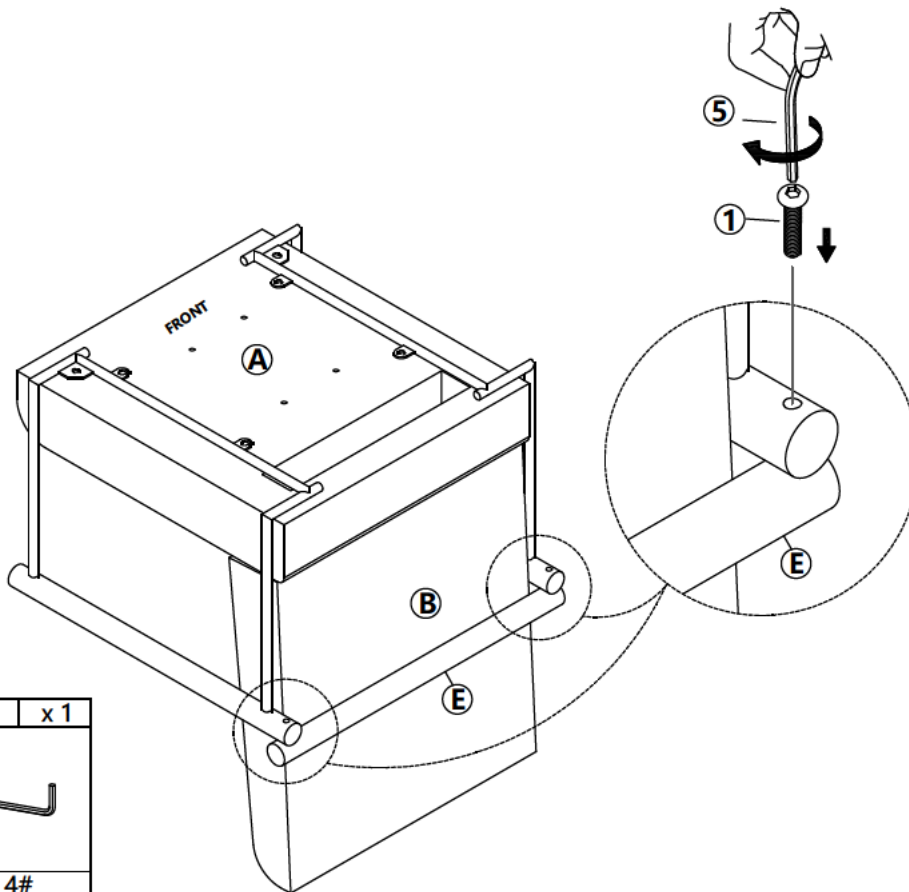
# STEP 7





Note :  
Fully tighten the bolts in sequence  
after all bolts proper connected.



③	x 6	⑤	x 1
			
M6x25mm		4#	

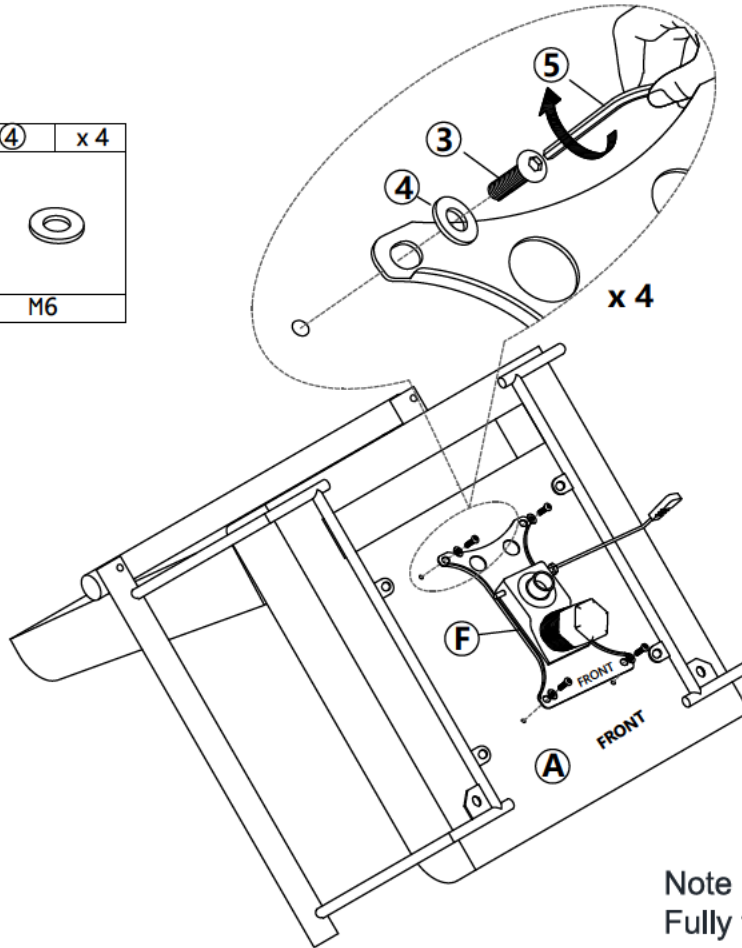
# STEP 8



①	x 2	⑤	x 1
			
M6x50mm		4#	

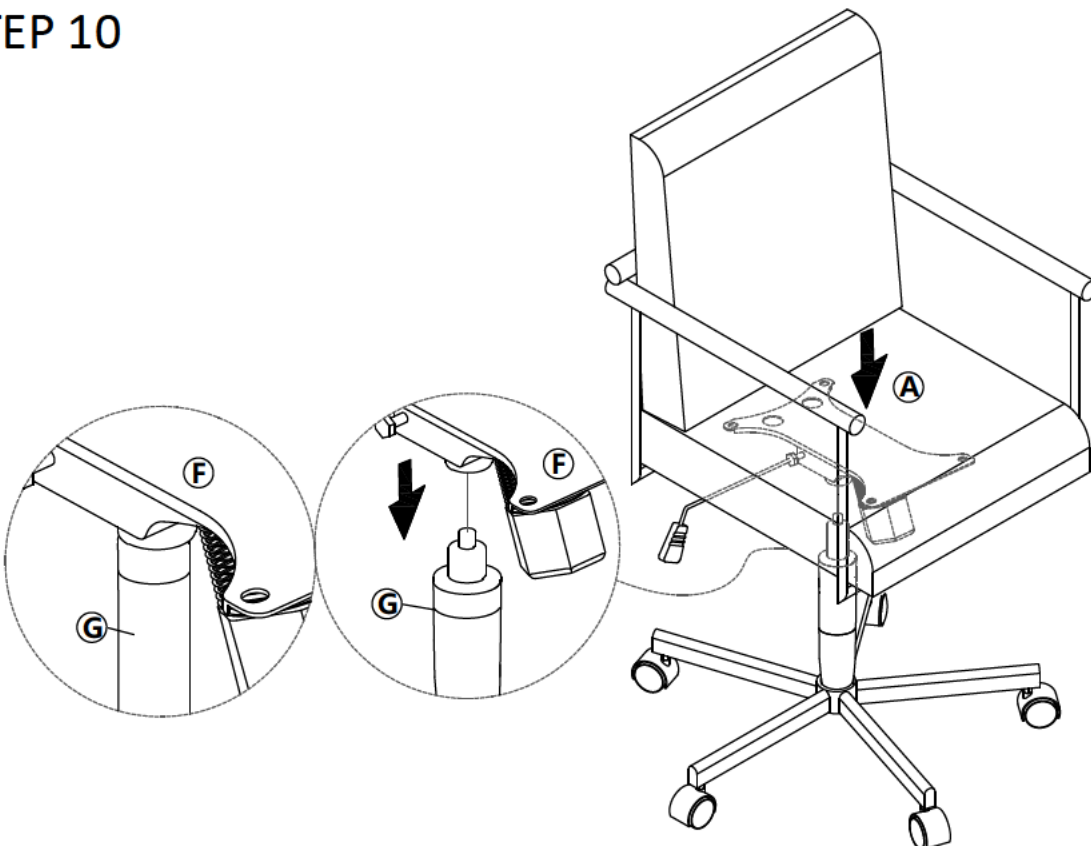
## STEP 9

③	x 4	④	x 4
			
M6x25mm		M6	



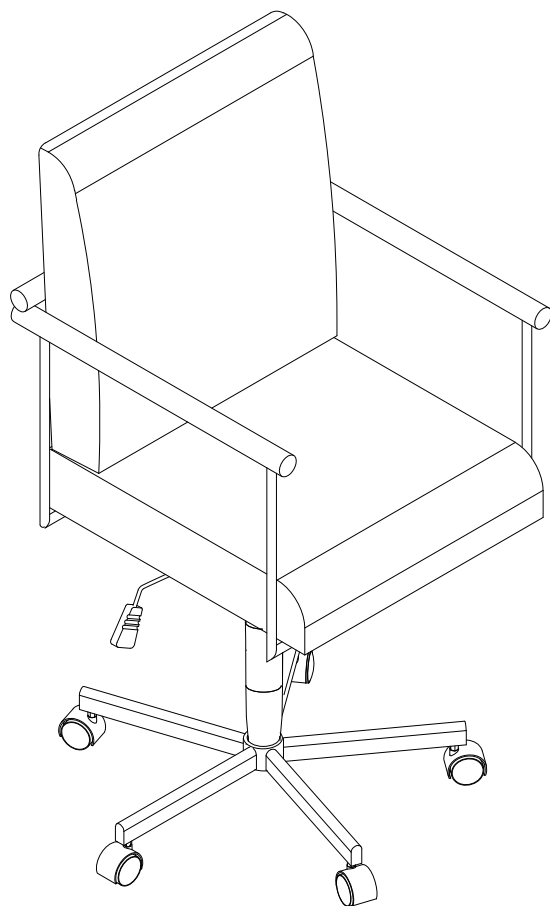
Note :  
Fully tighten the bolts in sequence  
after all bolts proper connected.

## STEP 10



---

## STEP 11



## MAINTAINANCE AND WARNING

- Keep furniture away from heat.
- Do not clean furniture with harsh cleansers or polish. Do not use detergents, Solvents, abrasives, spray packs or leather cleaner. Use non-color mild soap with warm water clean spills(Mix 1:10 soap to water)
- Do not place furniture under direct sunlight, material will possibly fade over time.
- Do not use on site dry Cleaning machine.
- Children should not climb or jump on the furniture.
- Do not write on furniture without a padded barrier to protect the surface.
- Not for commercial use, For residential use only.
- The maximum load is 275 LBS.

## WARRANTY

We strive to offer high-quality products, and we also try our best to satisfy each and every customer that orders from us with product or service as needed. We provide 30 days warranty starting from the time you receive the item. Each customer must provide a record of their order such as the order number, or item receipt for any items that are out of the warranty period you may also still receive replacement parts by purchasing them with our company if they are available.

For return, please check the return policy with the retailer or market place you bought from. Appreciate your purchasing from us. Pop up your life by our furniture piece!