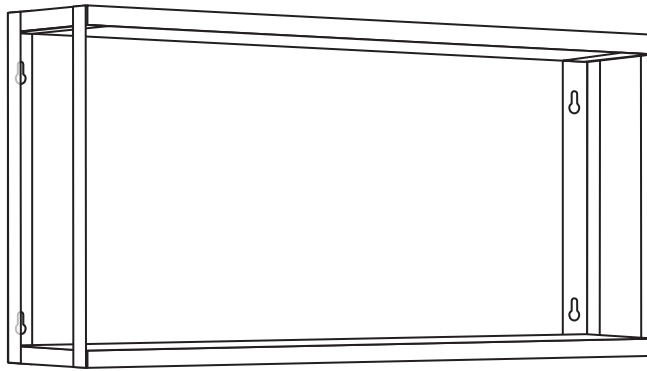


# 2 Tier Wall Shelf

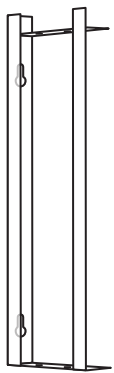
WARNING: Please do not mount this item above cribs, beds or changing tables.



## Attention!

As a courtesy we have included basic anchors and screws for your convenience. However, different wall materials required different fasteners/screws. If necessary please obtain screws and anchors suitable for the walls in your home from your local hardware store.

## Each bracket bag includes:



1 Left bracket



1 Right bracket



4 anchors

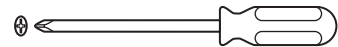


4 long screws



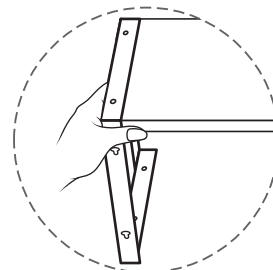
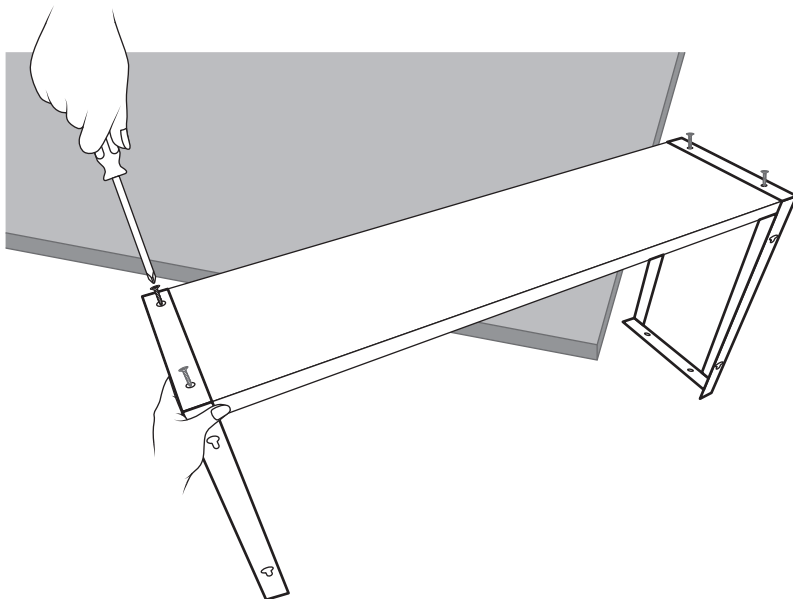
8 short screws

## Tools needed

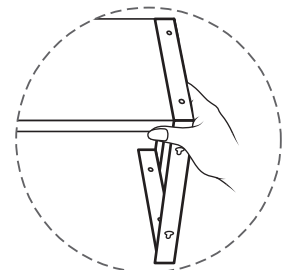


## Assembly Instructions

### STEP 1



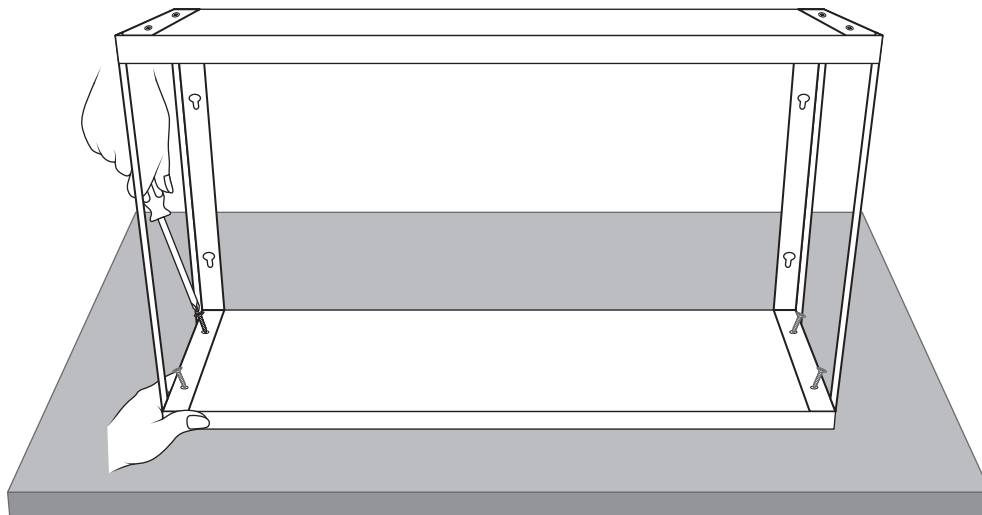
Left



Right

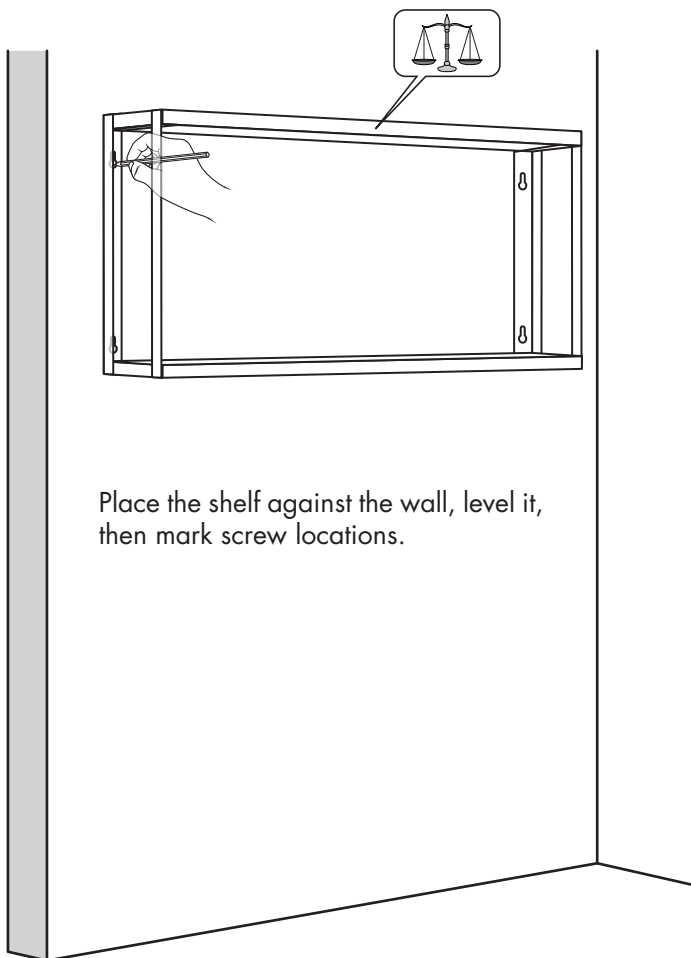
Place the brackets at the corners of the wooden board so that the screw holes come up on top of the wooden board. Align the corners of the brackets (both side) with wooden board and screw them using short screws as shown in the pictures here.

## STEP 2



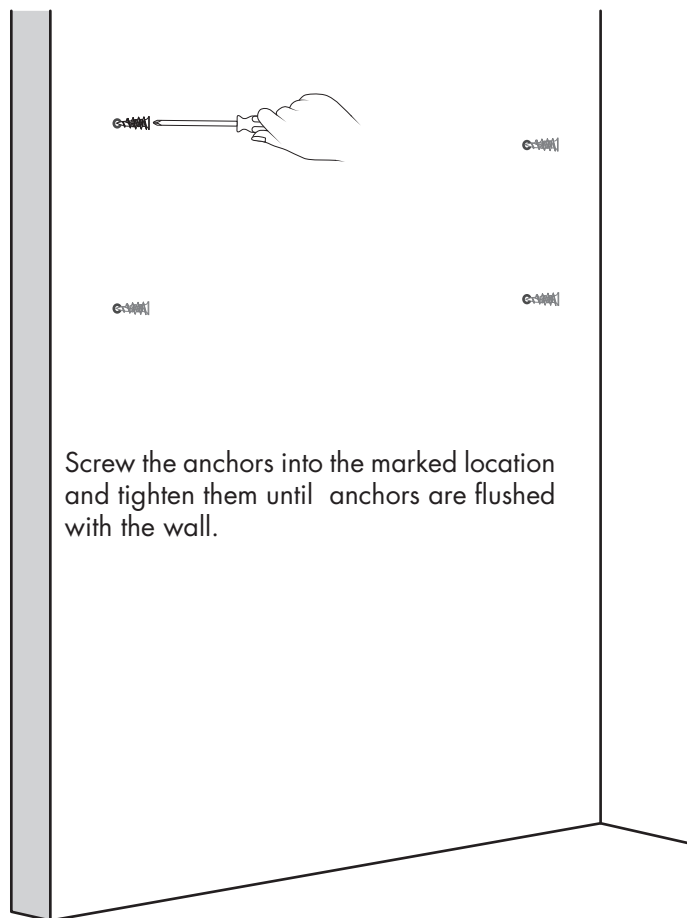
Place the brackets at the corners of the wooden board so that the screw holes come up on top of the wooden board. Align the corners of the brackets (both side) with wooden board and screw them using short screws as shown in the pictures here.

## STEP 3



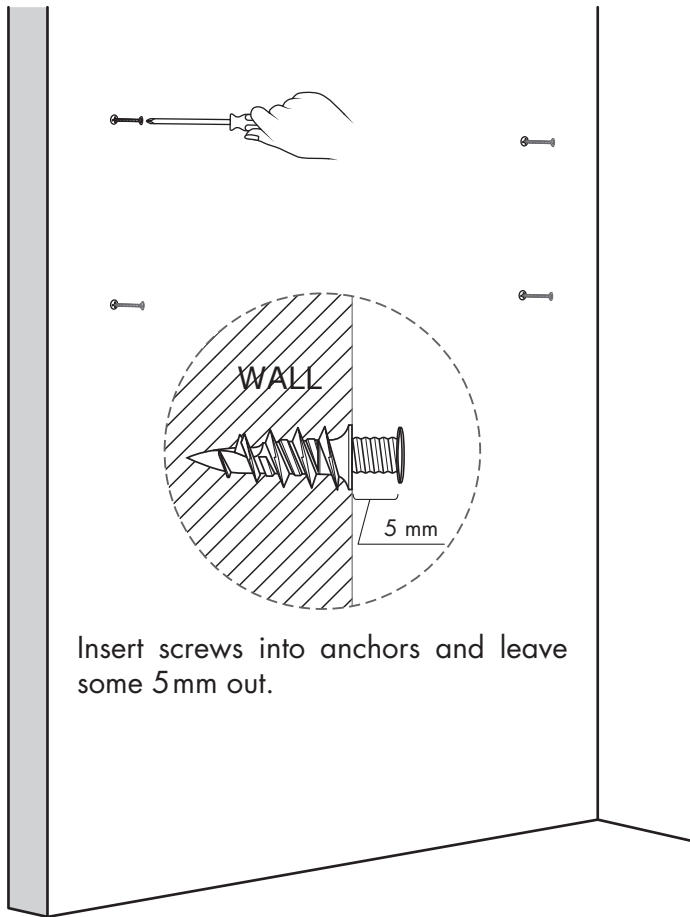
Place the shelf against the wall, level it, then mark screw locations.

## STEP 4



Screw the anchors into the marked location and tighten them until anchors are flushed with the wall.

## STEP 5



## STEP 6

