

---

# TV STAND

## User Manual

---

# INTRODUCTION

Thank you for purchasing our products. Committed to providing customers with the best quality products and service has always been our lifelong goal. Before using the product, please read this instruction manual carefully to ensure correct use. Keep the instruction manual in a place where the user can find it at any time.

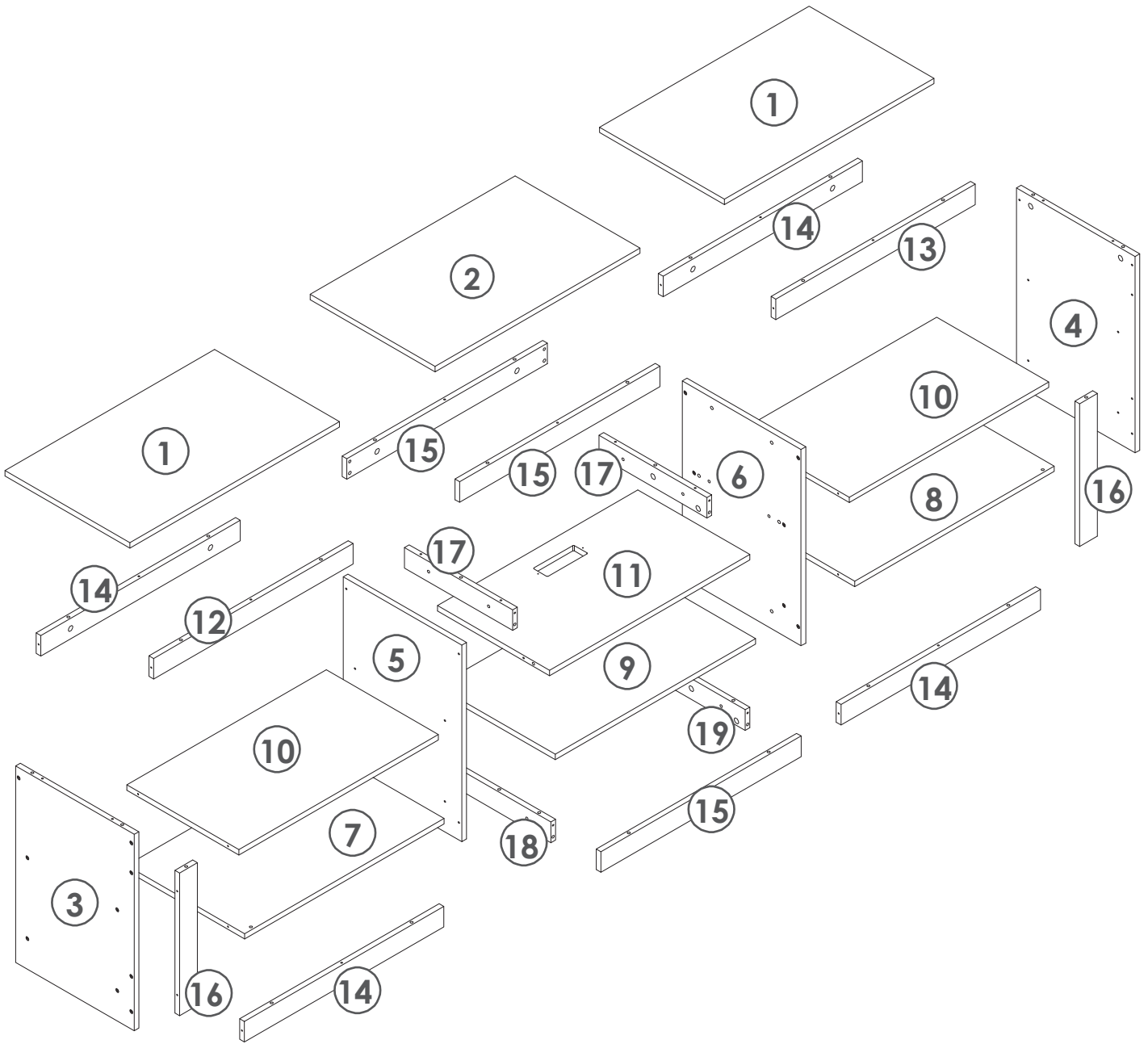
## PRECAUTIONS








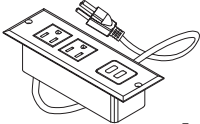
1. There are many components and accessories in the package. Each component and accessory is labeled with a letter or a number, check carefully before using any of them. Keep them away from children to prevent accidents.
2. Please install the product on a clean and soft underlay (such as carpet or cardboard) to avoid scratching or damaging the surface of the product.
3. The main components of the product is relatively heavy. Please pay attention to safety during installation.
4. The product is not stable during installation. Please do not move it randomly before it is completely installed.
5. If you have any questions during installation, please contact the customer service in time.

\*PLEASE BE SURE TO FOLLOW THE INSTALLATION STEPS IN THE MANUAL TO AVOID UNNECESSARY LOSSES CAUSED BY IMPROPER INSTALLATION.

\*IF YOU NEED FUTURE ASSISTANCE, PLEASE CONTACT THE CUSTOMER SERVICE ONLINE.

# PARTS LIST

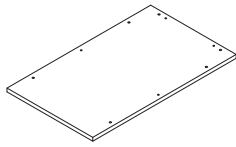


<p>A M4</p>  <p>x1 pc</p>	<p>B M5*46</p>  <p>x32 pcs</p>	<p>C Ø8*30</p>  <p>x35 pcs</p>	<p>D M3.5x12</p>  <p>x2 pcs</p>
<p>E M6x25</p>  <p>x8 pcs</p>	<p>F1</p>  <p>x36 pcs</p>	<p>F2</p>  <p>x36 pcs</p>	<p>G</p>  <p>x1 pc</p>

Unit: (mm)

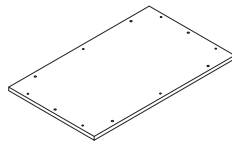
# PARTS LIST

① 671.5\*400



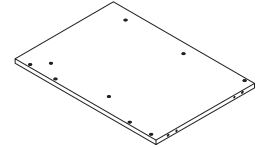
x2

② 657\*400



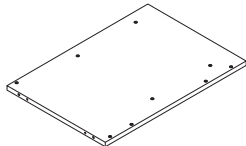
x1

③ 545\*380



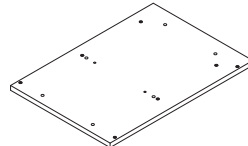
x1

④ 545\*380



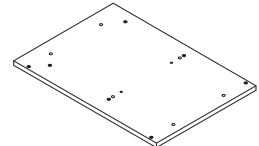
x1

⑤ 545\*380



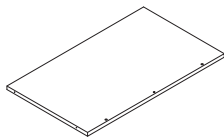
x1

⑥ 545\*380



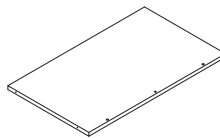
x1

⑦ 639\*378



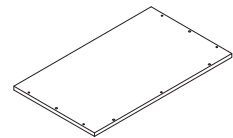
x1

⑧ 639\*378



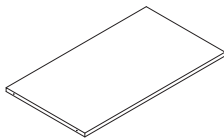
x1

⑨ 642\*378



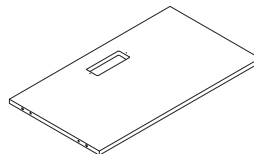
x1

⑩ 639\*359



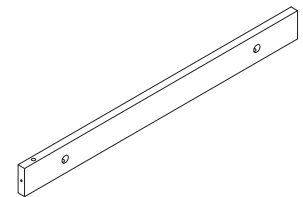
x2

⑪ 642\*359



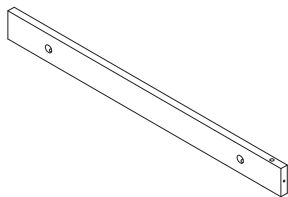
x1

⑫ 639\*57



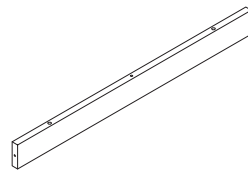
x1

⑬ 639\*57



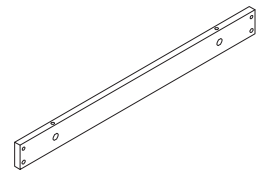
x1

⑭ 639\*57



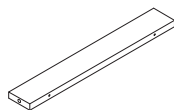
x4

⑮ 642\*57



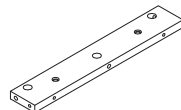
x3

⑯ 396\*57



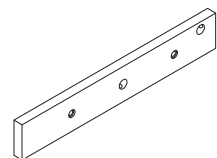
x2

⑰ 346\*57



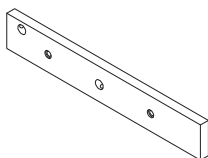
x2

⑱ 362\*57



x1

⑲ 362\*57



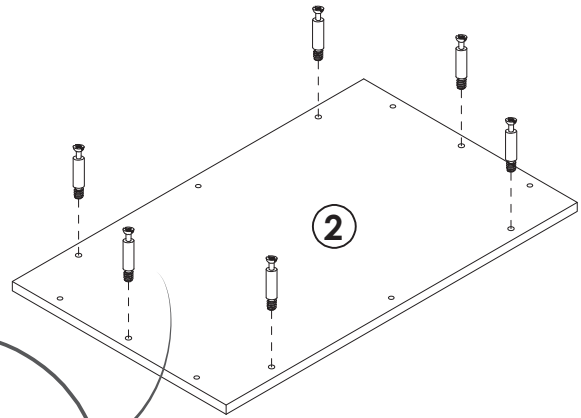
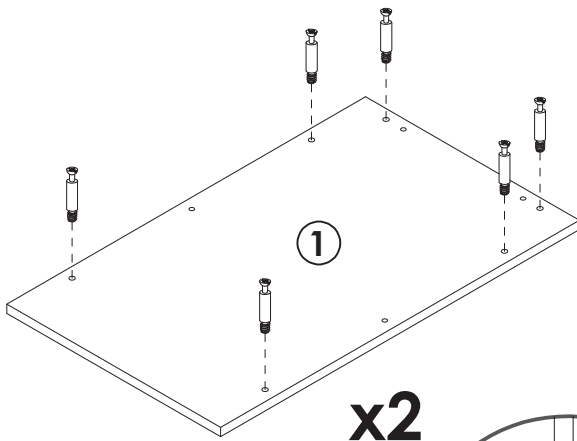
x1

# INSTALLATION STEPS

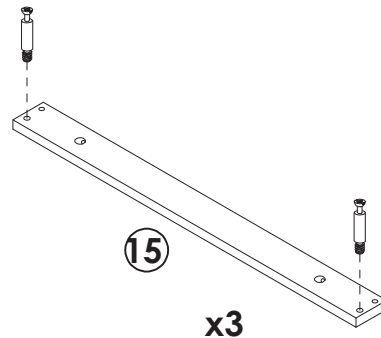
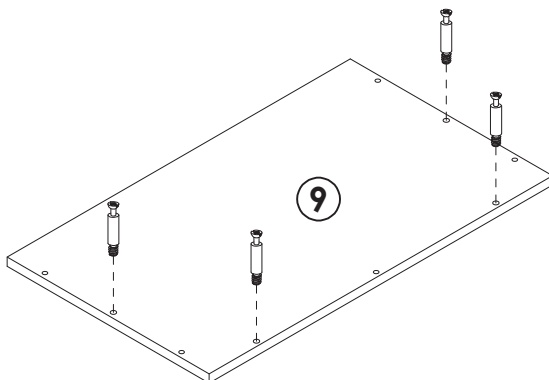
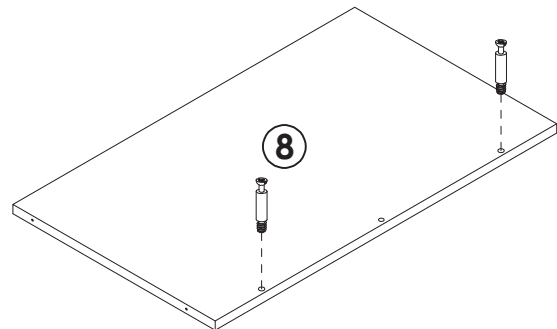
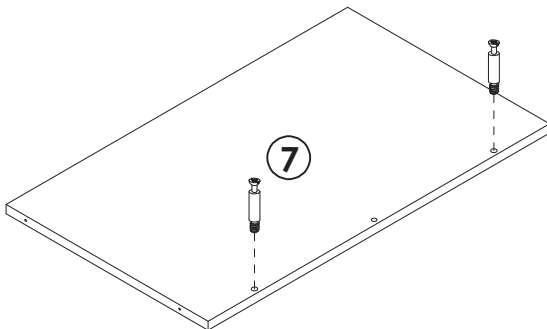
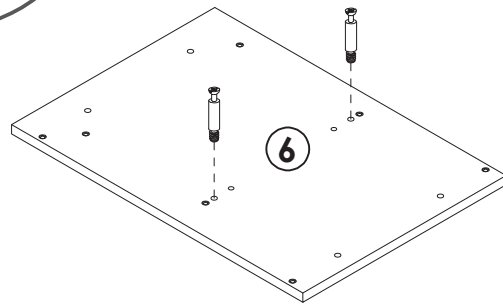
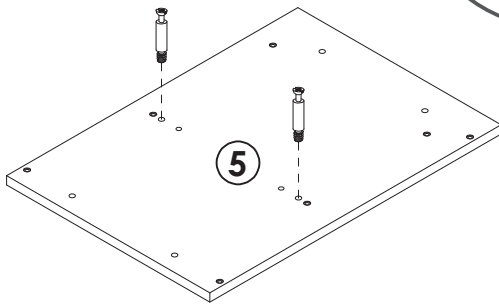
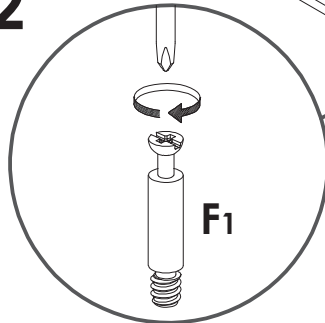
1

YOU WILL NEED

F1 x36



x2

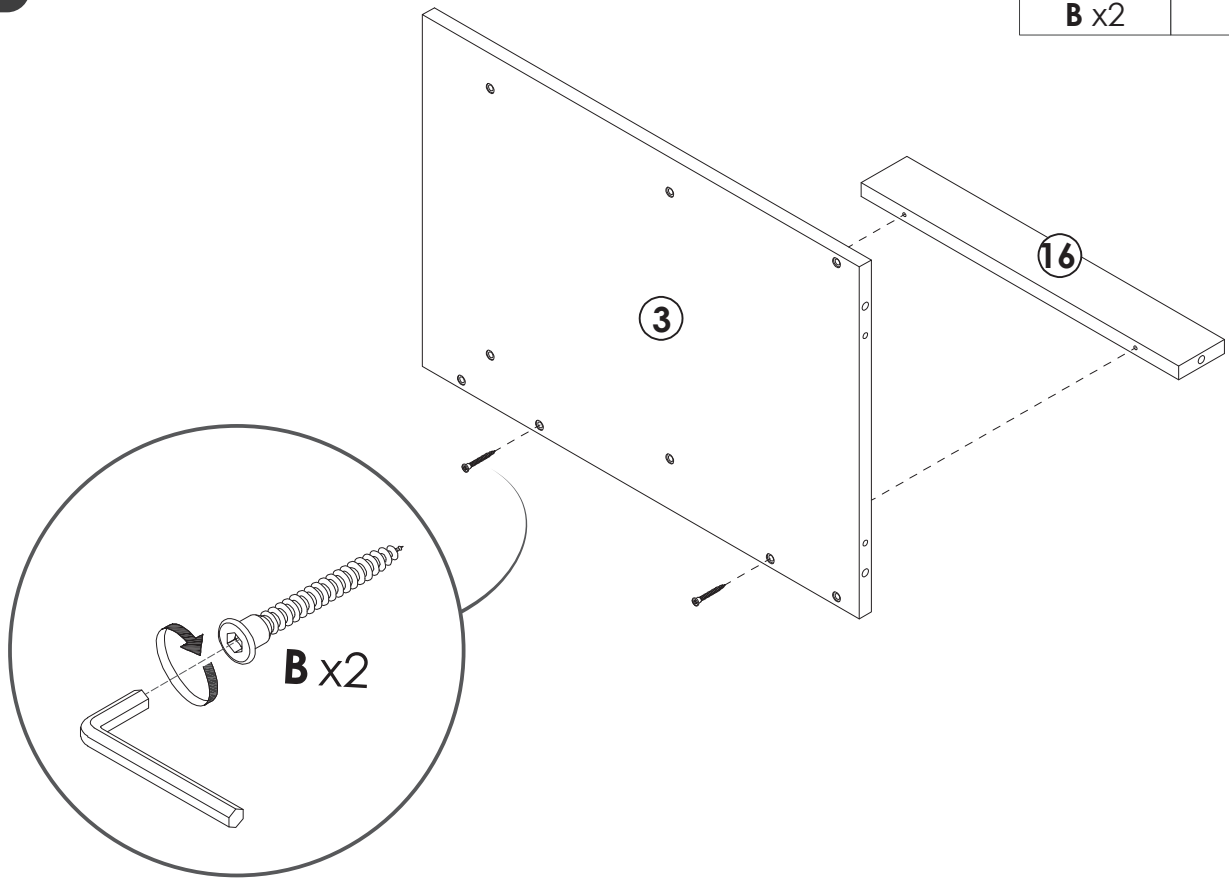


x3

2

YOU WILL NEED

B x2

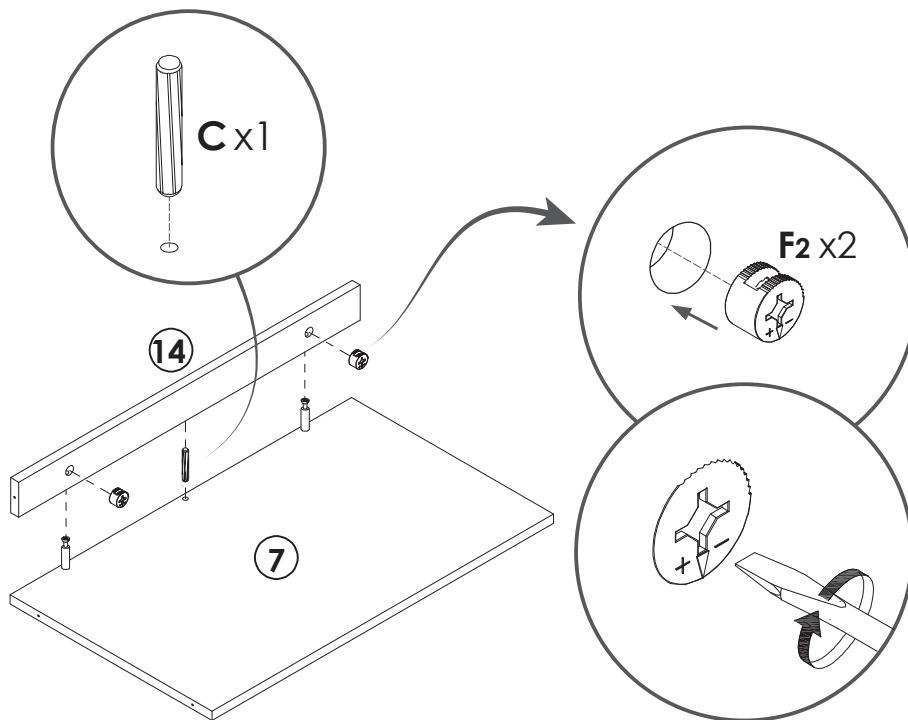


3

YOU WILL NEED

C x1

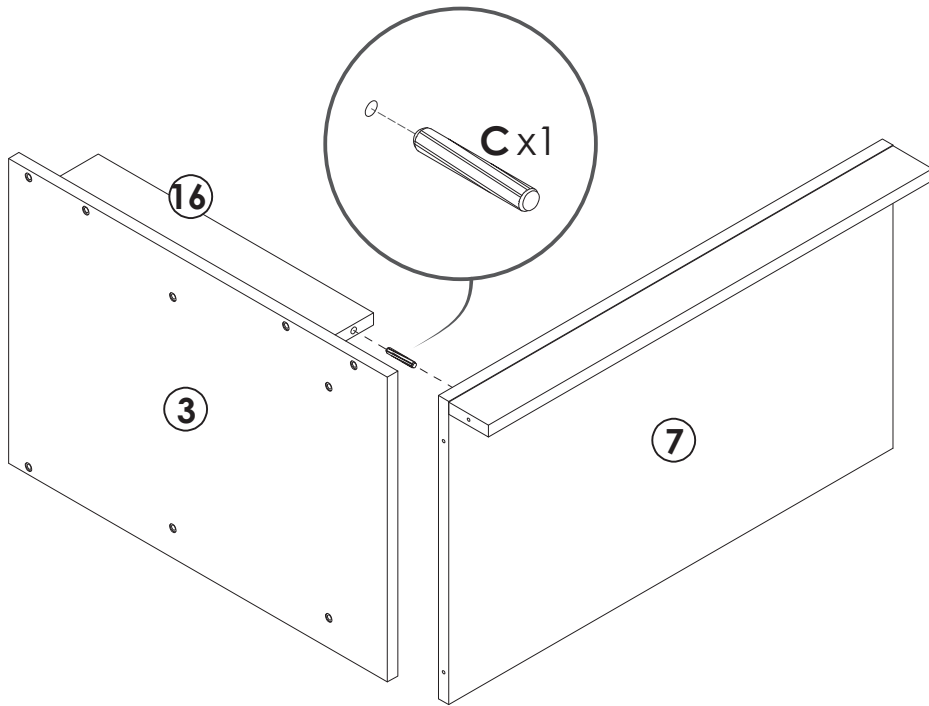
F<sub>2</sub> x2



4

YOU WILL NEED

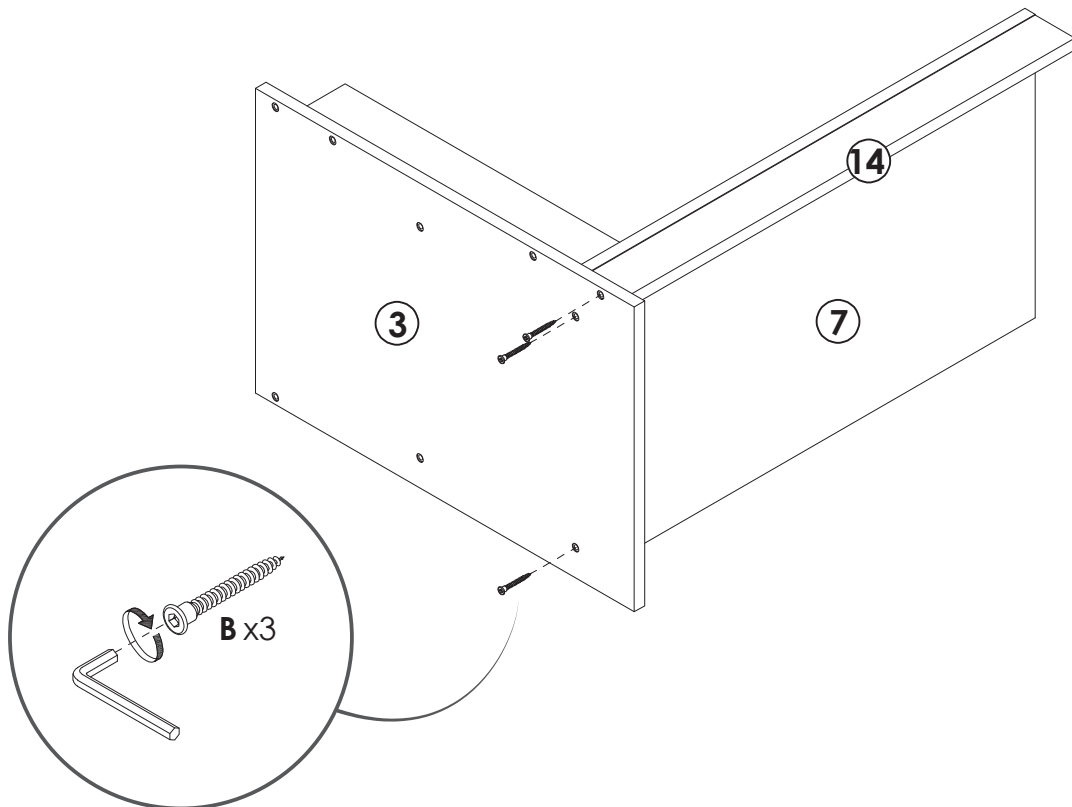
C x1



5

YOU WILL NEED

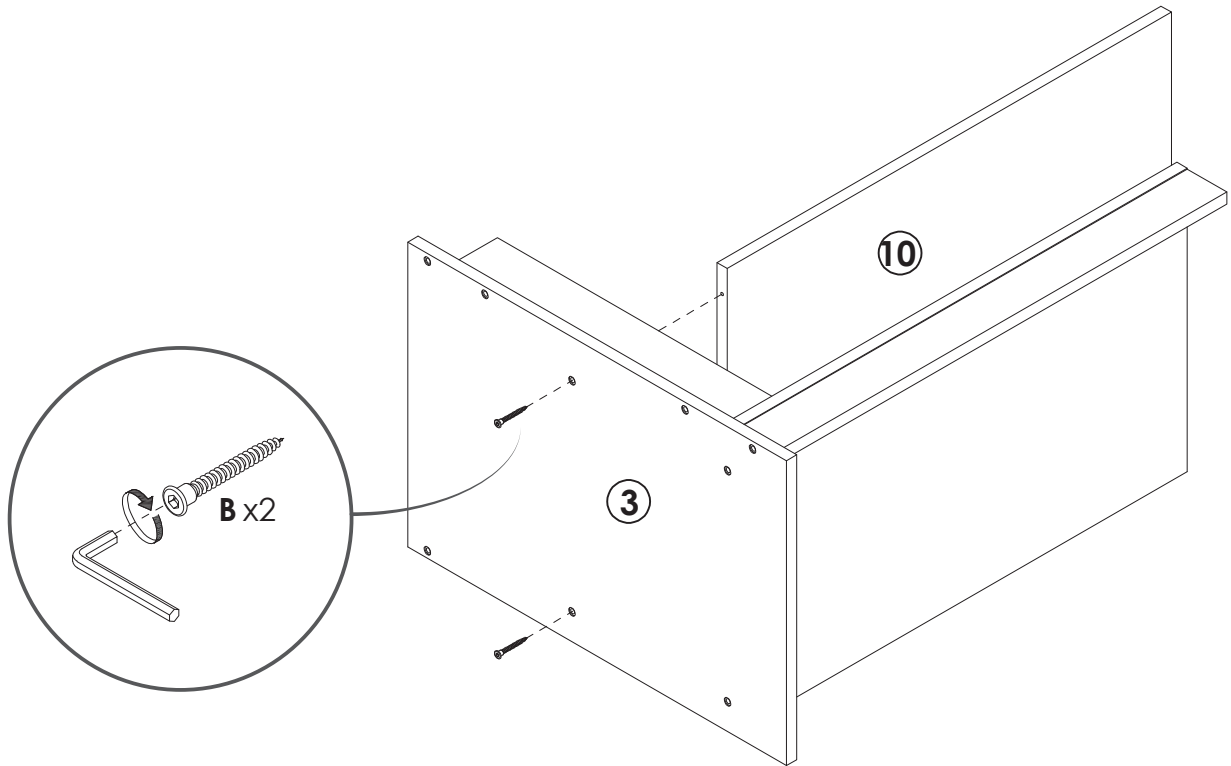
B x3



6

YOU WILL NEED

B x2



7

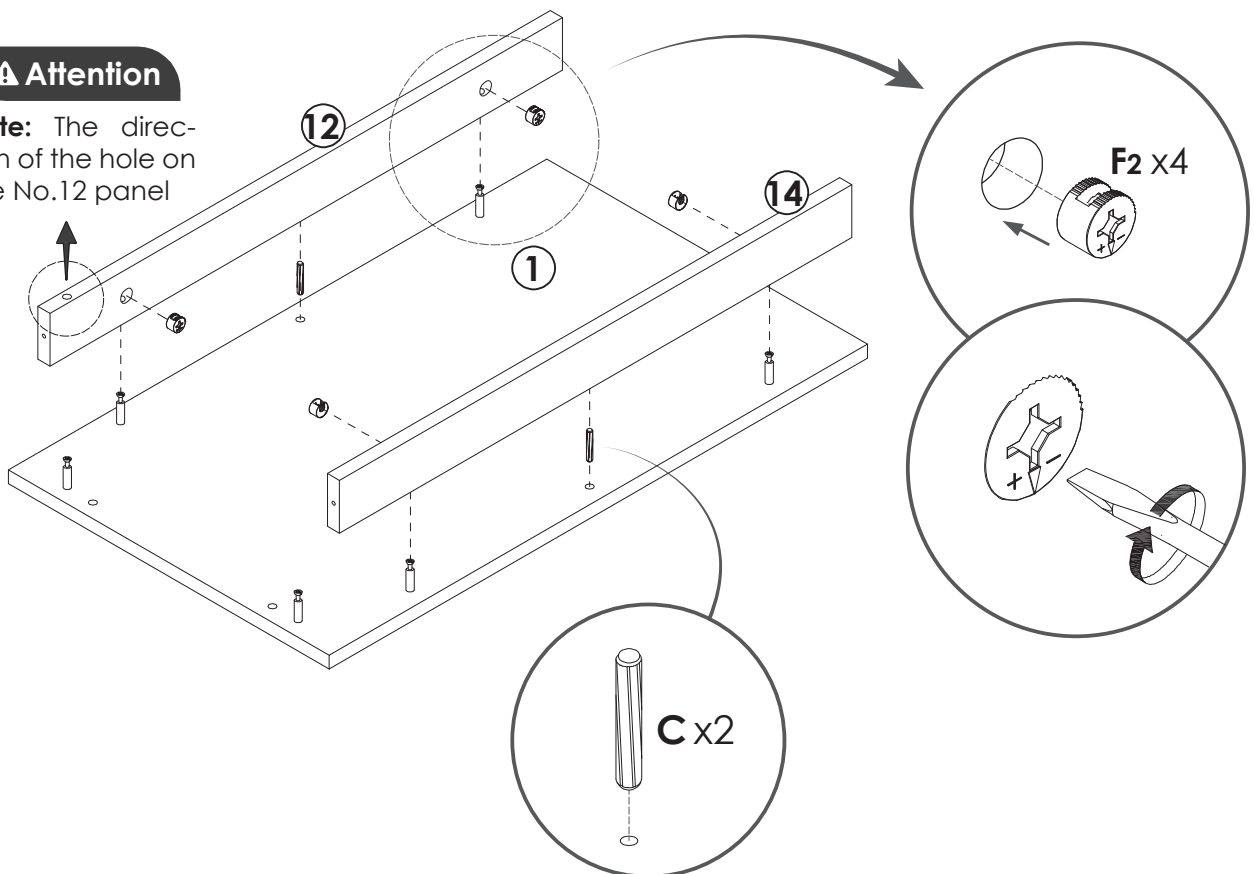
YOU WILL NEED

C x2

F<sub>2</sub> x4

**⚠ Attention**

**Note:** The direction of the hole on the No.12 panel

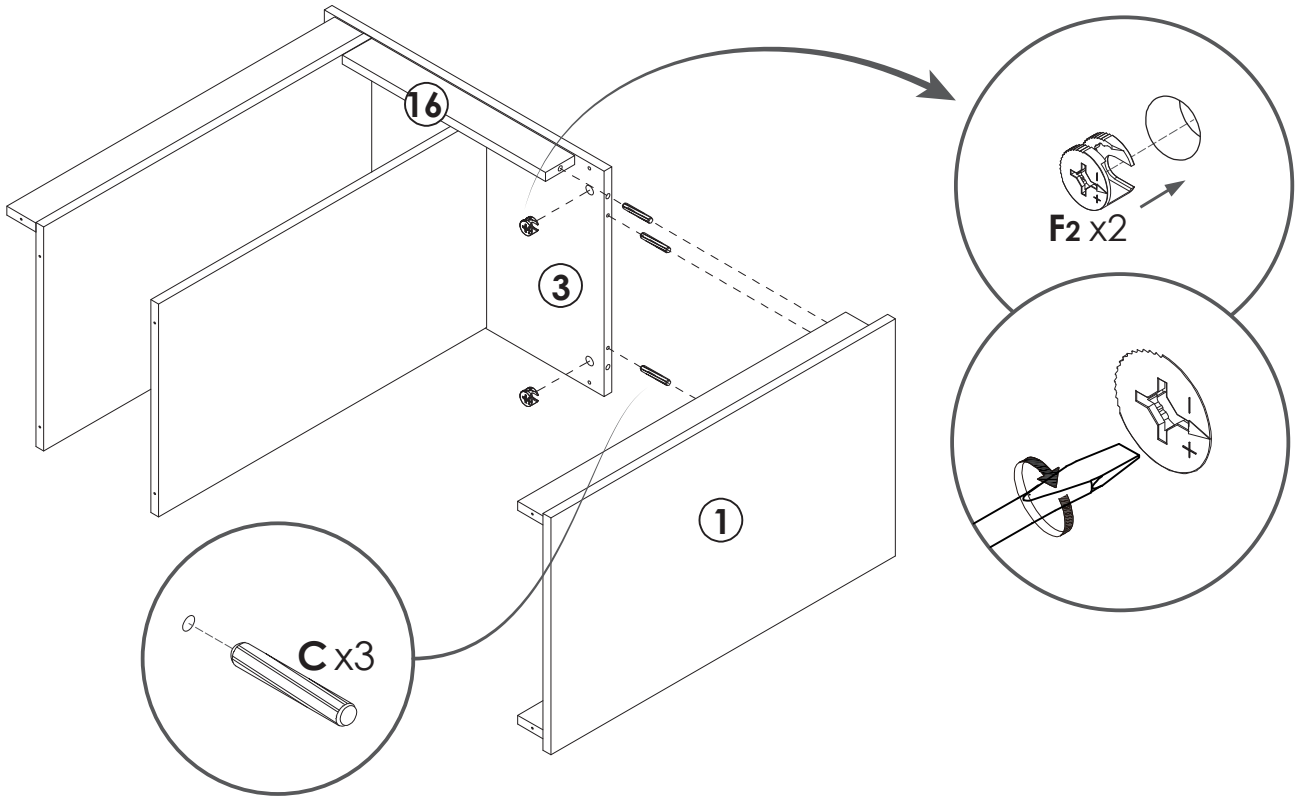


8

YOU WILL NEED

C x3

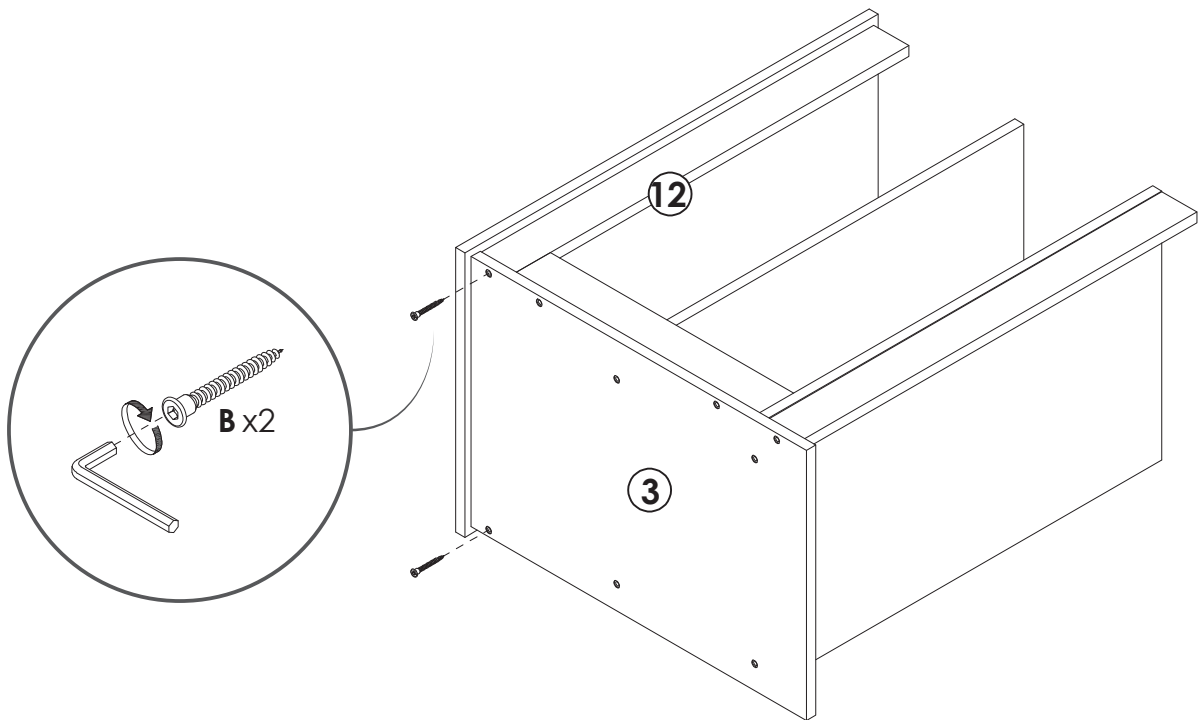
F2 x2



9

YOU WILL NEED

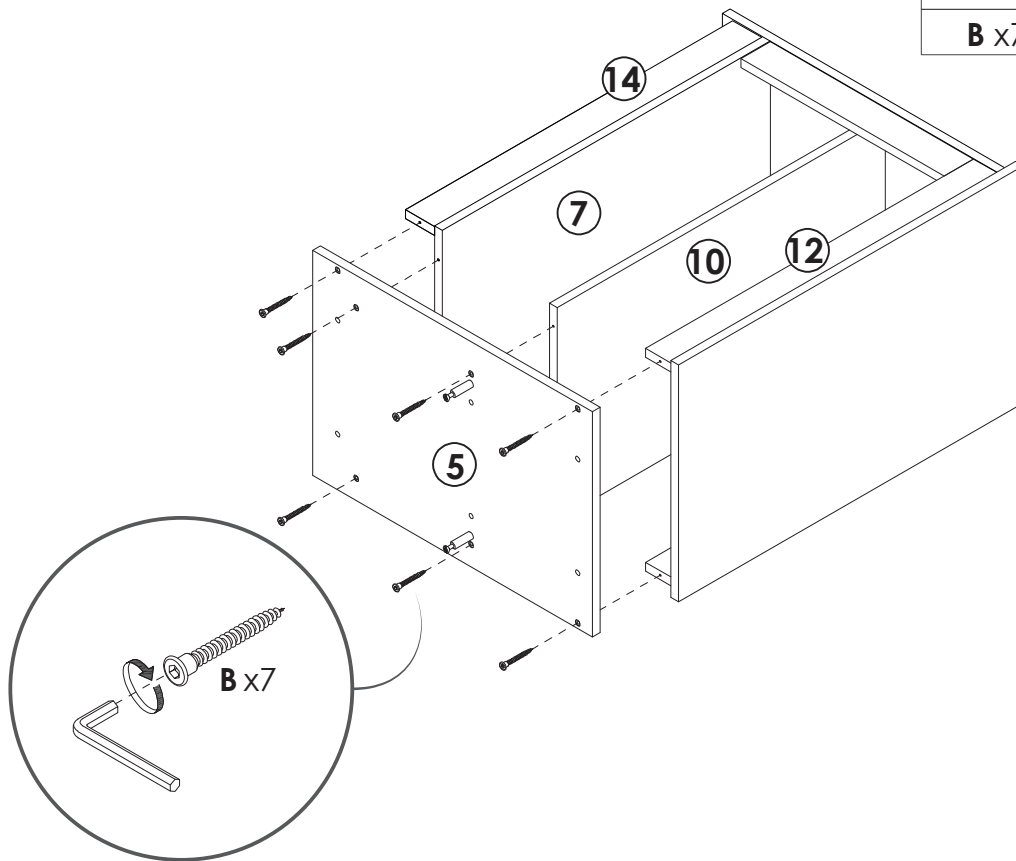
B x2



10

YOU WILL NEED

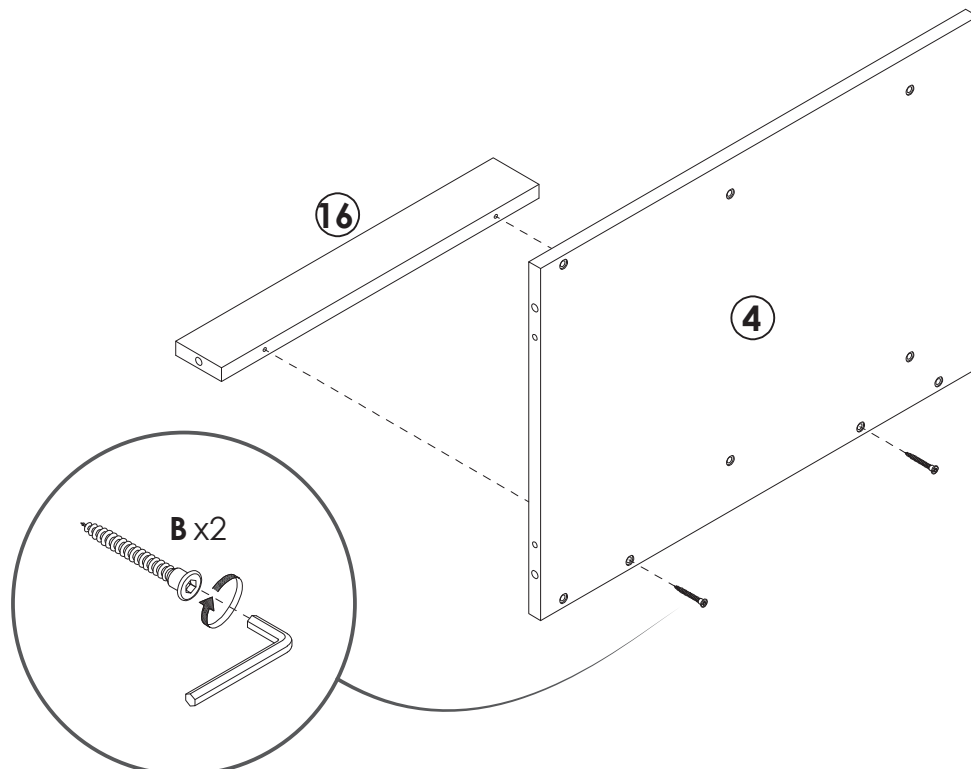
B x7



11

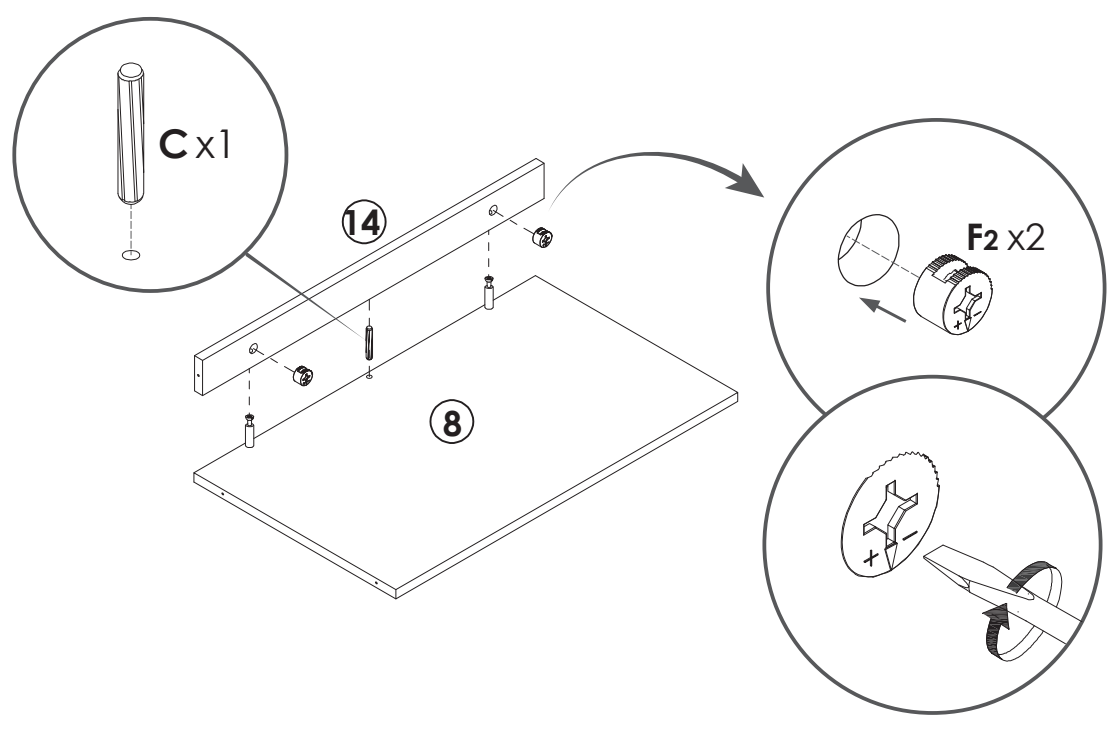
YOU WILL NEED

B x2



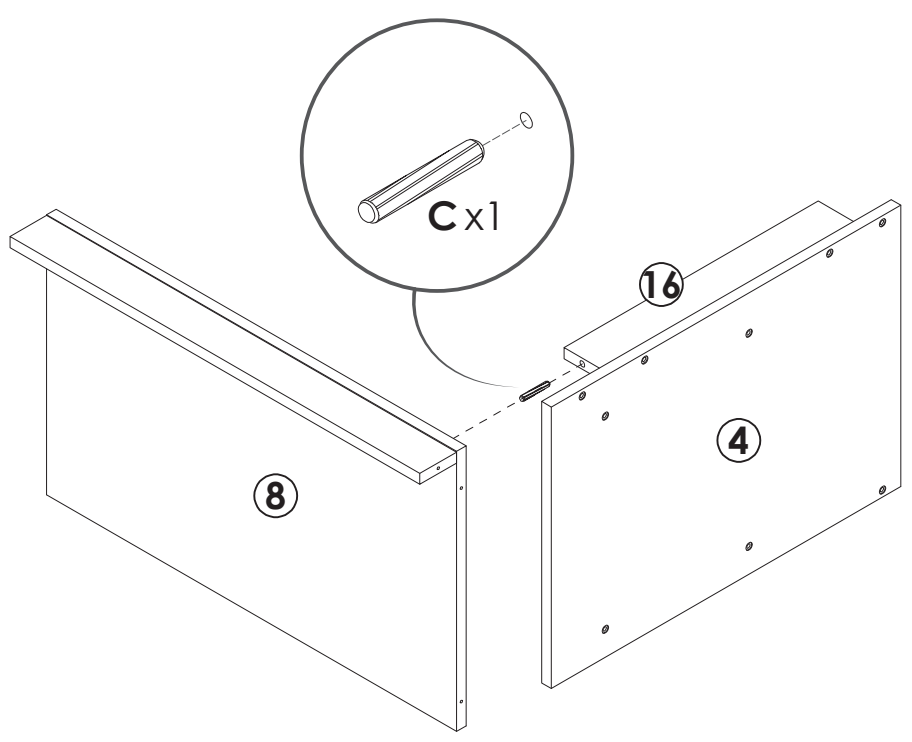
12

YOU WILL NEED	
C x1	F <sub>2</sub> x2



13

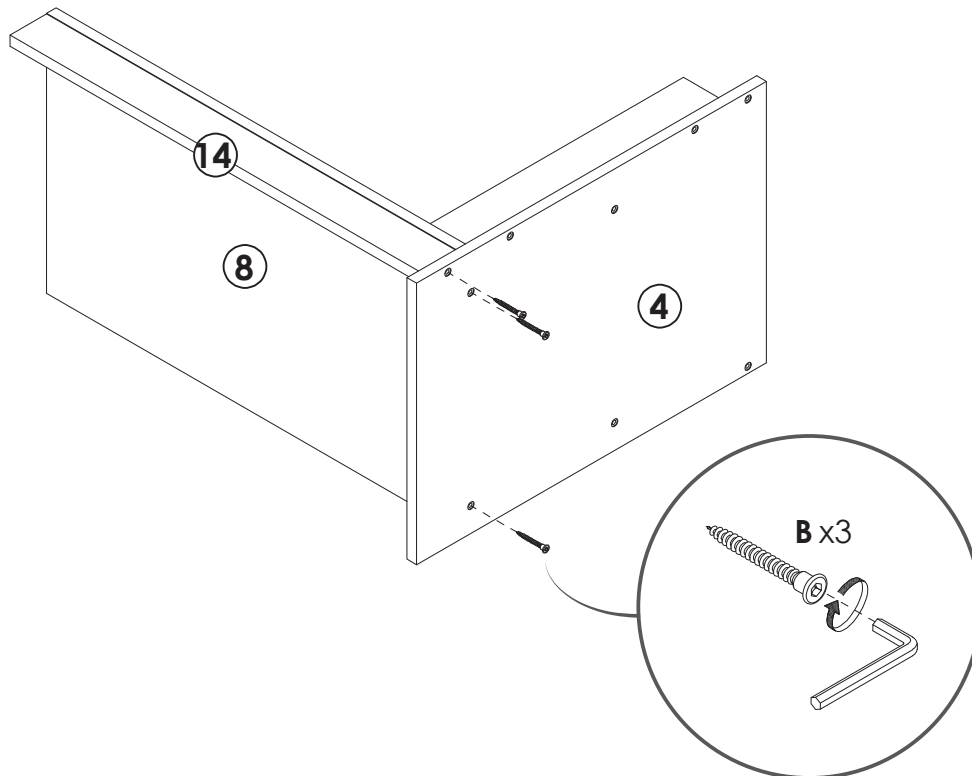
YOU WILL NEED	
C x1	



14

YOU WILL NEED

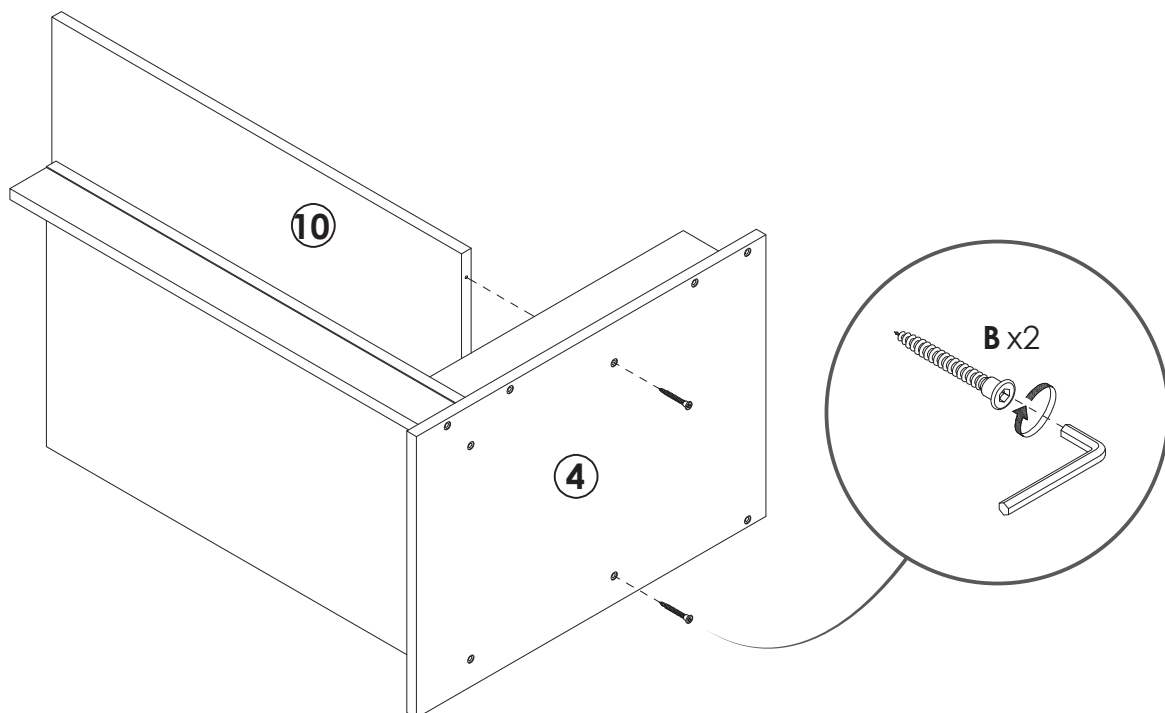
B x3



15

YOU WILL NEED

B x2



16

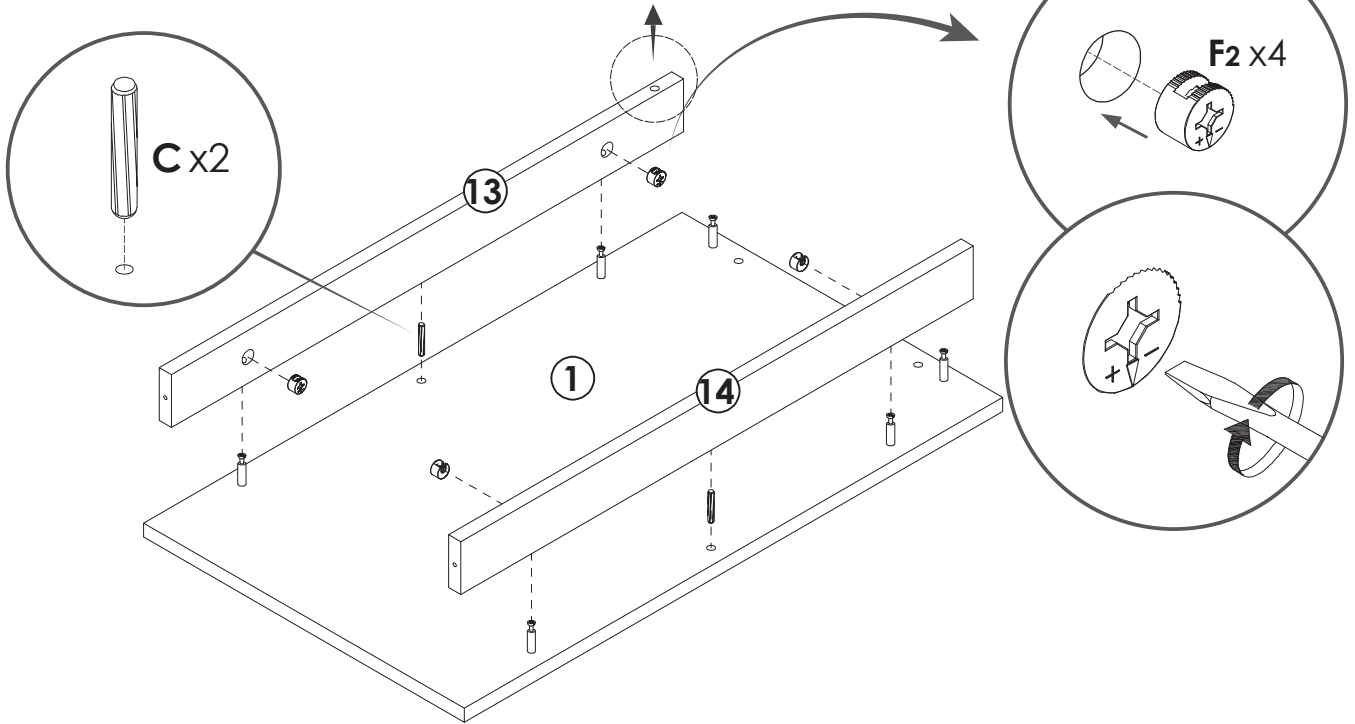
YOU WILL NEED

C x2

F2 x4

**Attention**

**Note:** The direction of the hole on the No.13 panel

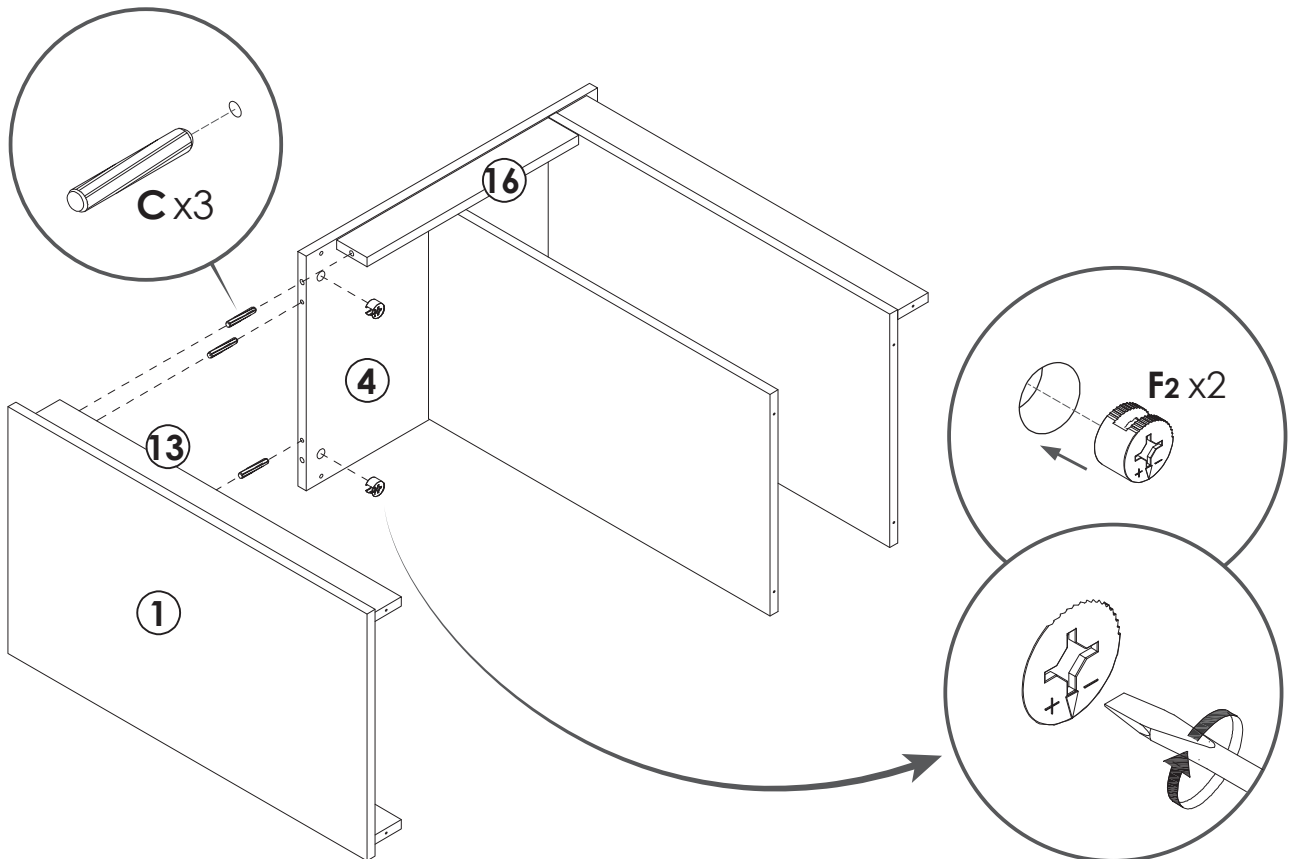


17

YOU WILL NEED

C x3

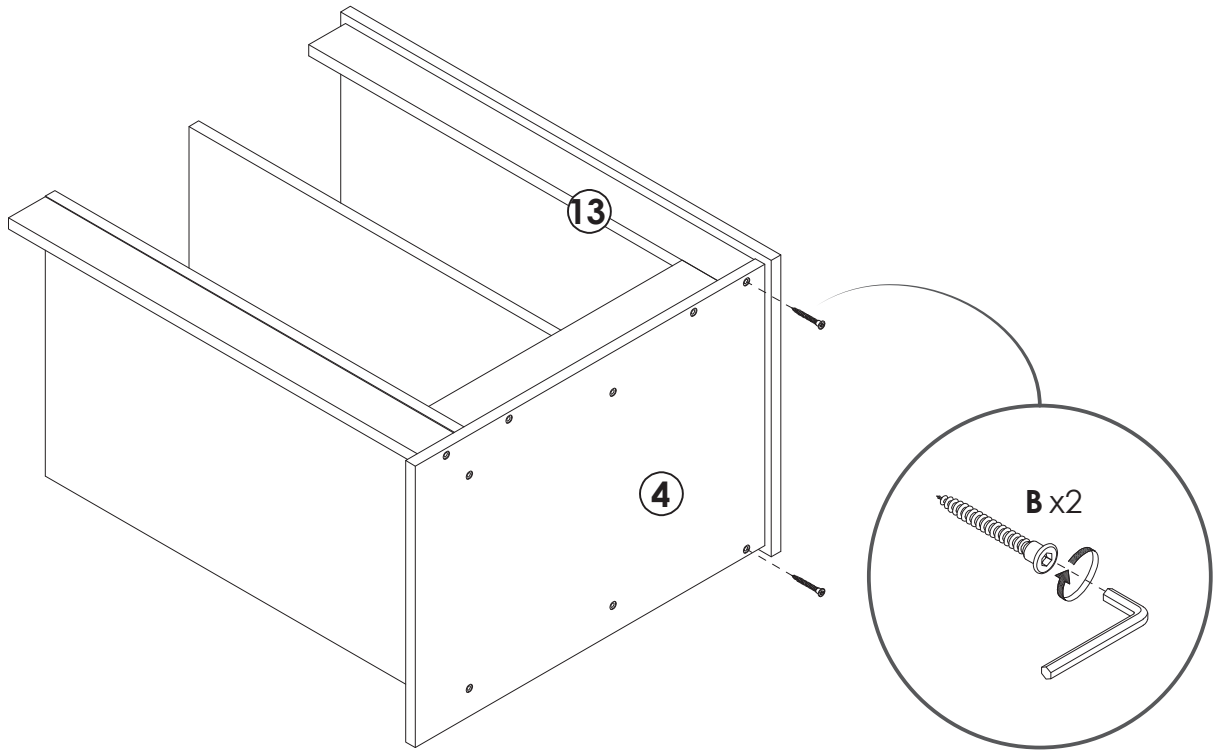
F2 x2



18

YOU WILL NEED

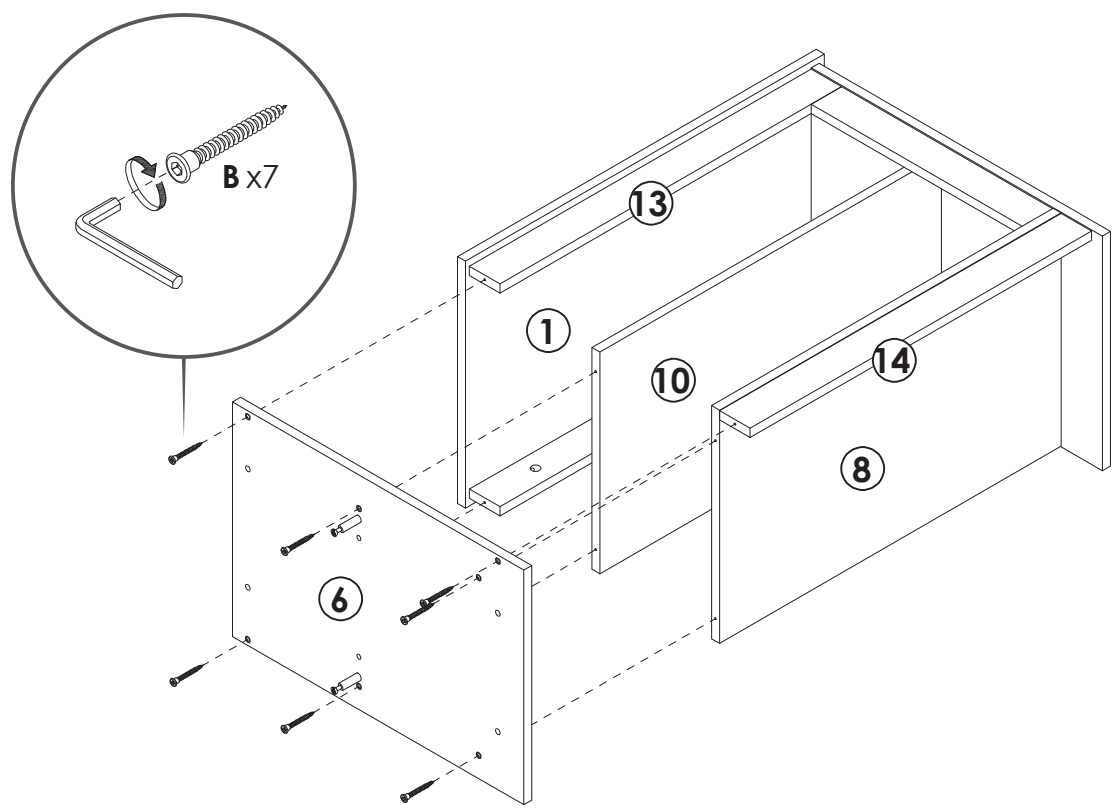
B x2



19

YOU WILL NEED

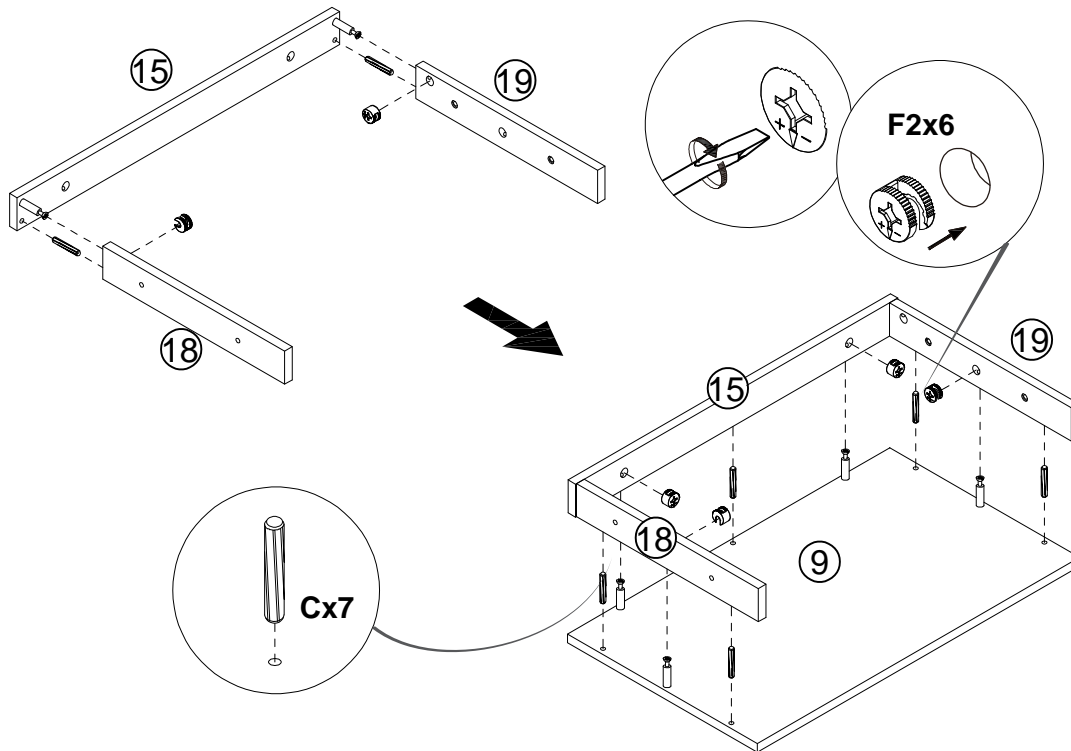
B x7



20

You will need

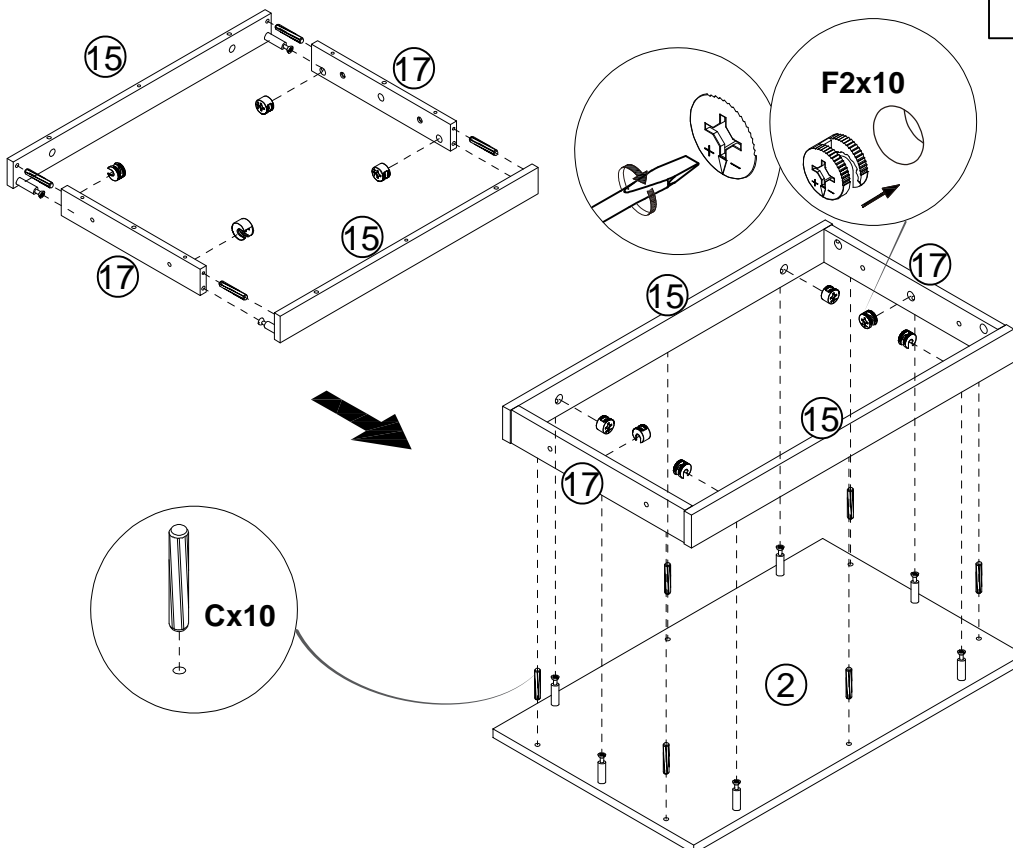
C	x7	F2	x6
---	----	----	----



21

You will need

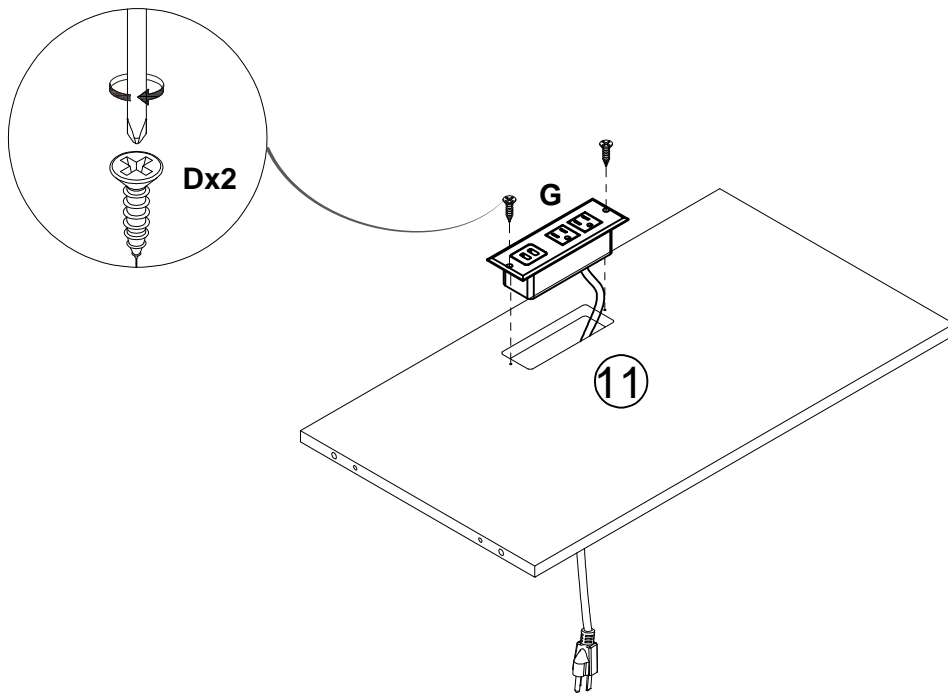
C	x10	F2	x10
---	-----	----	-----



22

You will need

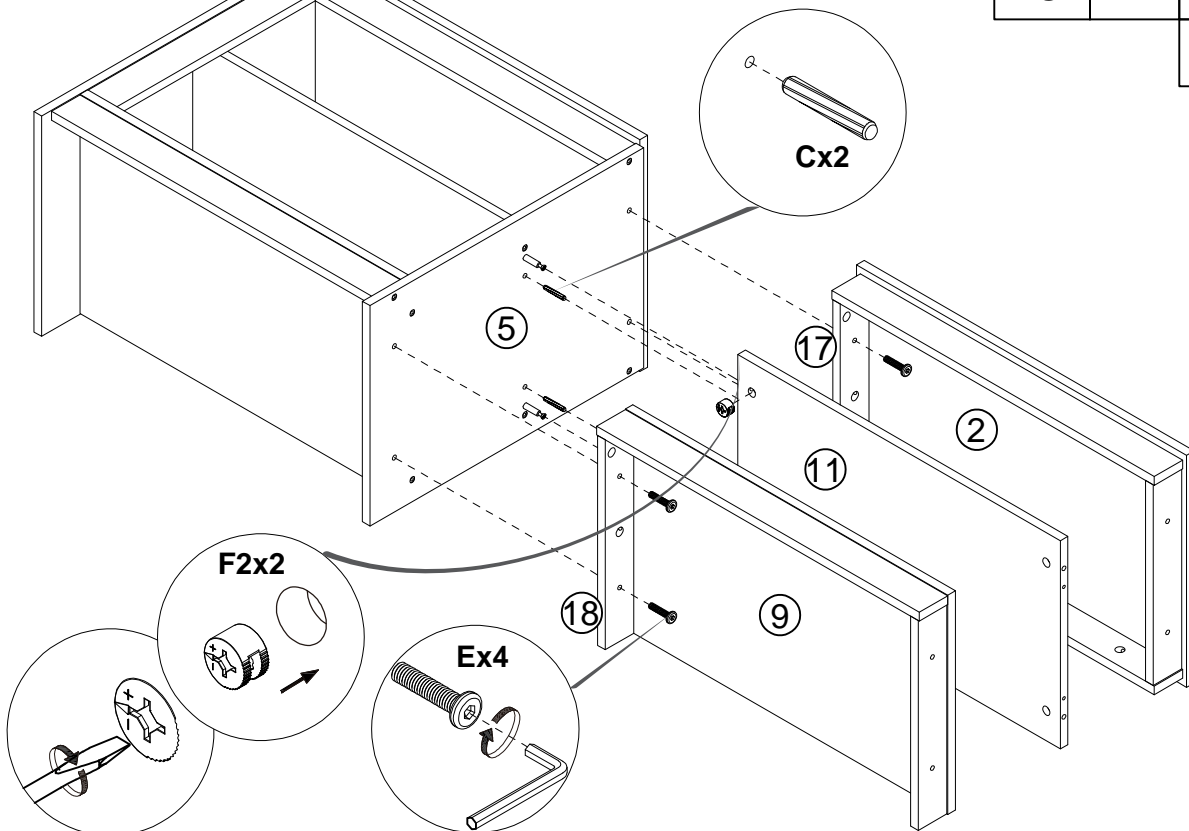
D	x2	G	x1
---	----	---	----



23

You will need

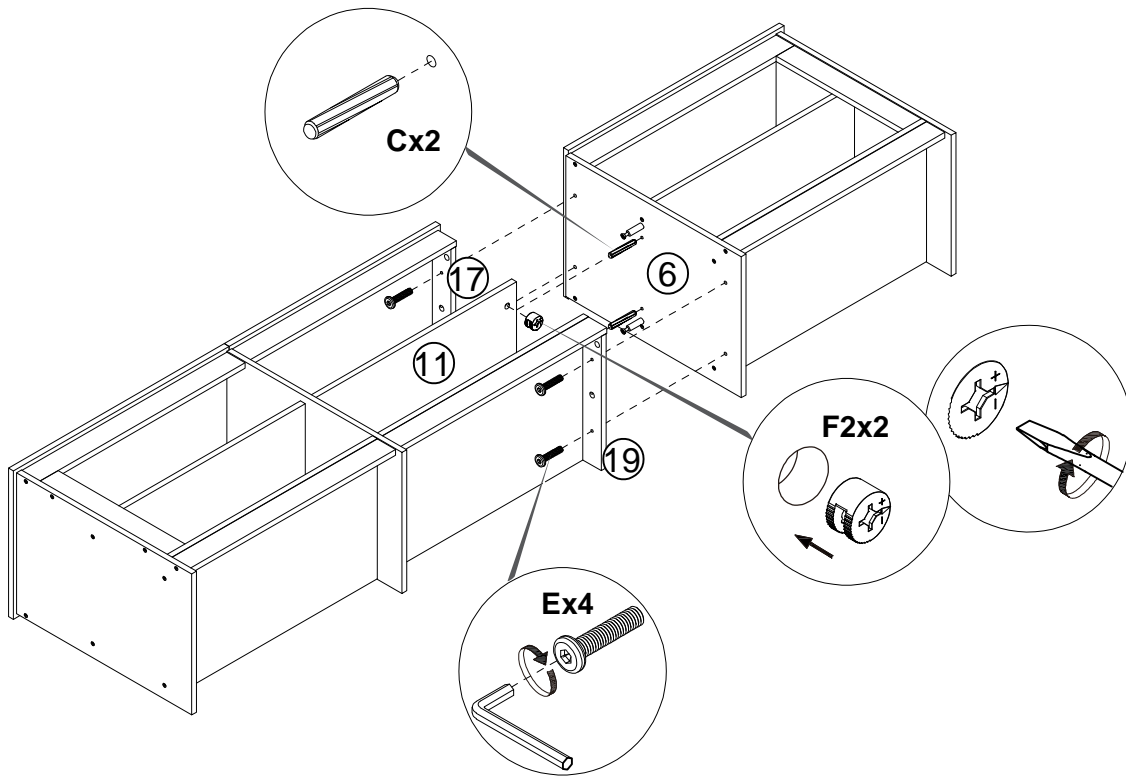
C	x2	F2	x2
		E	x4



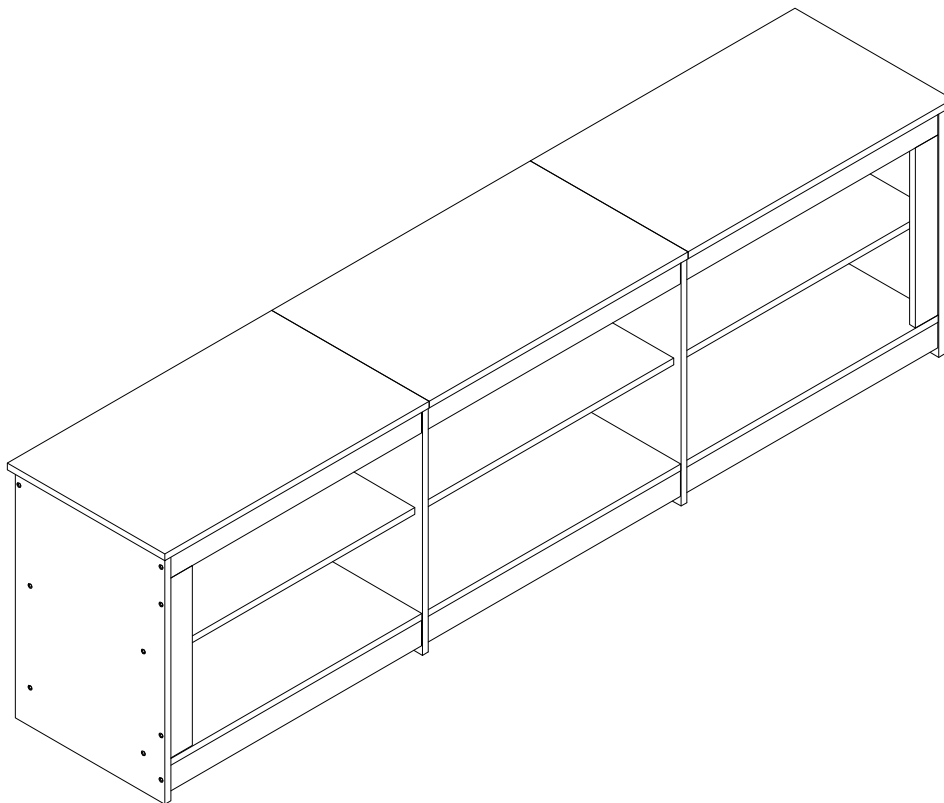
24

You will need

C	x2	F2	x2
		E	x4



25



**Model:**