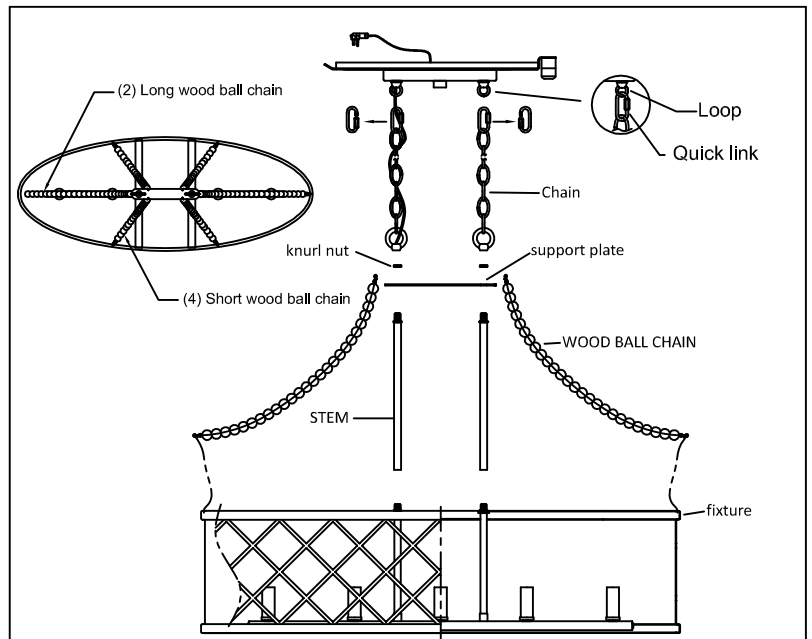


PACKAGE CONTENTS

DESCRIPTION	QTY
WOOD BALL CHAIN	6
LED LAMP	5
FIXTURE W / BRACKET	1

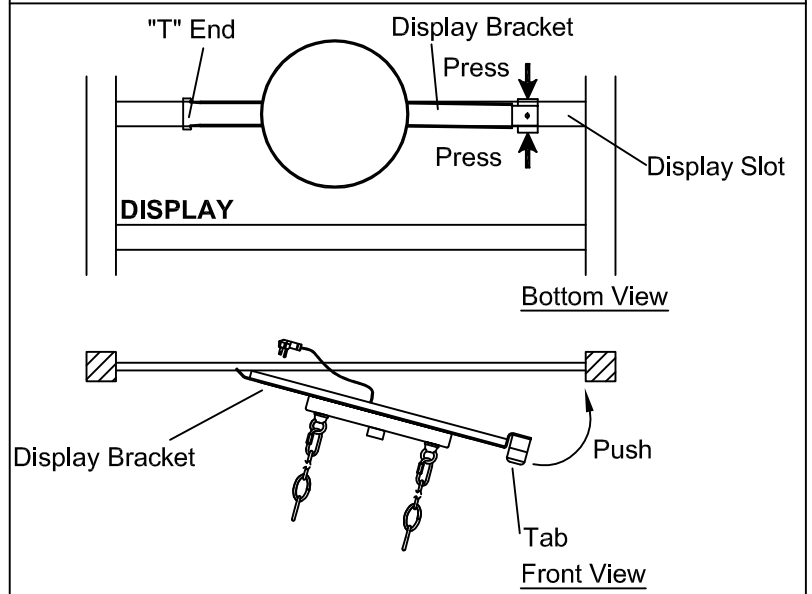
**STEP 1:**

- A. Install the stem into fixture and support plate with knurl nut to secure tightly.
- B. Connect the chain to the loop of the canopy using the quick link.
- C. Connect two long wood ball chain to support plate and fixture at beside fixture. Connect four short wood ball chain to the support plate and fixture (see diagram).



**STEP 2:**

- A. Insert the "T" end of the display bracket into the display slot.
- B. Next, press the tabs on the other end of the display bracket and push the display bracket into the display slot.
- C. Fixture height is preset to fit most stores. If height is not correct, cut the zip tie and adjust the fixture to the correct length.
- D. Once the fixture is adjusted to the correct height, gather up the excess chain and wire and attach to fixture chain with zip tie.



**STEP 3:**

- A. Install the lamp supplied with the display.
- B. Insert the power plug into receptacle.

