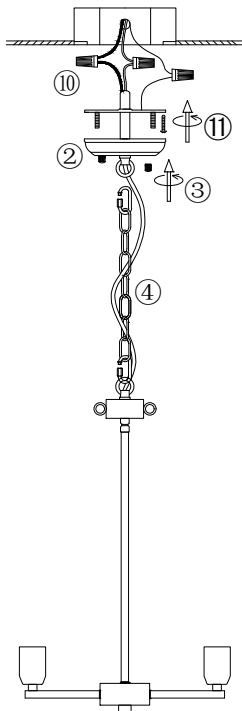
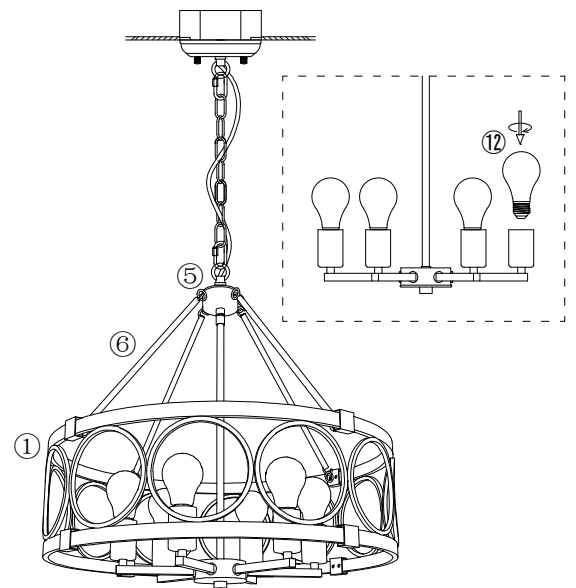


1. Assembled the split frame to be a complete framed with bolt screw ⑨.
2. Turn the lamp head 90-degrees to make it perpendicular to the lamp arm, let the wire of the light fixture ⑧ go through the hanging tube ⑦ and hanging part ⑤, rotate to fix both parts to the light fixture.



3. Hang the fixture to the canopy ② with chain ④, let the wire go through the chain ④ and canopy ②.
4. Install the bracket to the ceiling junction box with screw ⑪.
5. Install the light fixture to the bracket with cap nut ③.



6. Hang the metal frame to the part ⑤ with tube ⑥.
7. Install the bulb ⑫.

**Please read carefully before installation!!!**

**Note : Please make sure that the electricity is powered off during installation !**

**Only a professional electrician should install this kind of product !**