




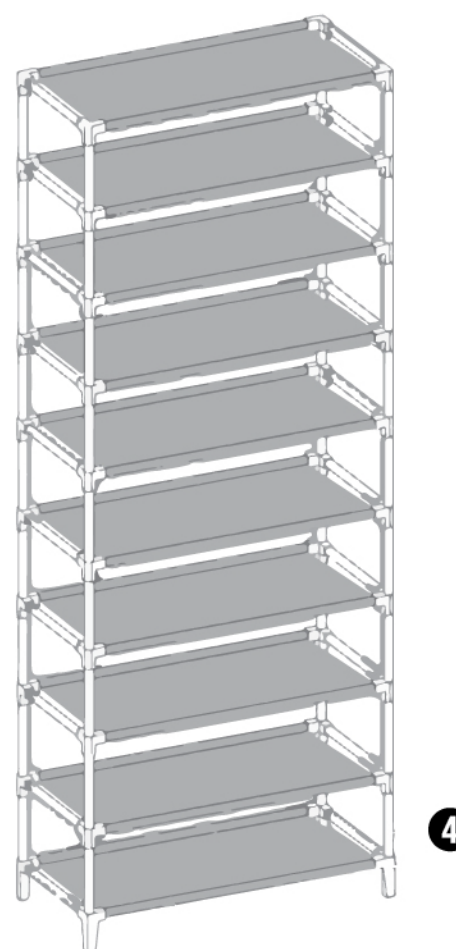
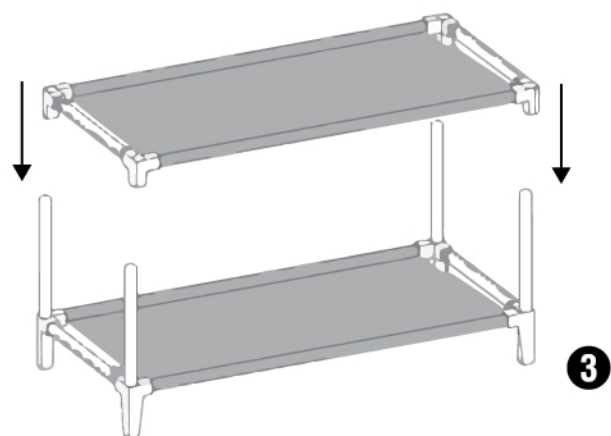
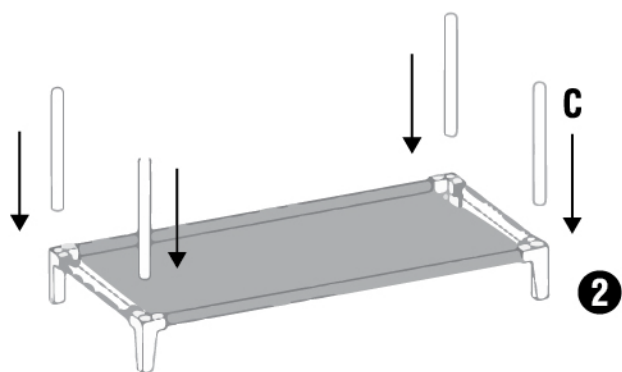
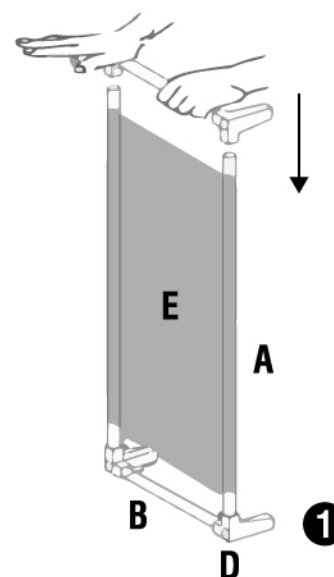


10 TIER STORAGE RACK

ASSEMBLY INSTRUCTIONS

- Inventory:
- A  x20
 - B  x20
 - C  x36
 - D  x40
 - E  x10



WARNING Metal rod edges can be sharp. Use caution when handling and assembling. To avoid injury, work gloves are advised during assembly.