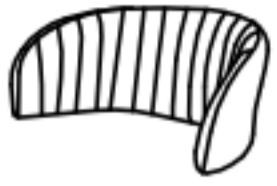


# ASSEMBLING INSTRUCTION

1 X1PC



2 X1PC



3 X1PC



4 X4PCS



A X4PCS



B X2PCS



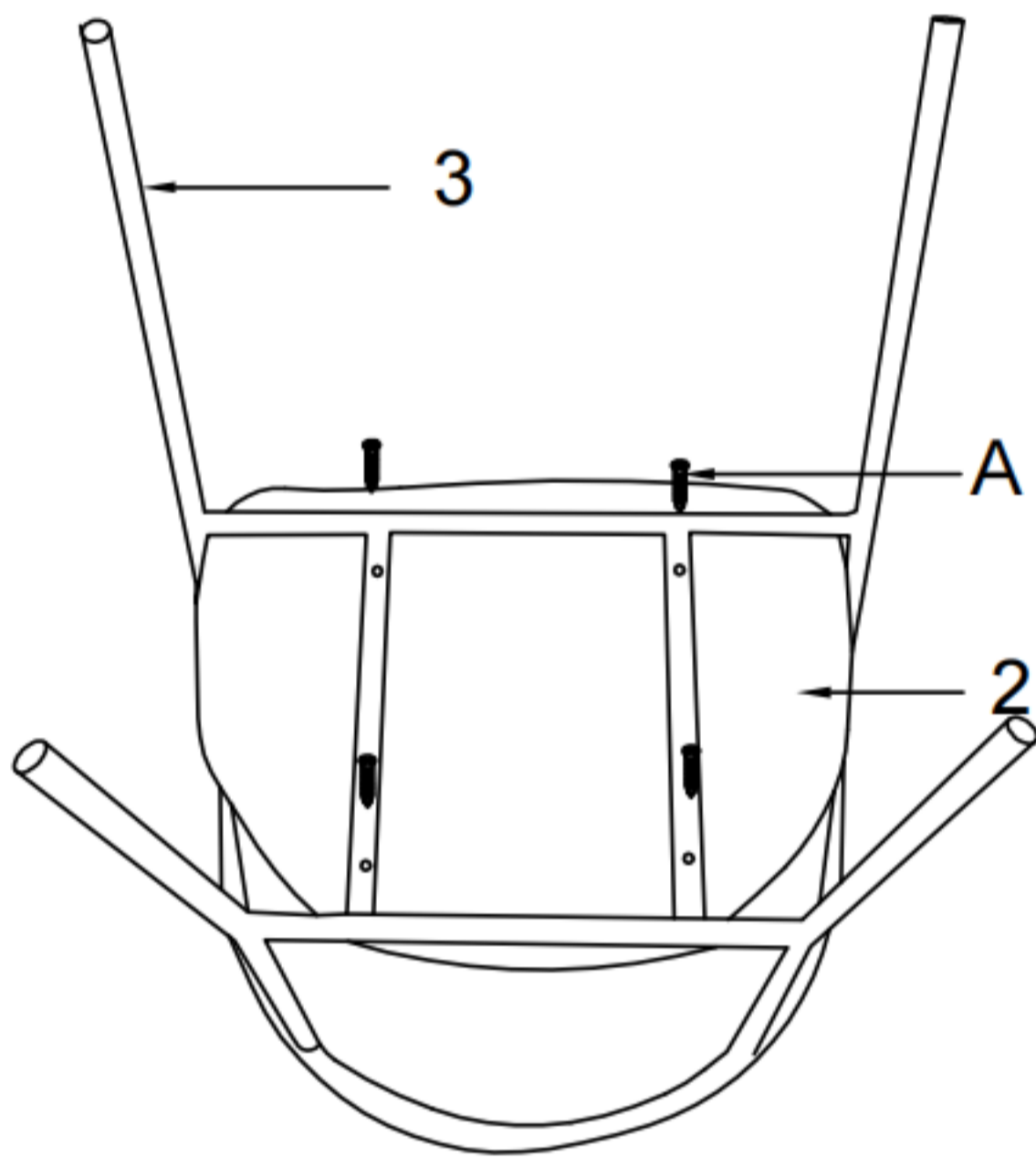
C X2PCS



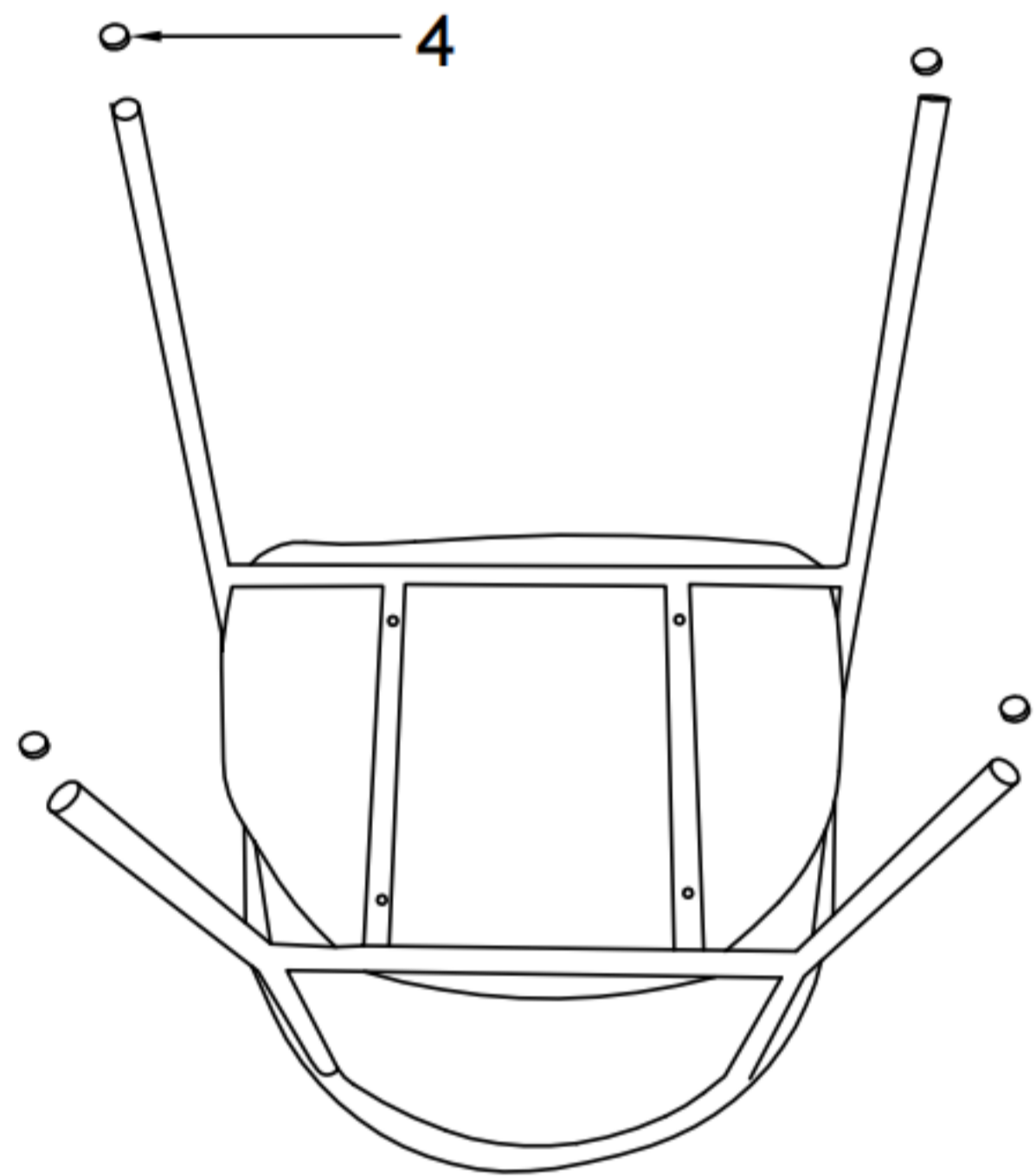
D X1PC



1



2



3

