

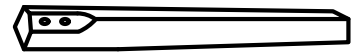
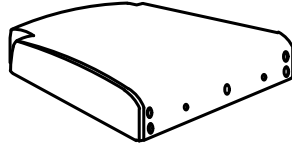
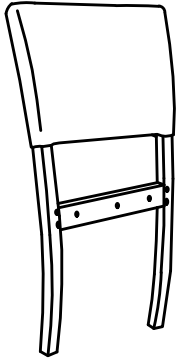
# ASSEMBLY INSTRUCTION

## N752P208357

### ATTENTION:

1. Check to ensure all parts and hardware are present.
2. We have provided Extra Hardware of A/B/C/D/E/F in case of any bolts missing in the boxes.
3. Do not fully tighten all bolts until all parts are in place. Failure to follow these instructions may cause the bolt to misalign during assembly.

### Part List



① x1PC

② x1PC

③ x2PCS

### Hardware



Ø10\*30mm

A x1PC



5/16 x40mm

B x2PCS



5/16 x63mm

C x4PCS



5/16 x83mm

D x4PCS



M8

E x10PCS



8\*22\*1.5

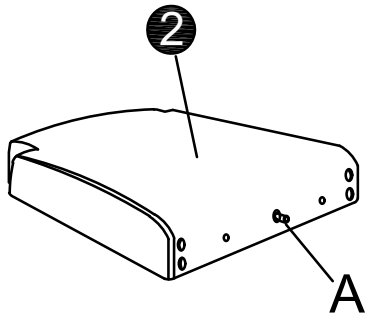
F x10PCS



M5

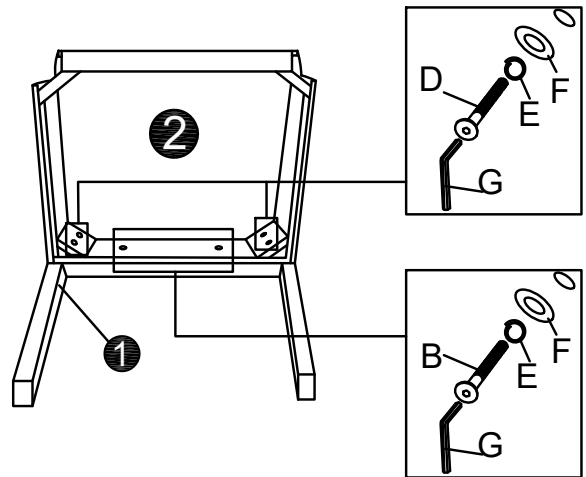
G x1PC






# Step 1



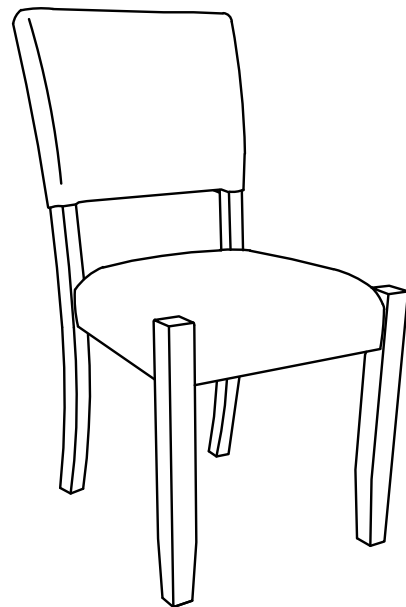
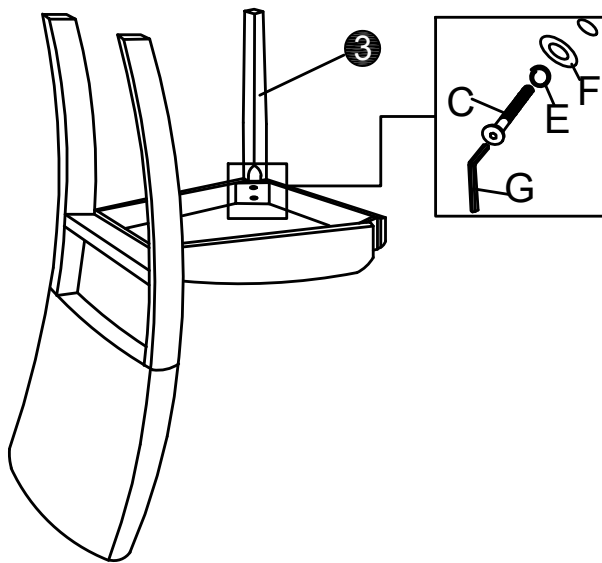
A  1PC





# Step 2



- |   |   |      |
|---|---|------|
| B |    | 2PCS |
| D |    | 4PCS |
| E |    | 6PCS |
| F |  | 6PCS |
| G |  | 1PC  |

# Step 3



- |   |   |      |
|---|---|------|
| C |  | 4PCS |
| E |  | 4PCS |
| F |  | 4PCS |
| G |  | 1PC  |