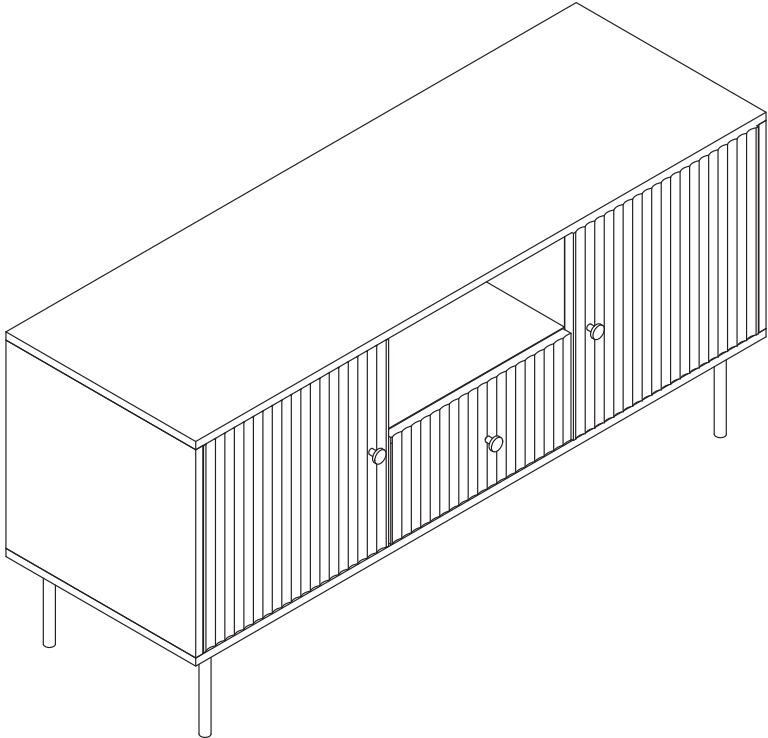


**WIDE TV MEDIA UNIT
WHITE / BLACK / GREY / SAGE**

Instruction manual





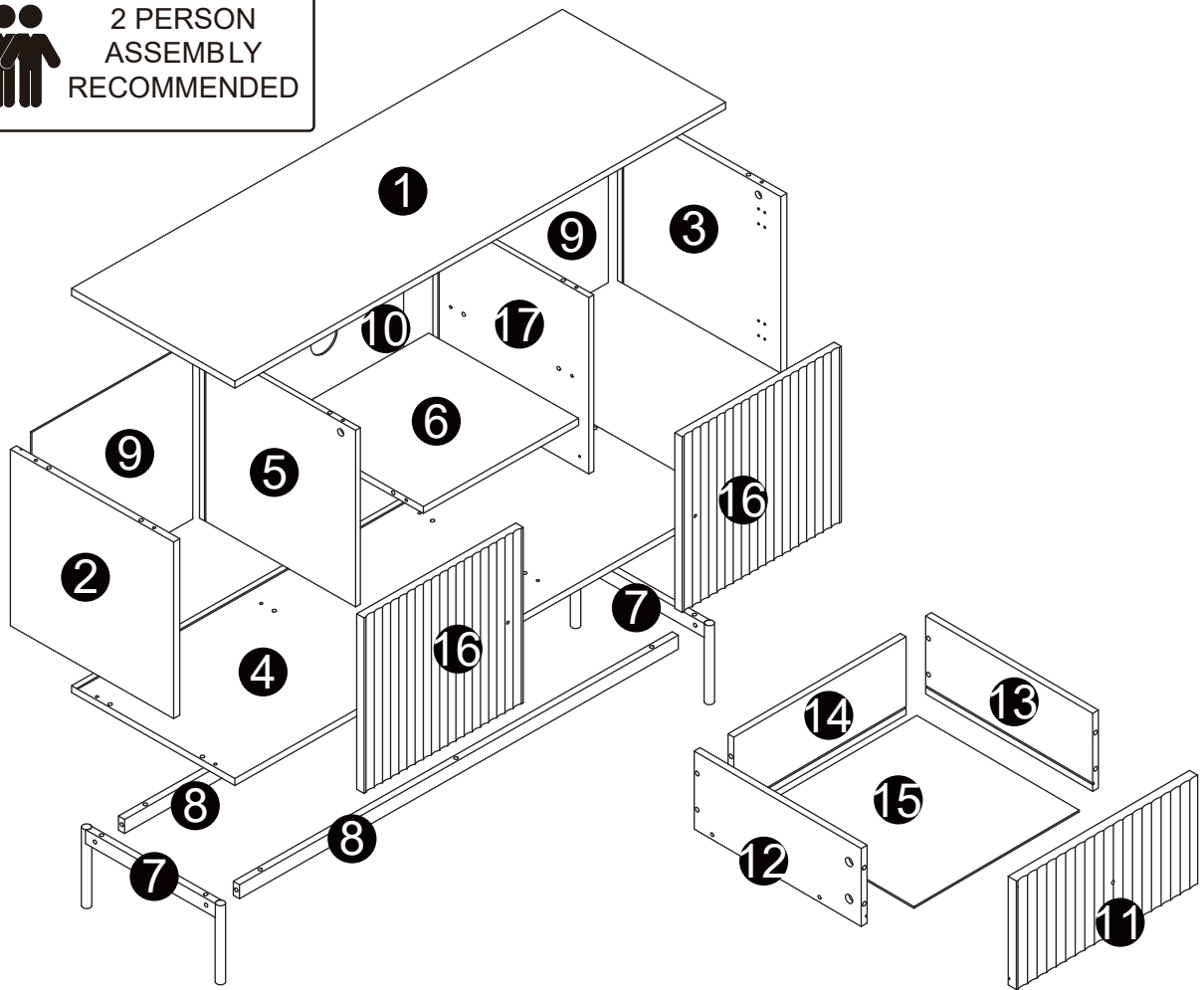
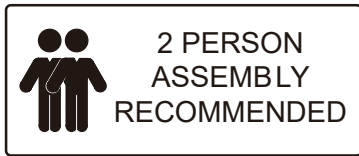
SAFETY AND CARE ADVICE

PLEASE READ THESE INSTRUCTIONS CAREFULLY AND KEEP FOR FUTURE

- *Check you have all the components and tools listed on pages 2 or 3.*
- *Remove all fittings from the plastic bags and separate them into their groups.*
- *Keep children and animals away from the work area, small parts could choke if swallowed.*
- *Make sure you have enough space to layout the parts before starting.*
- *Do not stand or put weight on the product, this could cause damage.*
- *Assemble on a soft level surface to avoid damaging the unit or your floor (use opened out unit carton).*
- *We do not recommend the use of power drill/drivers for inserting screws, as this could damage the unit. Only use hand screwdrivers.*

COMPONENTS — PANELS

Please check you have all the panels listed below:



PANEL LIST

1	Top Panel	x1	9	Back Panel	x2
2	Left Side Panel	x1	10	Back Panel	x1
3	Right Side Panel	x1	11	Drawer Front Panel	x1
4	Bottom Panel	x1	12	Drawer Left Side Panel	x1
5	Left Middle Panel	x1	13	Drawer Right Side Panel	x1
6	Fixed shelves	x1	14	Drawer Back Panel	x1
7	Iron feet	x2	15	Drawer Bottom Panel	x1
8	Bottom Bar	x2	16	Door	x2
			17	Right Middle Panel	x1

COMPONENTS — FITTINGS

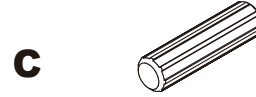
Please check you have all the fittings listed below:



Peg M6*35mm x 16



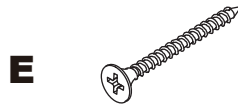
Lock x 16



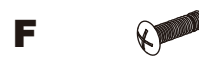
Dowel M8*30mm x 20



Screw M3*12mm x 10



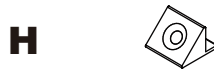
Screw M4*35mm x 8



Screw M4*18mm x 3



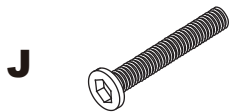
Handle x 3



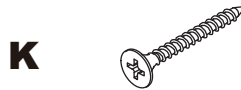
Back bucklex 12



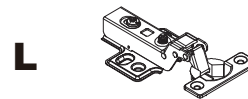
Screw M3*16mm x 12



Bolt M6*40mm x 14



Screw M4*30mm x 4



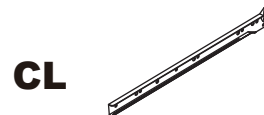
Full Overly Hinge x 4



Screw M4*14mm x 24



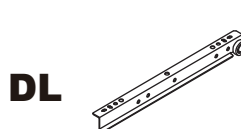
Allen Wrench x 1



Drawer runner x 1



Drawer runner x 1



Drawer runner x 1



Drawer runner x 1

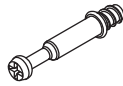

TOOLS NEEDED

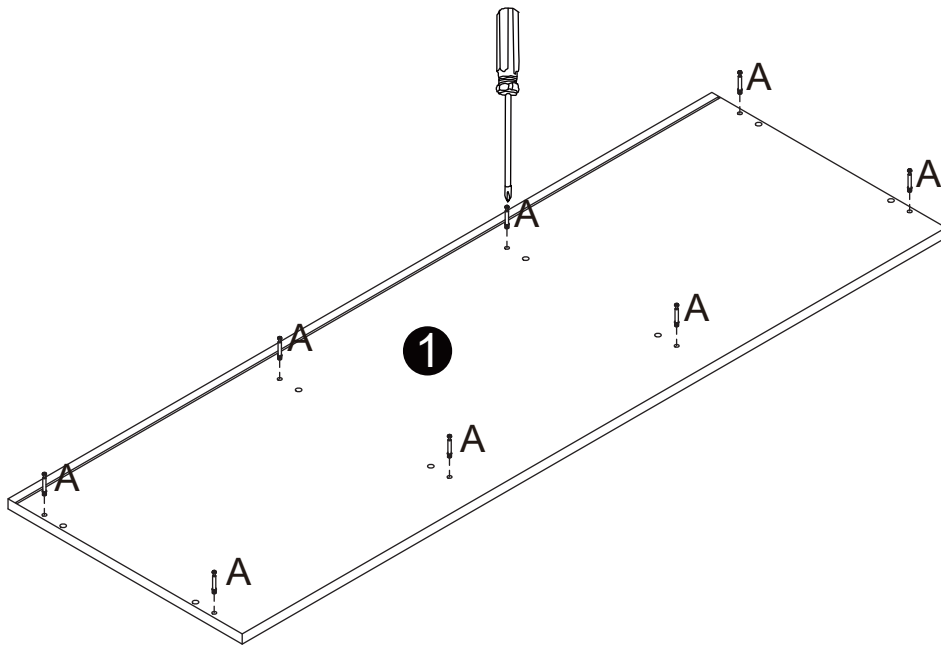


Phillips Screwdriver x 1

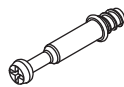

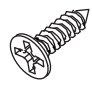


ASSEMBLY INSTRUCTIONS

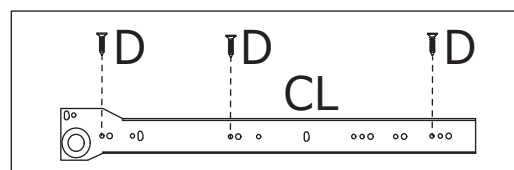
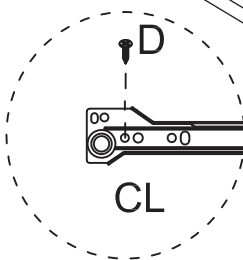
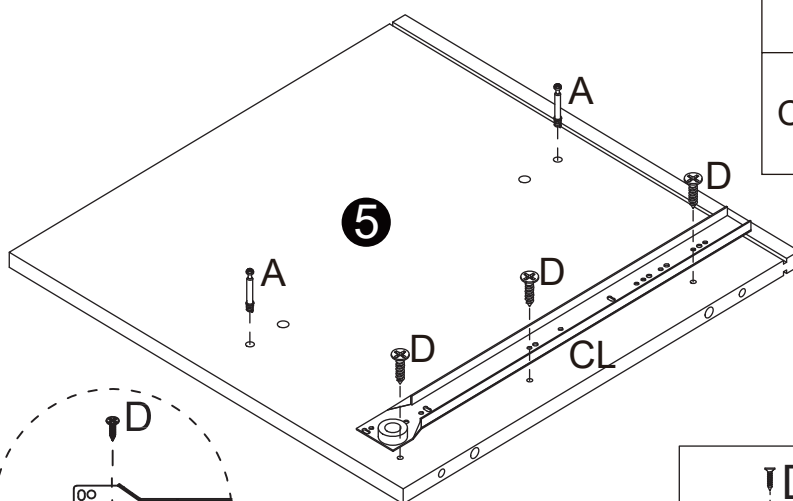
Step 1

A		8	
---	---	---	---



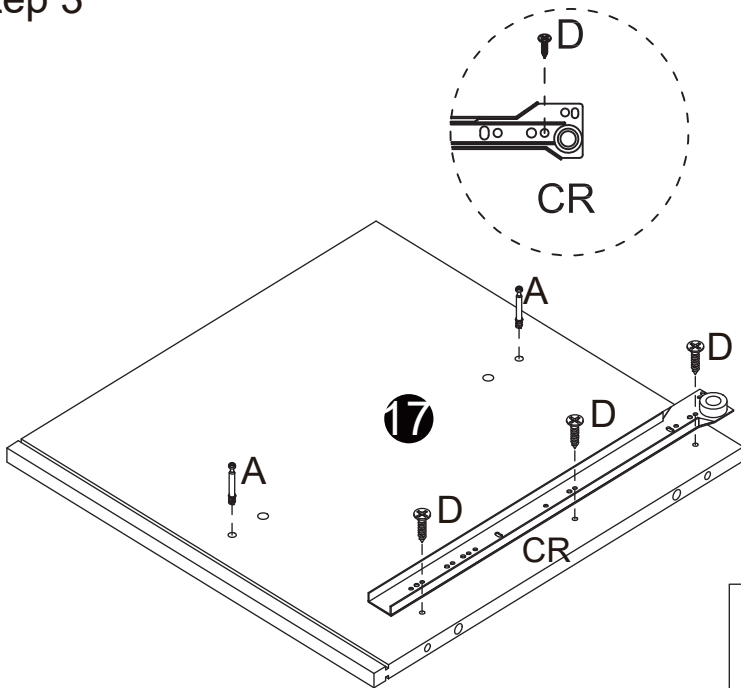
Step 2

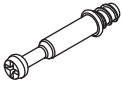




A		2	
D		3	
CL		1	

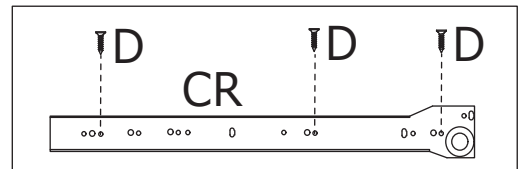


ASSEMBLY INSTRUCTIONS

Step 3



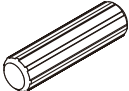


A		2	
D		3	
CR		1	



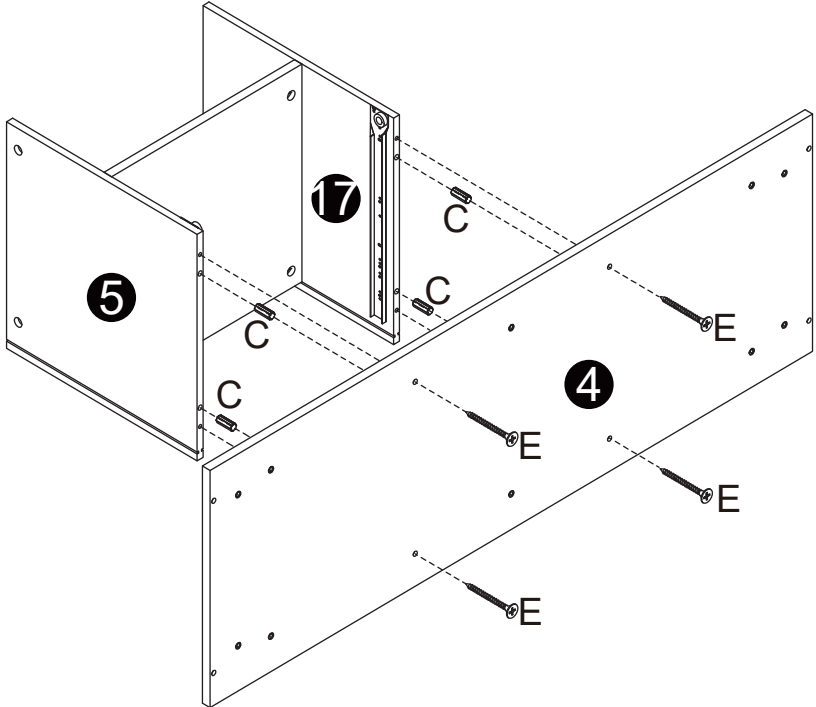
Step 4

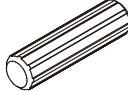
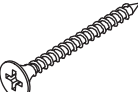



B		4	
C		4	

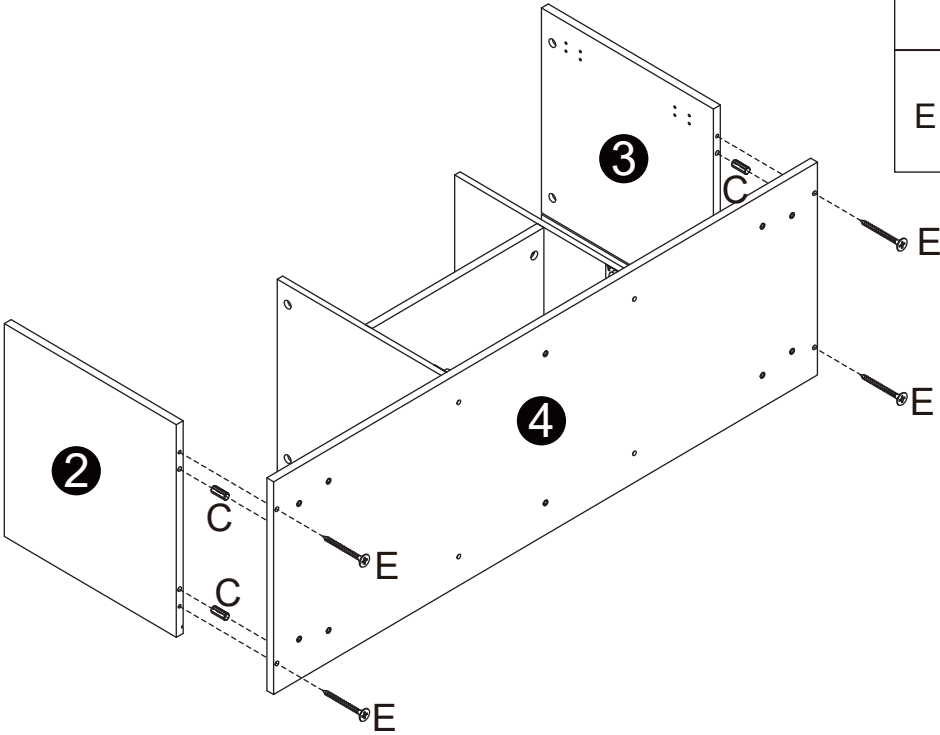
ASSEMBLY INSTRUCTIONS

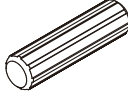
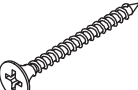

Step 5



C		4	
E		4	

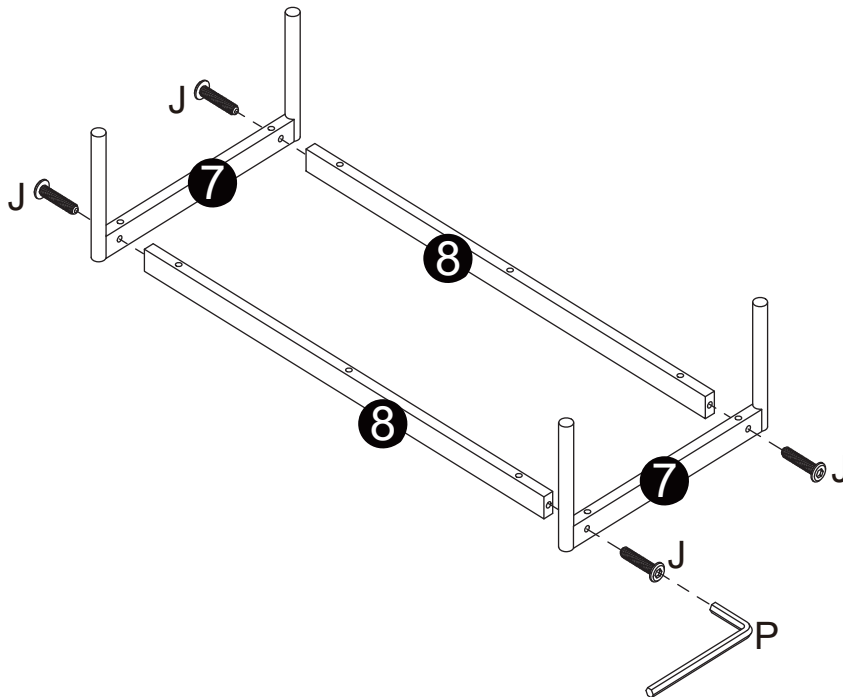
Step 6

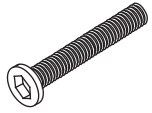
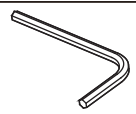


C		4	
E		4	

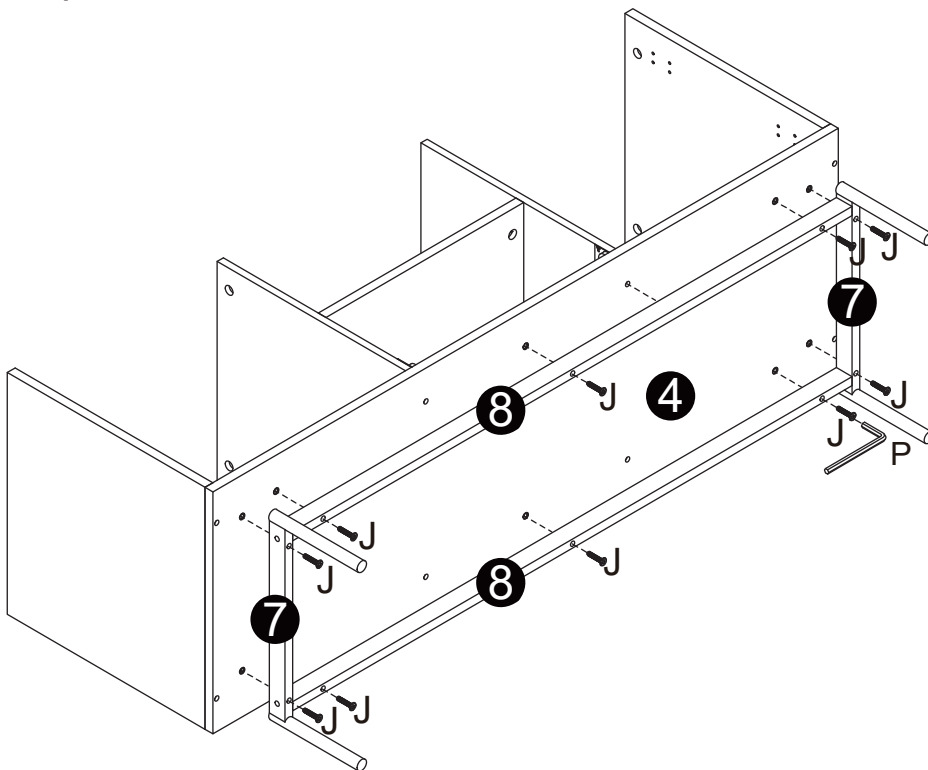
ASSEMBLY INSTRUCTIONS

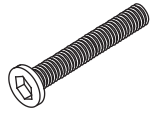
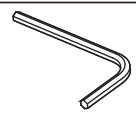
Step 7



J		4
P		1

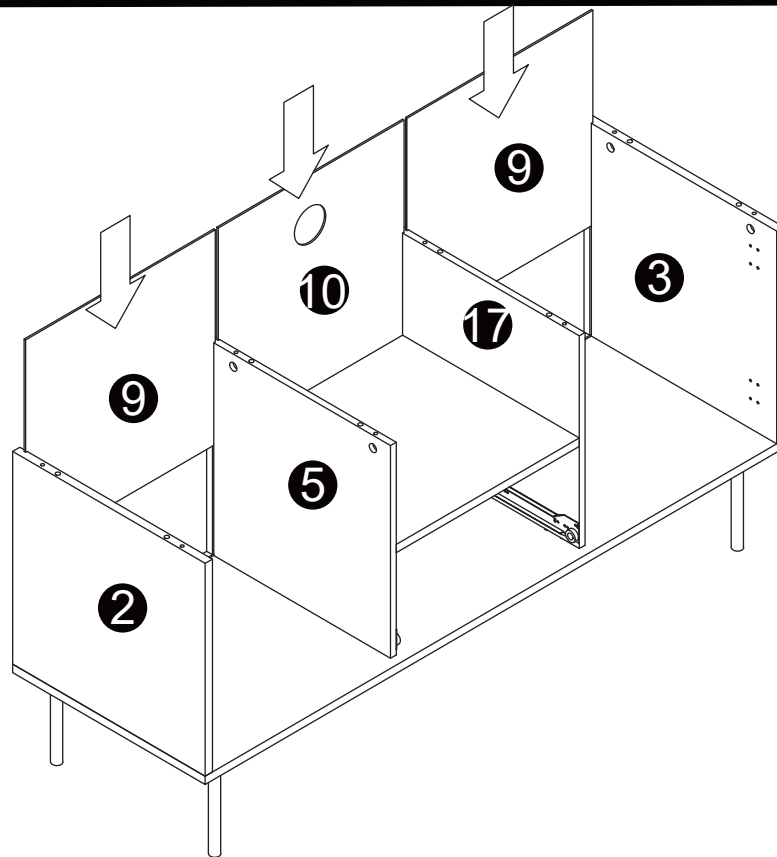
Step 8



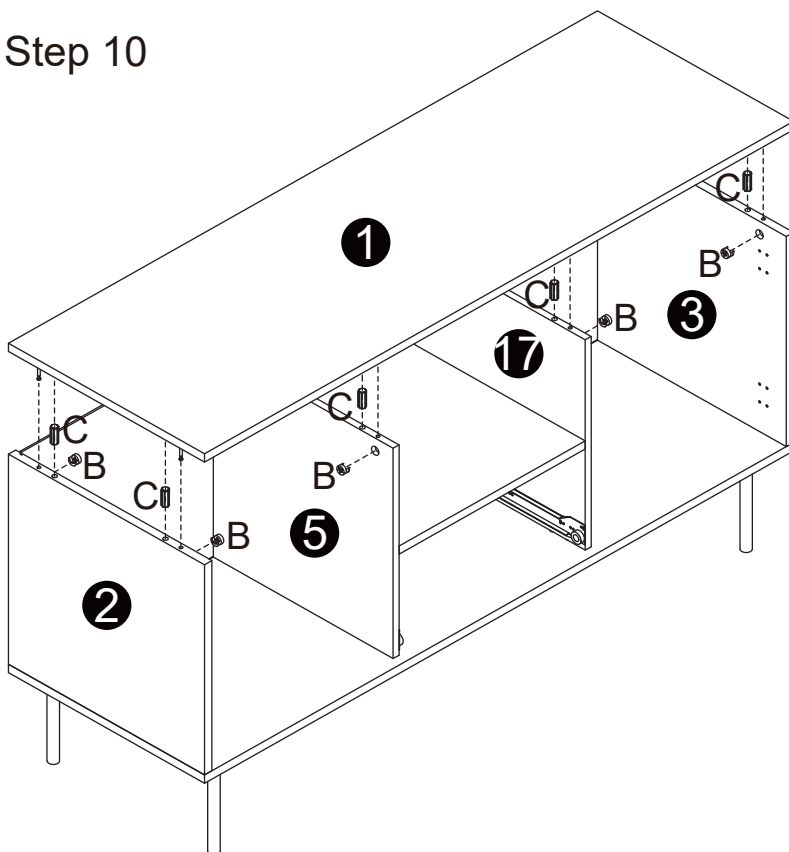
J		10
P		1



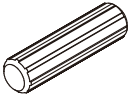
ASSEMBLY INSTRUCTIONS

Step 9




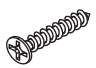

Step 10

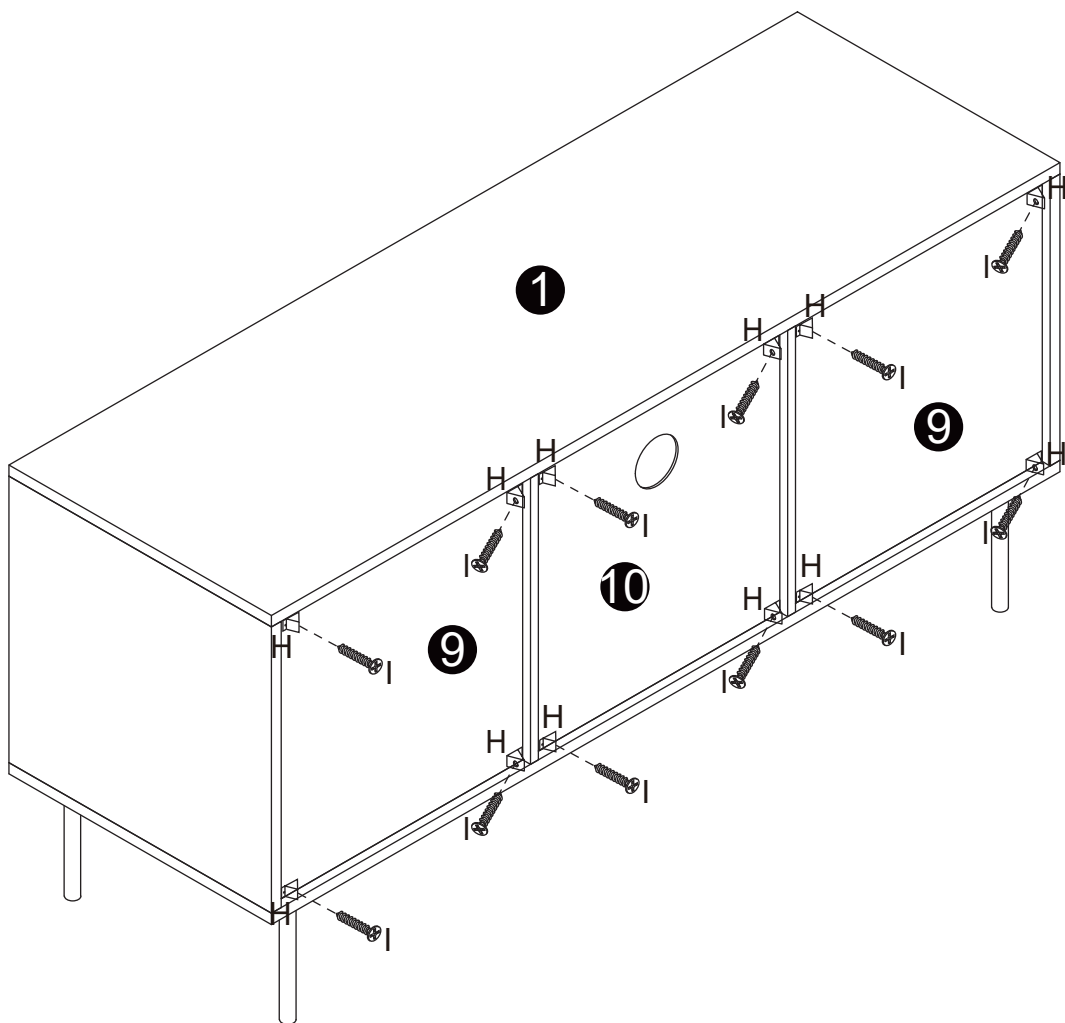


B		8	
C		8	

ASSEMBLY INSTRUCTIONS

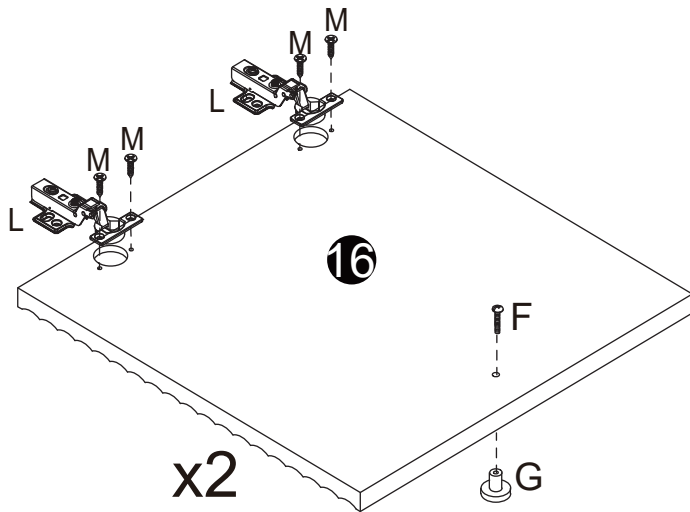
Step 11

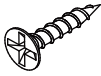




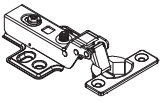
H		12	
I		12	



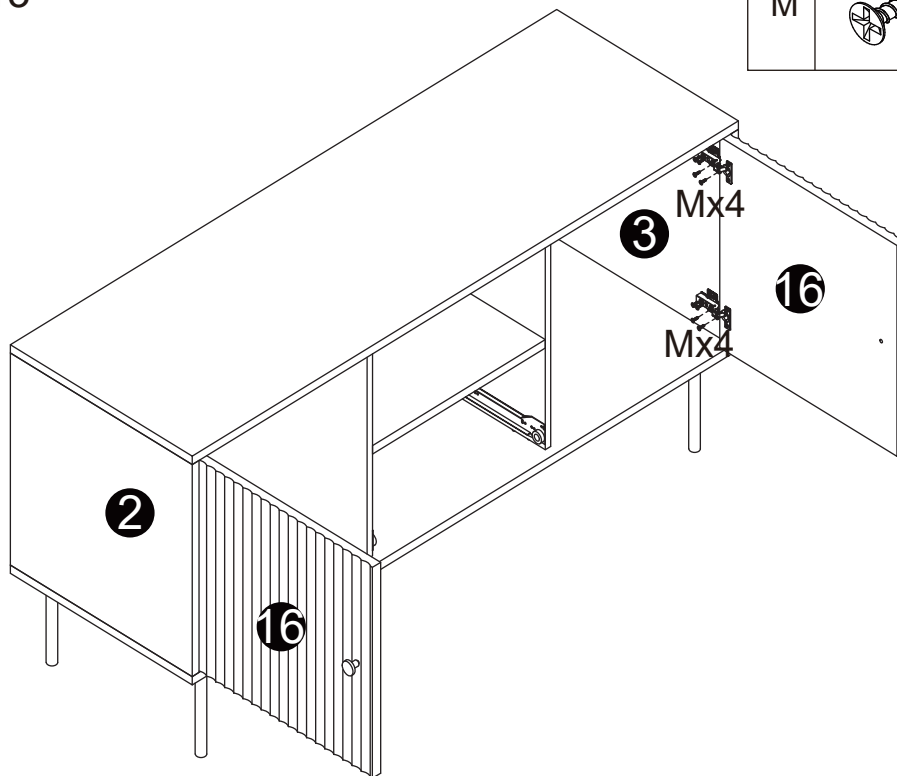
ASSEMBLY INSTRUCTIONS

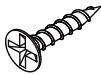

Step 12



M		8	
F		2	
G		2	
L		4	

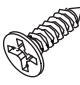

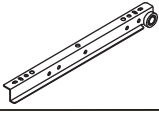
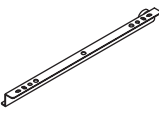
Step 13

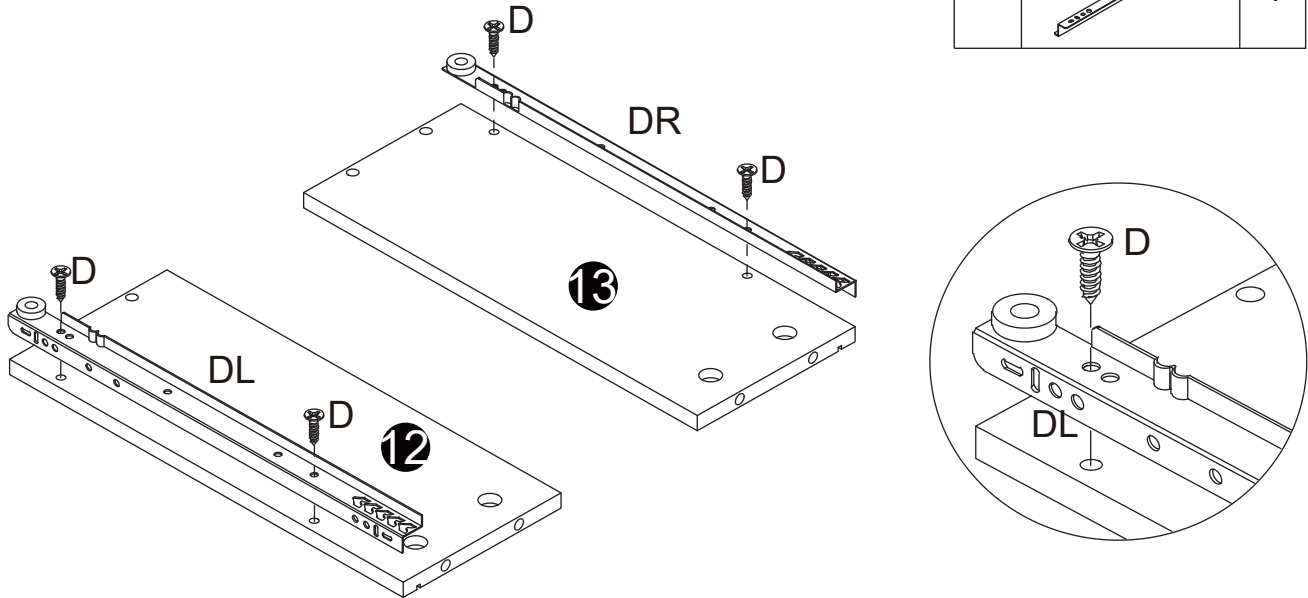


M		16	
---	---	----	---

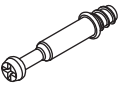




ASSEMBLY INSTRUCTIONS

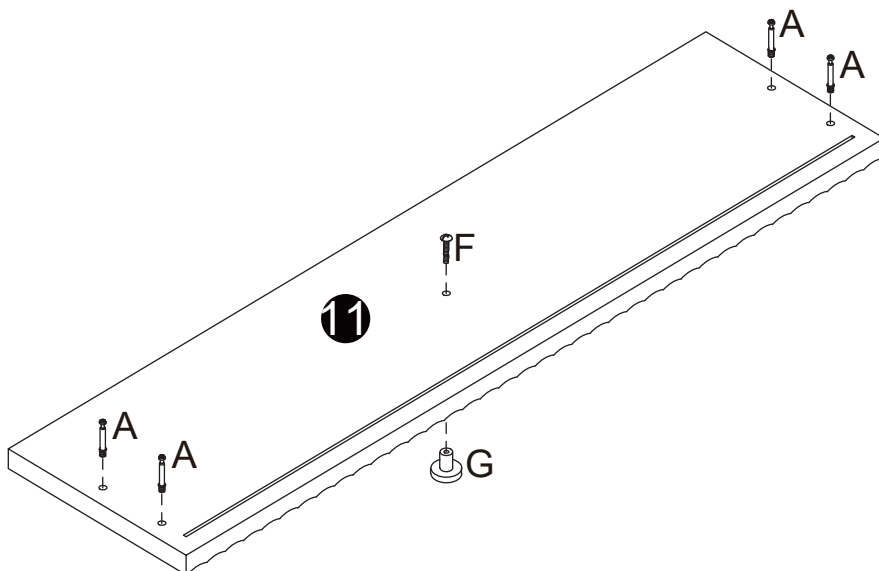
Step 14

D		4		DL		1
				DR		1



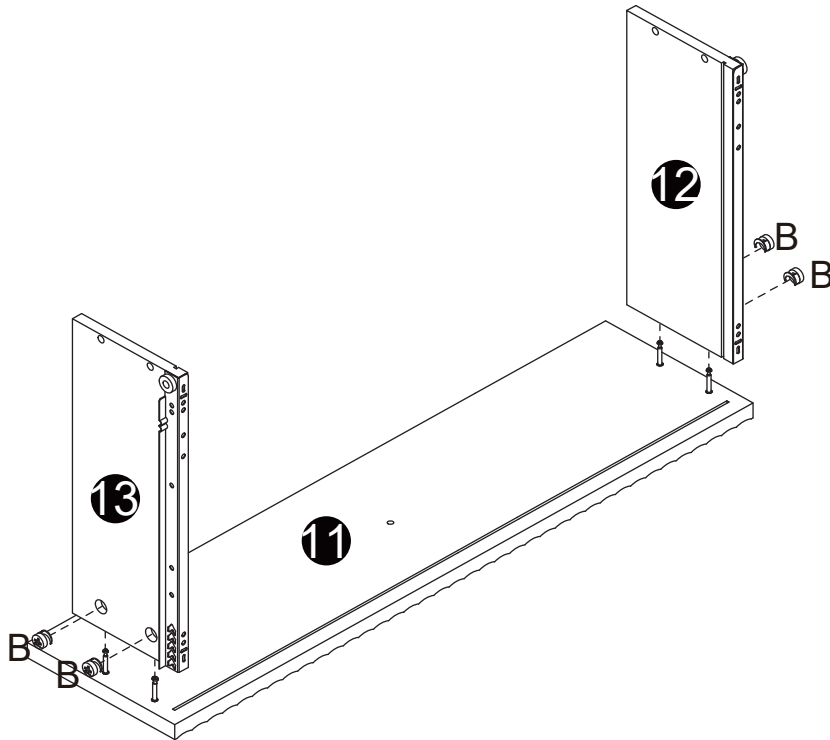
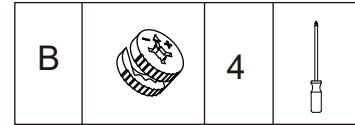
Step 15

A		4	
F		1	
G		1	

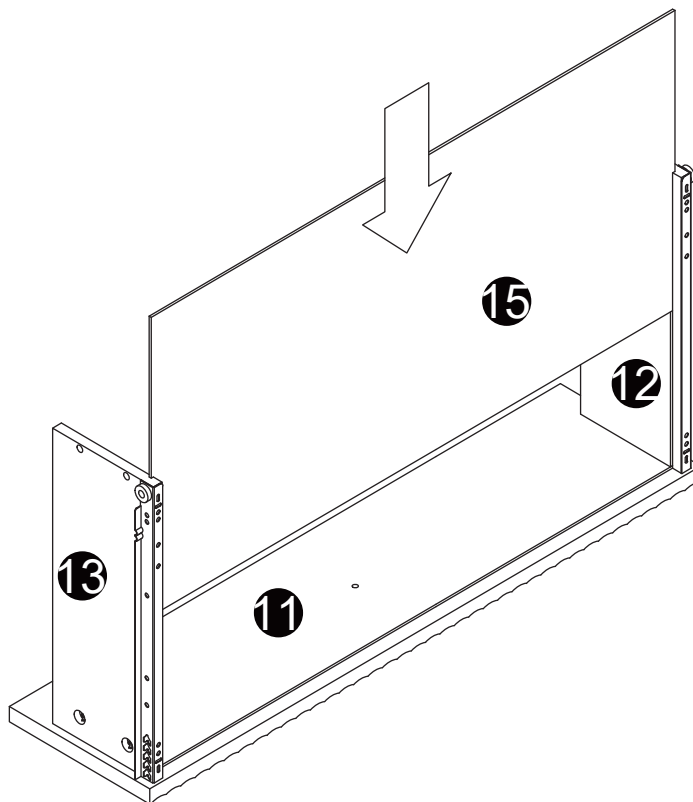


ASSEMBLY INSTRUCTIONS

Step 16

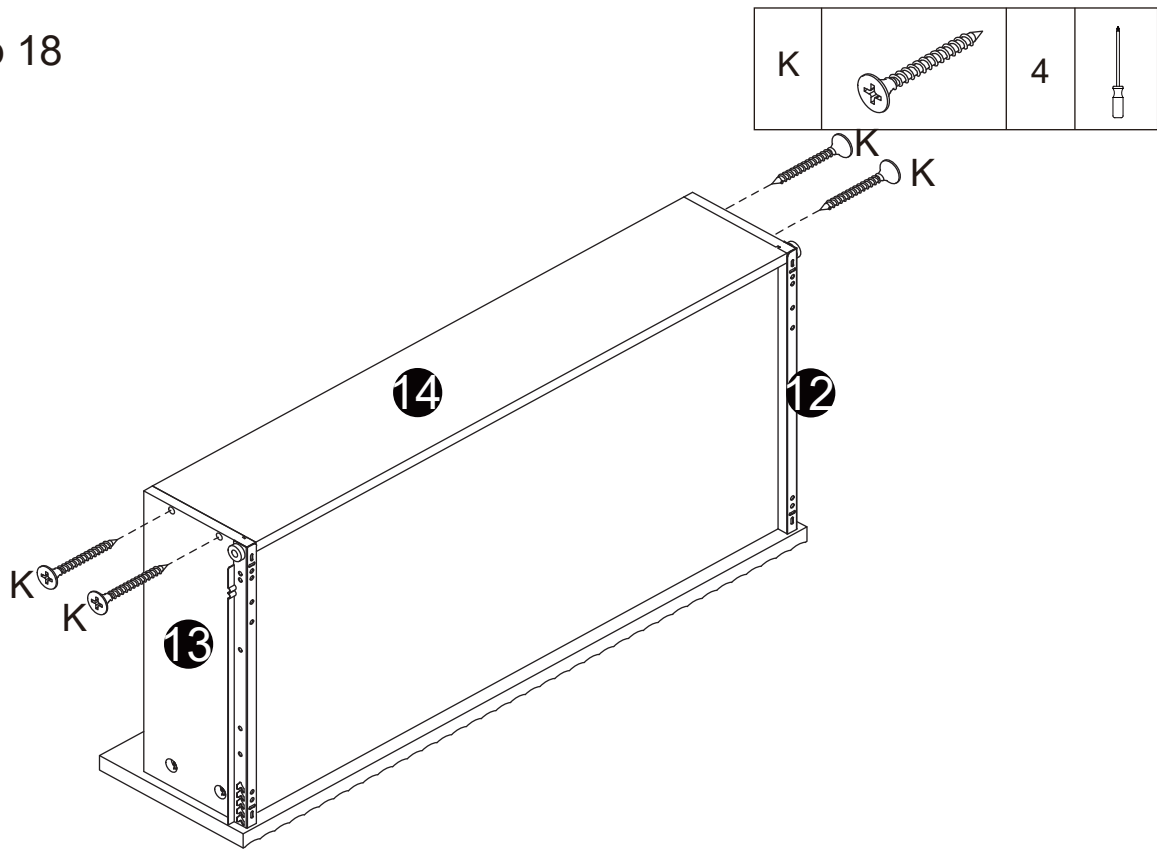


Step 17

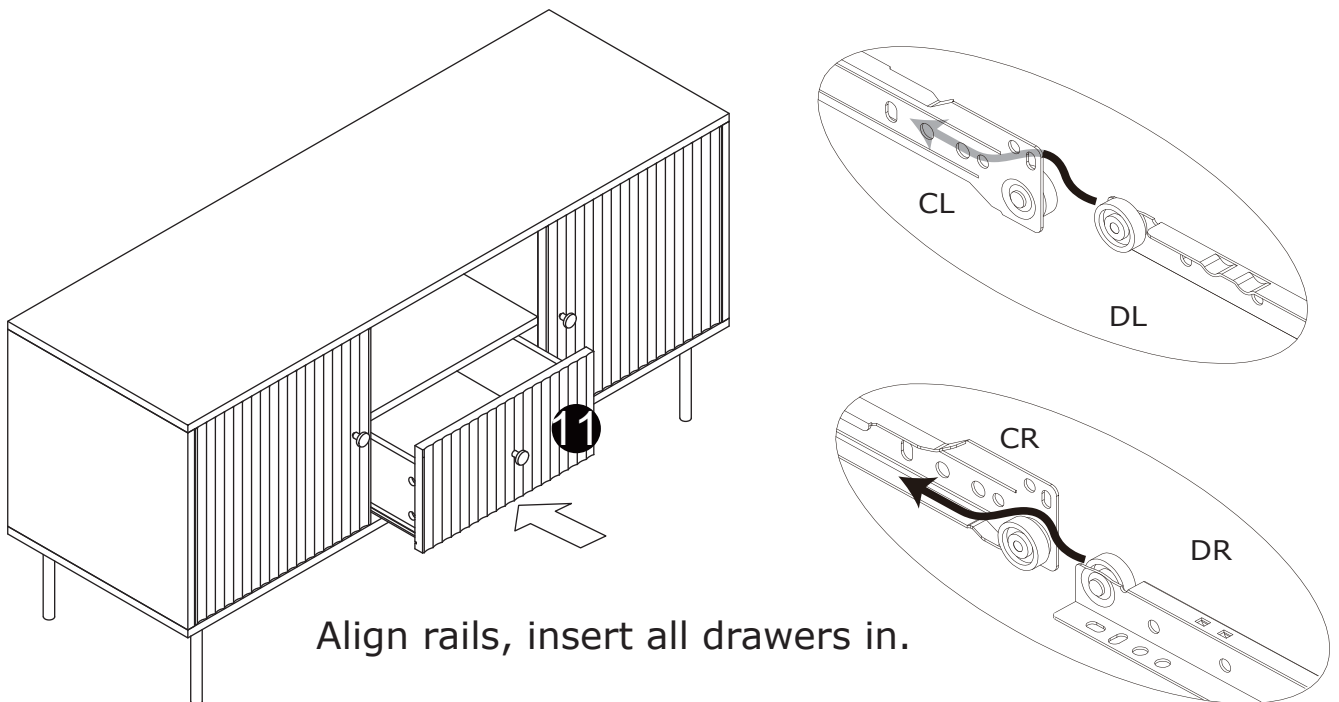


ASSEMBLY INSTRUCTIONS

Step 18



Step 19



ASSEMBLY INSTRUCTIONS

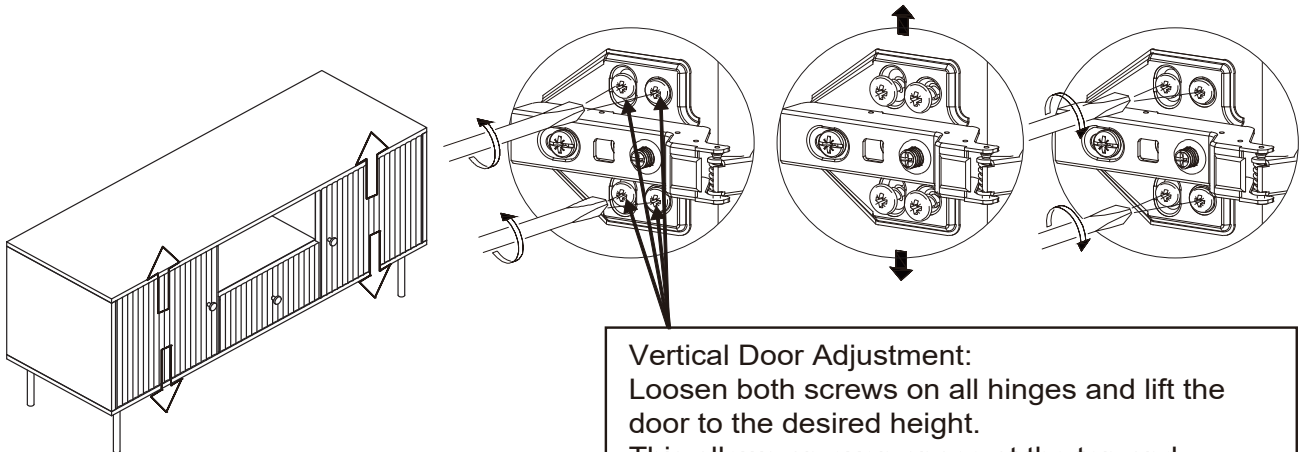
Step 20



Customer Attention:

To align doors and control gap in between doors. Product doors may need adjusting during and after assembly.

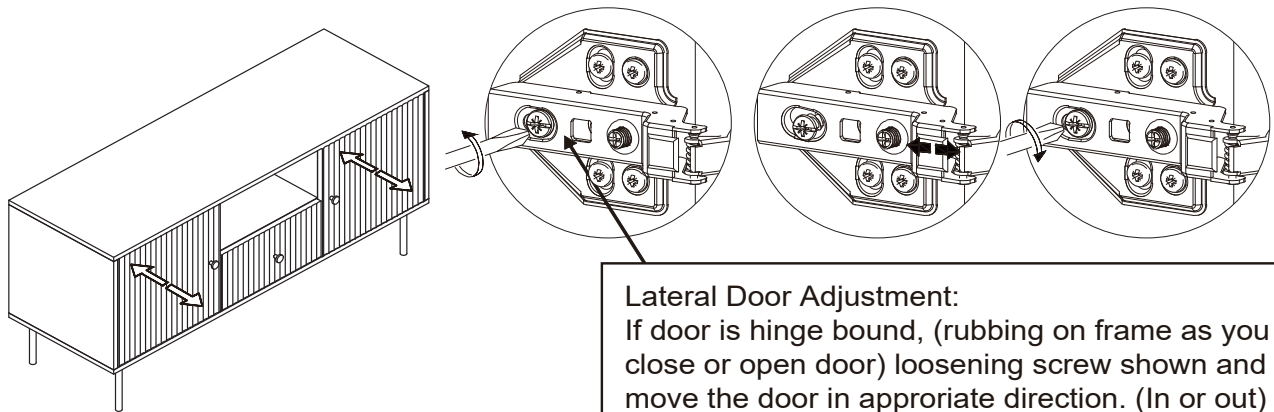
This can be done by adjusting appropriate screws. See below illustration.



Vertical Door Adjustment:

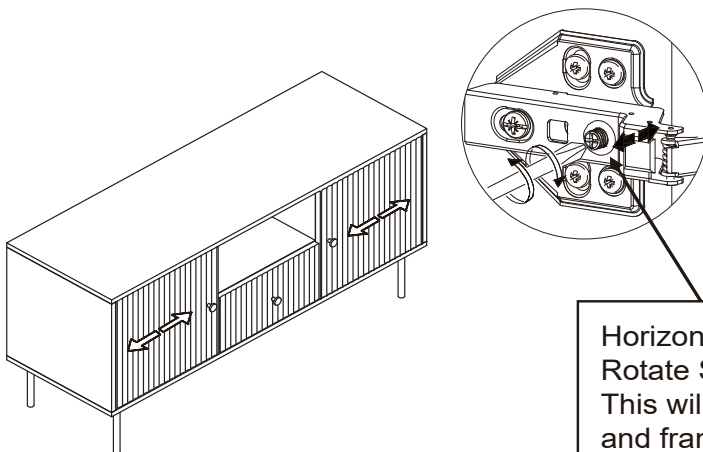
Loosen both screws on all hinges and lift the door to the desired height.

This allows an even space at the top and bottom between the door and frame.



Lateral Door Adjustment:

If door is hinge bound, (rubbing on frame as you close or open door) loosening screw shown and move the door in appropriate direction. (In or out)

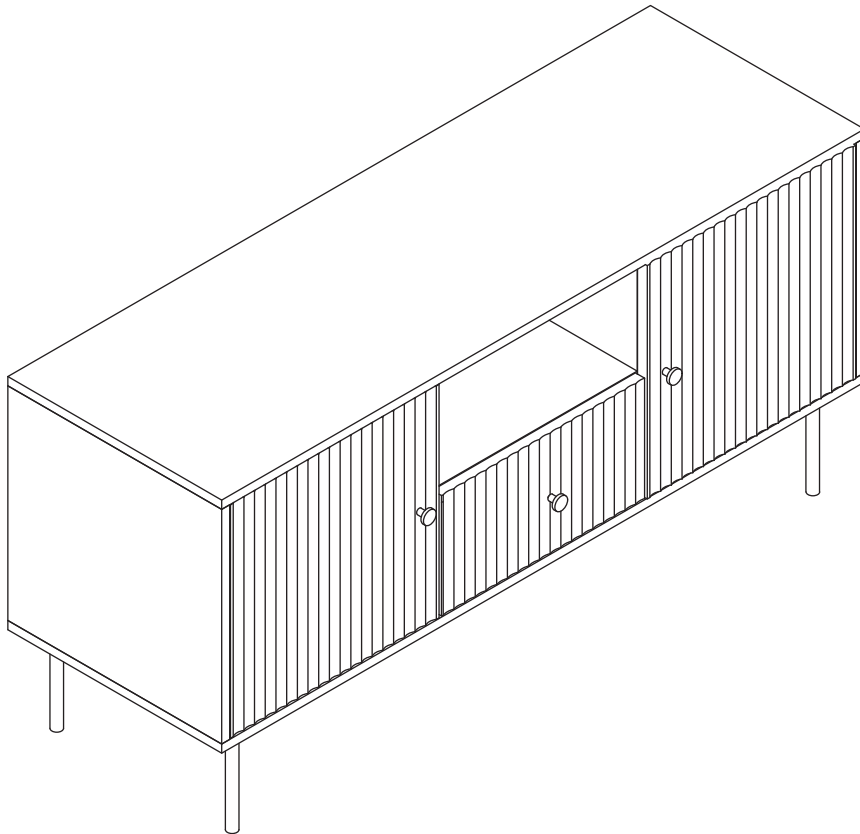


Horizontal Door Adjustment:

Rotate Screw clockwise or anticlockwise.

This will produce an even gap between doors and frame.

ASSEMBLY INSTRUCTIONS



*Congratulations!
Now you have finished assembling the product.*