

NOTICE

*Please make sure that you have all parts indicated and they are in good condition before you begin assembly of this item. Refer to part list and hardware list below for guidance.

*This item should be assembled on a soft surface to prevent scratching the finish during assembly.

*This item may require periodic tightening.

*If you are having difficulty, our friendly Customer Care team is always here to help.

PREPARATION

*Before beginning assembly of product, make sure all parts are present. Compare parts with part contents list and hardware contents list.

*If any part is missing or damaged, do not attempt to assemble the product.


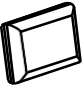







*Tools Required for Assembly (included): Allen Key and Wrench Key

*Estimated Assembly Time: 10 minutes.

CARE AND MAINTENANCE

Store outdoor furniture indoors or cover well when not in use. Dust regularly with small brush or vacuum. Spills should be taken care of immediately before they harden or stain with a slightly damp sponge.

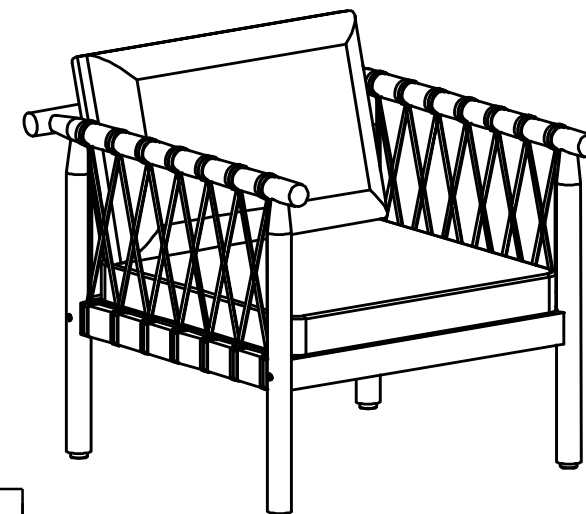
Part List and Hardware List

PIECE	DESCRIPTION	PICTURE	QUANTITY				
A	Left Leg Panel		1x	F	Back Cushion		1x
B	Right Leg Panel		1x	HW1	Allen Key		1x
C	Backrest Panel		1x	HW2	Allen screw M7x70mm		6x
D	Seat Panel		1x	HW3	Allen bolt M6x45mm		2x
E	Seat Cushion		1x				

Owner Manual

PRODUCT DIMENSIONS:

SABRINA ARMCHAIR: 29.13"W x 30.71"D x 25.59"H



Weight capacity : 275 Lbs (single seat)
 Warning : Do not stand on chair
 Warning : Do not over torque bolts/screws

PREPARATION

*Before beginning assembly of product, make sure all parts are present. Compare parts with part contents list and hardware contents list.

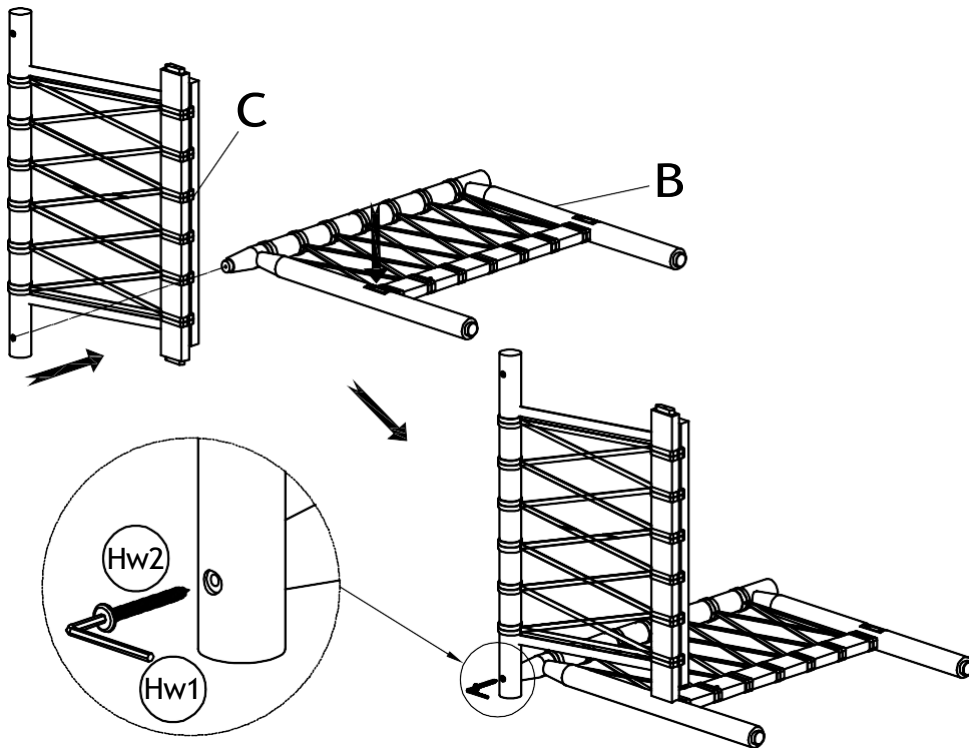
*If any part is missing or damaged, do not attempt to assemble the product.

*Estimated Assembly Time: 10 minutes.

*Tools Required for Assembly (included): Allen Key

*If you are having difficulty, our friendly Customer care team is always here to help.

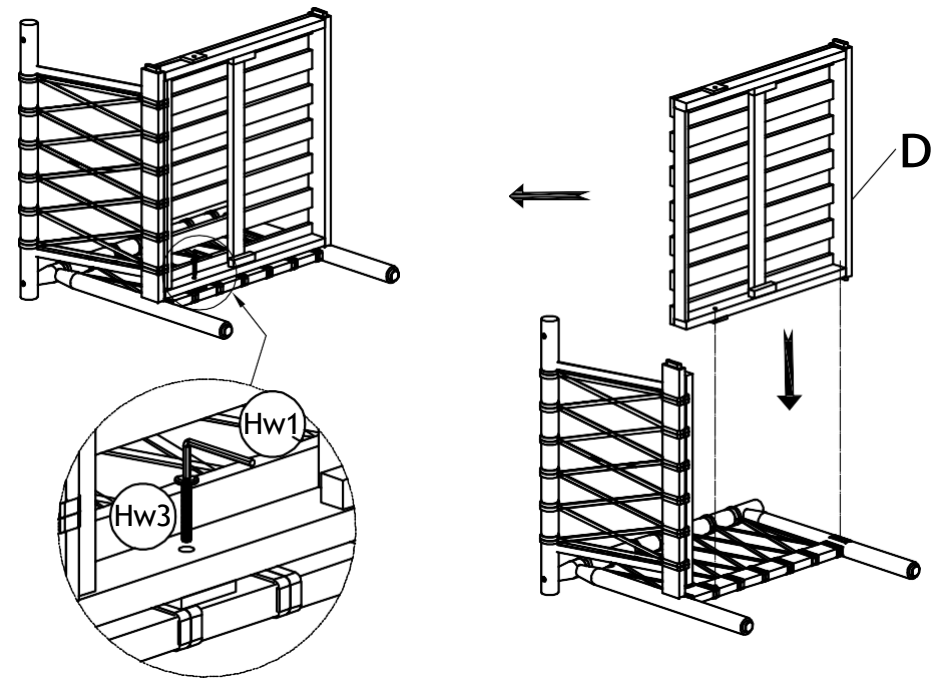
1



STEP 1: Assemble Backrest Panel (C) with Right Leg Panel (B) by Allen Screw (HW2) and using Allen Key (HW1) to fit.

When tightening the Bolts and Screws, tighten sequentially.

2



STEP 2: Assemble Seat Panel (D) with Right Leg Panel (B) by Allen Bolt (HW3) and use Allen Key (HW1) to fit.

When tightening the Bolts and Screws, tighten sequentially.

PREPARATION

*Before beginning assembly of product, make sure all parts are present. Compare parts with part contents list and hardware contents list.

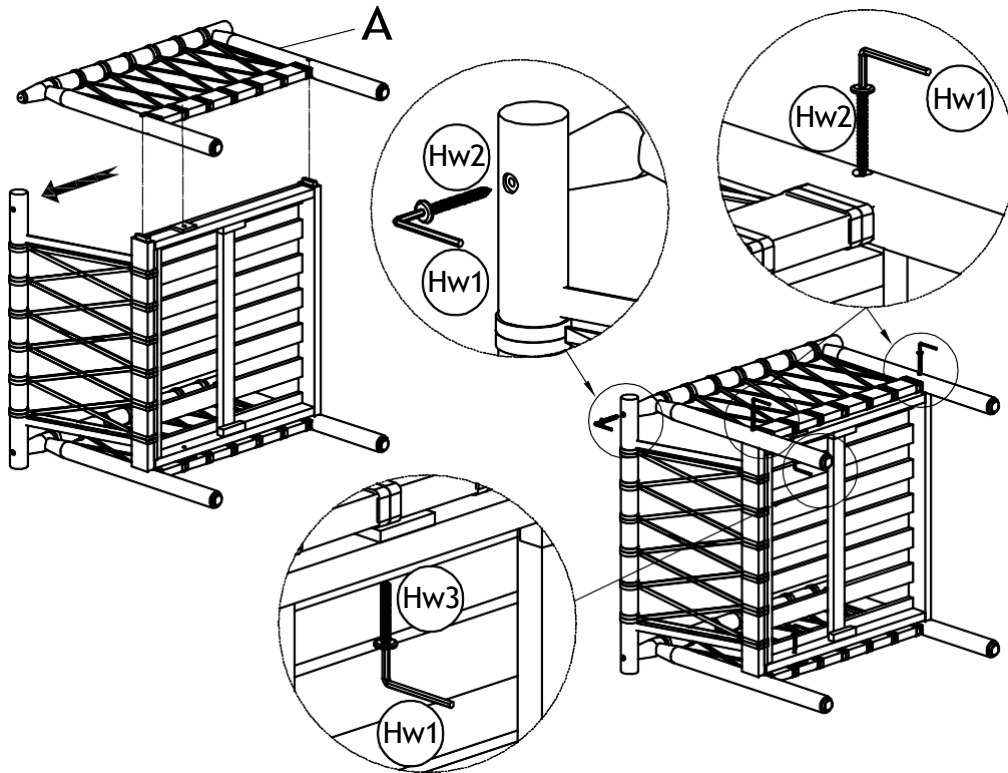
*If any part is missing or damaged, do not attempt to assemble the product.

*Estimated Assembly Time: 10 minutes.

*Tools Required for Assembly (included): Allen Key

*If you are having difficulty, our friendly Customer care team is always here to help.

3

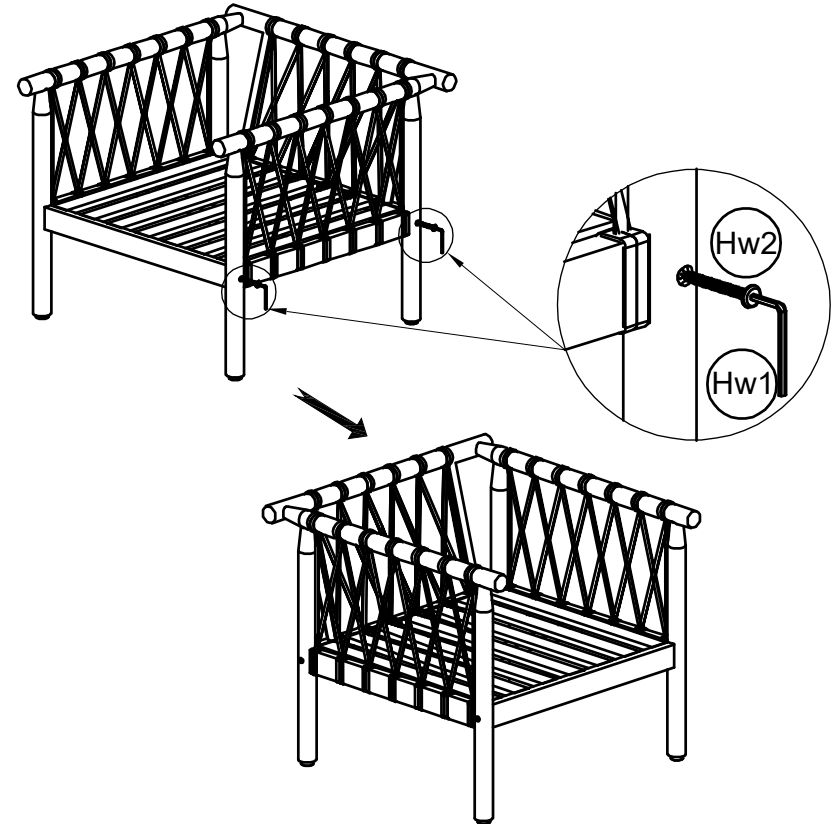


STEP 3: Assemble Left Leg Panel (A) with Backrest Panel (C) and Seat Panel (D) by 3 Allen Screws (HW2), using Allen Key (HW1) to fit.

Then, secure Left Leg Panel (A) with Seat Panel (D) by Allen Bolt (HW3), using Allen Key (HW1) to fit.

When tightening the Bolts and Screws, tighten sequentially.

4



STEP 4: Assemble Right Leg Panel (A) with Seat Panel (D) by 2 Allen Screw (HW2) and using Allen Key (HW1) to fit.

When tightening the Bolts and Screws, tighten sequentially.

PREPARATION

*Before beginning assembly of product, make sure all parts are present. Compare parts with part contents list and hardware contents list.

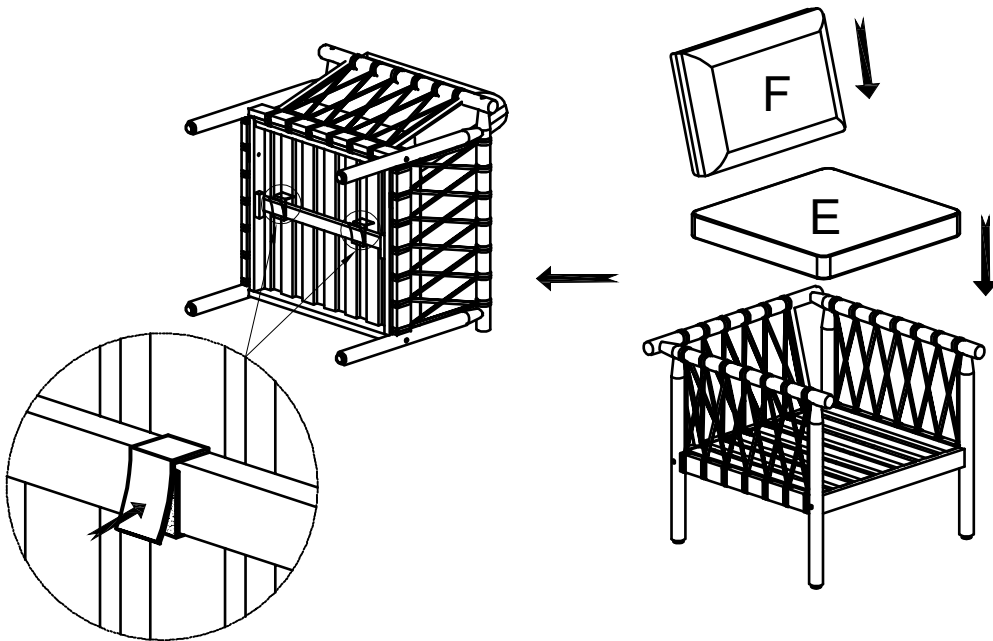
*If any part is missing or damaged, do not attempt to assemble the product.

*Estimated Assembly Time: 10 minutes.

*Tools Required for Assembly (included): Allen Key

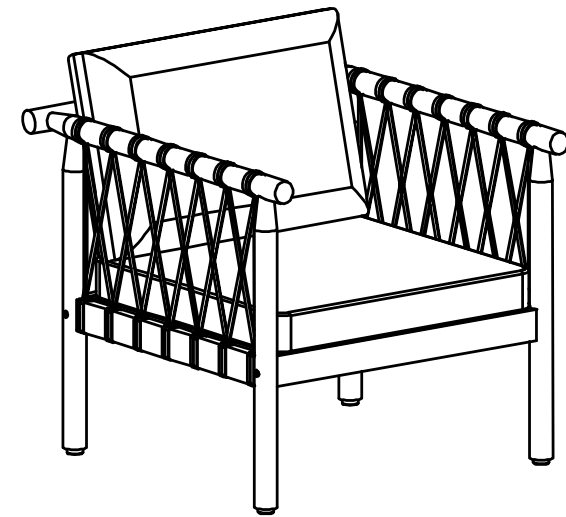
*If you are having difficulty, our friendly Customer care team is always here to help.

5



STEP 5: Place Seat Cushion (E) and Back Cushion (F) onto the Chair.
Tie the velcro straps of Seat Cushion (E) to the support slat of Seat Panel (D) as shown above.

6



STEP 6: Inspect the Chair and make sure all parts are connected. Place Chair in a flat surface for use.