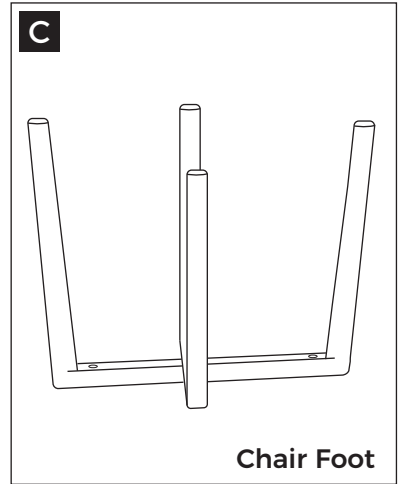
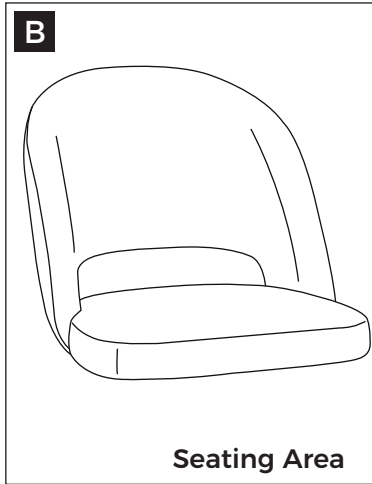
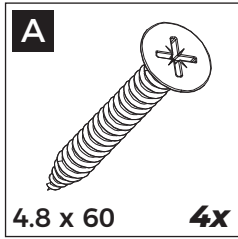


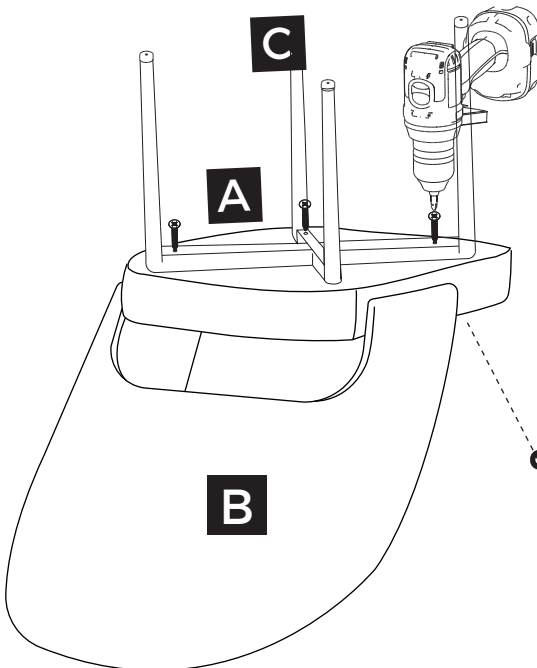
# CHAIR INSTALLATION INSTRUCTIONS

## Content



## Assembly Stages

- 1 Align the chair legs (**C**) included in the shipment with the seating area (**B**) as shown in the image, and mount them using screws (**A**) at the designated points with the help of a cordless drill or screwdriver.



The legs must be mounted by aligning them with the metal frame located in the seating area (the narrow area facing the back, and the wide area facing the front).