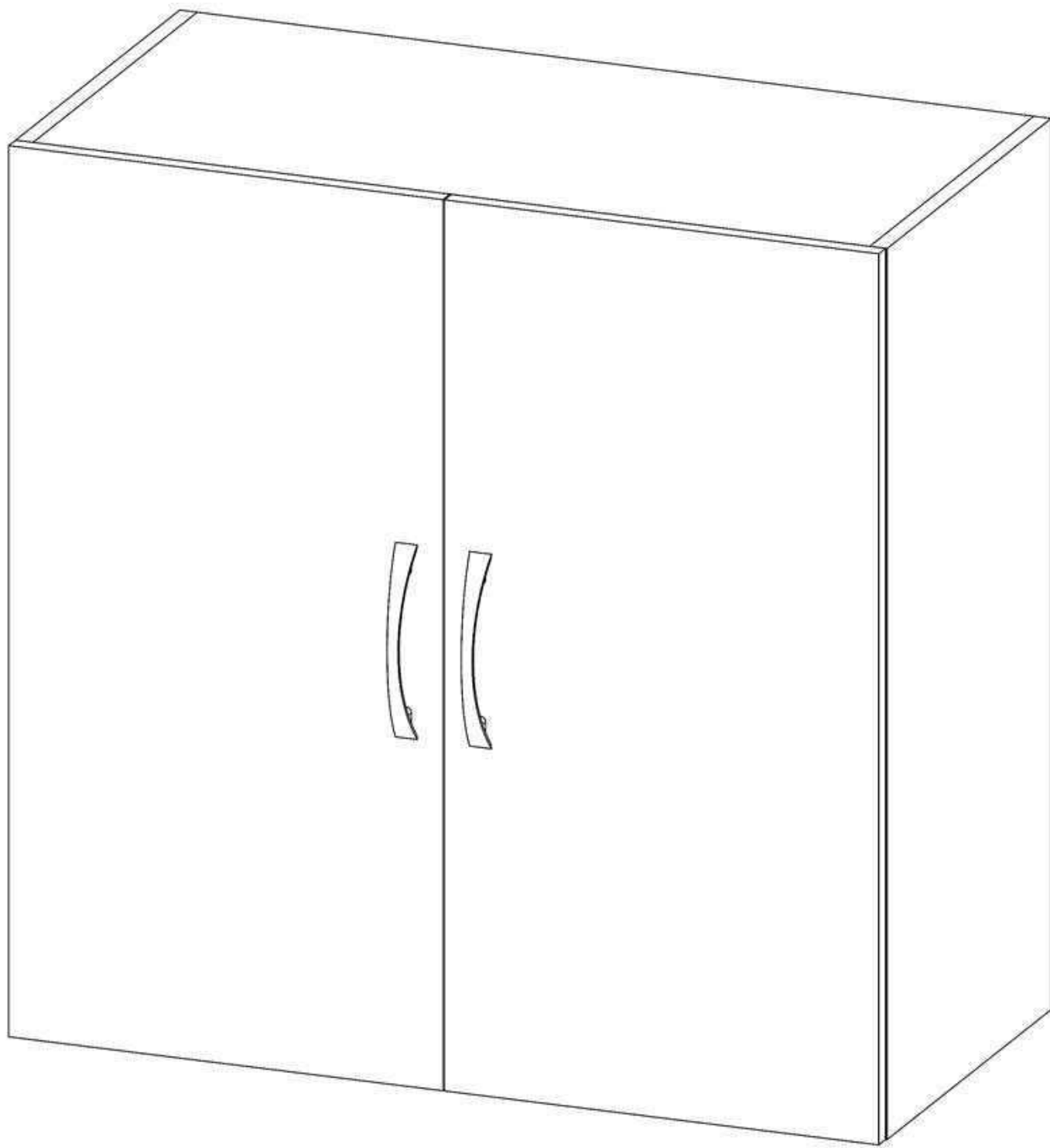


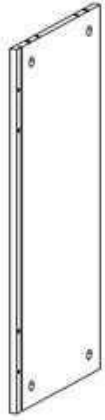
Installation & Assembly



TOOLS:



1



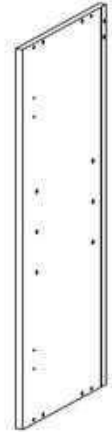
2



3



4



5



6



× 2

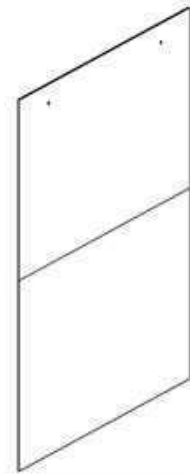
7



8



9



UNIT:MM

(A)
× 12



φ 6*30

(B)
× 12



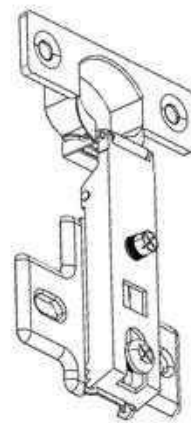
M6*35

(C)
× 12



φ 15*10

(D)
× 4



(E)
× 2



(F)
× 4



M4*16

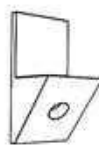
UNIT:MM

(G)
× 16



M4*12

(K)
× 4

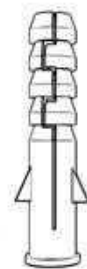


(L)
× 4



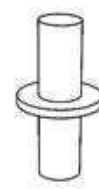
M3*14

(N)
× 2



φ 8*40

(P)
× 4

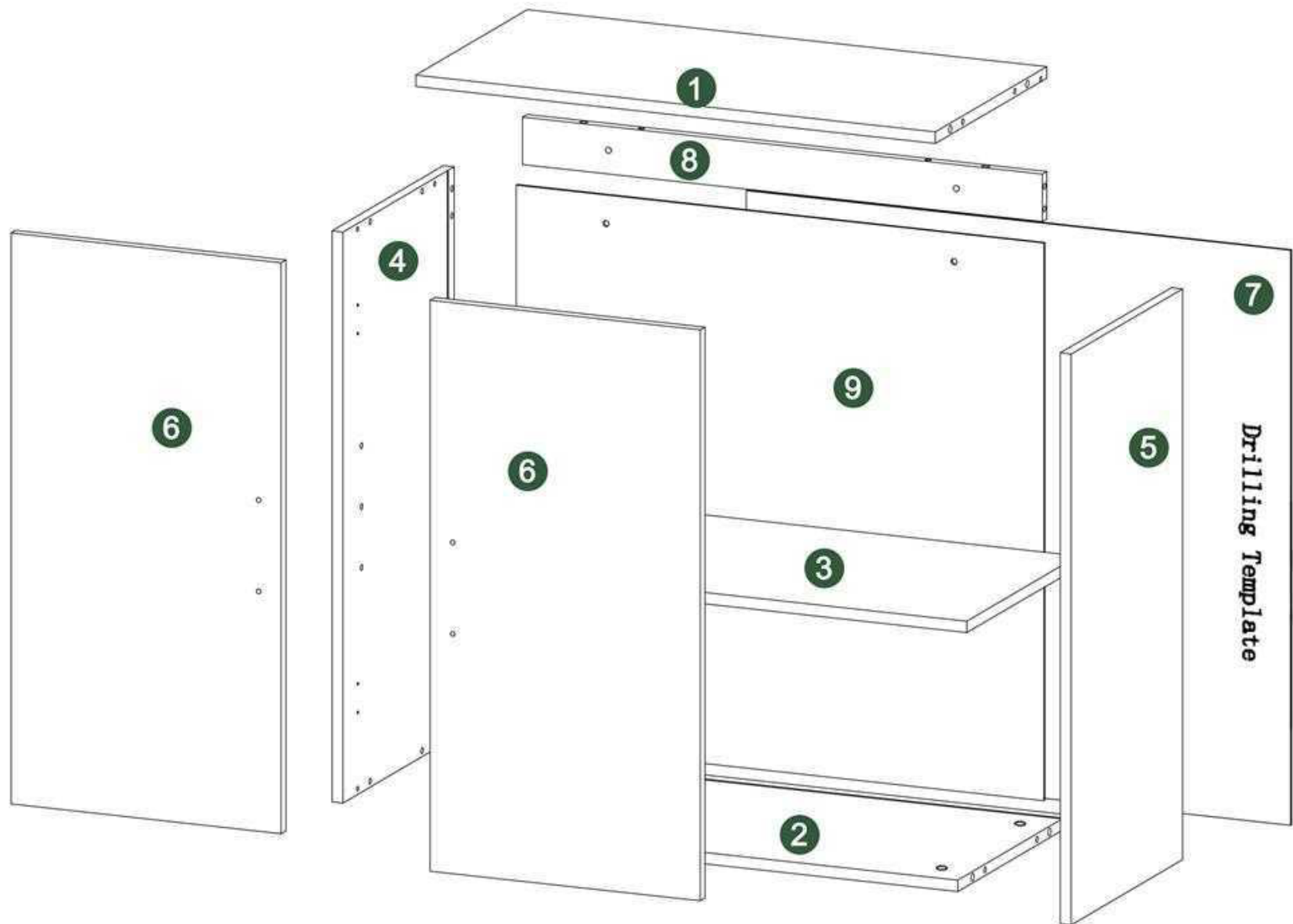


φ 5*17

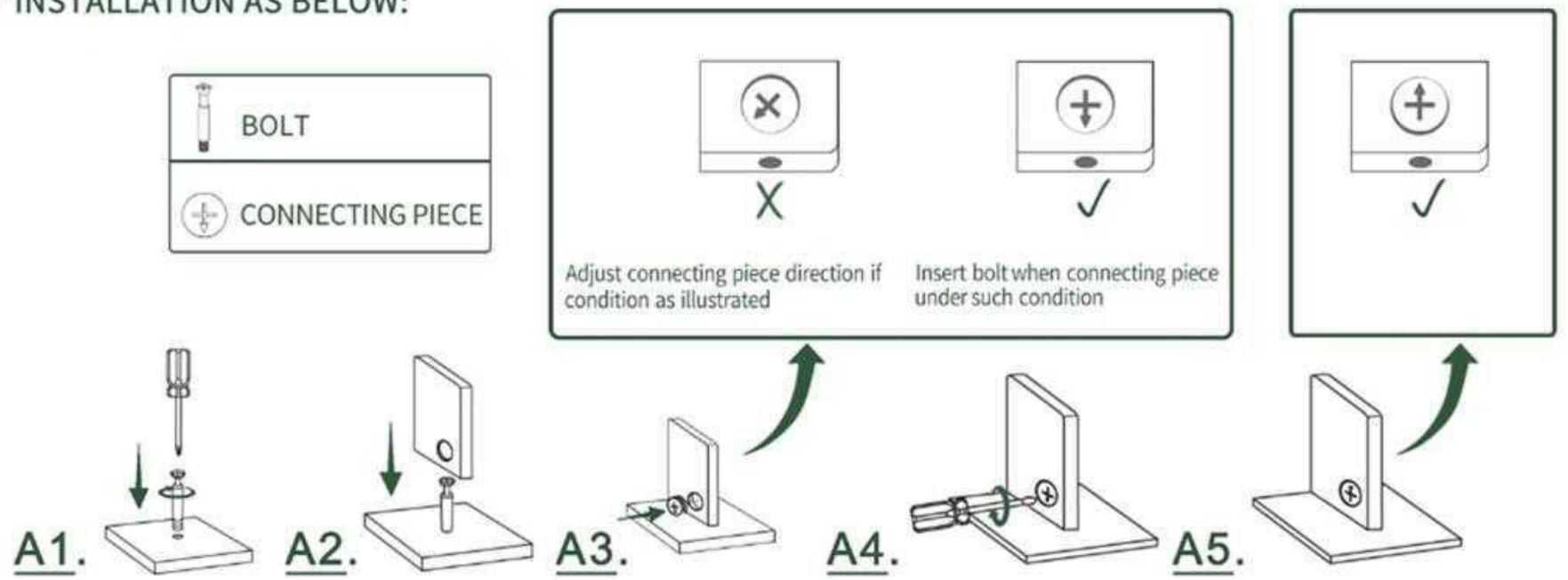
(Q)
× 2



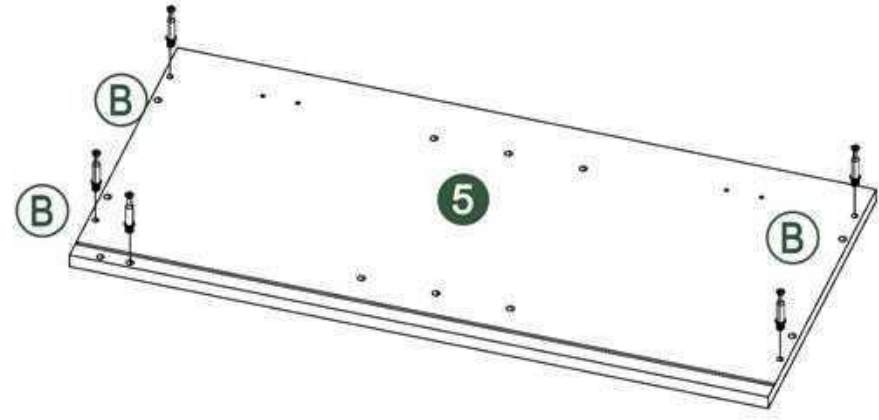
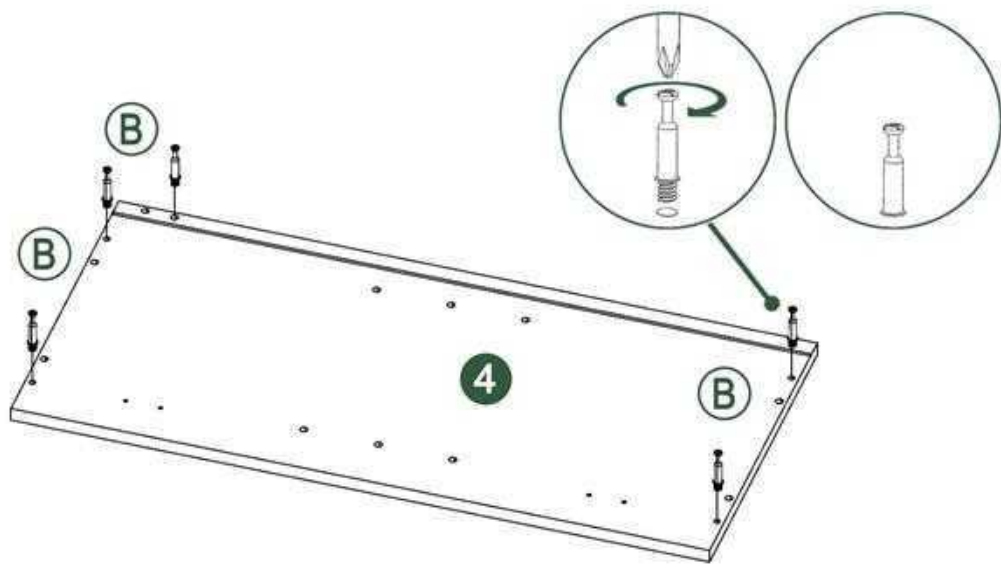
M5*50



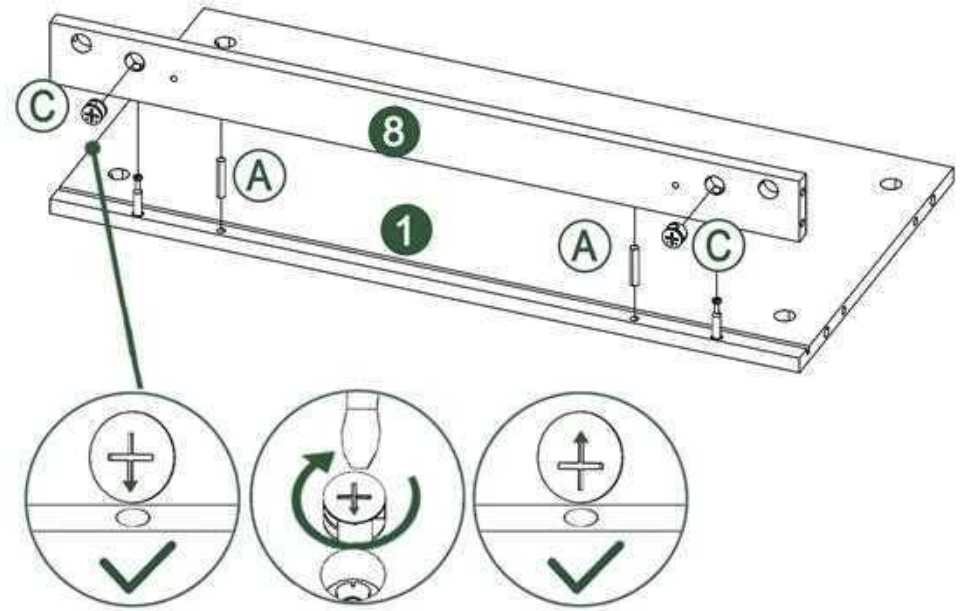
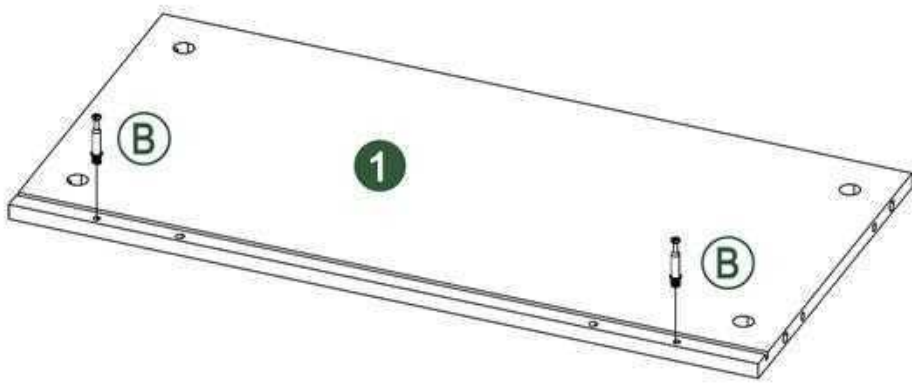
BOLT INSTALLATION AS BELOW:



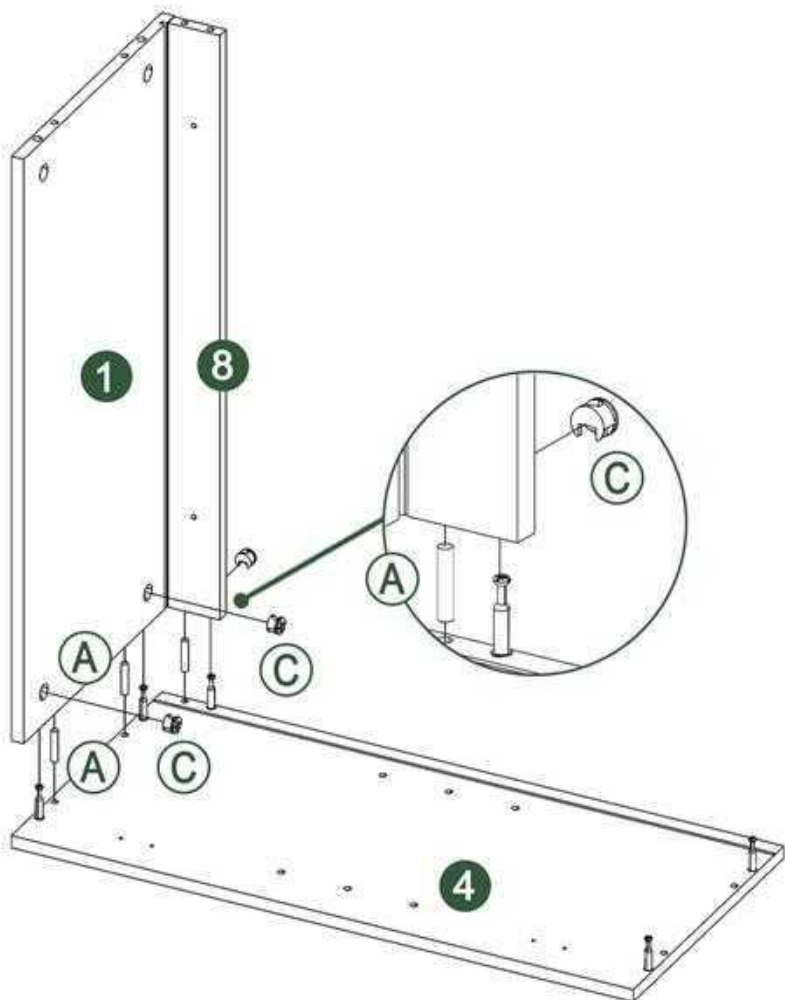
1.



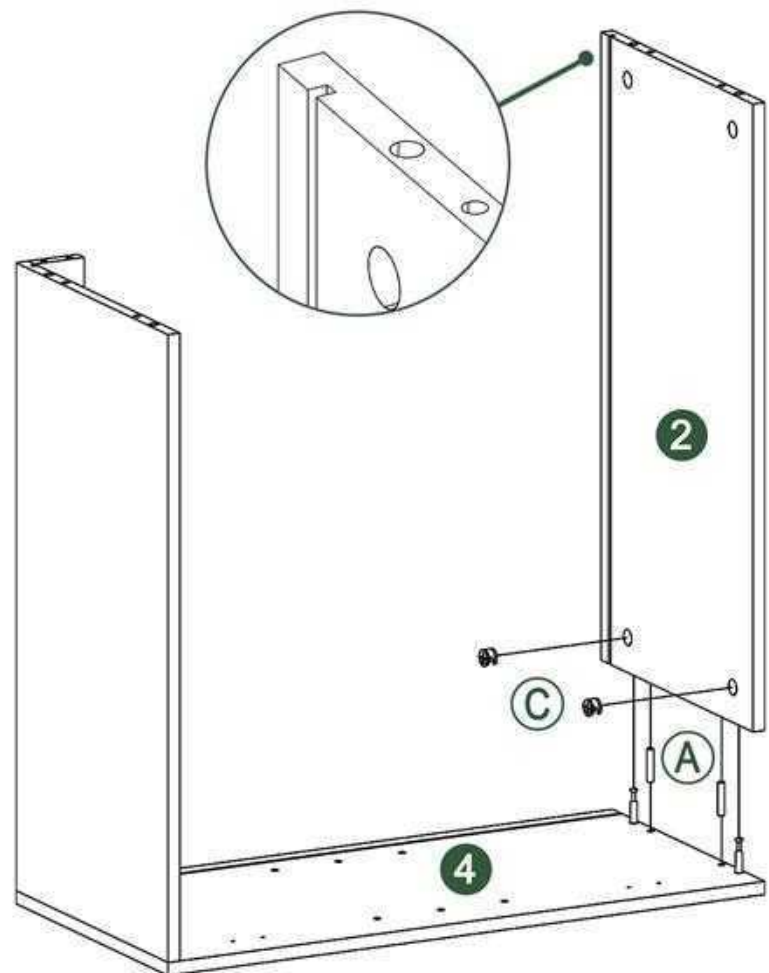
2.



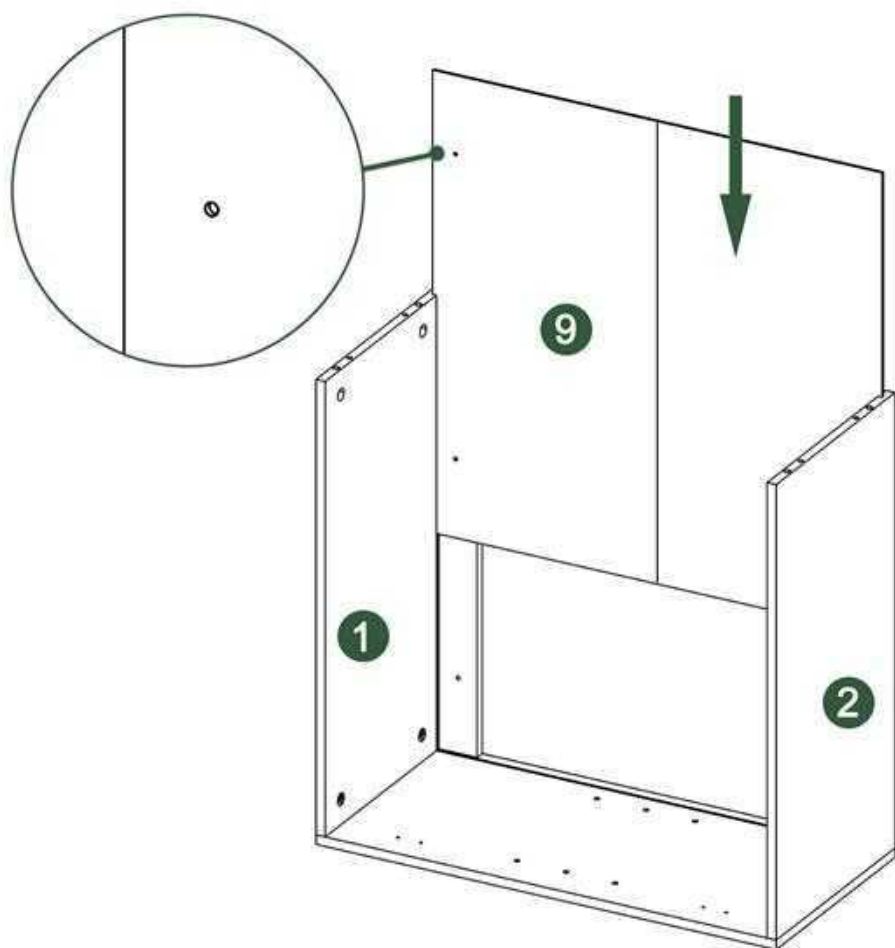
3.



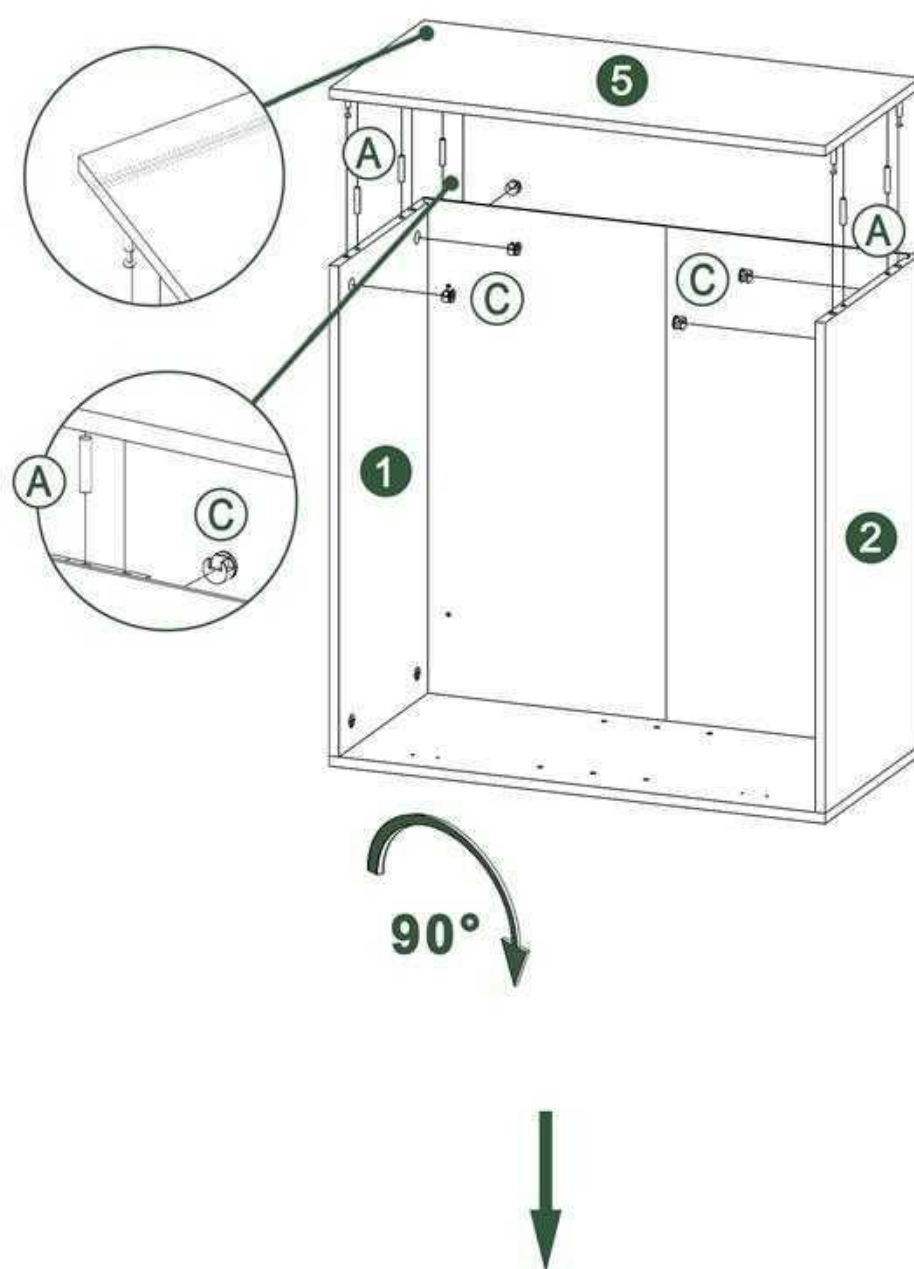
4.



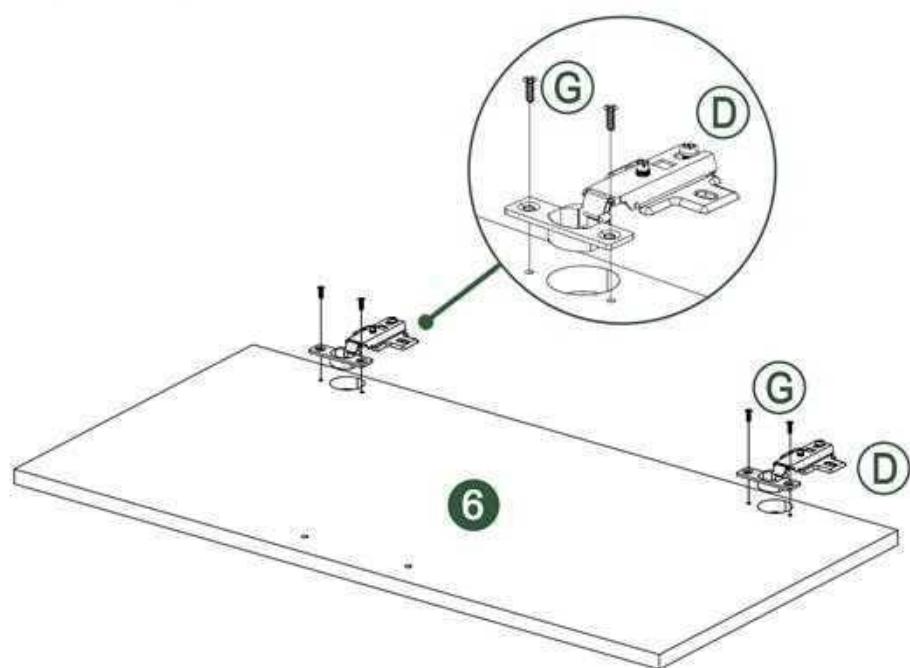
5.



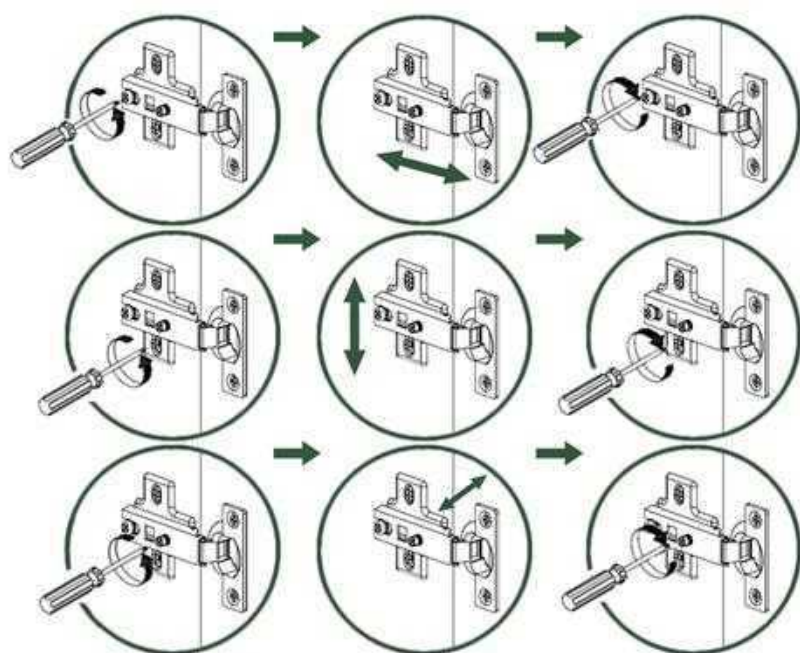
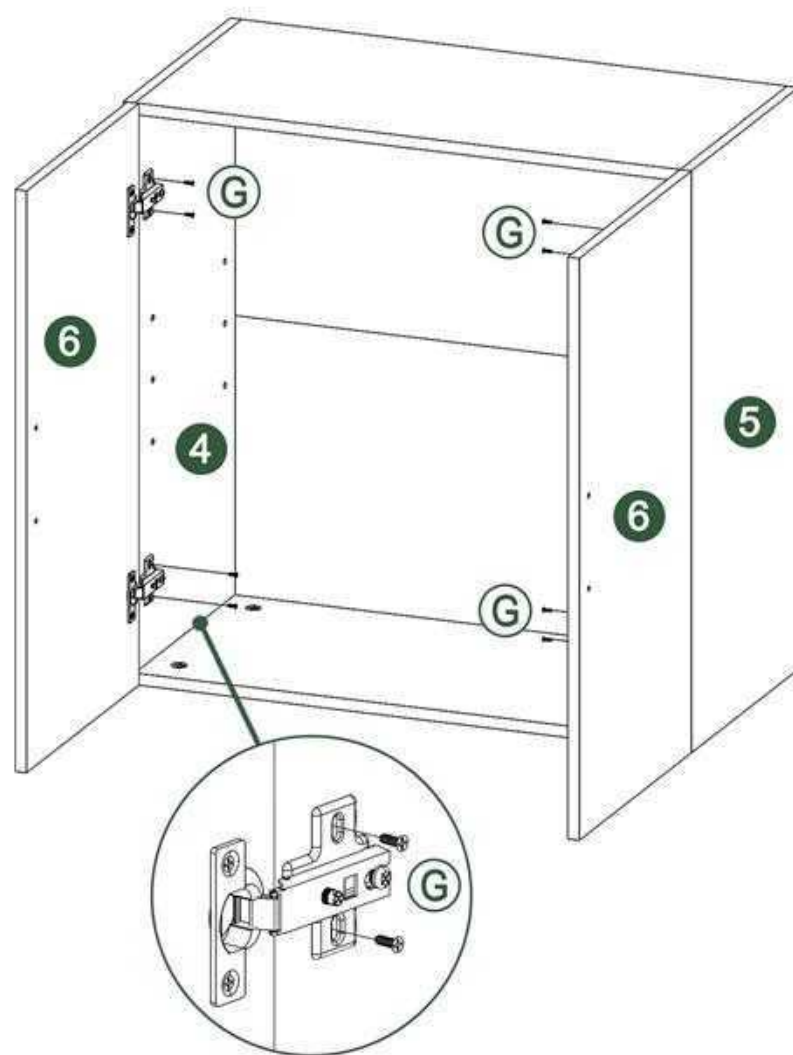
6.



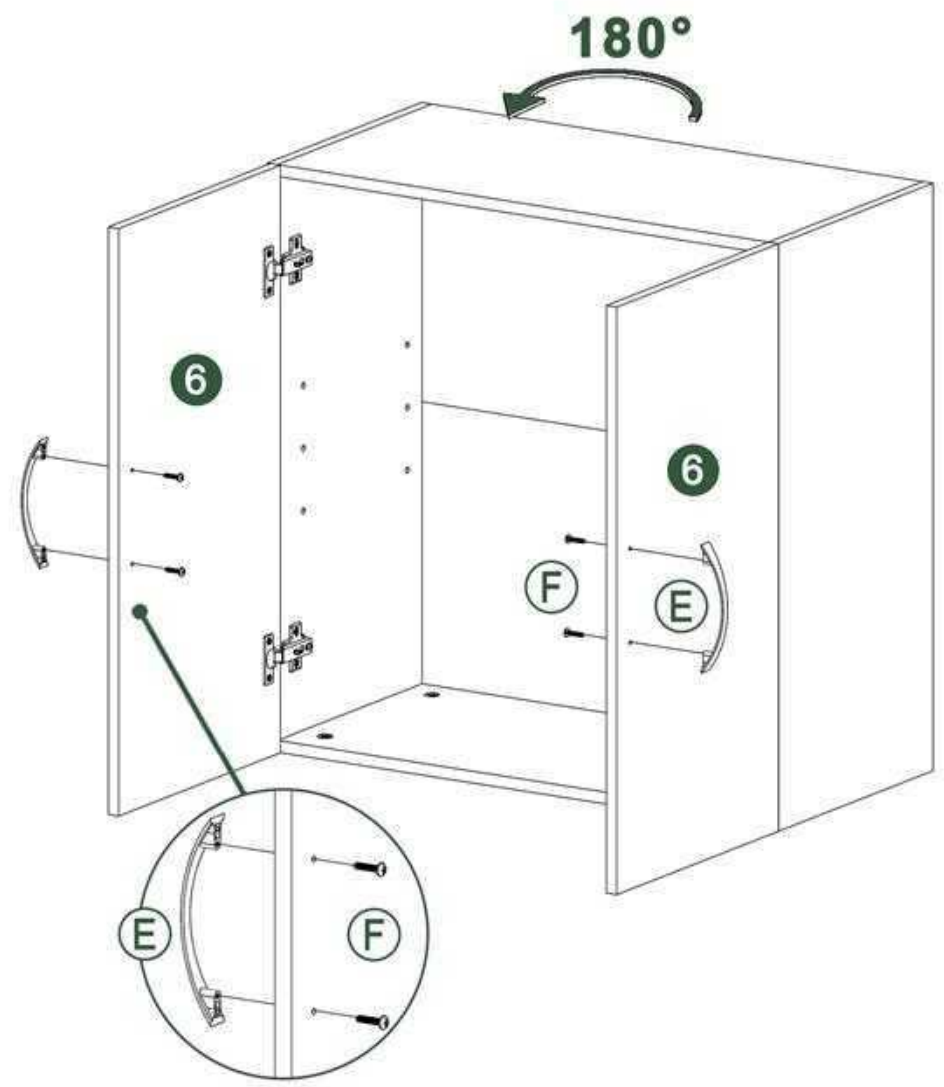
7(X2).



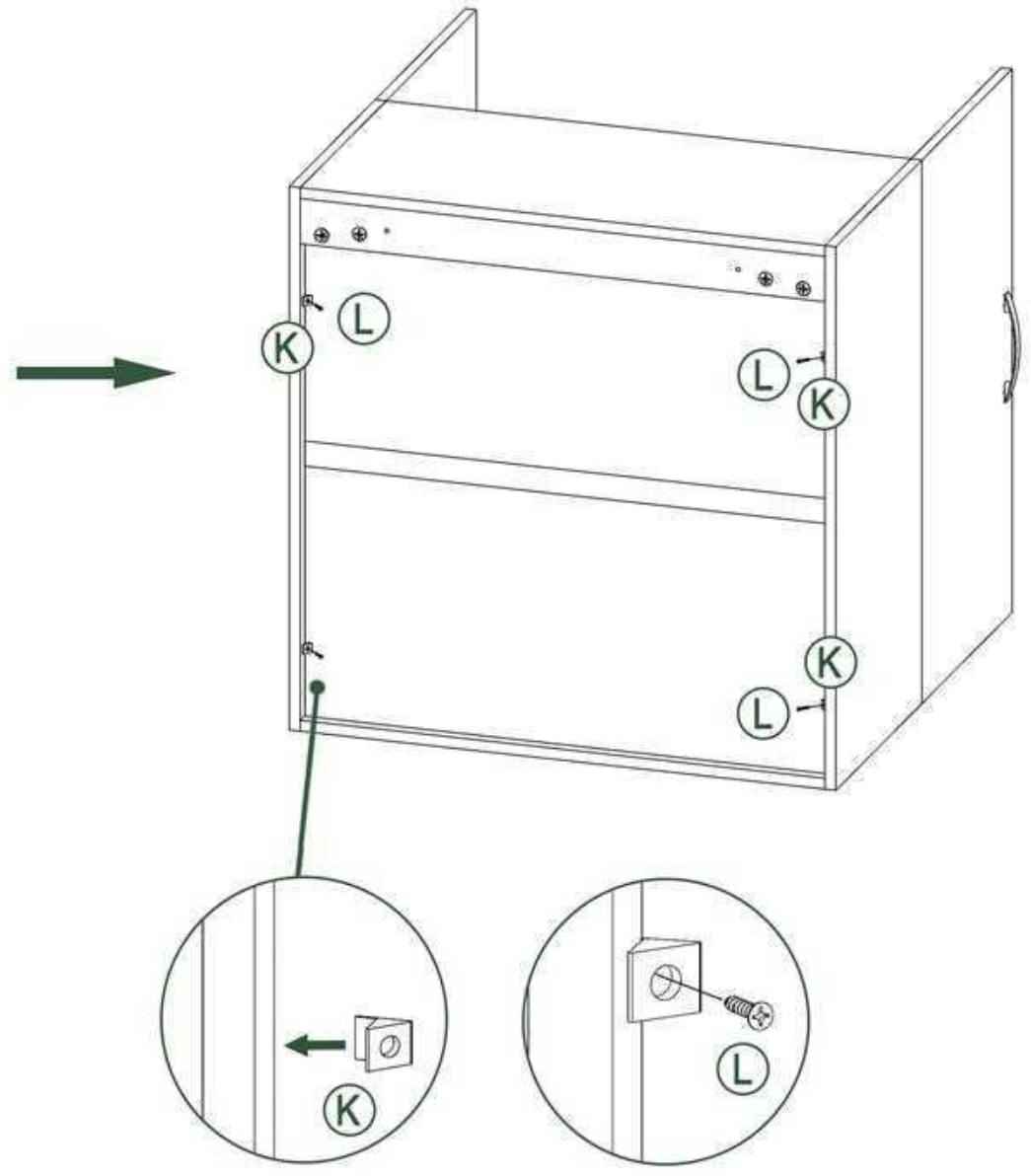
8.






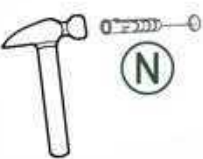
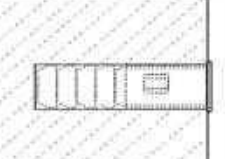
9.

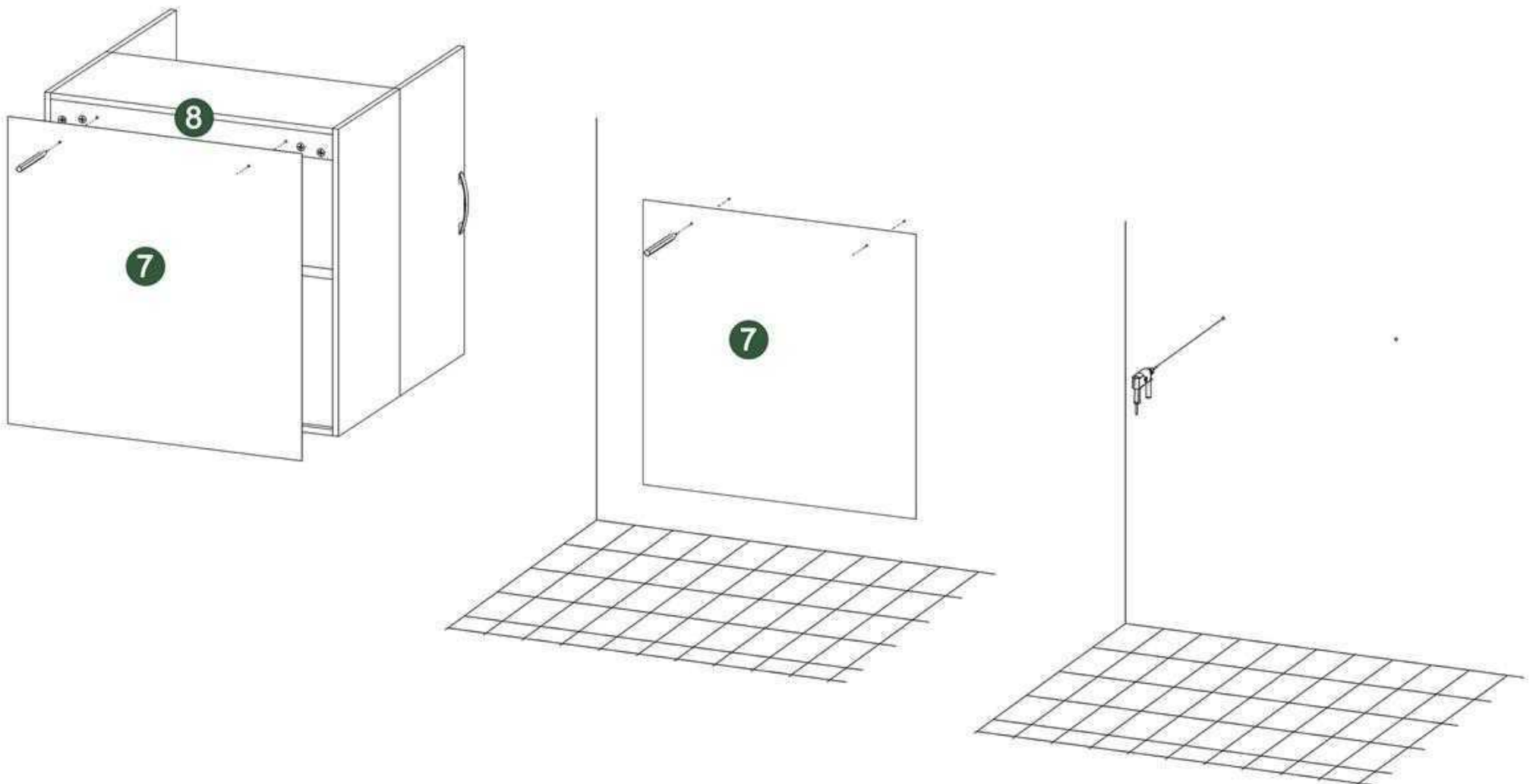


10.

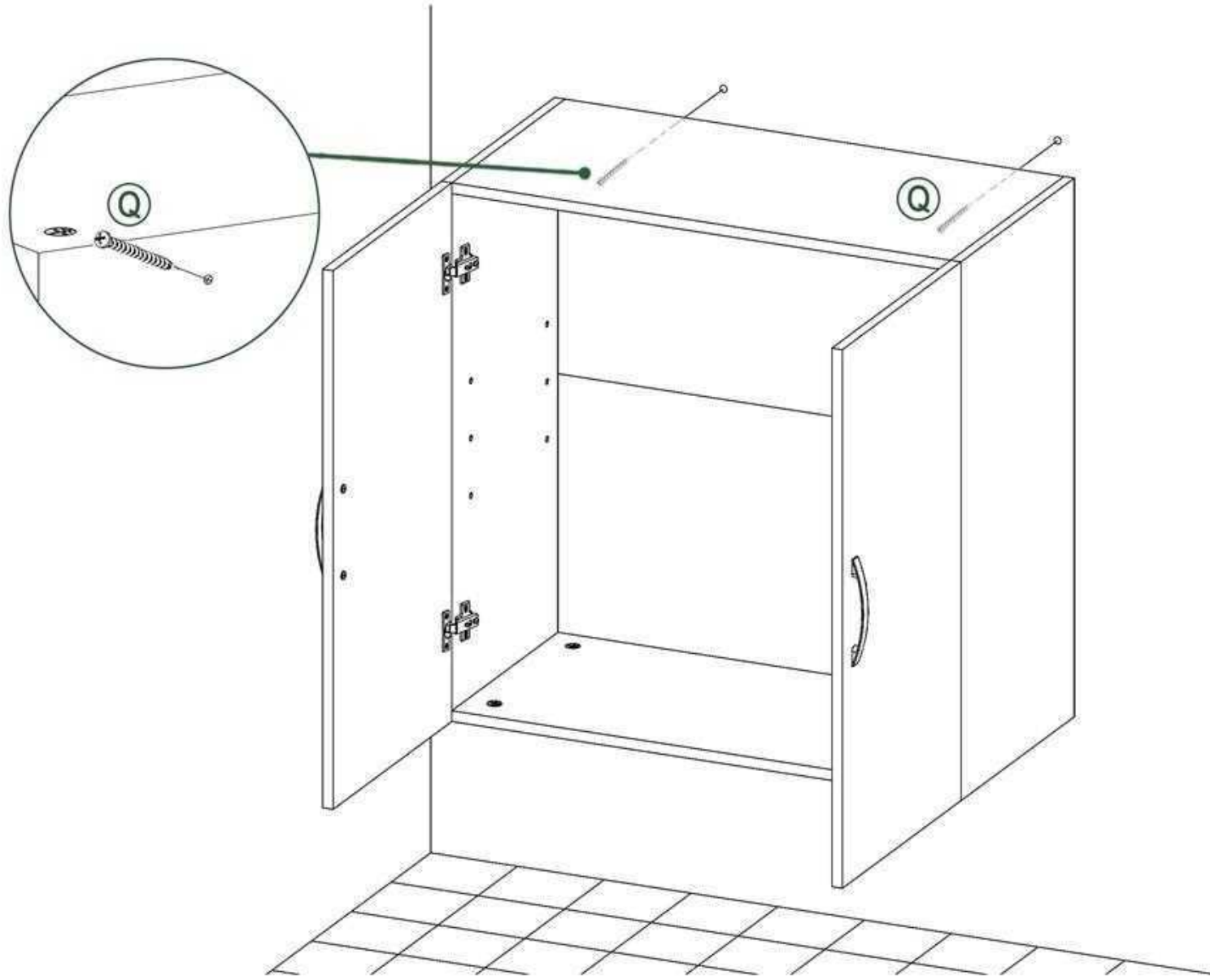


11.

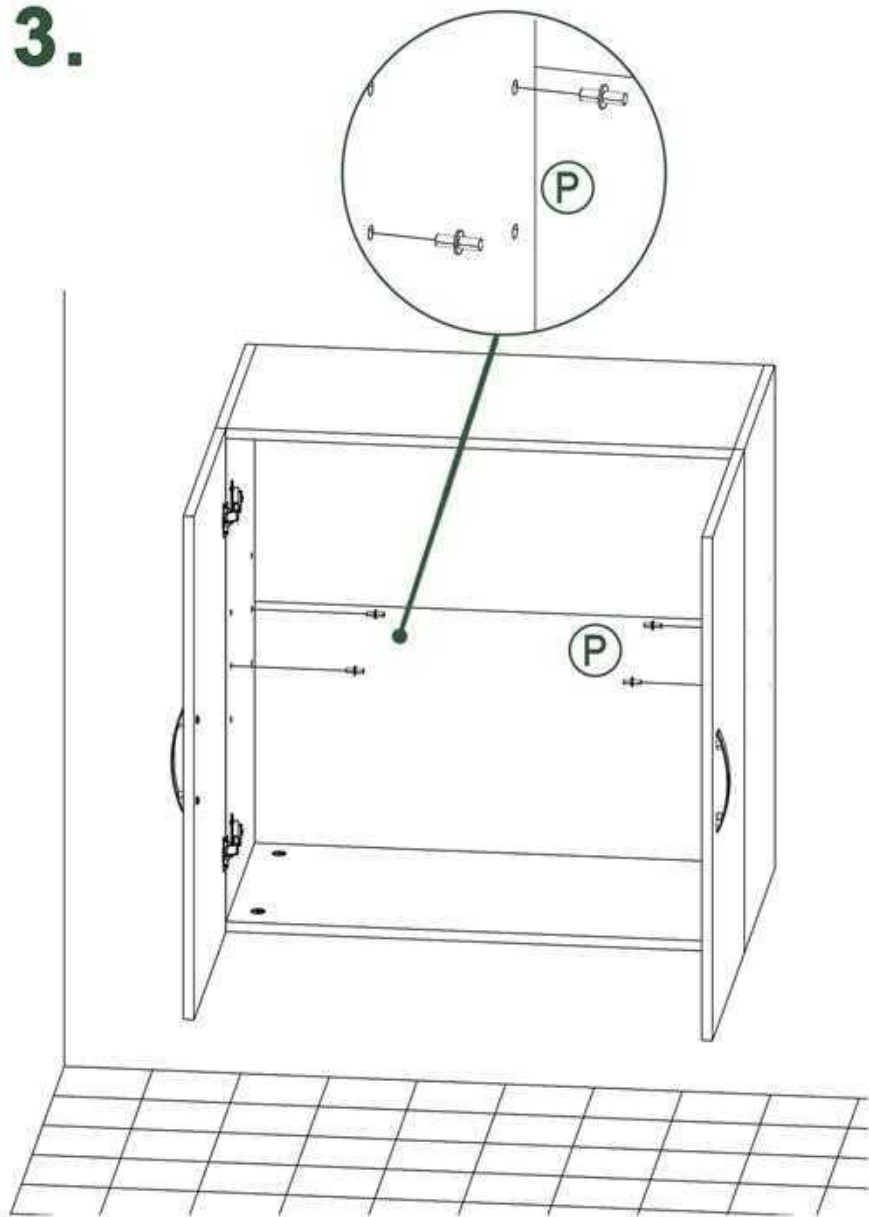
WALL	WALL	WALL	WALL	WALL
				
①×2	②×2	③×2	④×2	
	φ8mm	≥40mm		



12.



13.



14.

