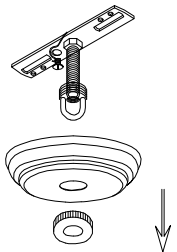
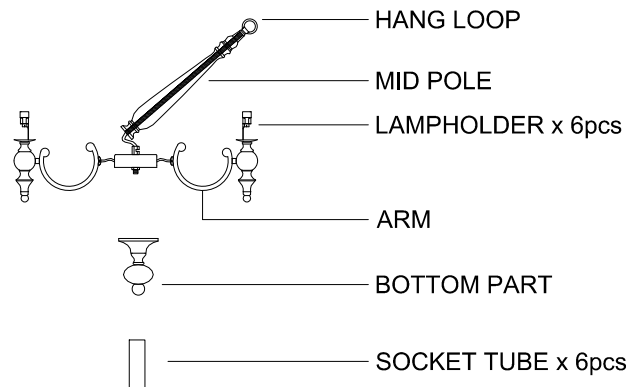
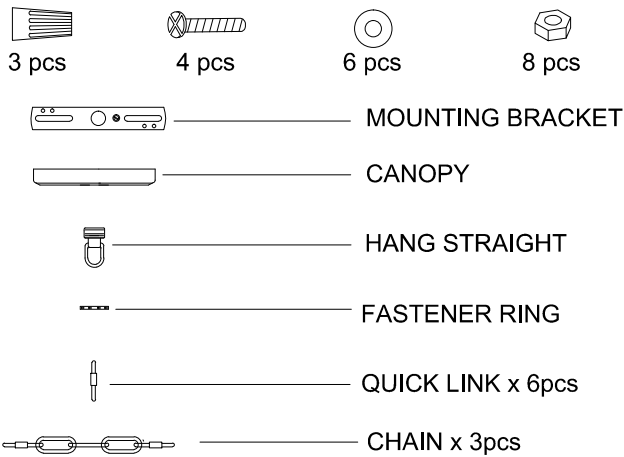
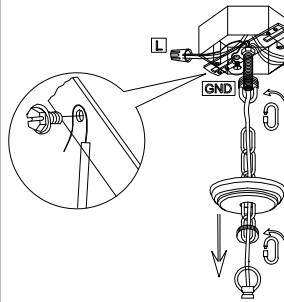


INSTRUCTION MANUAL

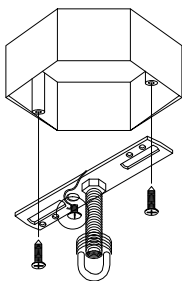
Parts



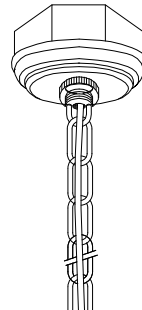
① Release the mounting bracket from the canopy.



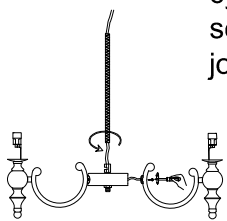
⑤ Connect the Hang Loop to the Chain, let the Fastener ring and Canopy go through the Chain, let the cable go through the thread of the Mounting Bracket, attach the Chain to the Hang Straight, then connect the wires.



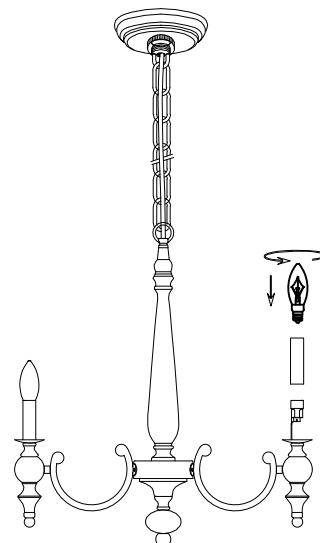
② Fasten the mounting bracket (with Hang Straight) to the ceiling Junction box by the screws.



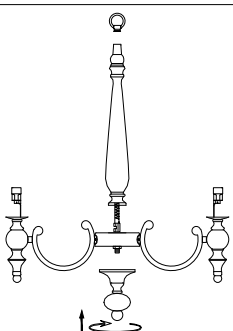
⑥ Position Canopy over Mounting Bracket then lock the Canopy by Fastener Ring.



③ Attach the arm to the mid cylinder and lock it with the screws, install the bolt to the rod joint of the lamp body.



⑦ Put on the Socket Tube and then fasten the Lamp bulbs to the lampholders, E12x6 pcs, type B, 60W Max is recommended.



④ Attach the mid pole to the lamp body and lock it with the hang loop. Install the bottom part to the bottom rod joint.