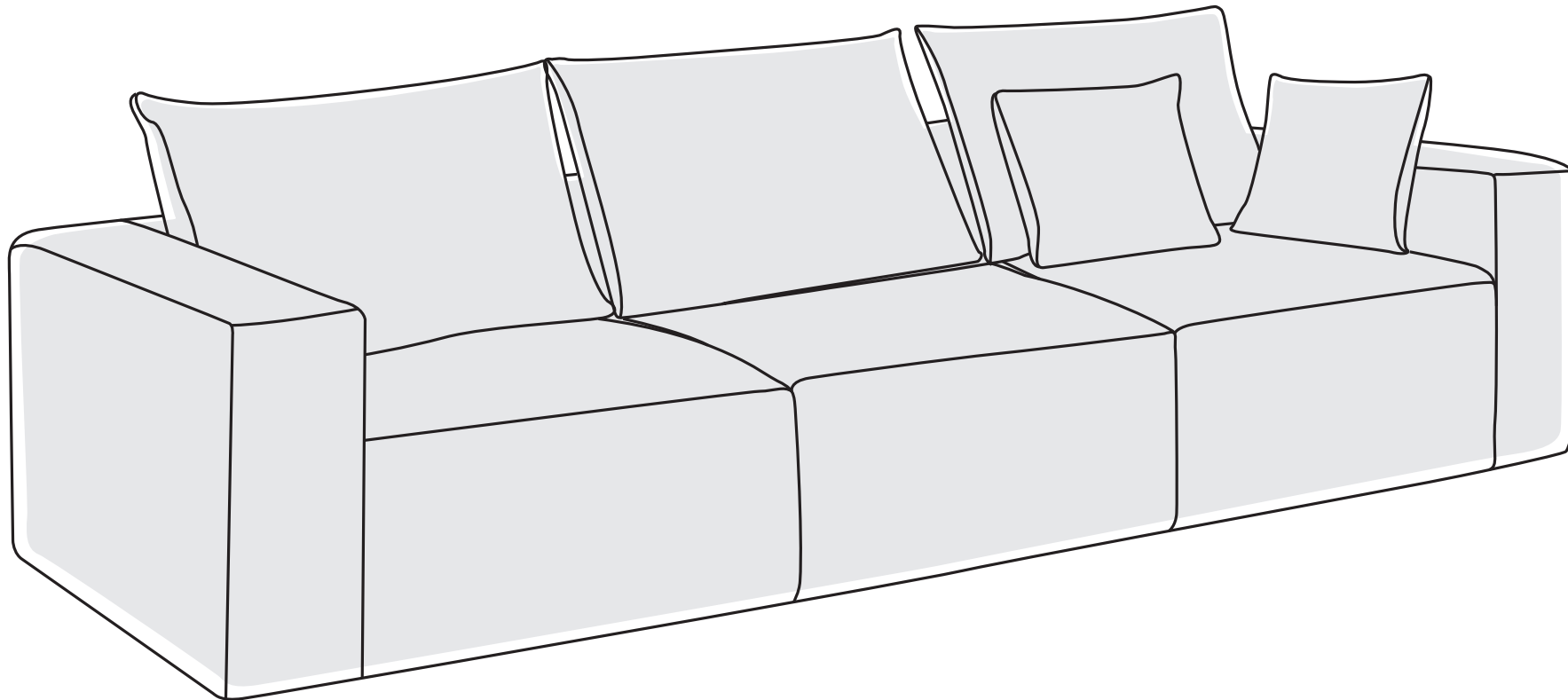


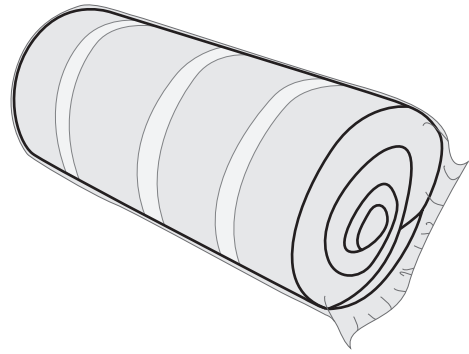
Full Foam Construction Sofa

No assembly required



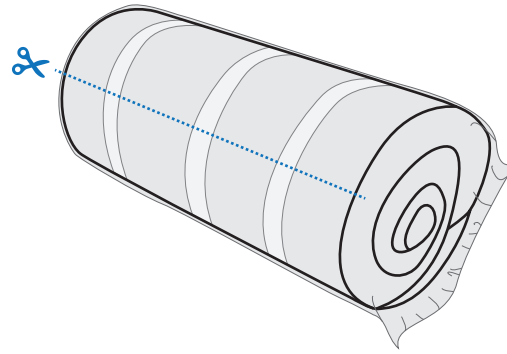
If you want to speed up the **rebound** and **restore** the shape of the sofa, please accelerate the process by giving it frequent and **strong taps** after unpacking.

After unpacking, please wait **96 hours** for the product to fully recover to its original shape.



Step 1

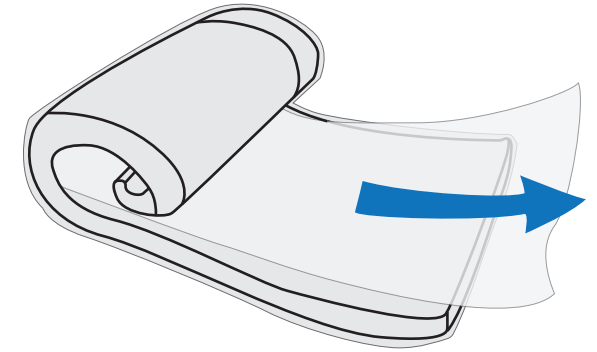
Carefully take the entire sofa out of the box and place it where you want to use it.



Step 2

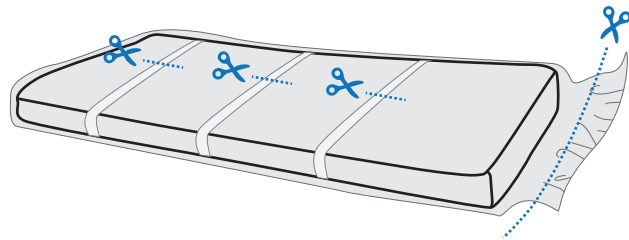
Carefully use a paper cutter or scissors to cut along the edge of the package seal.

(please be careful not to damage the product itself)



Step 3

Roll the product along the edges and stretch it out to a flat surface.

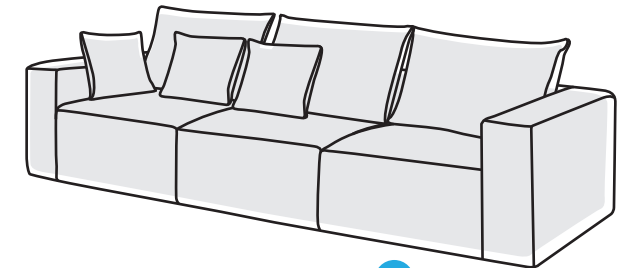
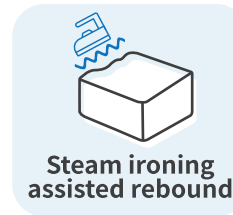


Step 4

Carefully use a paper cutter or scissors along the edges of the product to unseal and decompress it.

(please be especially careful not to scratch the product in this step!!!)

96 HRS



Step 5

Remove all packaging and allow to settle for at least **96 hours** to allow the product to spring back to its original shape.

A strong tap on this product can greatly reduce his rebound time.

Please be careful not to scratch the product when cutting open the package!!!!