

# Installation instructions

## Deco Pendant Light

Model # CDB Series



Please read comprehensively and carefully these instructions before install and save it as you may need them at later date.

### Warning

Turn off main power at the circuit breaker before installing the fixture. In order to prevent possible shock.

Remove the fixture and mounting package from the box and make sure that no parts missing by referencing the illustrations on the installation instructions.

### General:

- 1.All electrical connection must be in accordance with local and National Electrical Code (N.E.C) standards.
- 2.Installation must be performed by a qualified installer. Manufacturer and distributor is not responsible for the body injury and any property losses, damages because by the un-properly installation and using.
- 3.RISK OF FIRE and RISQUE D'INCENDIE. Keep lamp away from materials that may burn.
- 4.Risk of electric shock. Do not use if there is any damage to the light or soft wire.
- 5.Lighted lamp is HOT! Do not touch hot lens, guard or enclosure at any time, and keep away from the children.
- 6.Dry locations only.

### Three year limited warranty:

If, during normal use, this fixture breaks or fails due to defect in material and workmanship within three (3) years from the date of original purchase, simply bring this lighting fixture with the original sales receipt back to your nearest retailer. At its discretion, agrees to have the product or any defective part(s) repaired or replaced with the same or similar product or part free of charge, within the stated warranty period, when returned by the original purchaser with original sales receipt. This warranty: (1)Excludes expendable parts including but limited to light bulbs. (2) Does not cover damage that has resulted from abuse or misuse.(3)Does not cover any losses labor, injuries to persons / property or costs. This warranty does give you specific legal rights and you may have other rights, which vary from state to state. See carefully the full installations instructions and conditions.

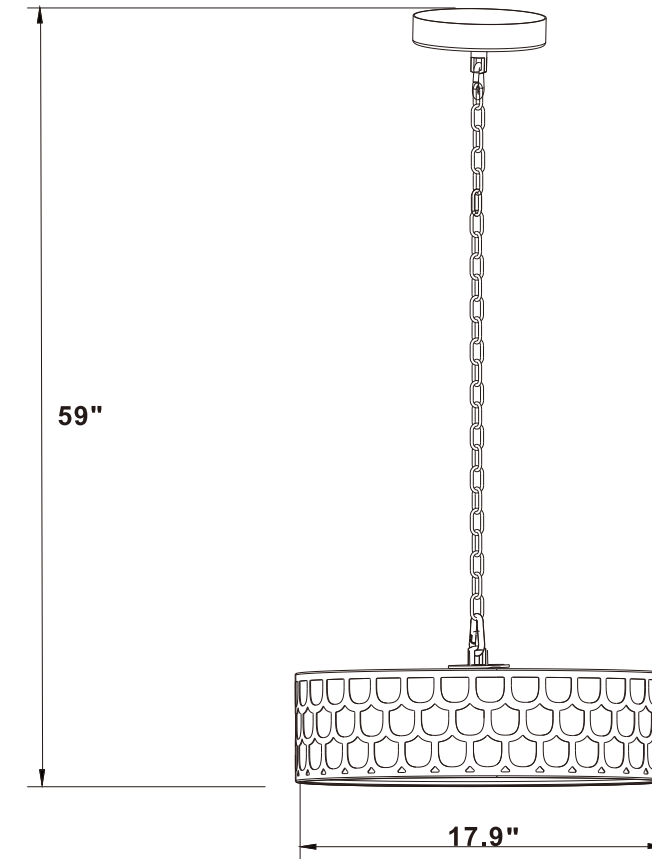
### Questions, problems, missing parts?

Before you returning to the store, please contact Ecolux customer service.

[tinzcorp@gmail.com](mailto:tinzcorp@gmail.com)

We commitment to timely E-mail responses matter to customers.

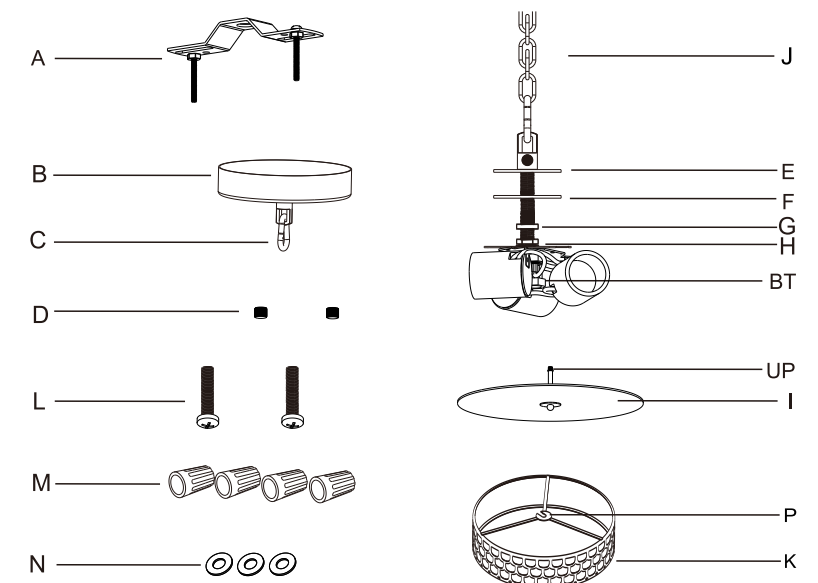
We will try the best to solve your problem, Our goal is for you to be completely satisfied.



**NOTE: ALL DIMENSIONS ARE ROUNDED UP TO THE NEAREST 1/2"**

Carefully take out the lamp, and take out all accessories from the accessories bag, the list of accessories are as shown in the following table and figure.

Part	Descriptions	Quantity
A	Mount Plate (Pre-mounted on the canopy)	1PC
B	Canopy	1PC
C	Open buckle of hook (Pre-mounted on the canopy)	1PC
D	Decorative nut (Pre-mounted on the canopy)	2PCS
E	Lamp ring A	1PC
F	Lamp ring B	1PC
G	Hexagonal nut C	1PC
H	Hexagonal nut D	1PC
BT	BT end of lamp holder unit	1PC
UP	UP end of the rod on glass	1PC
I	Glass	1PC
J	Iron chain	3PCS
K	Metal lampshade	1PC
L	Long fixing screw	3PCS
M	Connecting cap	4PCS
N	Washer	3PCS
P	Ring on the triangle support	1PC



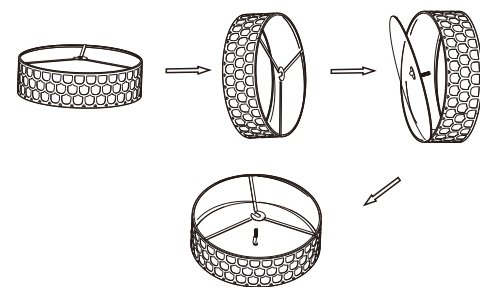
# ASSEMBLY INSTRUCTIONS

## Notice:

- 1.To avoid risk of electric shock, make sure to turn off main power switch prior to installation or maintenance.
- 2.Before assembling, please wear the gloves to prevent scratching your hands and protect the product from scratching.
- 3.Ensure that all accessories and appliances are prepare before installation.

## Step 1:

- A.First, erect the iron **lampshade** and **glass**, with the opening **P** end of the ring on the triangle support upward(must), then tilt the **glass**, and put the bottom of **glass** into the **metal lampshade** first;
- B.Push the rest of the **glass** into the iron **lampshade** totally;
- C.Put the iron **lampshade** and **glass** on floor horizontally, adjust the **glass** position to the level, so that it is placed on the bottom rim of the iron frame.

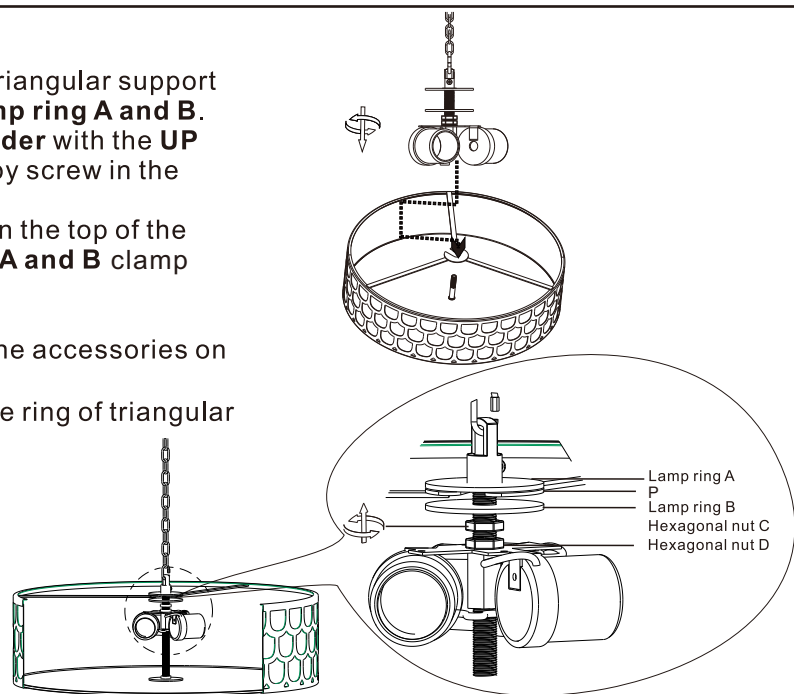


## Step 2:

- A.Connect the **lamp holder unit** with triangular support ring by clamp it on both side with **lamp ring A and B**.
- B.Connect the **BT end of the lamp holder** with the **UP end of the fixing rod on the glass** by screw in the **lamp holder unit**.
- C.Screw the **hexagonal nut C** which on the top of the **lamp holder unite**.Make **lamp ring A and B** clamp triangular support ring **P** tightly.

## Notice:

- ※ More detail please check the list of the accessories on page 2.
- ※ Make sure that ring A and B clamp the ring of triangular support respectively.

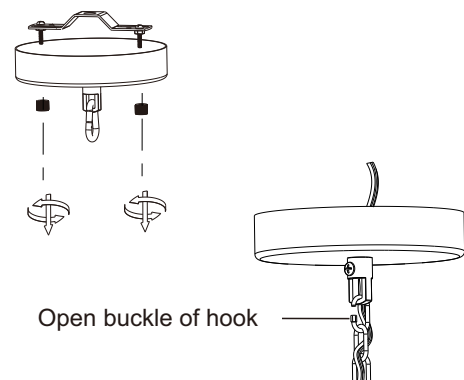


## Step3:

- A. Take out the **canopy** from the accessories bag;
- B. Unscrew the **decorative nuts** on the **canopy** to remove the **mount plate**;
- C. Tighten the **open buckle of hook** of the iron chain to fix the iron chain.

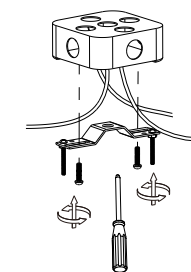
## Notice:

- ※ After take out the **decorative nuts** and the **mount plate** please set them aside for late using, pay attention not to lose them.
- ※ You can adjust the chain to reach the height you want.



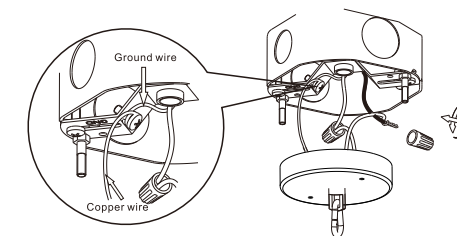
## Step 4:

- A.Take out the **long fixing screws** from the accessories bag.
- B.Fix the **mount plate** onto the junction box with two **long fixing screws**.



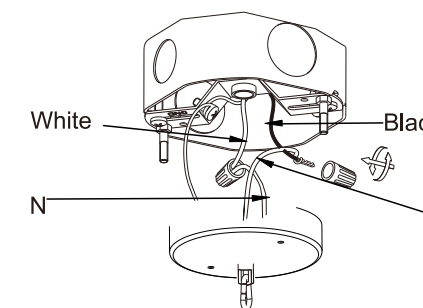
## Step 5:

- A.Loosen the green screw on the **mount plate**.Wind the bare copper wire of the lamp around the green screw on the mount plate by one loop, leaving 1.5 Inch tail, then tighten the green ground screw. Twist and tighten the bare copper wire tail and the ground wire from the junction box with the **connecting cap**.



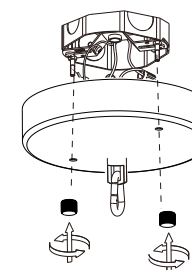
## Step 6:

- A.Connect the null wire (white) from the junction box to the electric wire on the lamp (there is a grooves on it, indicated by a letter "**N**"), and screw up with the **connecting cap**;
- B.Connect the live wire (black) from the junction box to the electric wire of the lamp (with smooth surface, indicated by a letter "**L**") and with the **connecting cap**.



## Step7.

- A.Tuck all the wires into the junction box.
  - B.Stick out the long screws on the **mount plate** to the two holes on the **canopy**.
  - C.Screw up the **decorative nuts** so that the **canopy** is tightly fixed to the **mount plate**.
- ※ You can choose the right length by adjusting the chain;



## Step8.

- Install the bulb
- Bulbs complying with E26 lamp holder standard shall be installed; the requirements specified on the product must be followed; and bulbs exceeding the maximum power limit cannot be installed.

## Step9.

- Turn on the power switch on the wall (if a dimmer is installed, turn to the maximum extent), the lamp lights on.(installation complete).

