





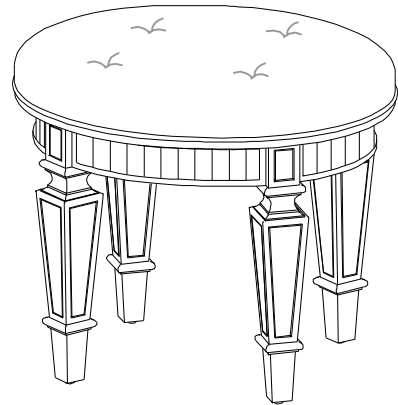
## Assembly Instructions

### PACKAGE

- (A) 1-Seat Cushion
- (B) 4-Legs

### HARDWARE

- (H1) 8-Bolts 
- (H2) 8-Lock Washers 
- (H3) 8-Flat Washers 
- (H4) 1-Allen Wrench 



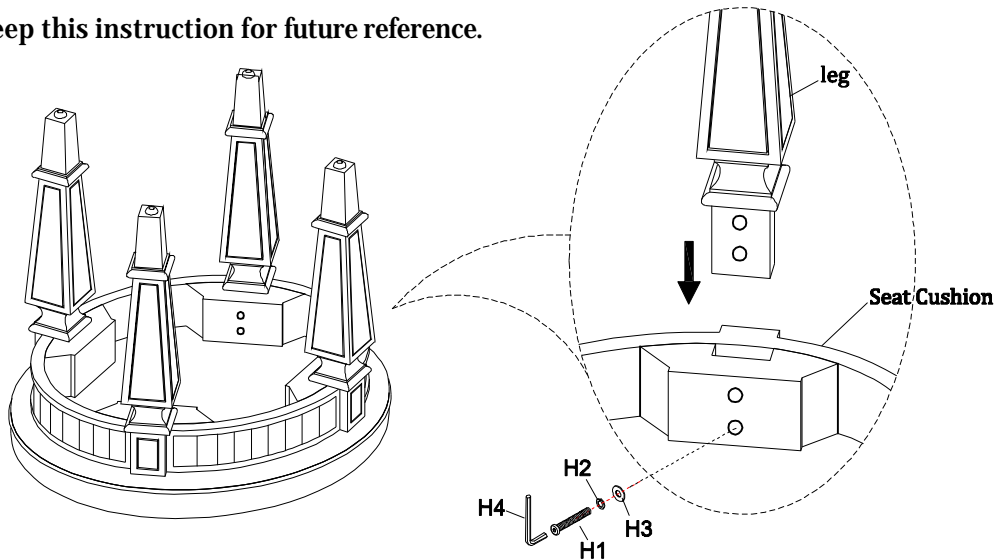
**Read all instructions before starting assembly.**

**Step#1** Assemble the stool upside down on a flat, plain and soft surface.

**Step#2** Insert each leg into the holes on the bottom of seat cushion using bolts (H1), lock washers (H2) and flat washers (H3) as shown below. Securely tighten all bolts with Allen wrench (H4).

**Step#3** Turn the stool on its upright position. Assembly is complete.

**Step#4** Keep this instruction for future reference.



(\* **Caution: Do NOT OVER TIGHTEN.**

In any correspondence regarding this product, please include the complete identification number located on the underside of the product.

*We hope this will be a useful and decorative addition to your home for years to come.*