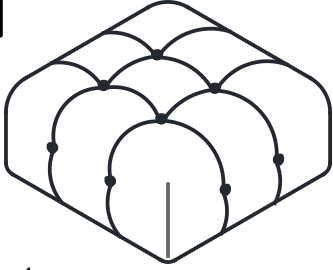


# ASSEMBLY INSTRUCTION

**A**



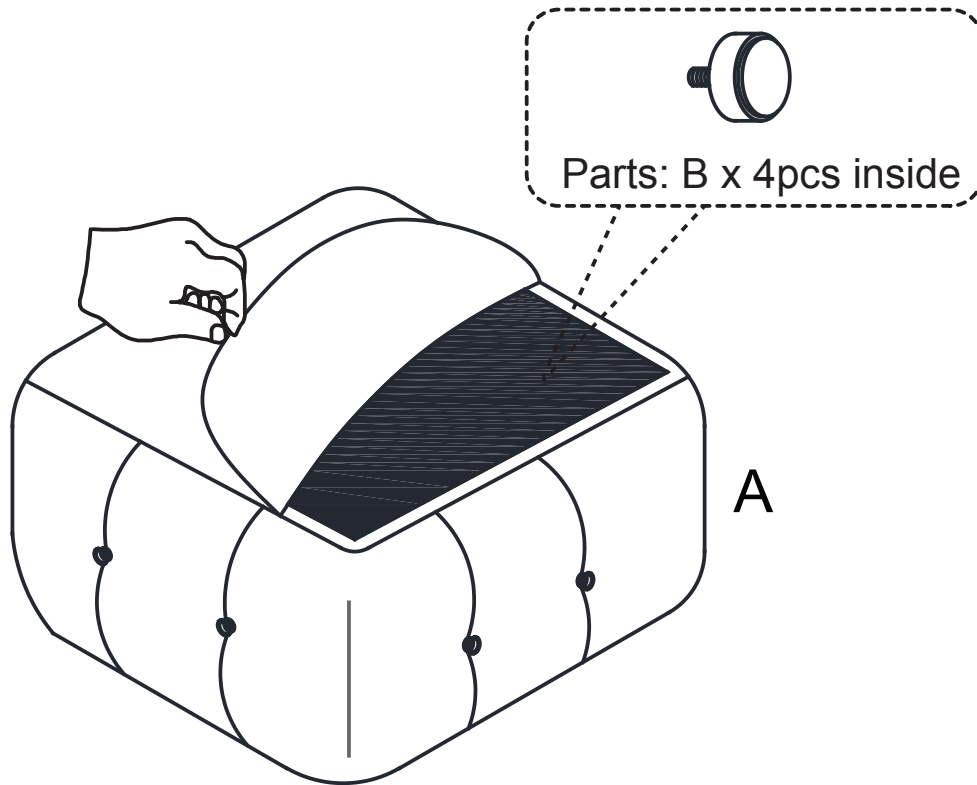
1pc

**B**



4pcs

**1**



**2**

