

ASSEMBLY INSTRUCTIONS



Dining Arm Chair

ASSEMBLY INSTRUCTIONS

ASSEMBLY TIPS:

1. Remove hardware from box and sort by size.
2. Please check to see that all hardware and parts are present prior to start of assembly.
3. Please follow attached instruction in the same sequence as numbered to assure fast and easy assembly.



WARNING !

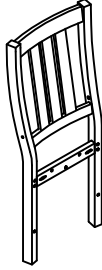






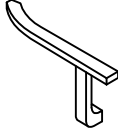
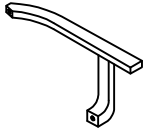
1. Don't attempt to repair or modify parts that are broken or defective. Please contact the store immediately.
2. This product is for home use only and not intended for commercial establishment.



ASSEMBLY TIME

20 MINUTES

PARTS IDENTIFICATION

A	BACK FRAME		1PC	E	LEFT STRETCHER		1PC
B	SEAT WITH FRAME		1PC	F	RIGHT STRETCHER		1PC
C	LEFT FRONT LEG		1PC	G	MIDDLE STRETCHER		1PC
D	RIGHT FRONT LEG		1PC	H	LEFT ARM		1PC
				I	RIGHT ARM		1PC

NOTE:

Quantities shown are for one chair.

ASSEMBLY INSTRUCTIONS

ASSEMBLY TIPS:

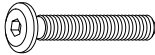
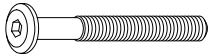
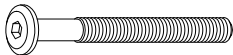


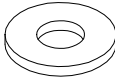






1. Remove hardware from box and sort by size.
2. Please check to see that all hardware and parts are present prior to start of assembly.
3. Please follow attached instruction in the same sequence as numbered to assure fast and easy assembly.



WARNING !

1. Don't attempt to repair or modify parts that are broken or defective. Please contact the store immediately.
2. This product is for home use only and not intended for commercial establishment.

HARDWARE IDENTIFICATION

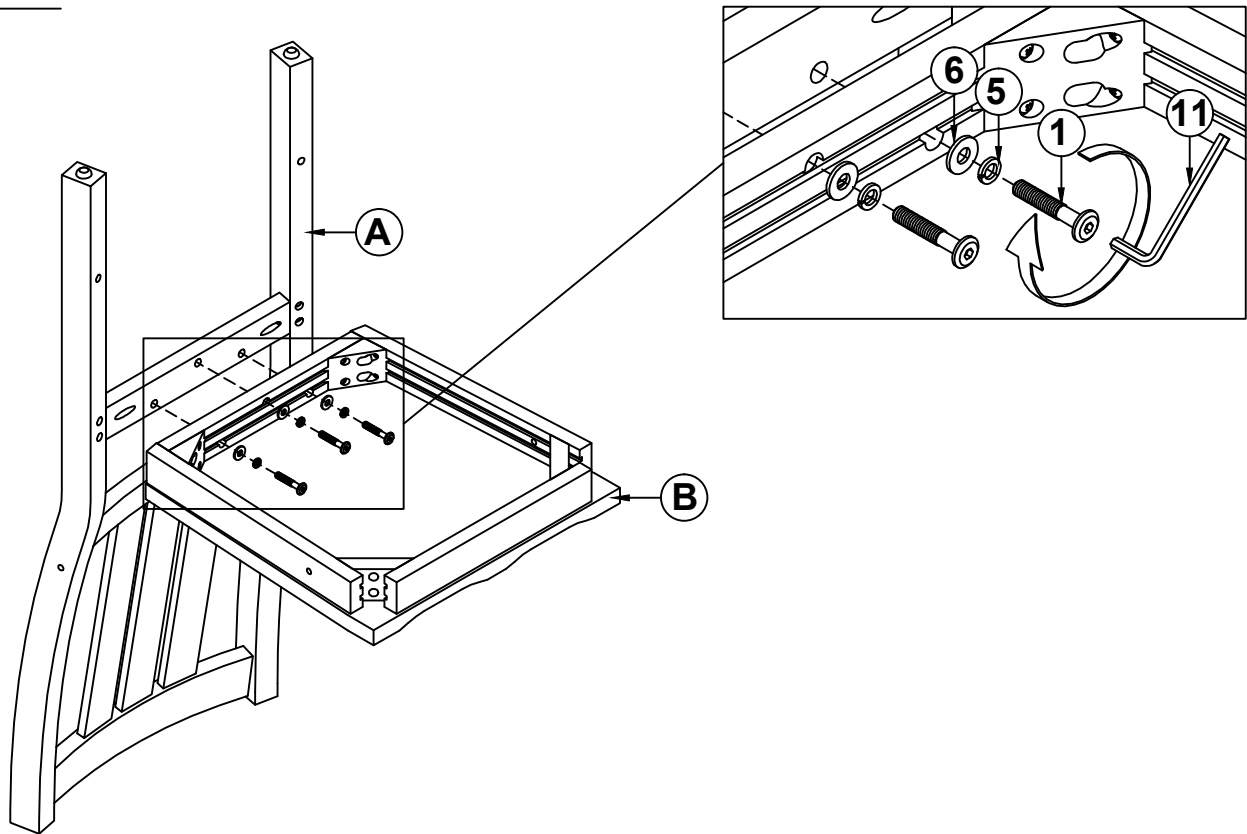
1	BOLT 1 (M8 x 45mm - BLK)		3PCS
2	BOLT 2 (M8 x 70mm - BLK)		4PCS
3	BOLT 3 (M8 x 80mm - BLK)		4PCS
4	BOLT 4 (M6 x 50mm - BLK)		6PCS
5	BIG LOCK WASHER (M8 - BLK)		11PCS
6	BIG FLAT WASHER (M8 - BLK)		11PCS
7	SMALL LOCK WASHER (M8 - BLK)		2PCS
8	SMALL FLAT WASHER (M8 - BLK)		2PCS
9	WOOD PLUG (Ø17 X 12mm)		2PCS
10	PAN HEAD SCREW (Ø4 X 32mm - SR)		6PCS
11	BIG ALLEN WRENCH (M5 - BLK)		1PC
12	SMALL ALLEN WRENCH (M4 - BLK)		1PC

NOTE:

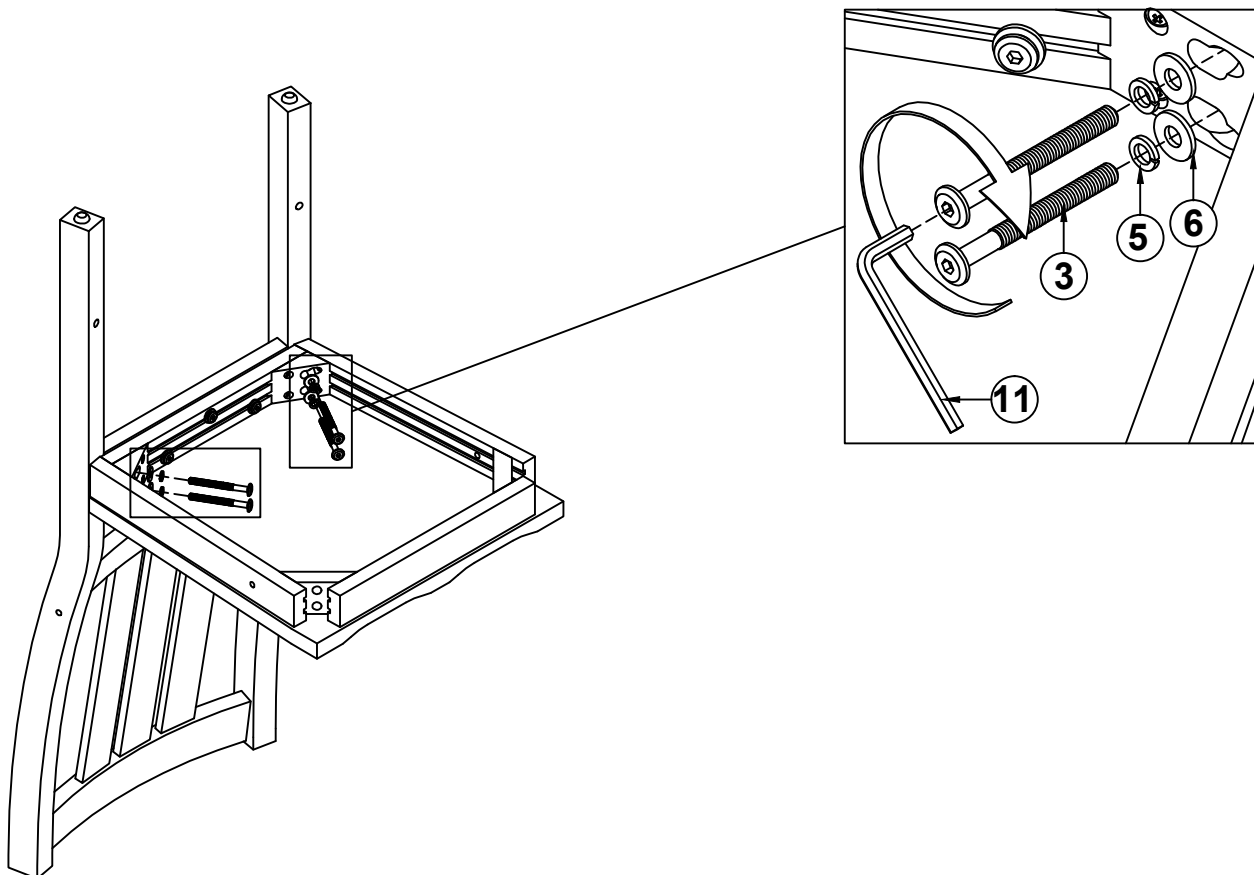
Philips head screw driver is required in the assembly process; however, manufacturer does not provide this item. Quantities shown are for one chair.

ASSEMBLY INSTRUCTIONS

STEP 1

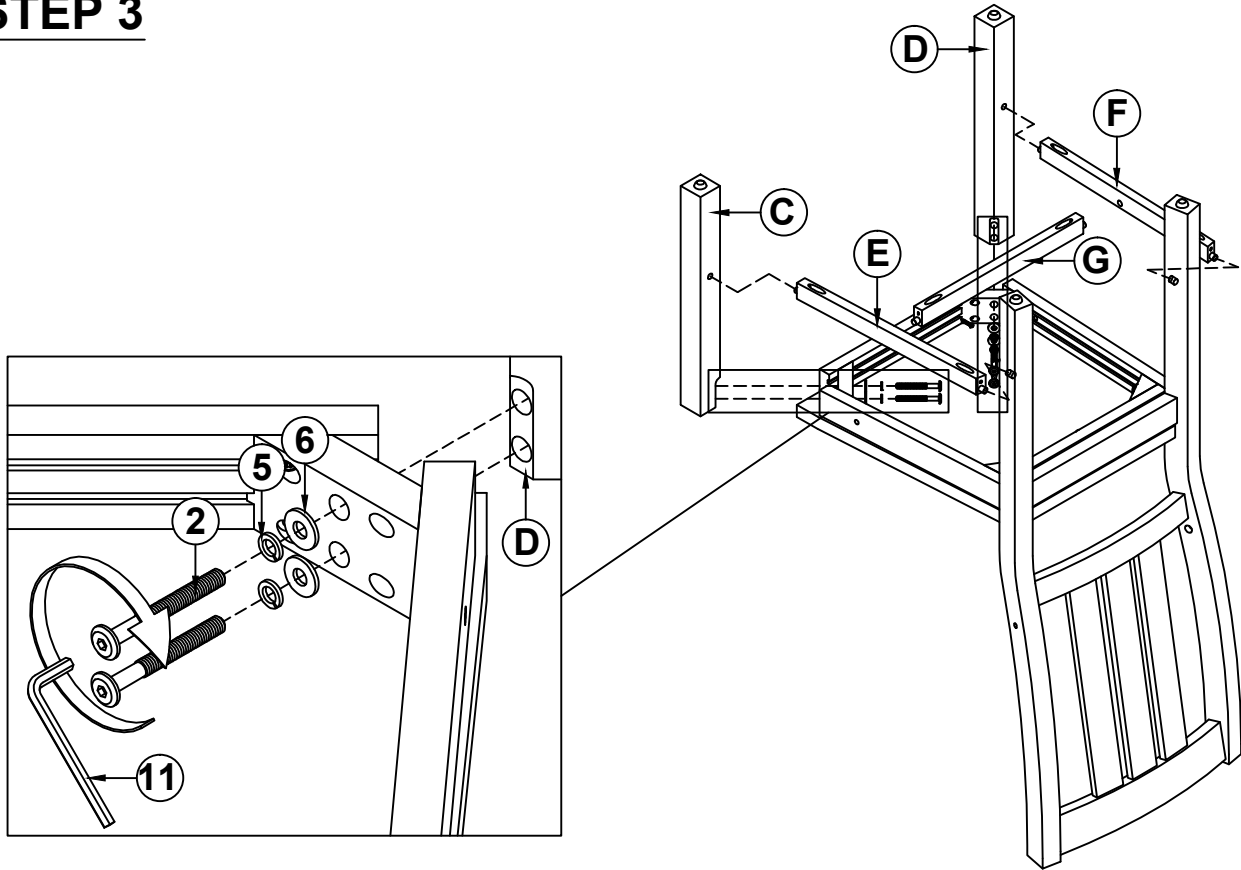


STEP 2

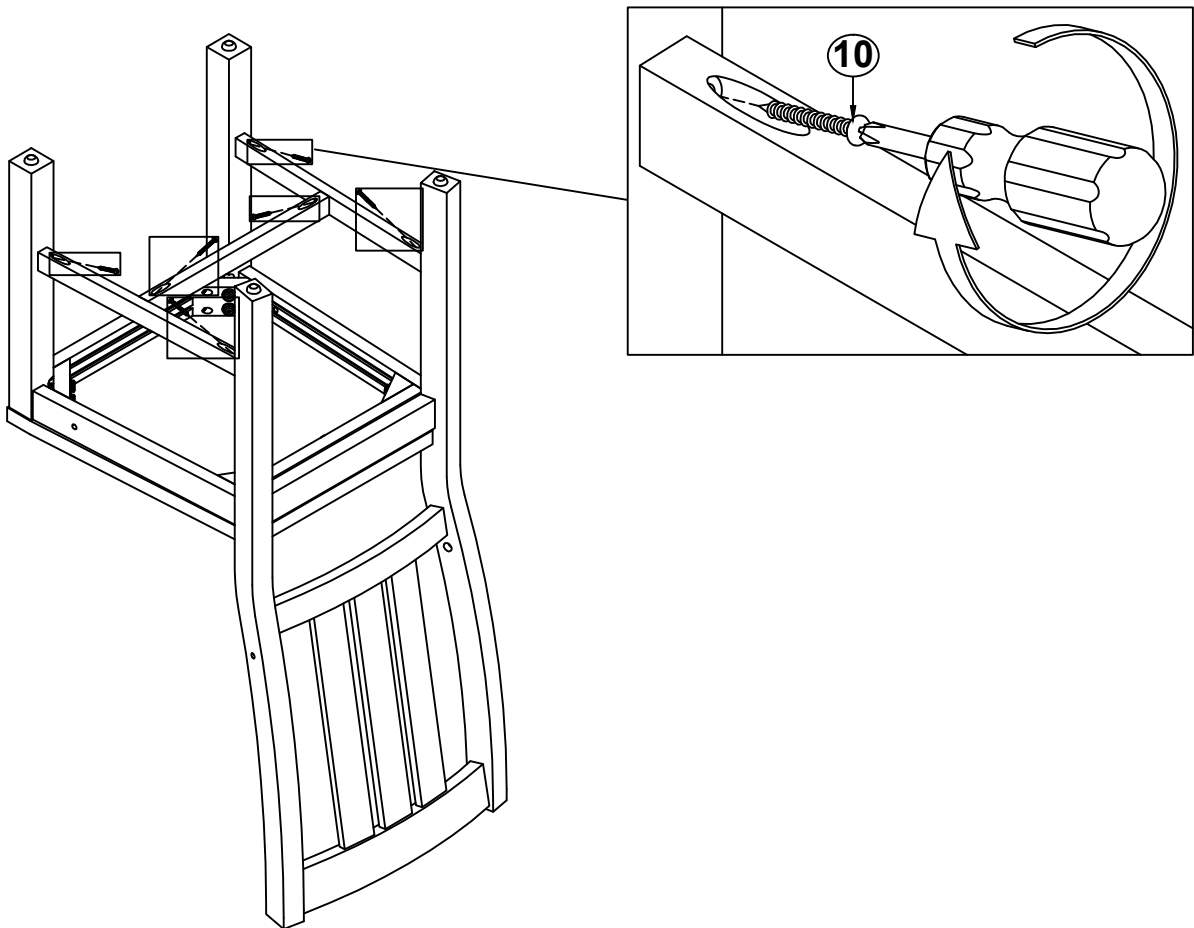


ASSEMBLY INSTRUCTIONS

STEP 3

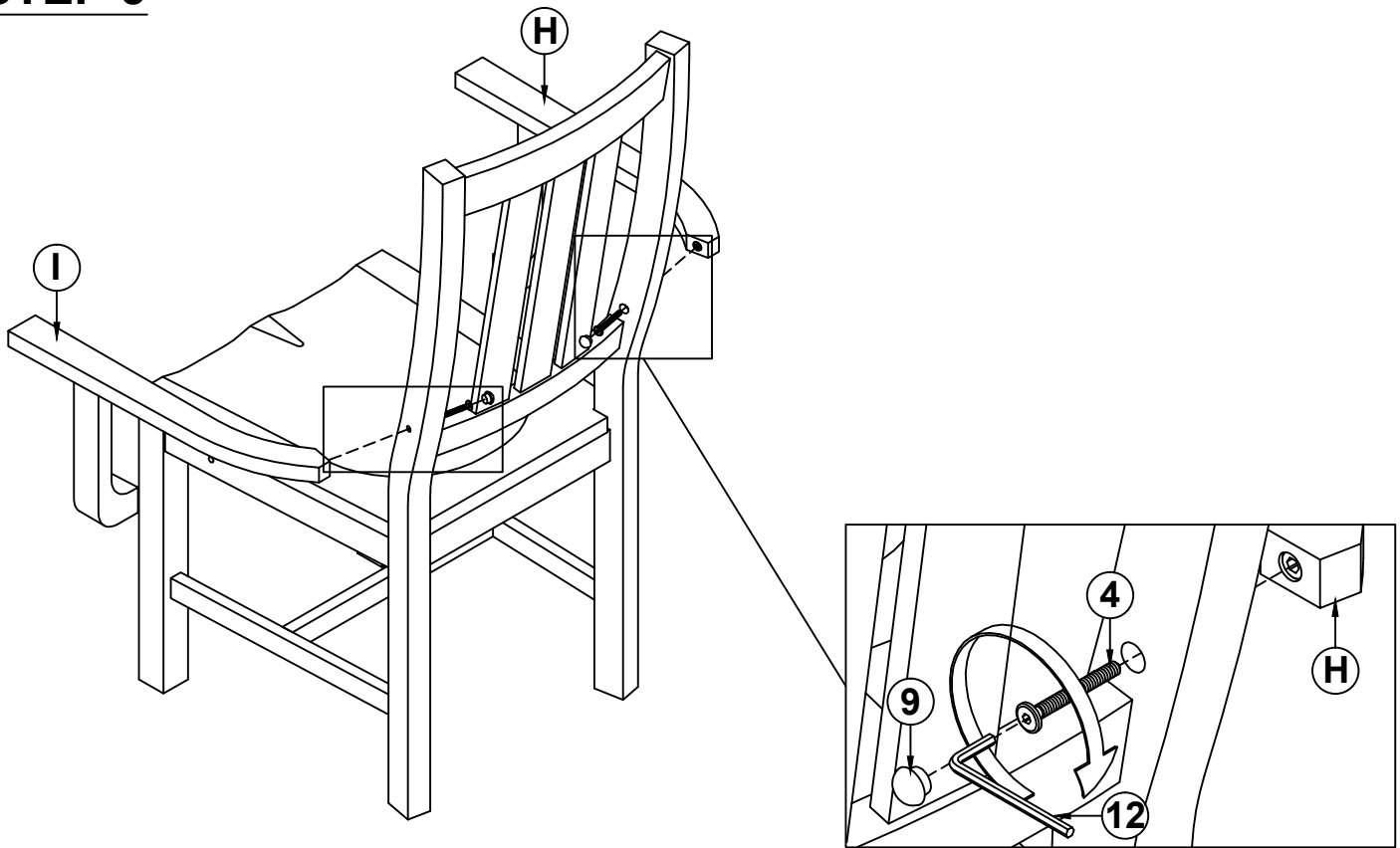


STEP 4

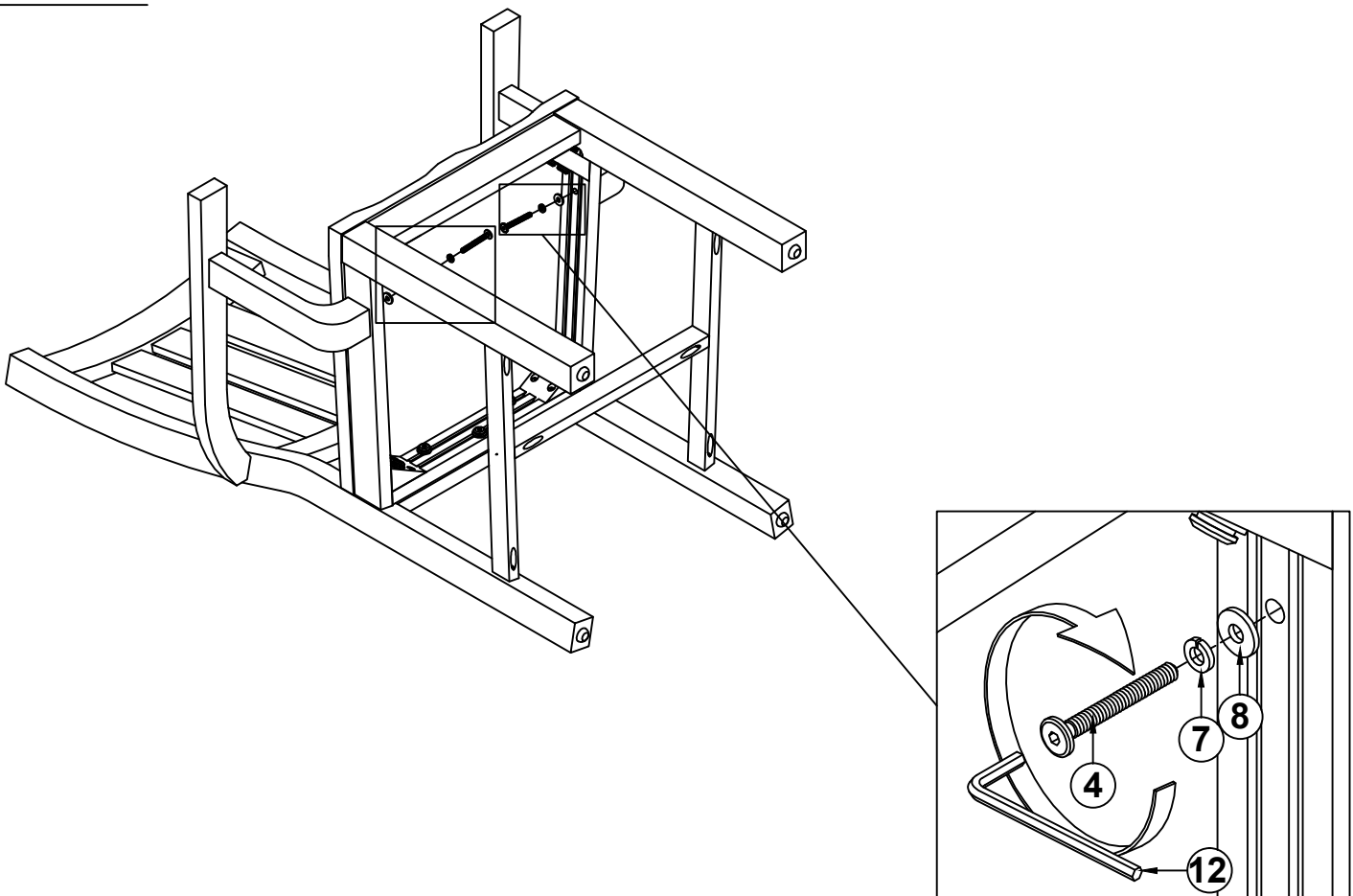


ASSEMBLY INSTRUCTIONS

STEP 5



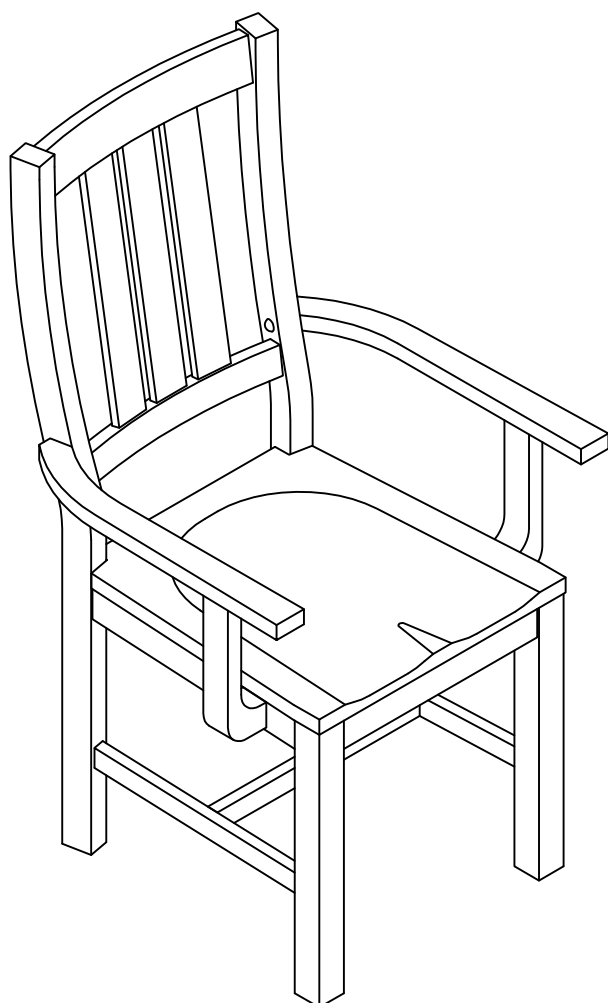
STEP 6

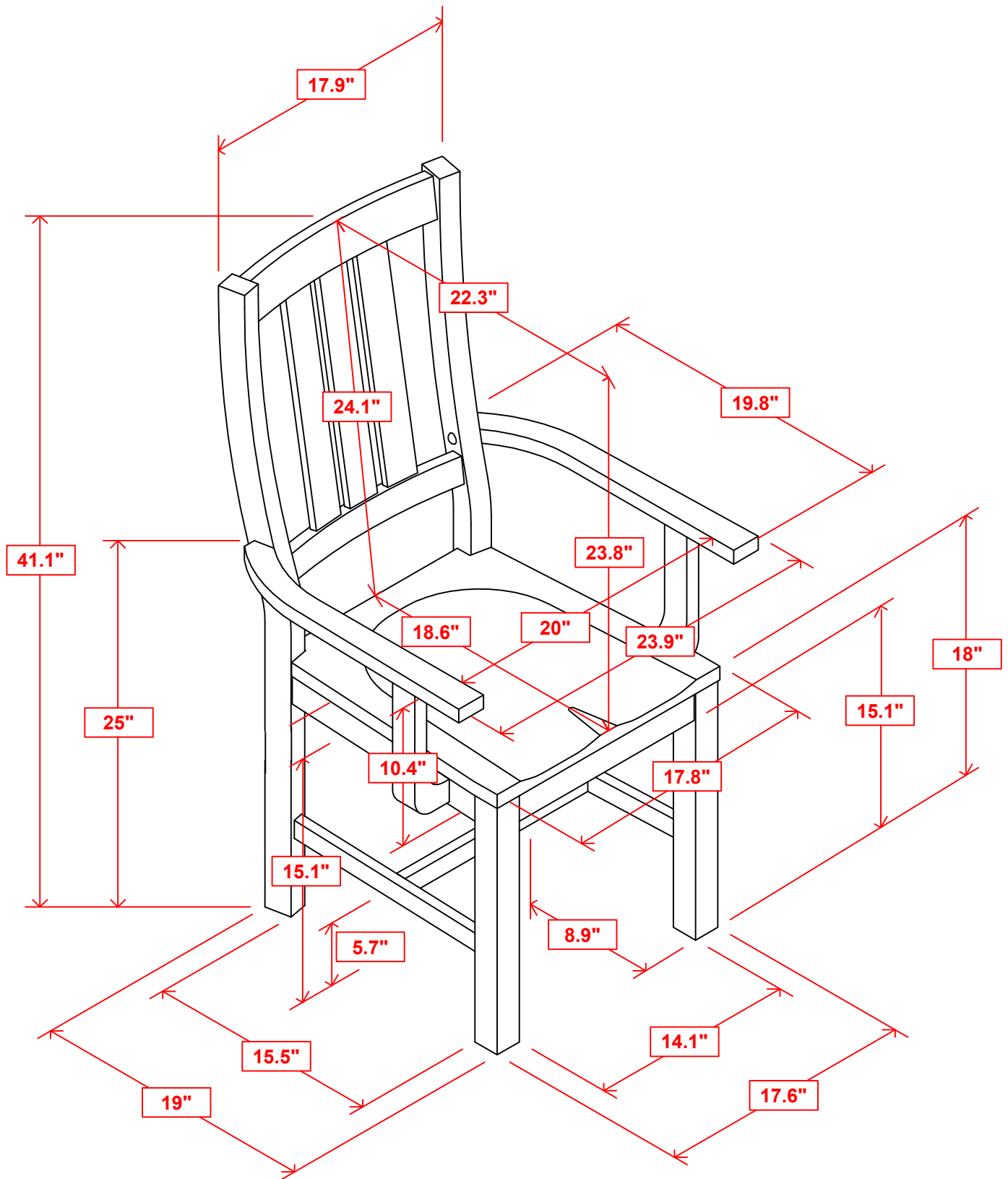


ASSEMBLY INSTRUCTIONS

STEP 7

COMPLETE





Note : Dimension tolerance $\pm 5\%$