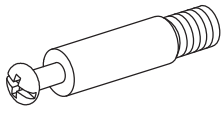
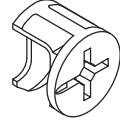
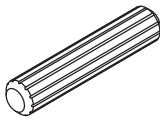
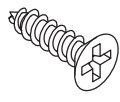
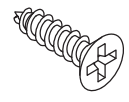
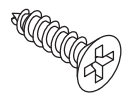
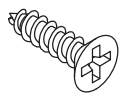



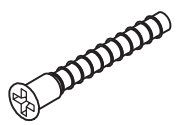
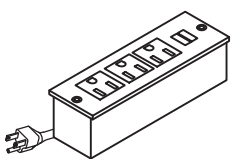












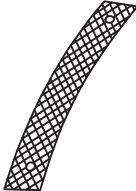
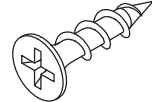
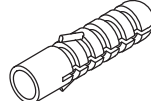
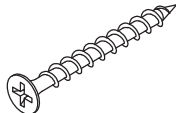
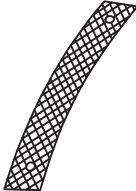
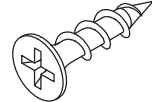
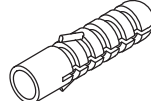
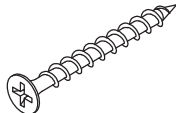
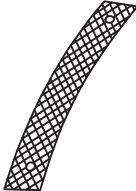
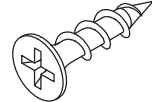
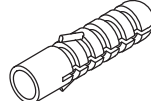
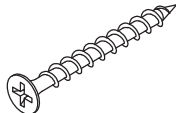
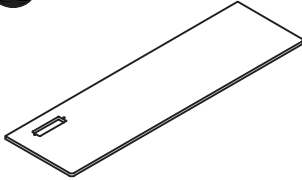
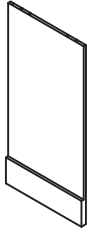
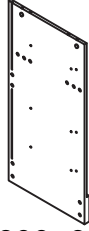
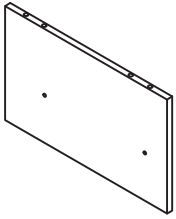
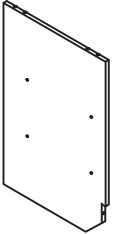
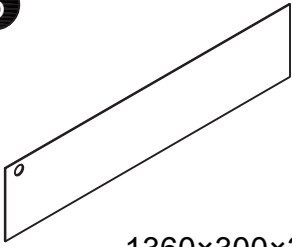
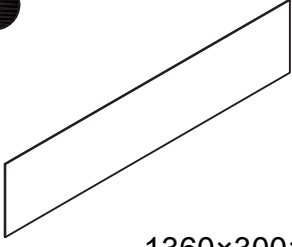
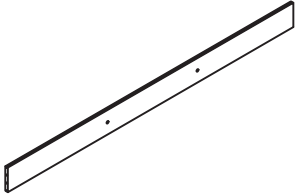
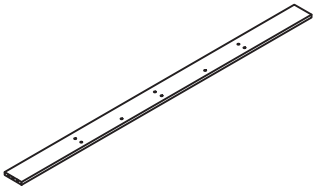
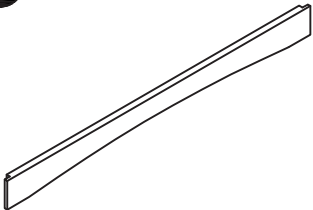
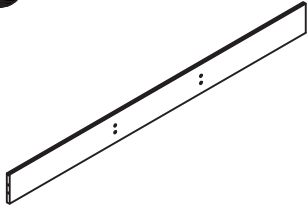
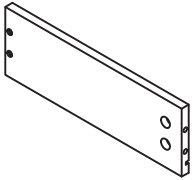
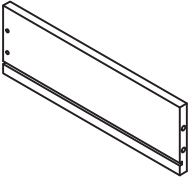
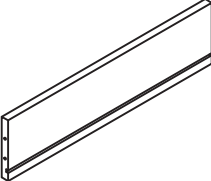
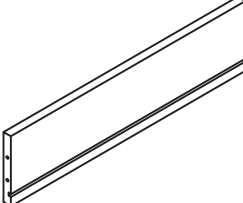
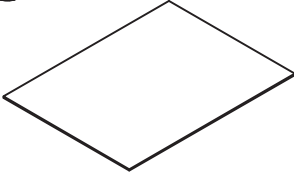
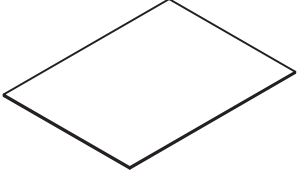
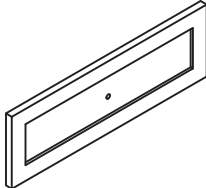
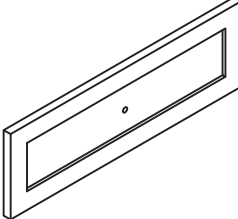


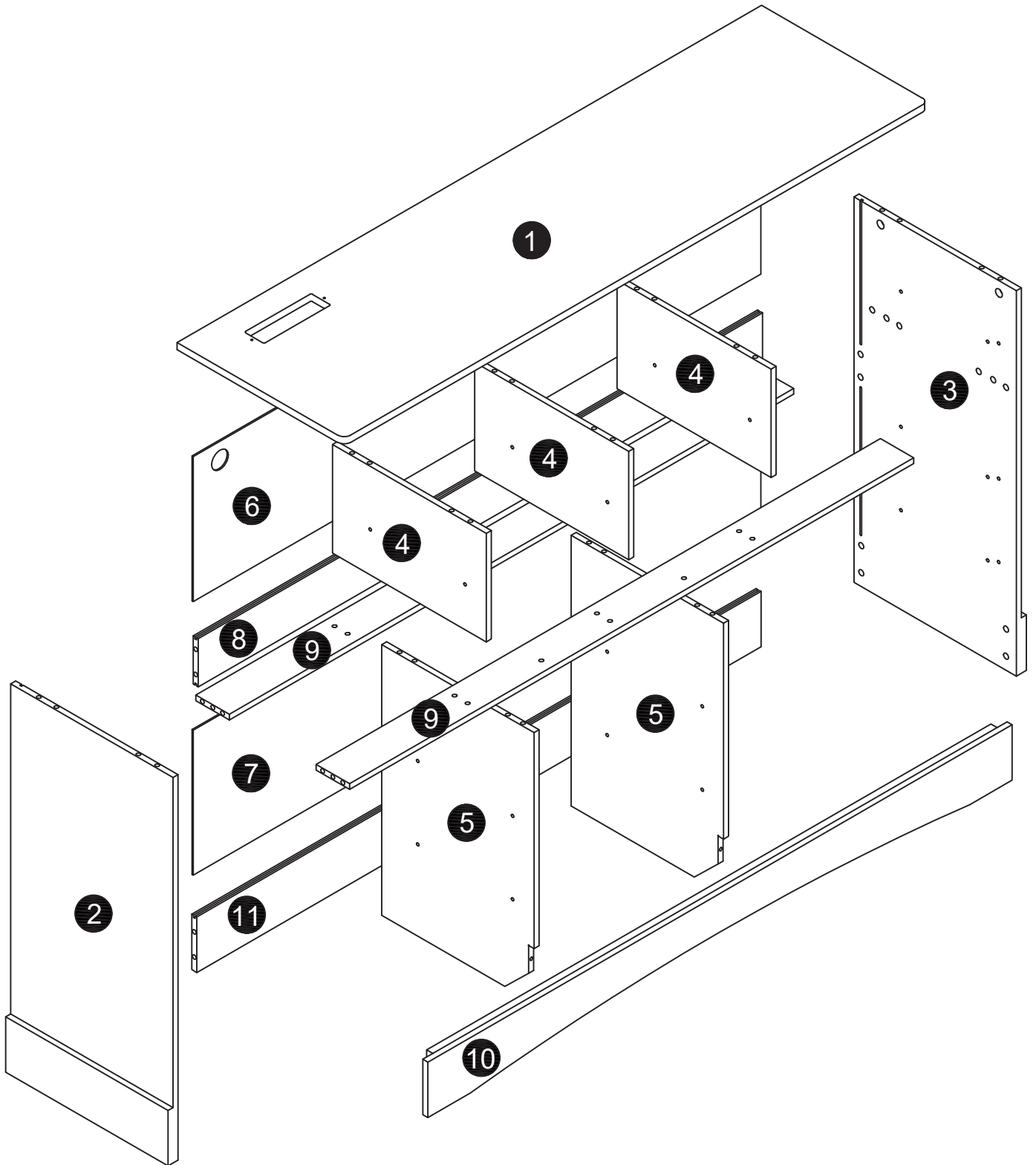
# HARDWARE LIST

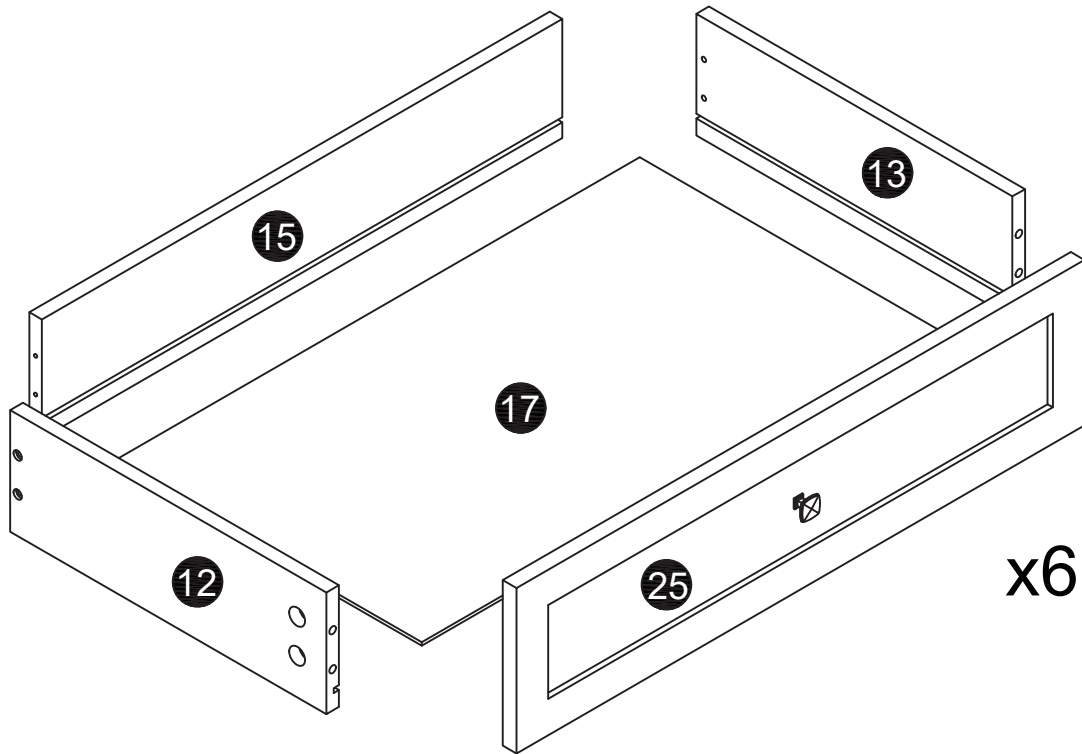
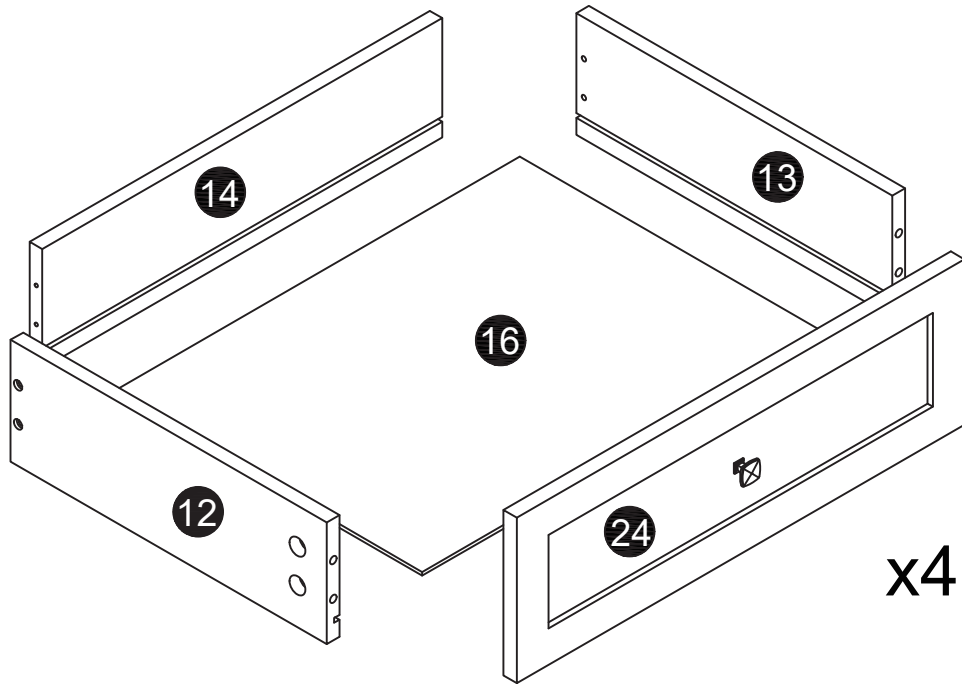
<p><b>A</b></p>  <p>6×35mm 72(+2)PCS</p>	<p><b>B</b></p>  <p>72(+2)PCS</p>	<p><b>C</b></p>  <p>6×30mm 24(+2)PCS</p>	<p><b>D</b></p>  <p>M3×12mm 113(+2)PCS</p>	<p><b>E</b></p>  <p>M3.5×12mm 2PCS</p>												
<p><b>F</b></p>  <p>M3.5×30mm 40(+2)PCS</p>	<p><b>G</b></p>  <p>M3×14mm 12(+1)PCS</p>	<p><b>H</b></p>  <p>15×14×10mm 12(+1)PCS</p>	<p><b>I</b></p>  <p>30×30×25mm 10PCS</p>	<p><b>J</b></p>  <p>M4×12mm 10PCS</p>												
<p><b>K</b></p>  <p>M4×40mm 16(+1)PCS</p>	<p><b>L</b></p>  <p>1PC</p>															
<p><b>M</b></p> <table style="width: 100%; text-align: center;"> <tr> <td></td> <td></td> <td></td> <td></td> </tr> <tr> <td>DL L350</td> <td>DR L350</td> <td>CL L350</td> <td>CR L350</td> </tr> <tr> <td>10PCS</td> <td>10PCS</td> <td>10PCS</td> <td>10PCS</td> </tr> </table>									DL L350	DR L350	CL L350	CR L350	10PCS	10PCS	10PCS	10PCS
																
DL L350	DR L350	CL L350	CR L350													
10PCS	10PCS	10PCS	10PCS													
<p><b>N</b></p> <table style="width: 100%; text-align: center;"> <tr> <td></td> <td></td> <td></td> <td></td> </tr> <tr> <td></td> <td>M3×15mm</td> <td></td> <td>M3×35mm</td> </tr> <tr> <td></td> <td colspan="2">2PCS</td> <td></td> </tr> </table>										M3×15mm		M3×35mm		2PCS		
																
	M3×15mm		M3×35mm													
	2PCS															

**PANEL LIST**

<p><b>1</b></p>  <p>1400×400×15 x1PC</p>	<p><b>2</b></p>  <p>800×389×24 x1PC</p>	<p><b>3</b></p>  <p>800×389×24 x1PC</p>	<p><b>4</b></p>  <p>369×225×12 x3PCS</p>
<p><b>5</b></p>  <p>561×365×12 x2PCS</p>	<p><b>6</b></p>  <p>1360×300×3 x1PC</p>	<p><b>7</b></p>  <p>1360×300×3 x1PC</p>	<p><b>8</b></p>  <p>1352×100×12 x1PC</p>
<p><b>9</b></p>  <p>1352×80×12 x2PCS</p>	<p><b>10</b></p>  <p>1400×115×27 x1PC</p>	<p><b>11</b></p>  <p>1352×115×12 x1PC</p>	<p><b>12</b></p>  <p>350×140×12 x10PCS</p>
<p><b>13</b></p>  <p>350×140×12 x10PCS</p>	<p><b>14</b></p>  <p>280×138×12 x4PCS</p>	<p><b>15</b></p>  <p>394×138×12 x6PCS</p>	<p><b>16</b></p>  <p>345×288×3 x4PCS</p>
<p><b>17</b></p>  <p>345×402×3 x6PCS</p>	<p><b>24</b></p>  <p>324×220×12 x4PCS</p>	<p><b>25</b></p>  <p>438×220×12 x6PCS</p>	


# PANEL LAYOUT






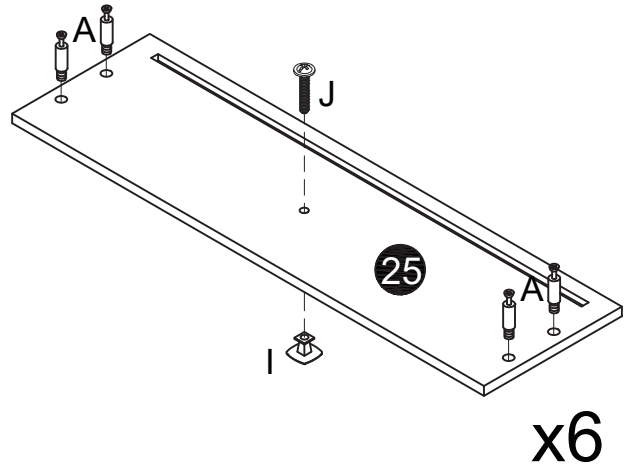
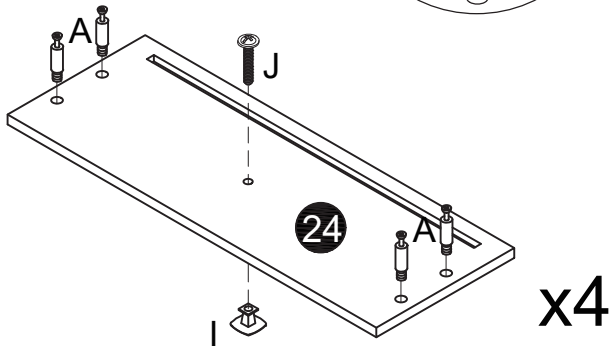
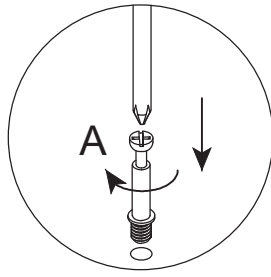
01

### INSTALLATION STEPS

Ax40 

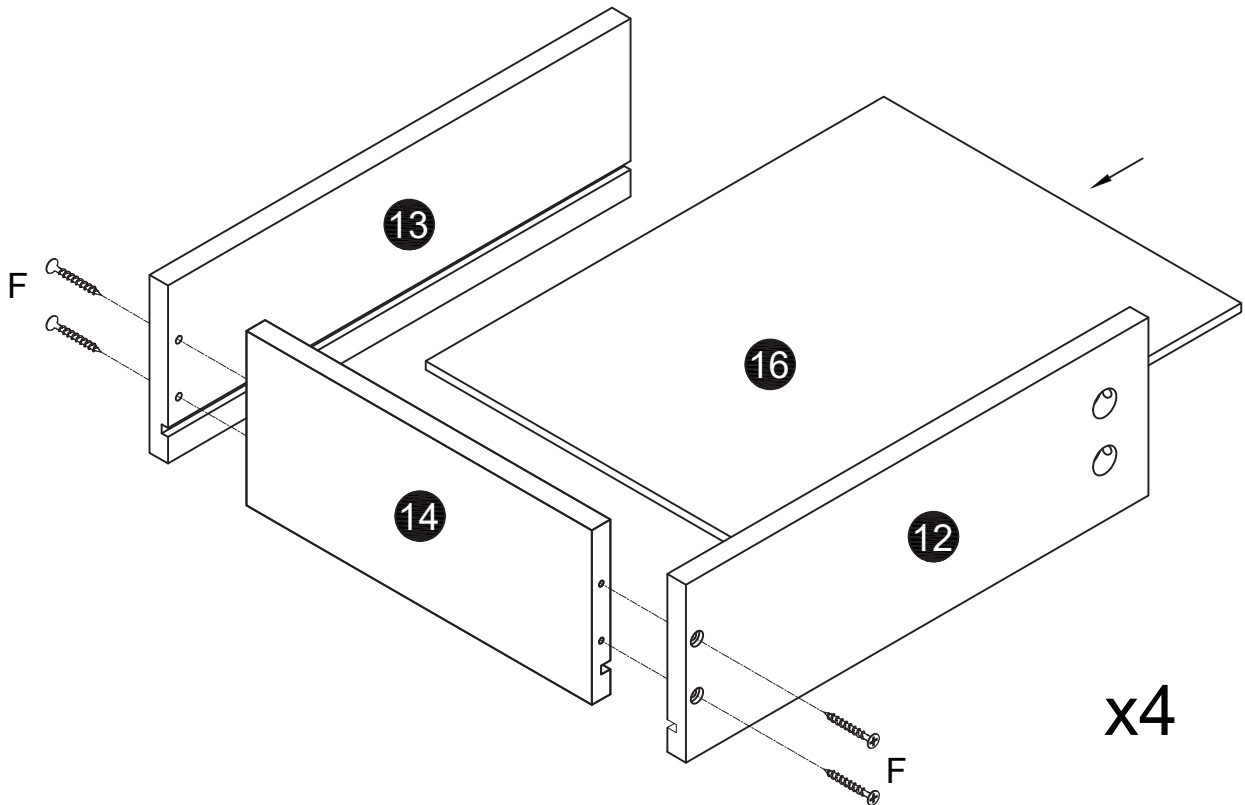
Jx10 

Ix10 




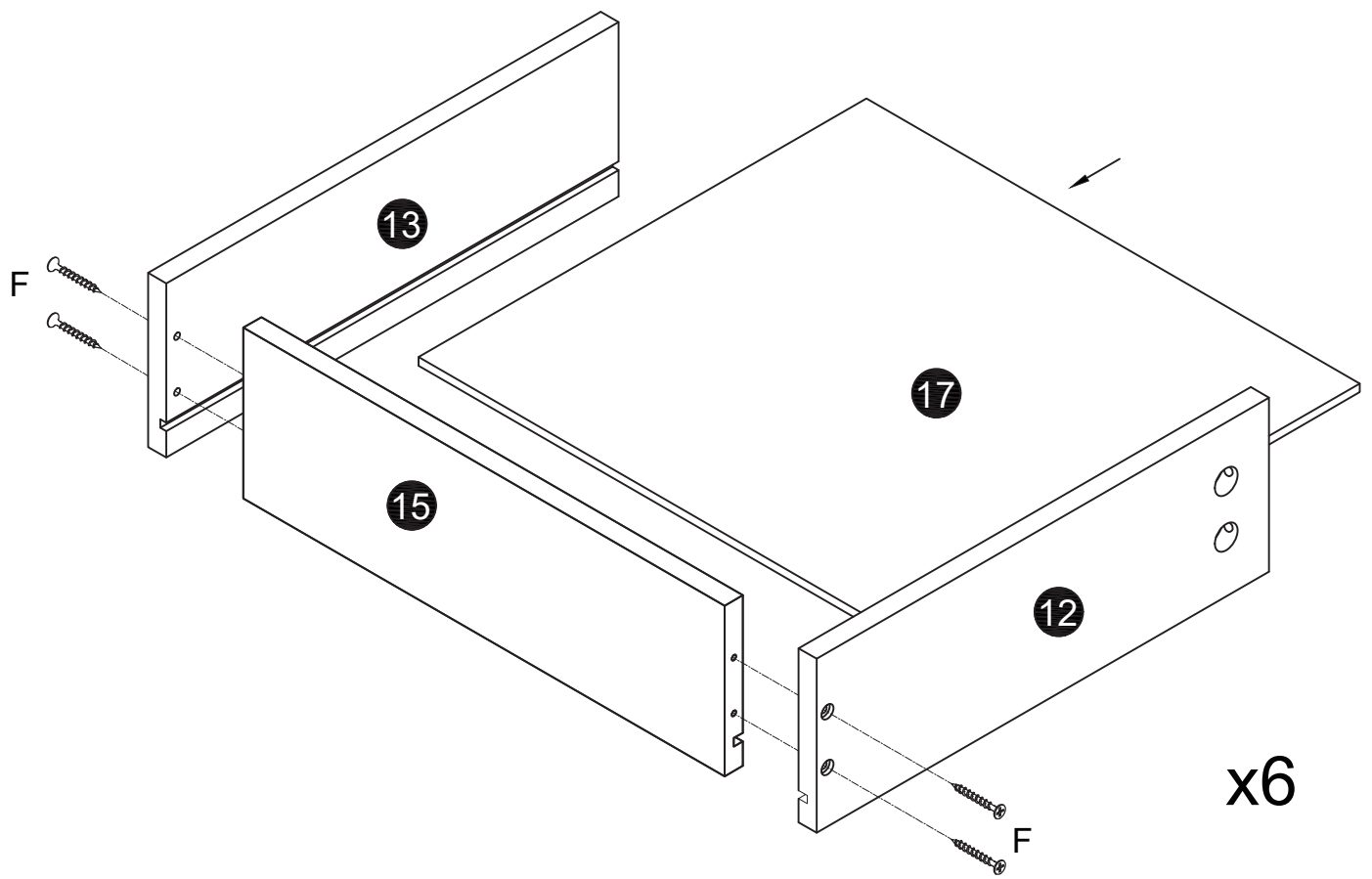
02

Fx16 



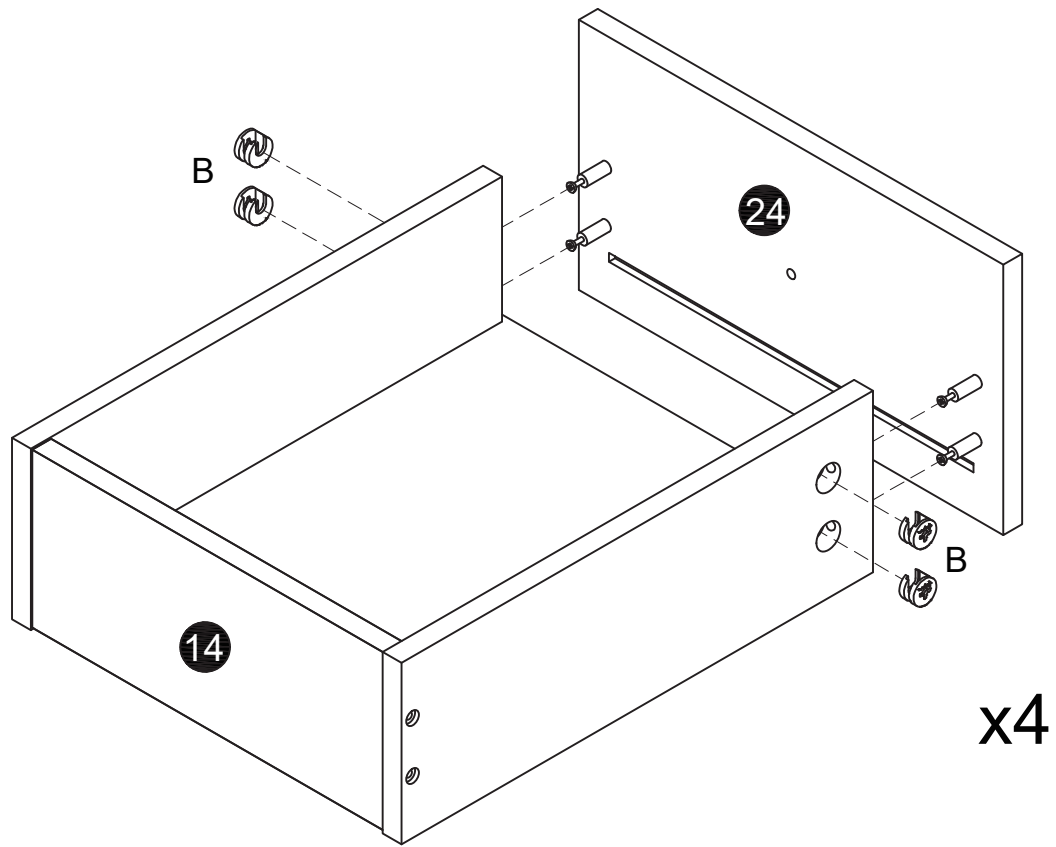
03

Fx24 




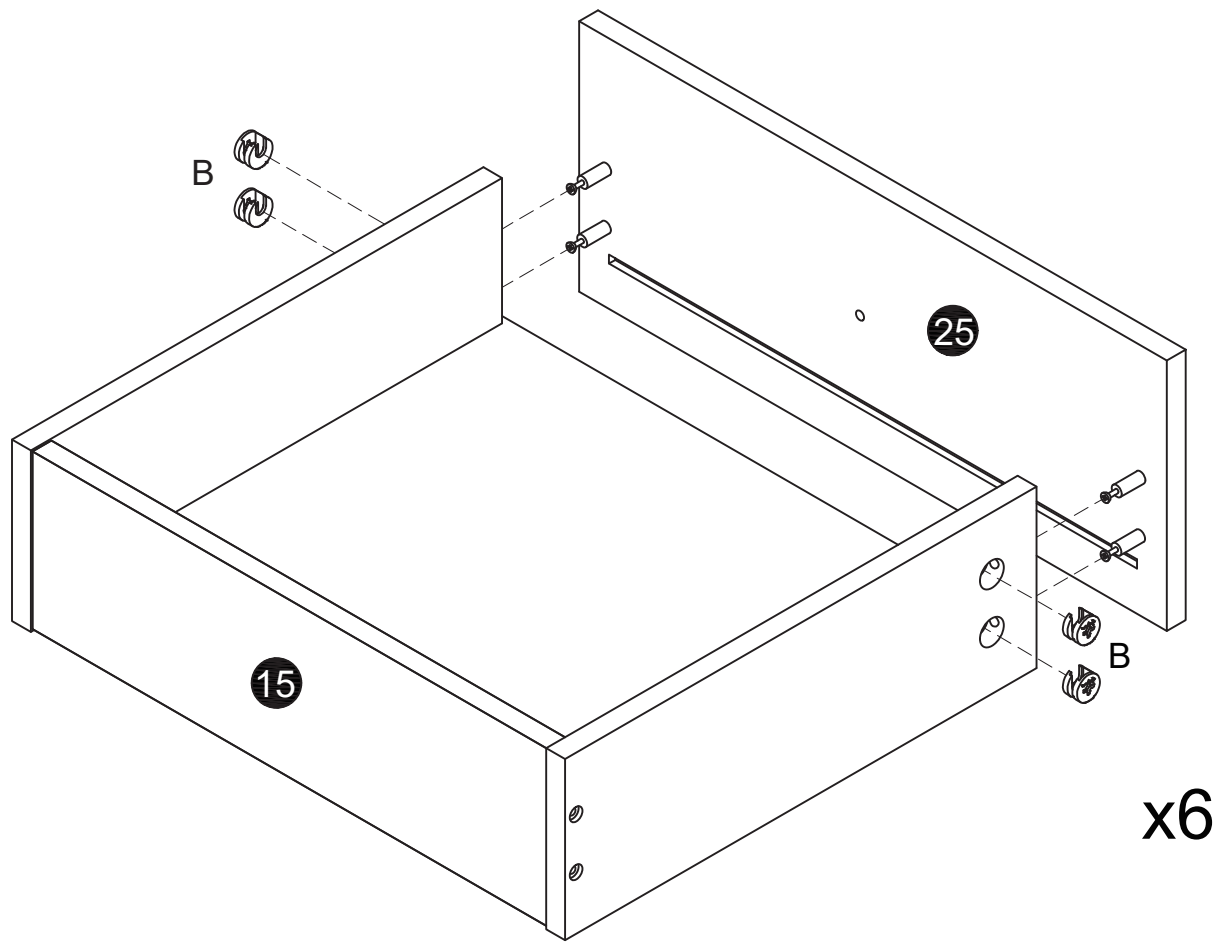
04

Bx16 




05


Bx24 




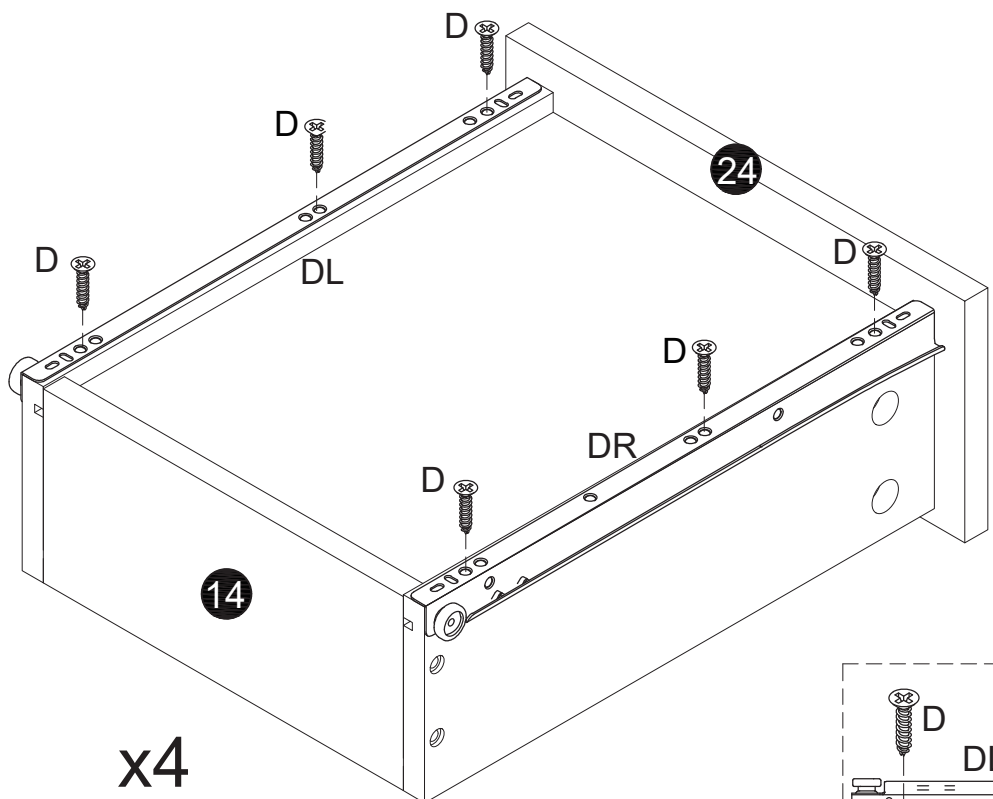
x6

06

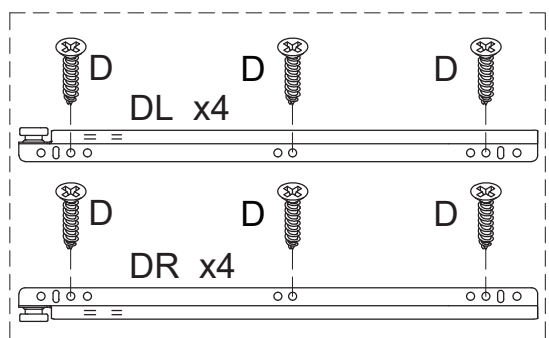
M DRx4 

M DLx4 




Dx24 

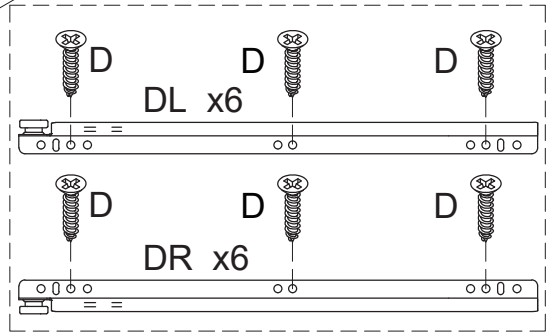
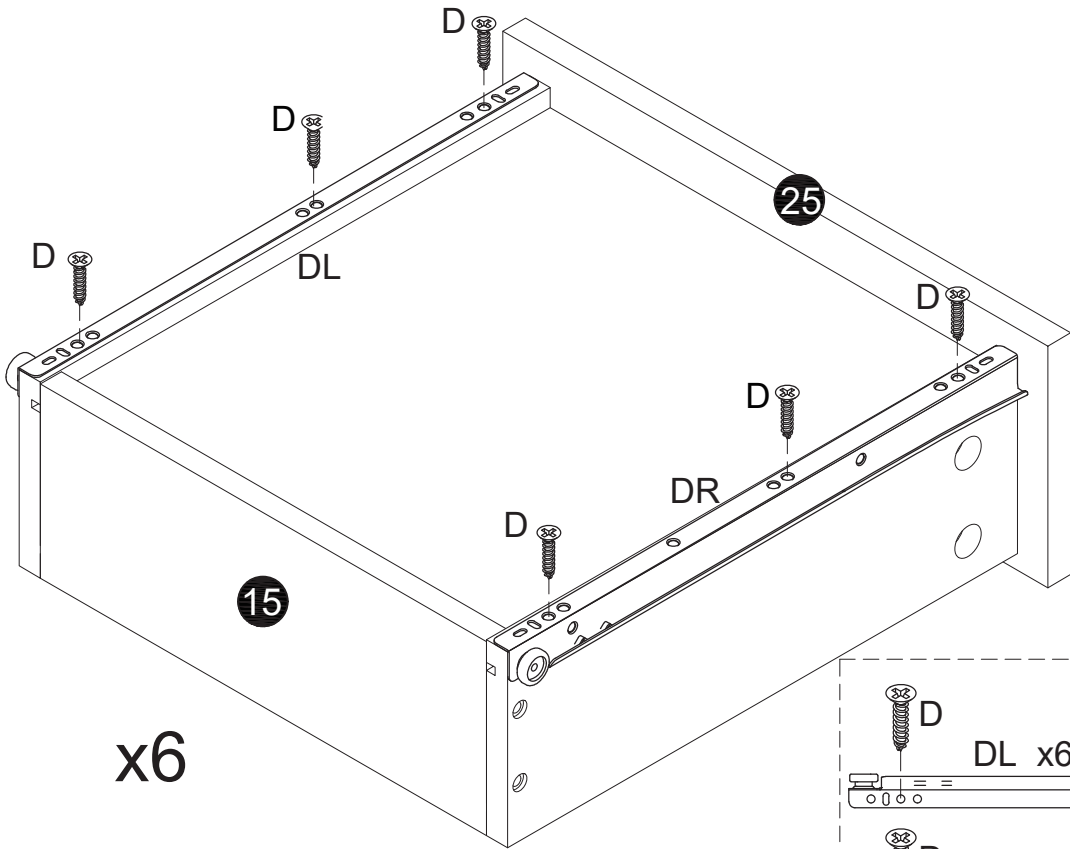


x4






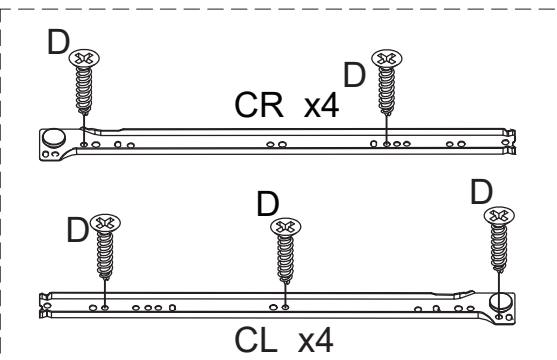
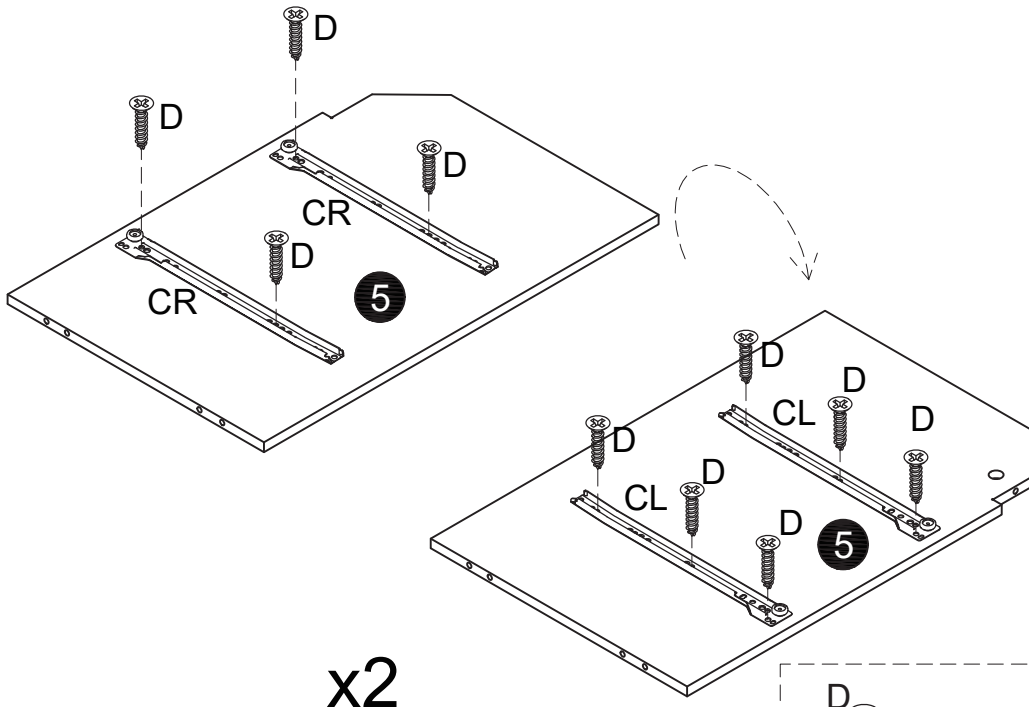
07

- M DRx6 
- M DLx6 
- Dx36 






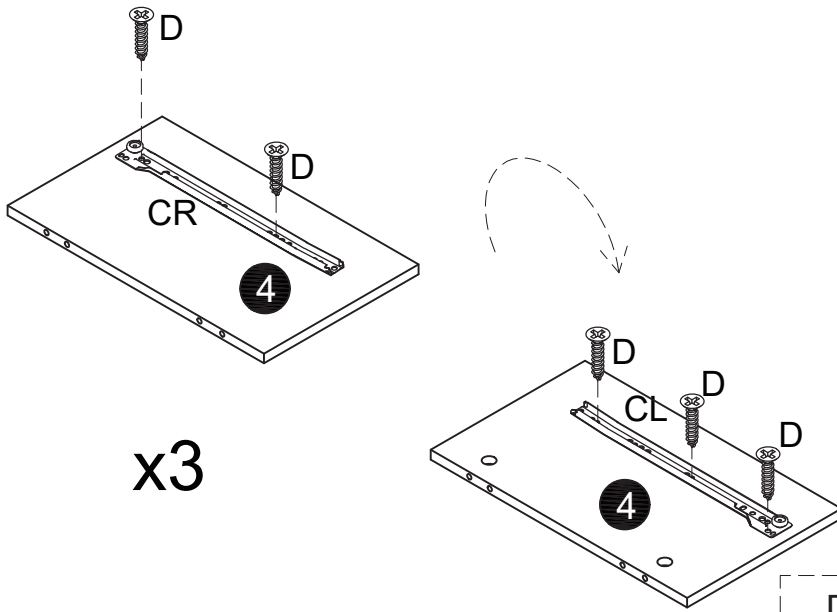
08

- Dx20 
- M CRx4 
- M CLx4 

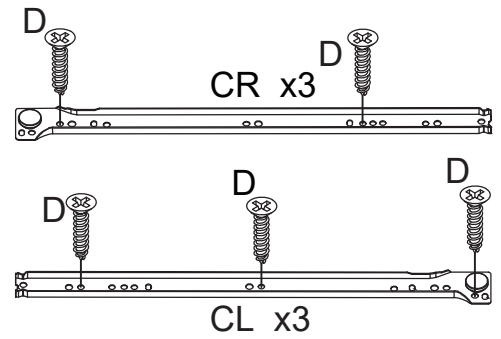


09





- Dx15 
- M CRx3 
- M CLx3 

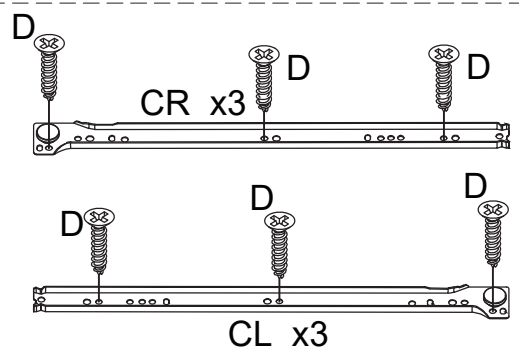
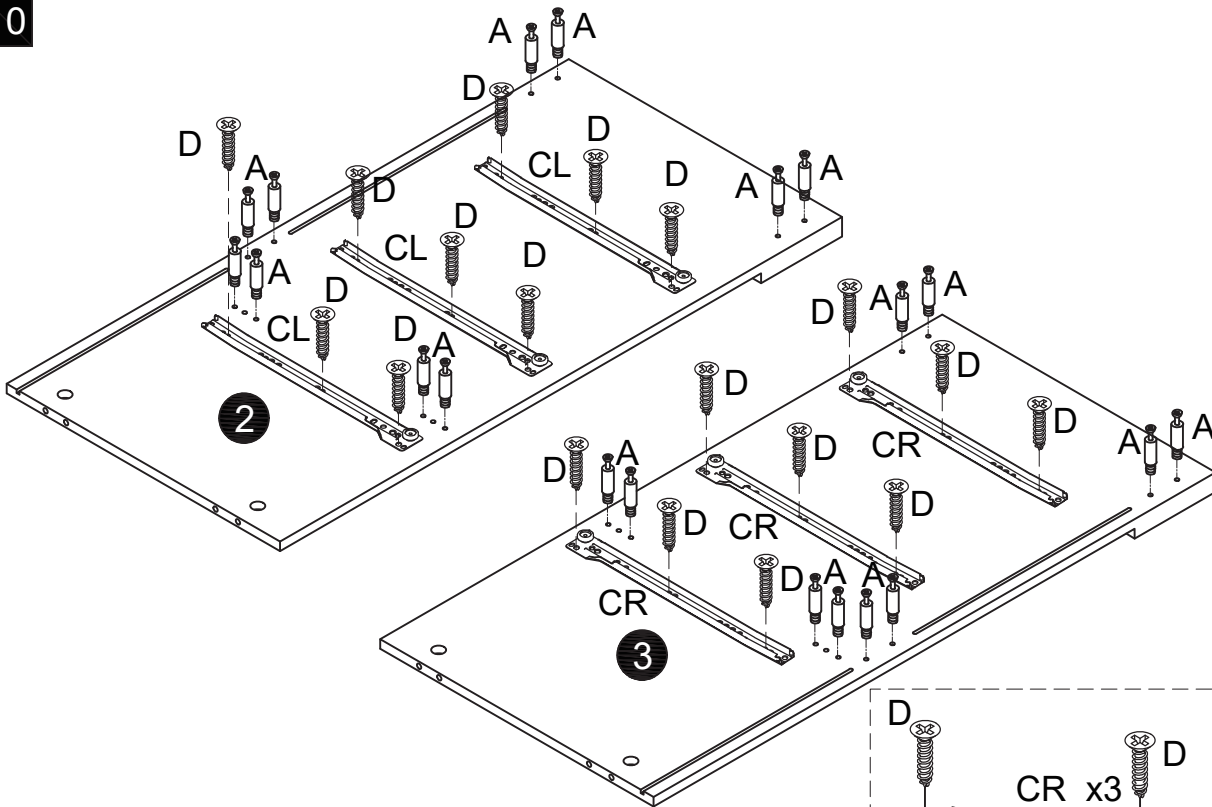


x3



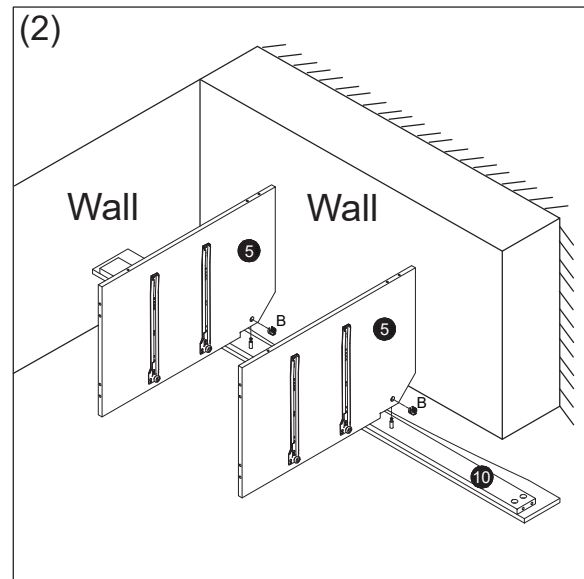
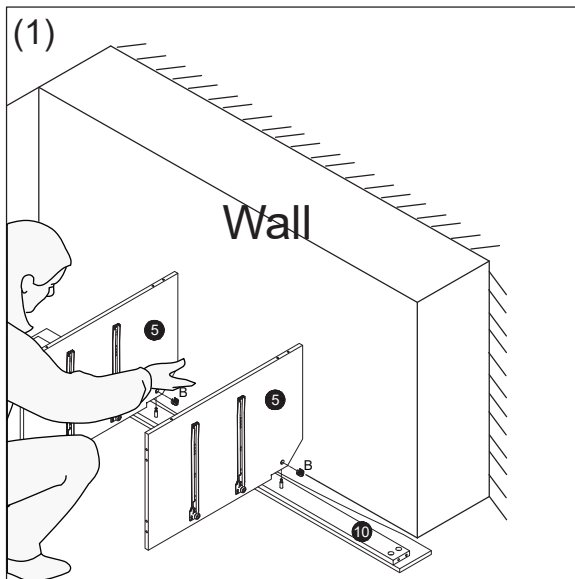
10

- Ax20 
- Dx18 
- M CRx3 
- M CLx3 



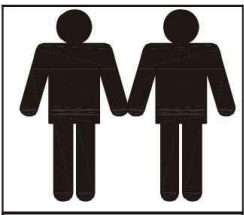
Suggestion:

When installing by one person, use the wall to assist installation

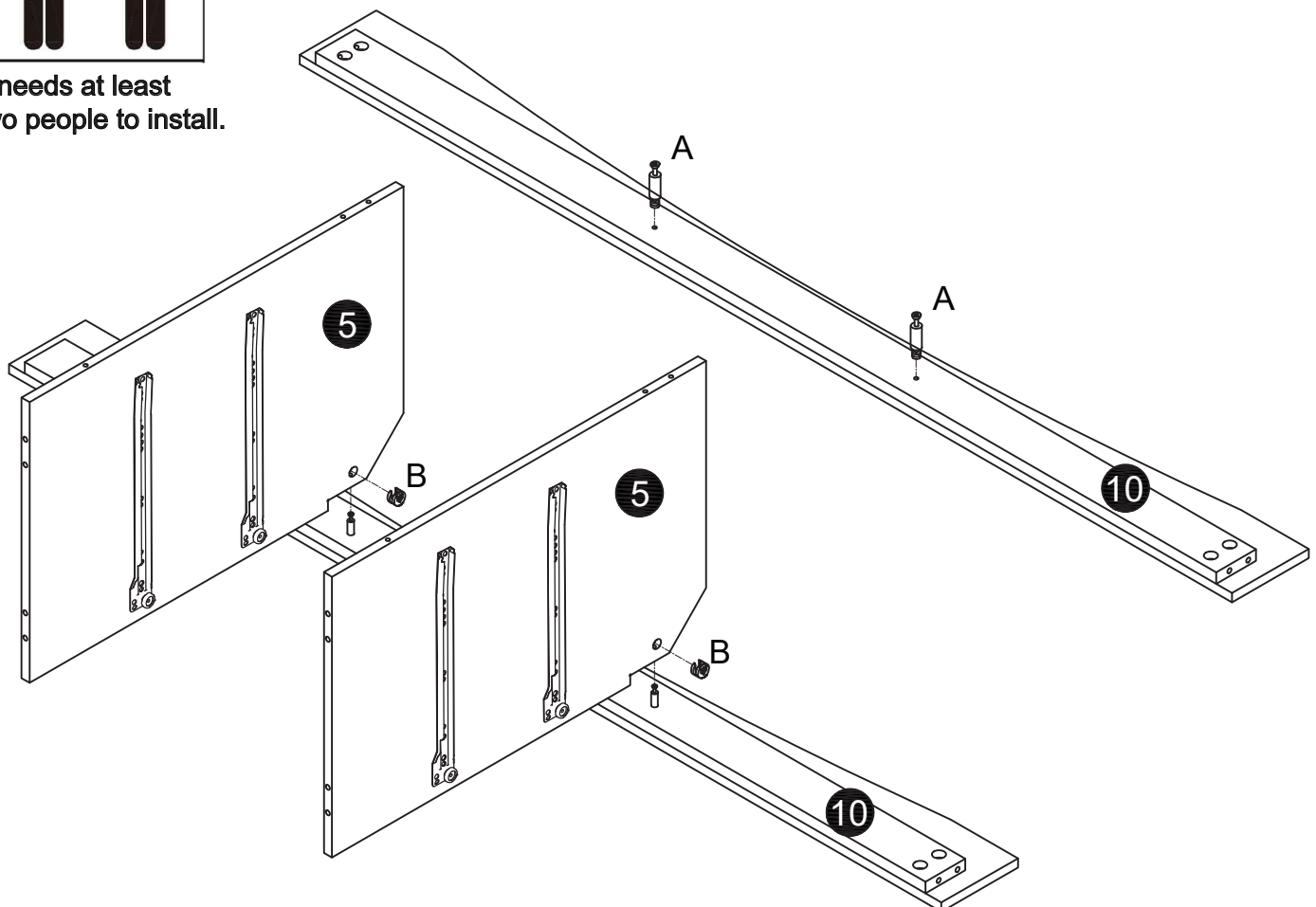


**Note:**

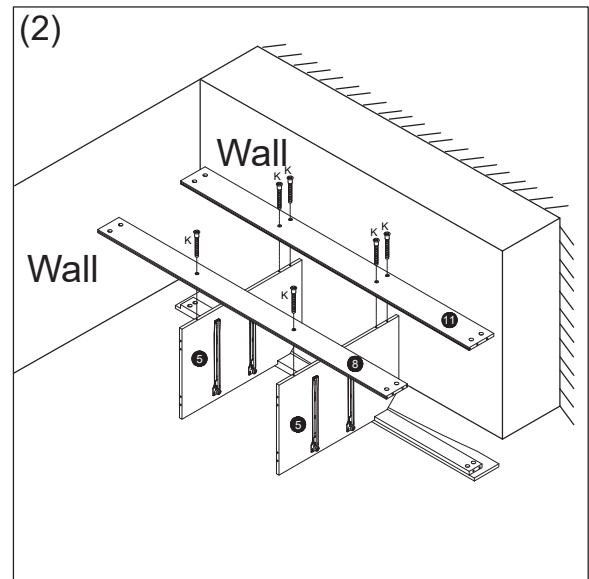
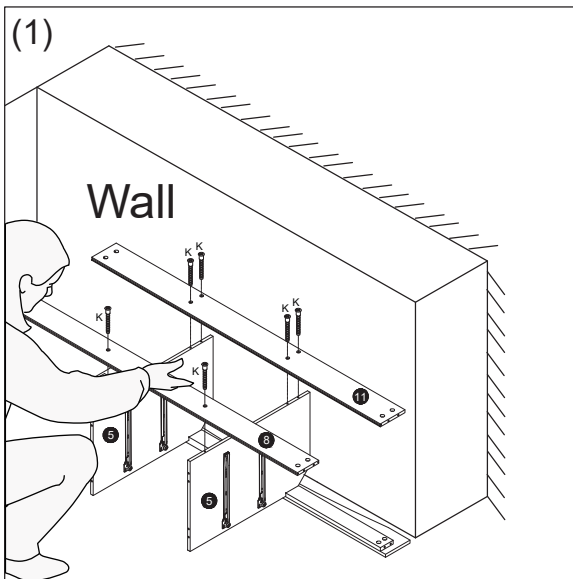
1. Should be assembled on flat ground to keep balance.



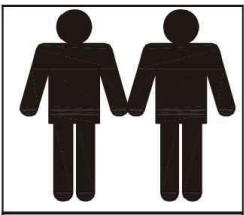
It needs at least two people to install.



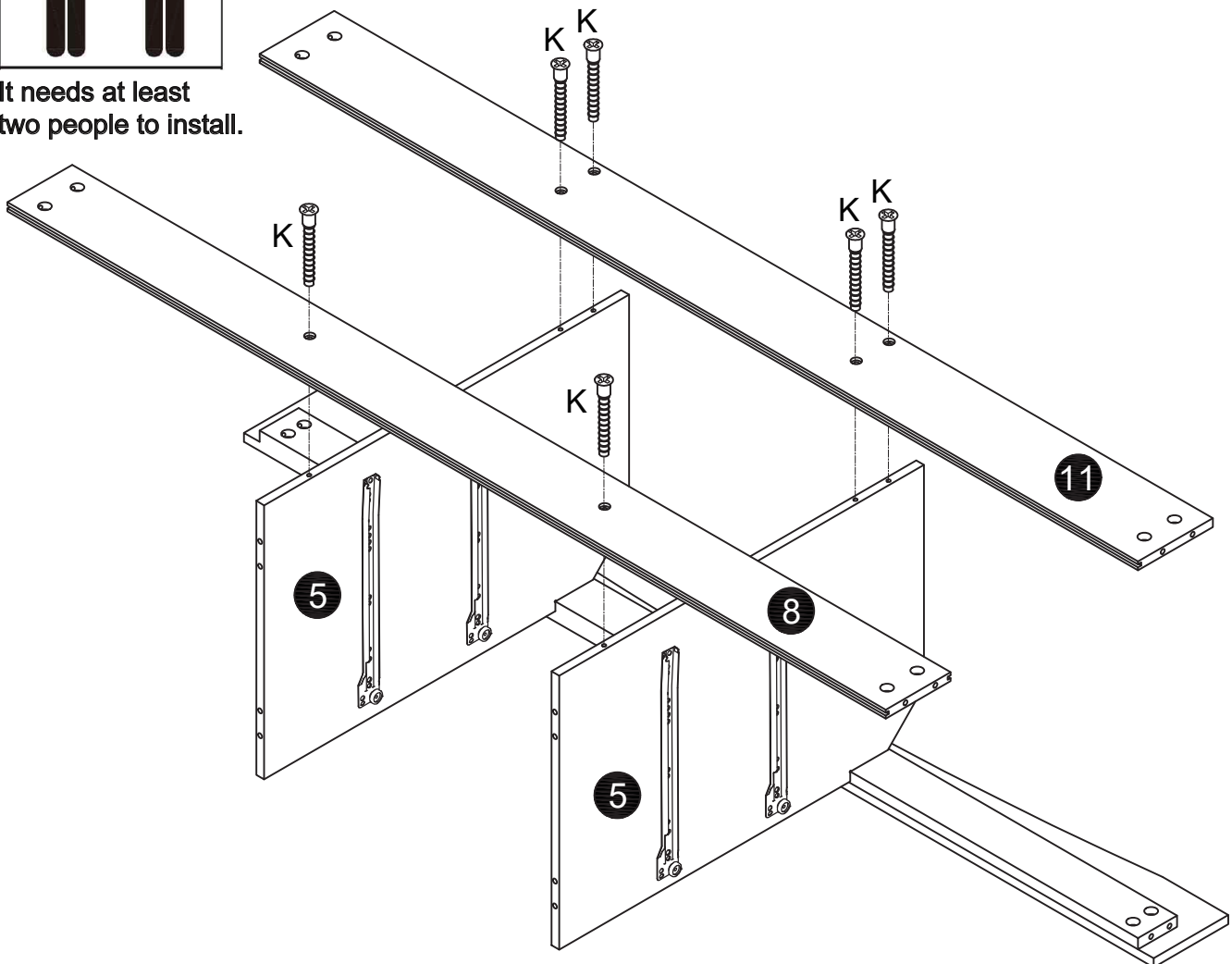
Suggestion:  
When installing by one person, use the wall to assist installation



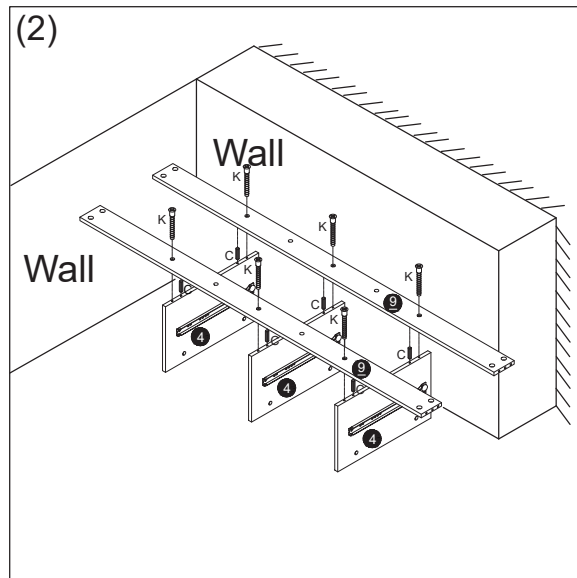
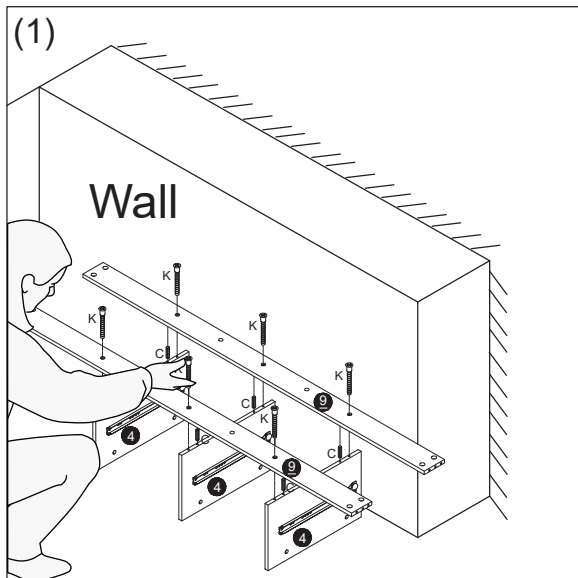
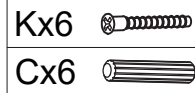
Note:  
1. Should be assembled on  
flat ground to keep balance.



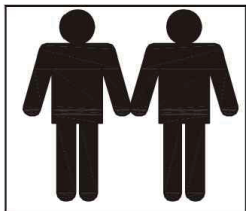
It needs at least  
two people to install.



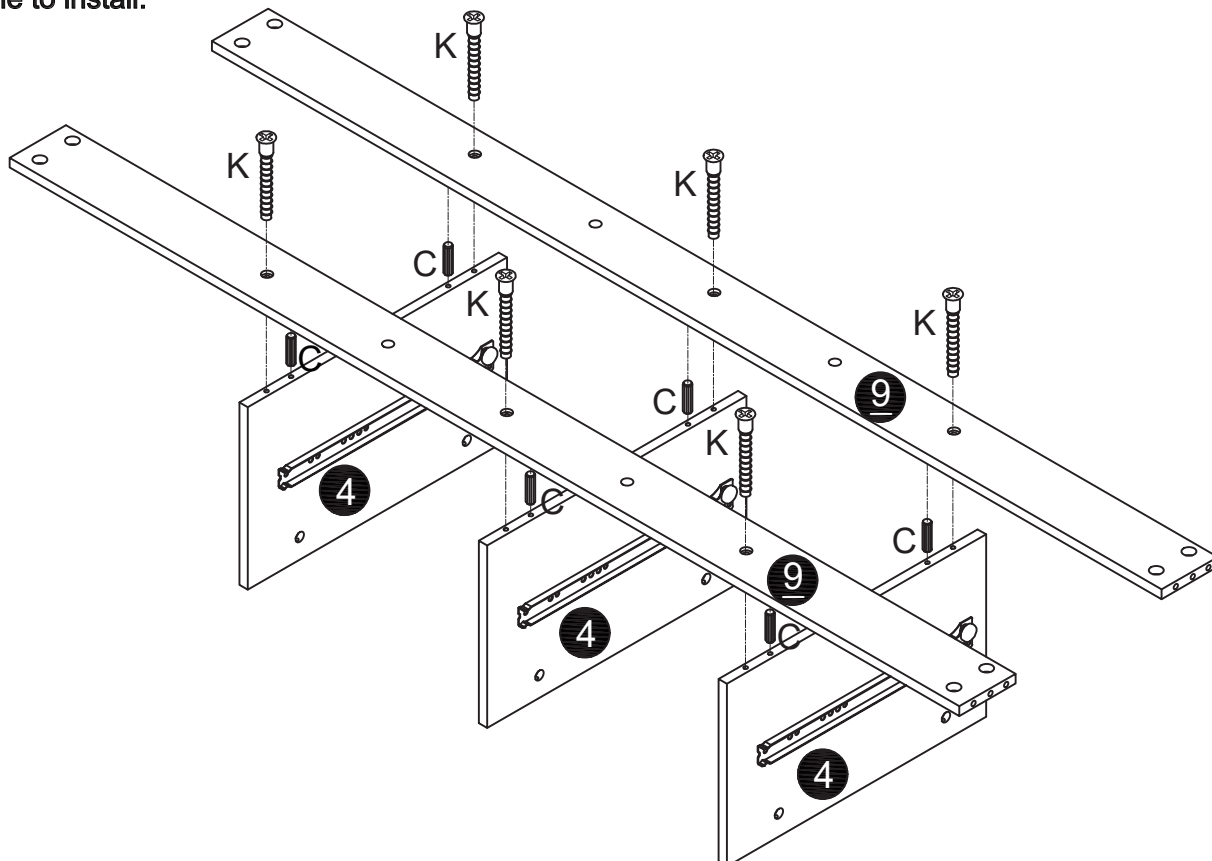
Suggestion:  
When installing by one person, use the wall to assist installation



**Note:**  
1. Should be assembled on flat ground to keep balance.

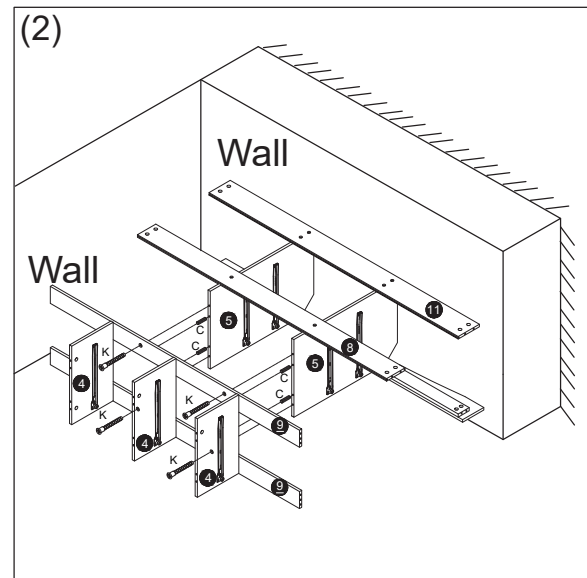
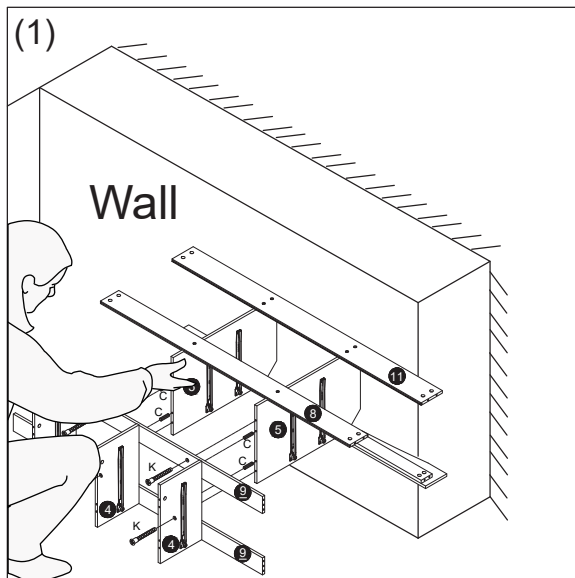


It needs at least two people to install.



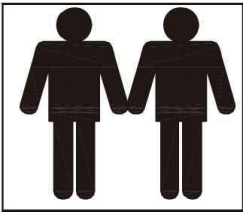
Suggestion:

When installing by one person, use the wall to assist installation

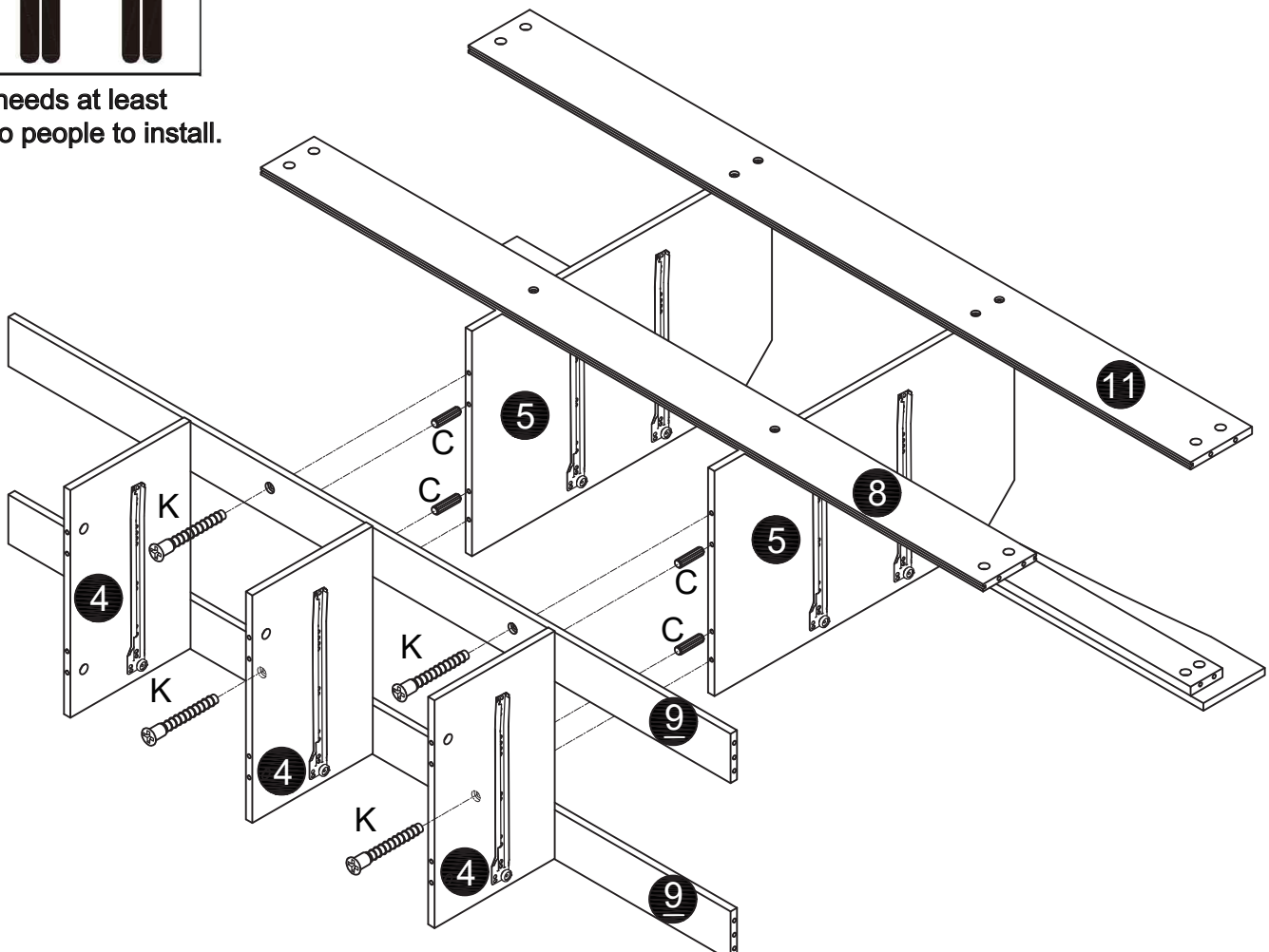


Note:



1. Should be assembled on flat ground to keep balance.

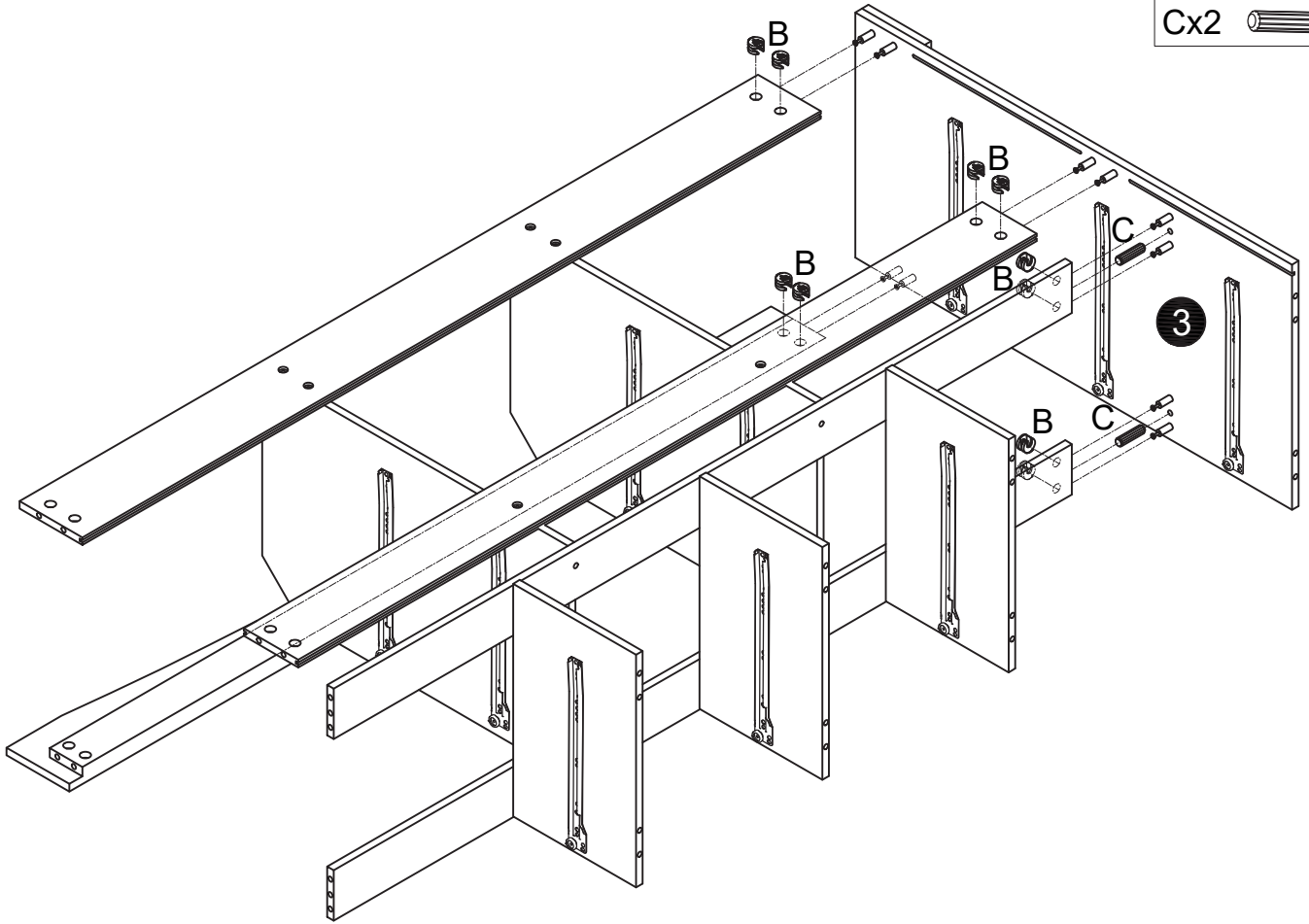


It needs at least two people to install.

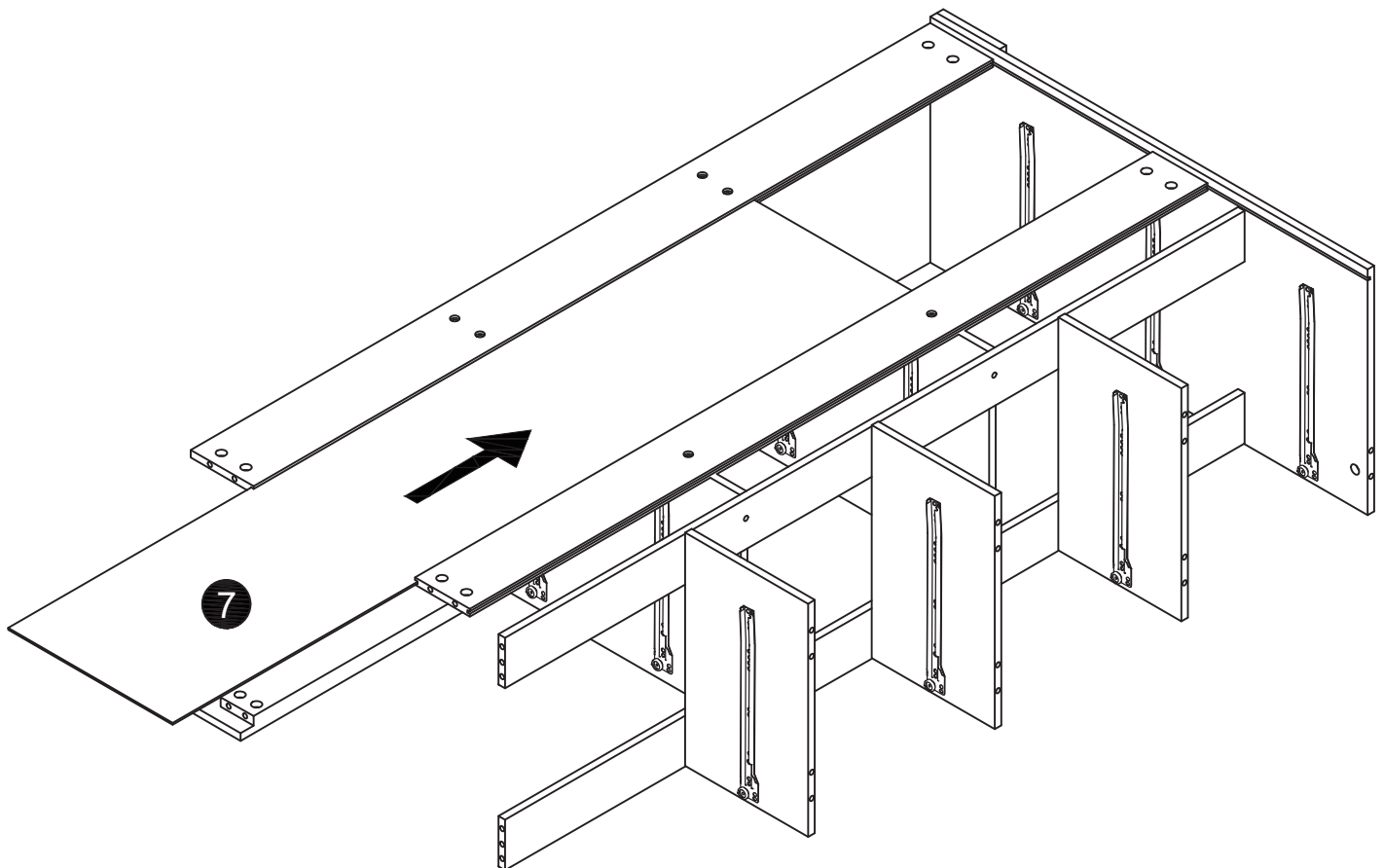


15



Bx10   
Cx2 

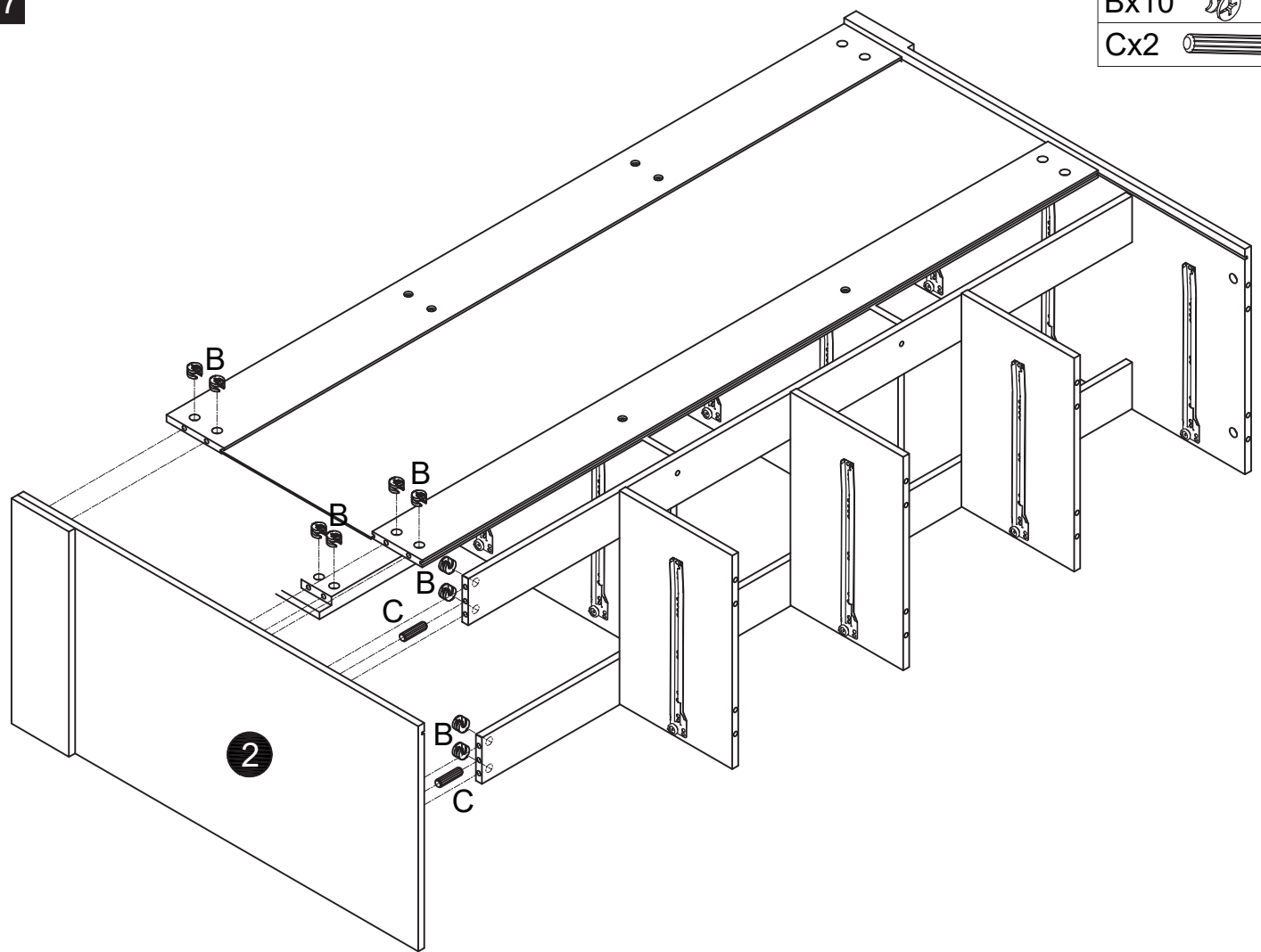


16

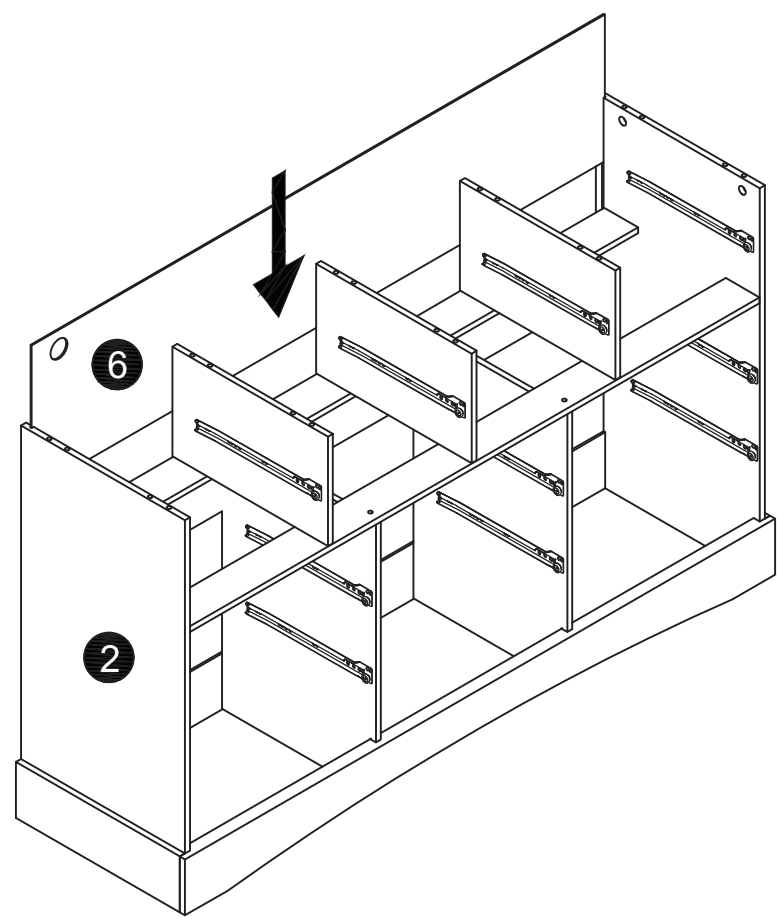


17

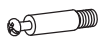
Bx10   
Cx2 

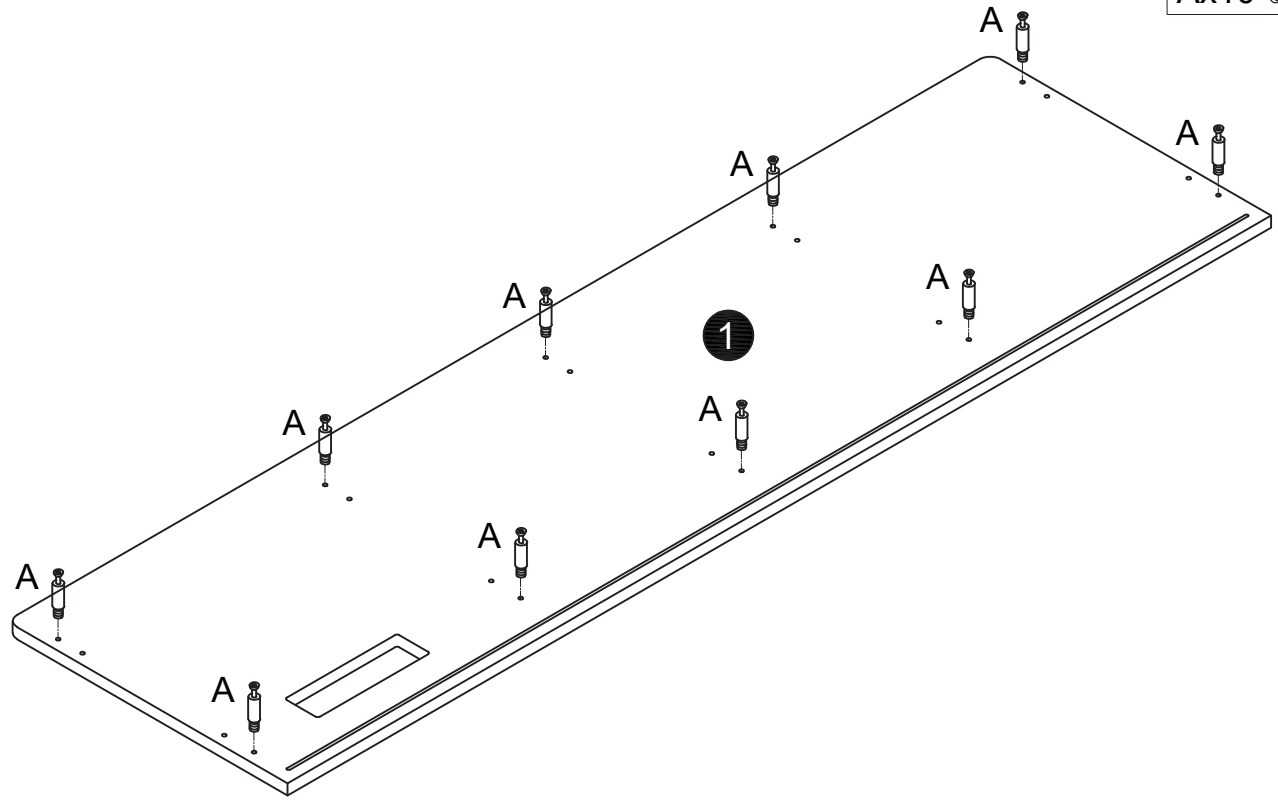


18





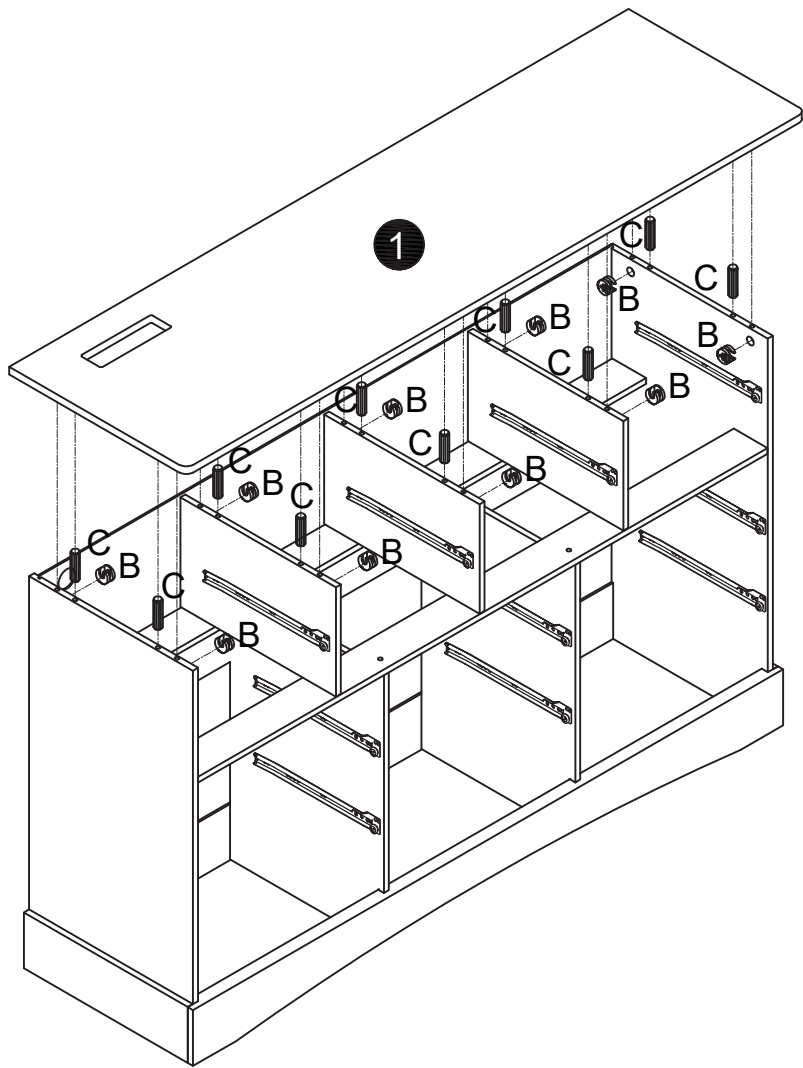
19

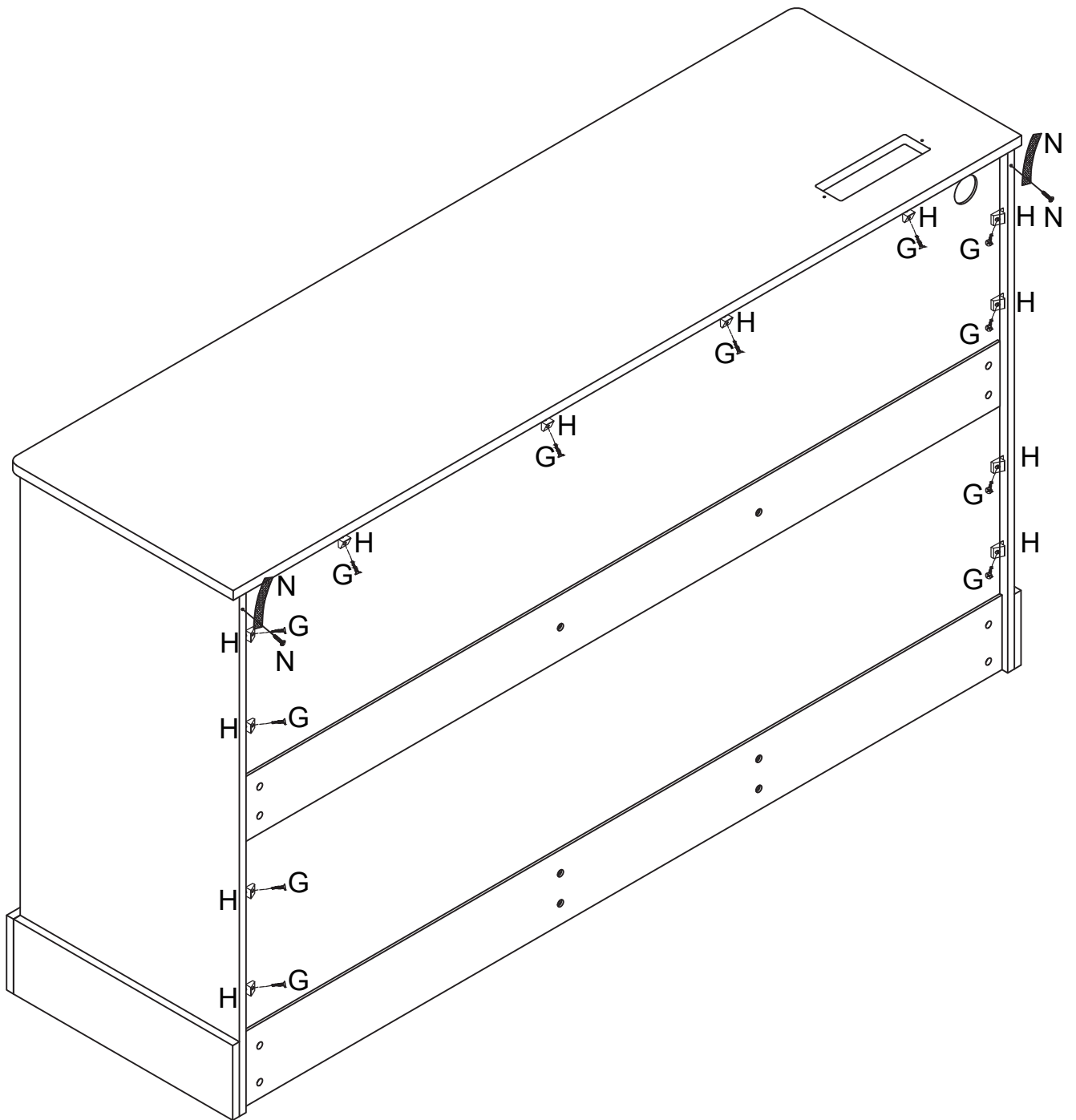
Ax10 

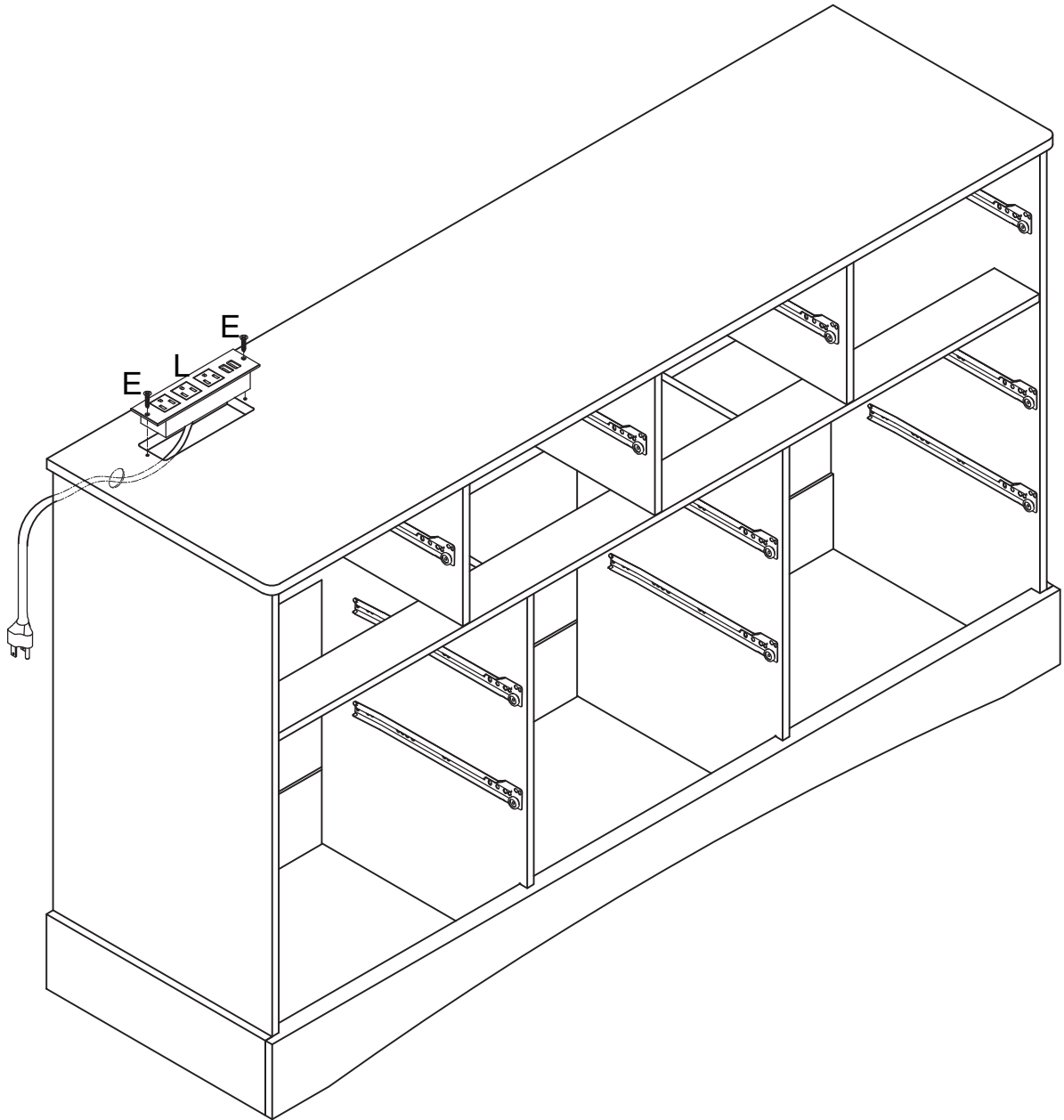


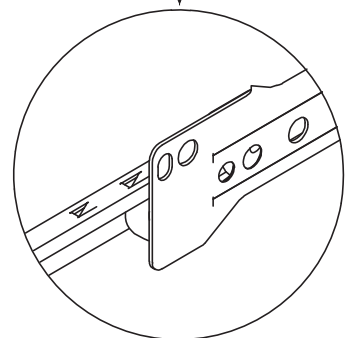
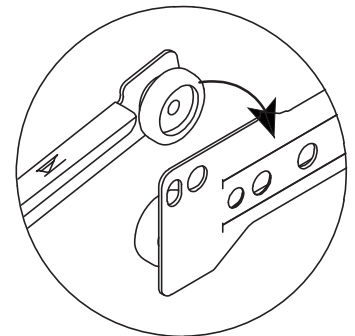
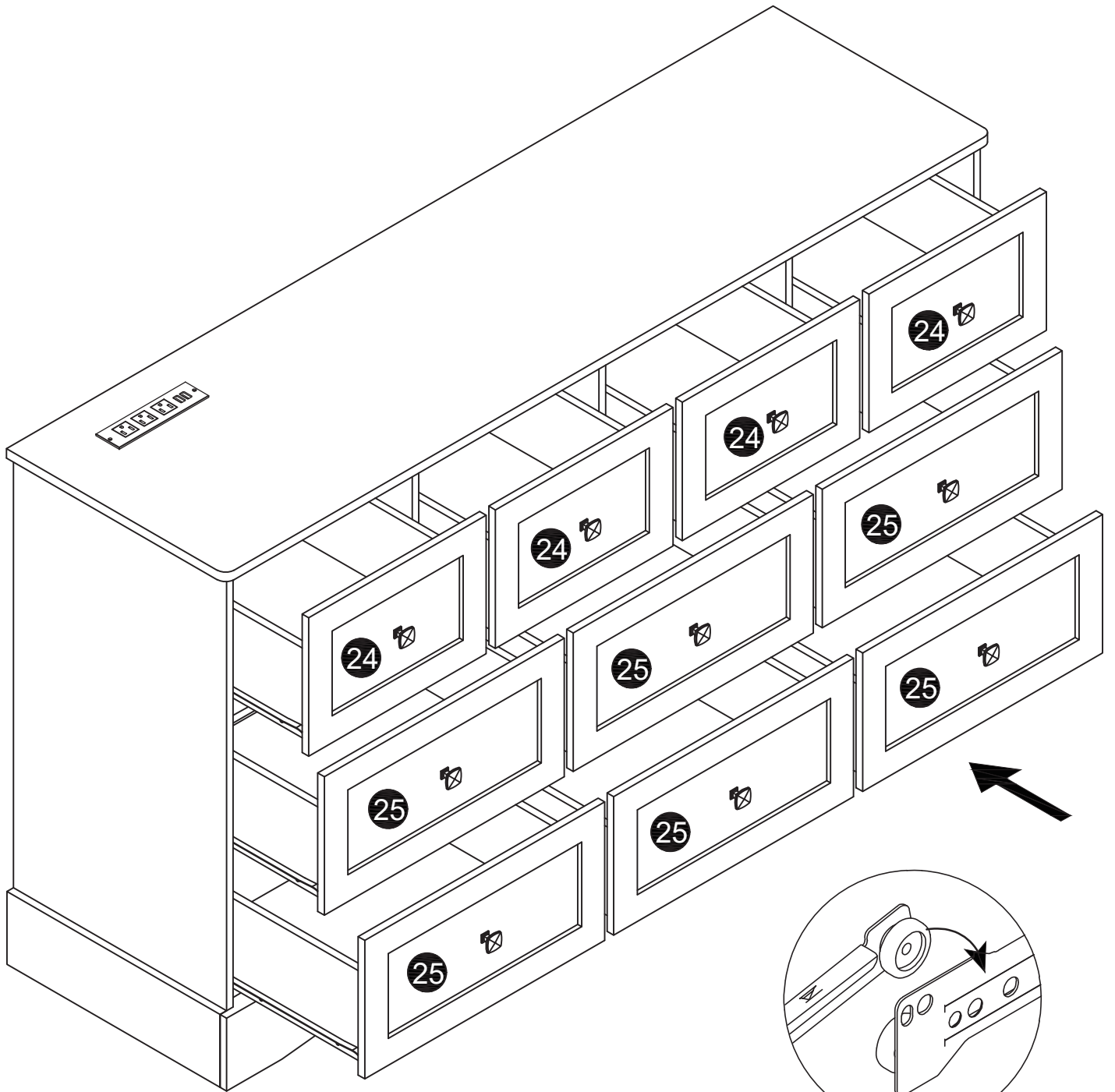
20

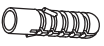
Bx10   
Cx10 









- x2 
- Nx2 