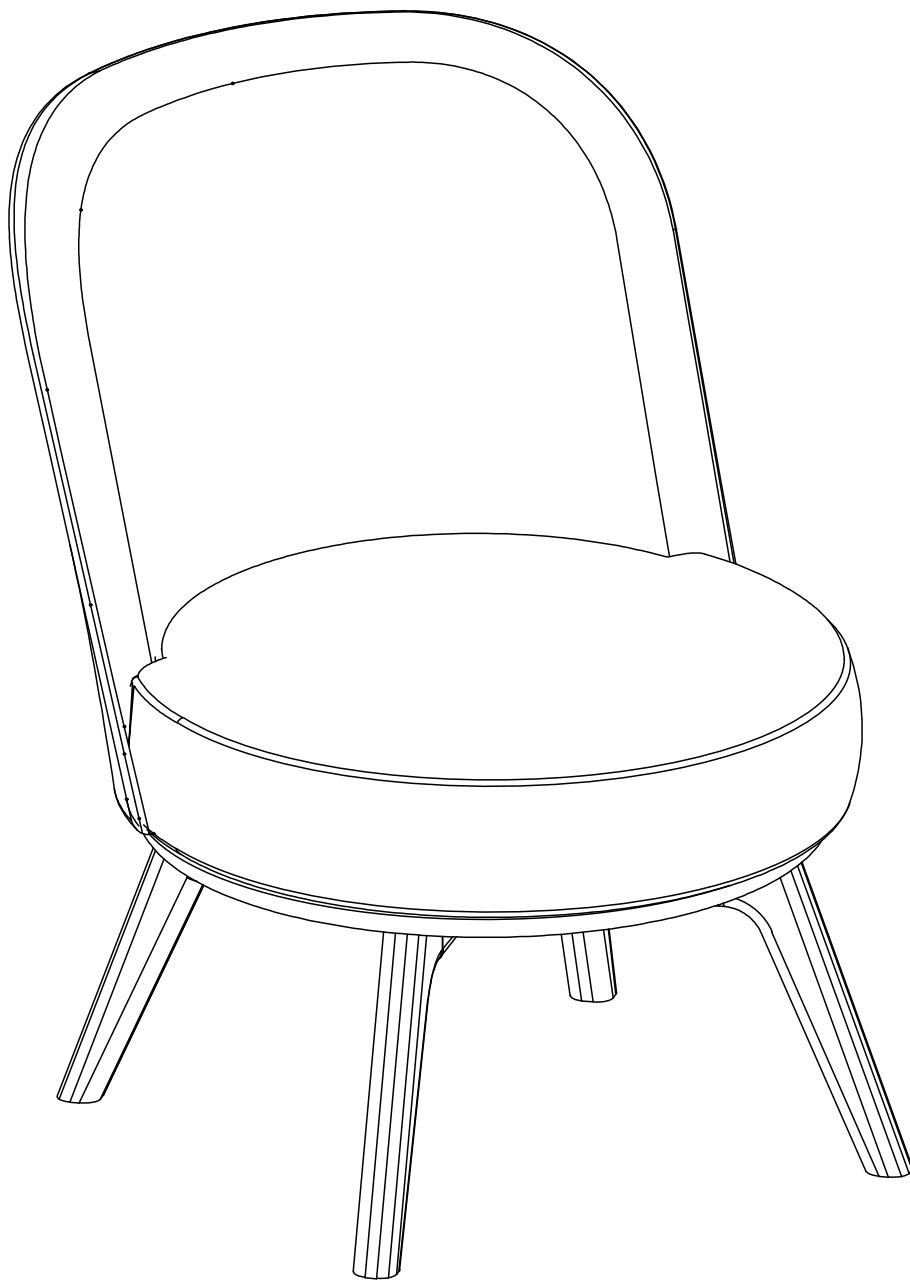
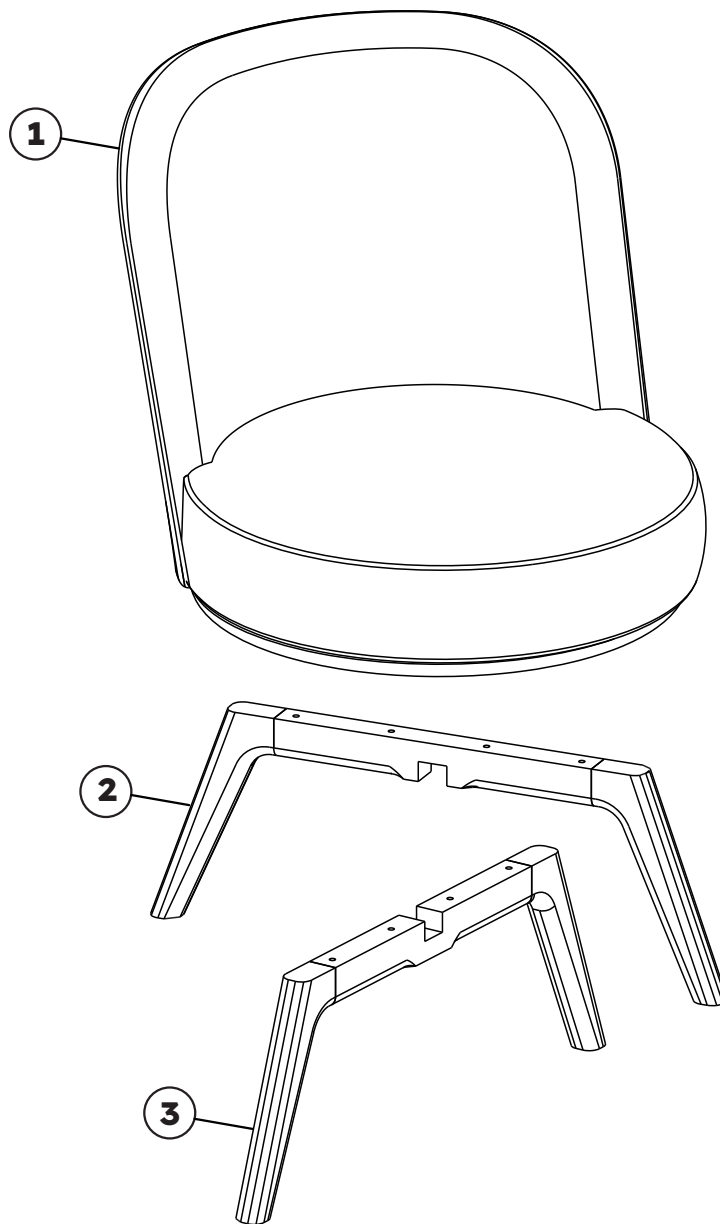


Accent Chair

Assembly Instructions



Overview



IMPORTANT: 1 person needed for assembly.

This will help to minimize potential damage to the product or injury to persons during assembly.



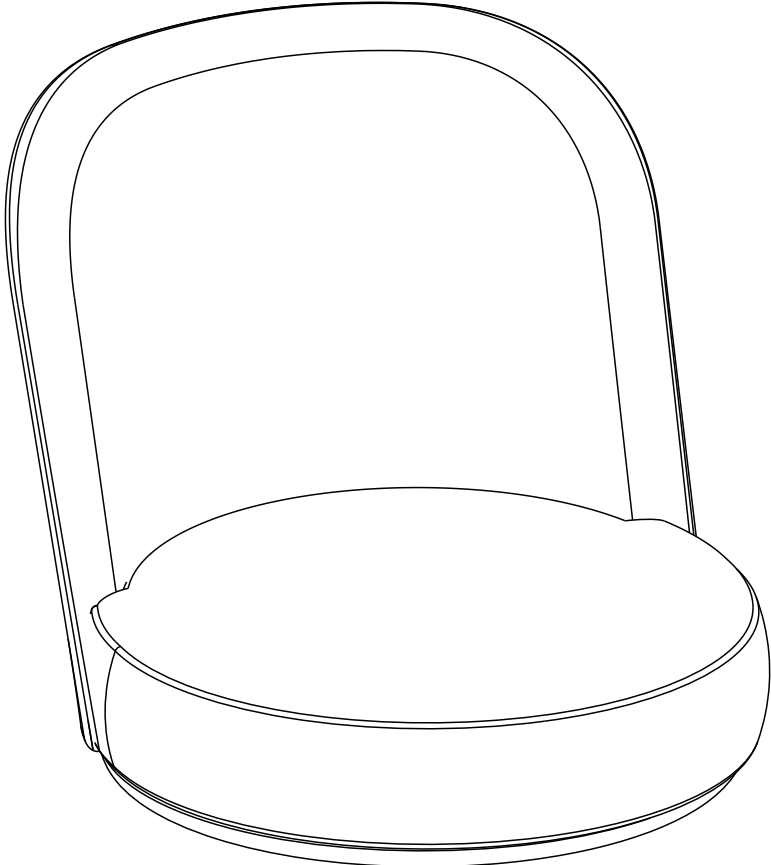
Please do not completely tighten all the hardware, until each assembly step is complete.



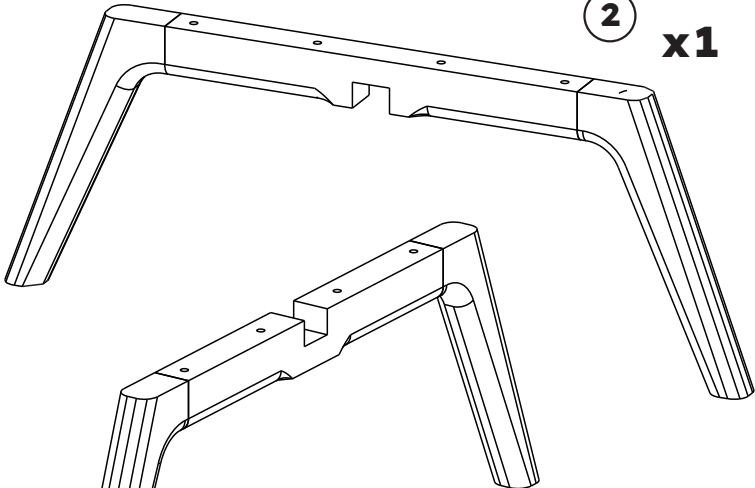
Before discarding the packaging, please use the checklist to ensure that you have all the parts required to assemble your product. Please kindly note you will need the original package if you want to return the product later.

Part

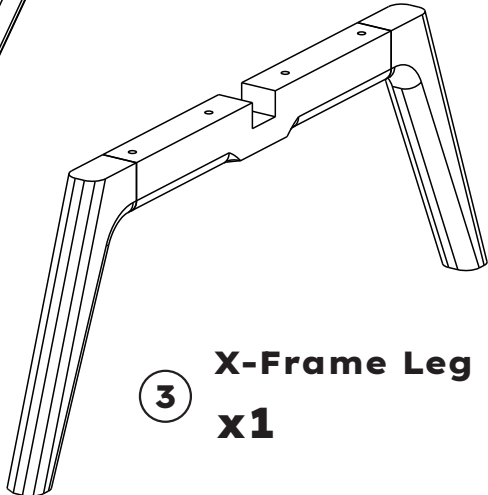
① **Seat and Back Cushion**
x1



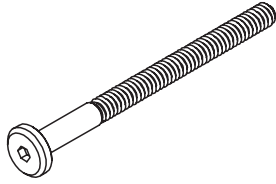
② **X-Frame Leg (Part A)**
x1



③ **X-Frame Leg (Part B)**
x1

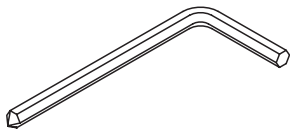


Hardware



A

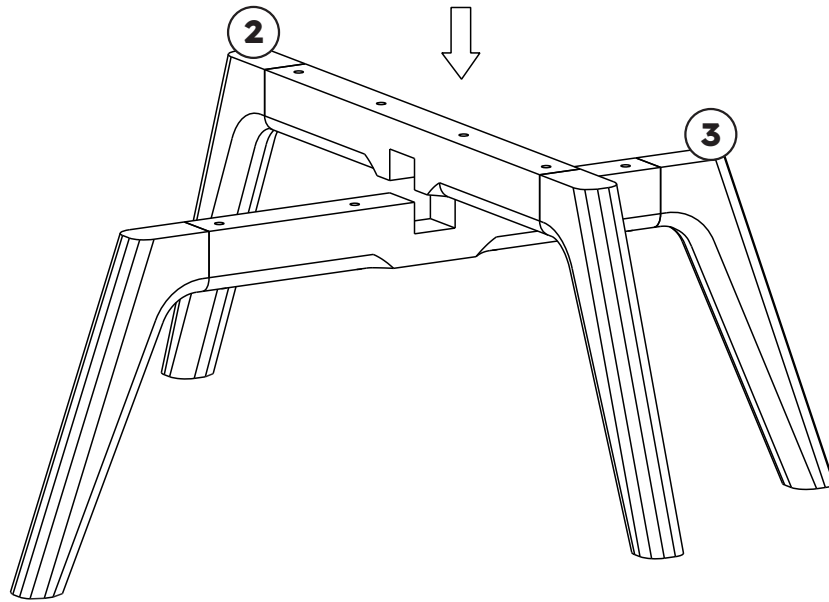
**Bolt M6 x 60
x8**



B

**Allenkey 4mm
x1**

Step 1



Step 2

