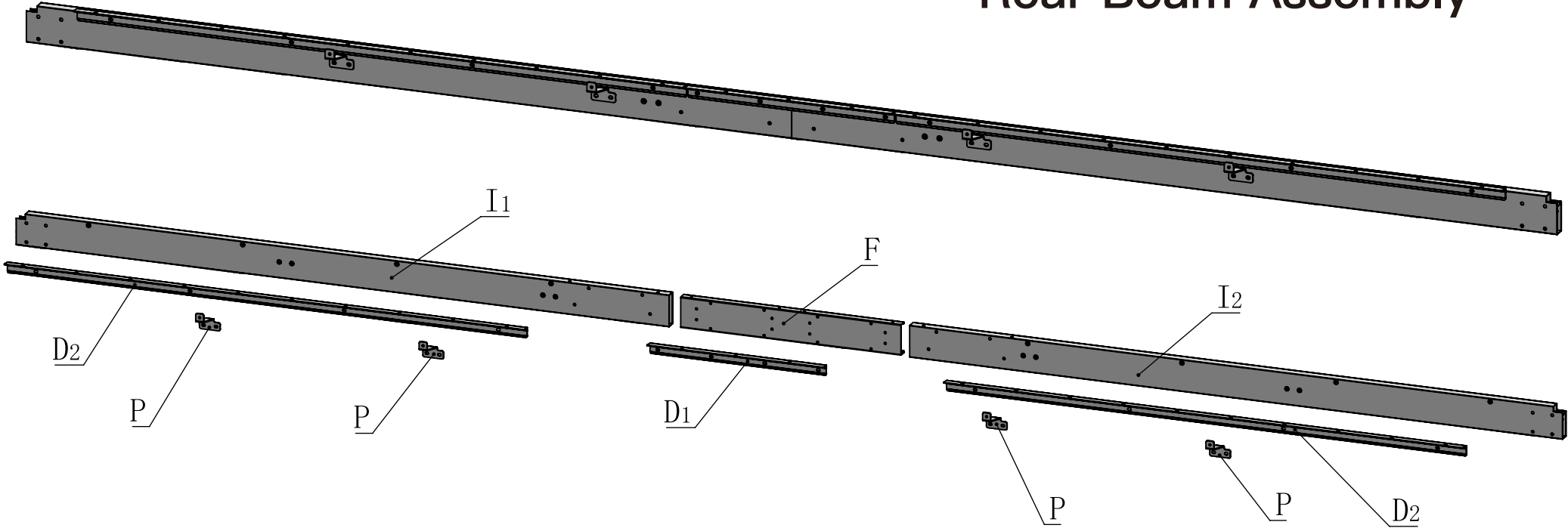
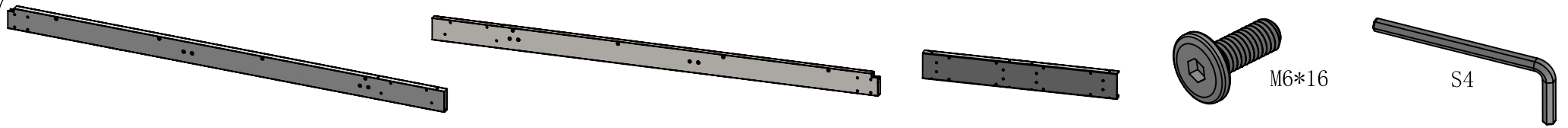


Rear Beam Assembly





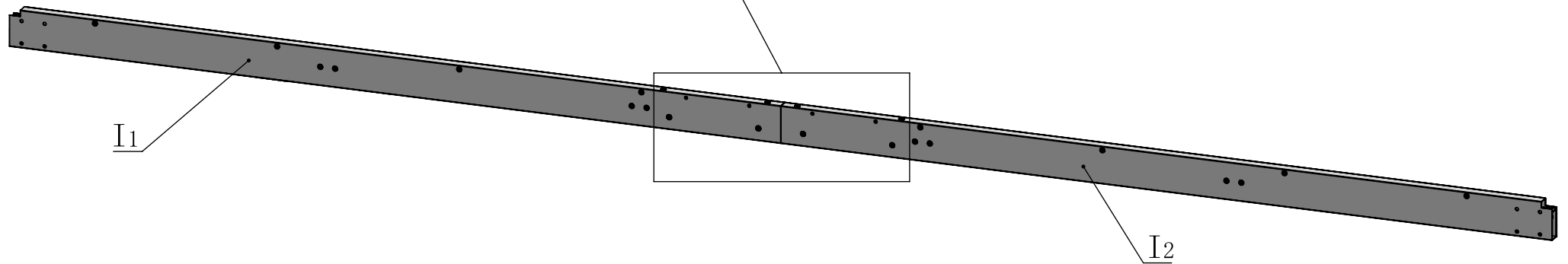
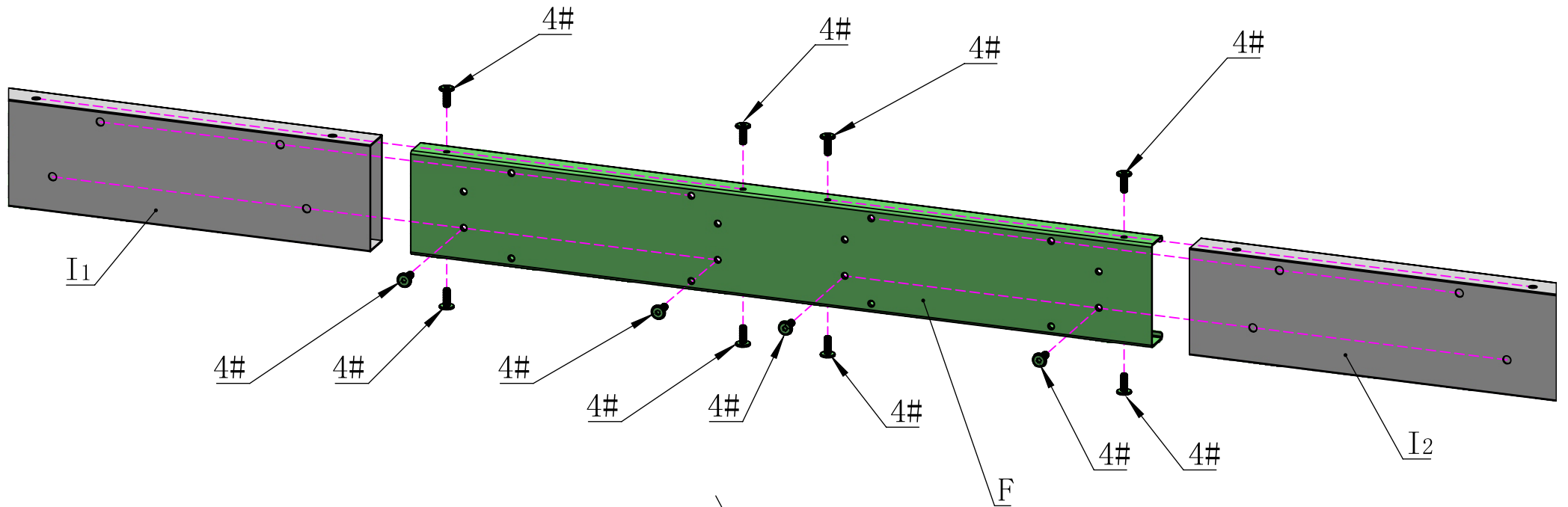
I₁ 1X

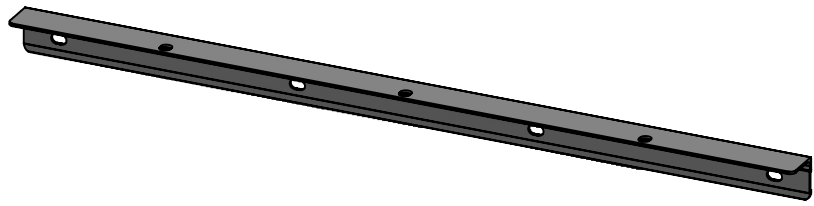
I₂ 1X

F 1X

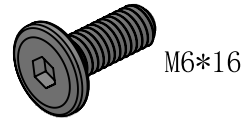
4# M6*16 12X

24# S4 1X



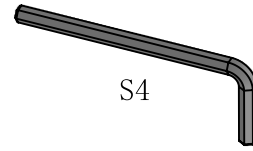


D1 1X



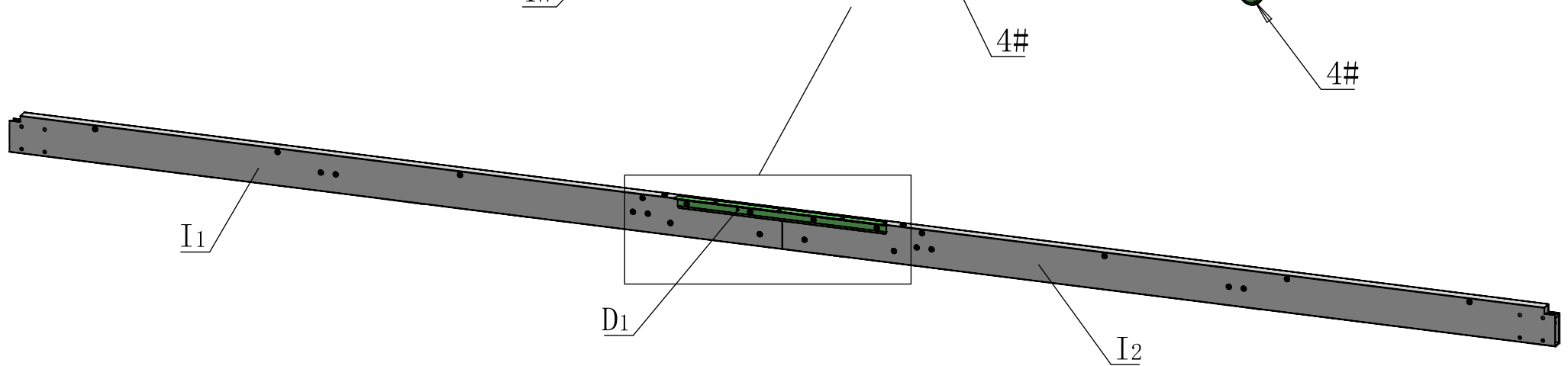
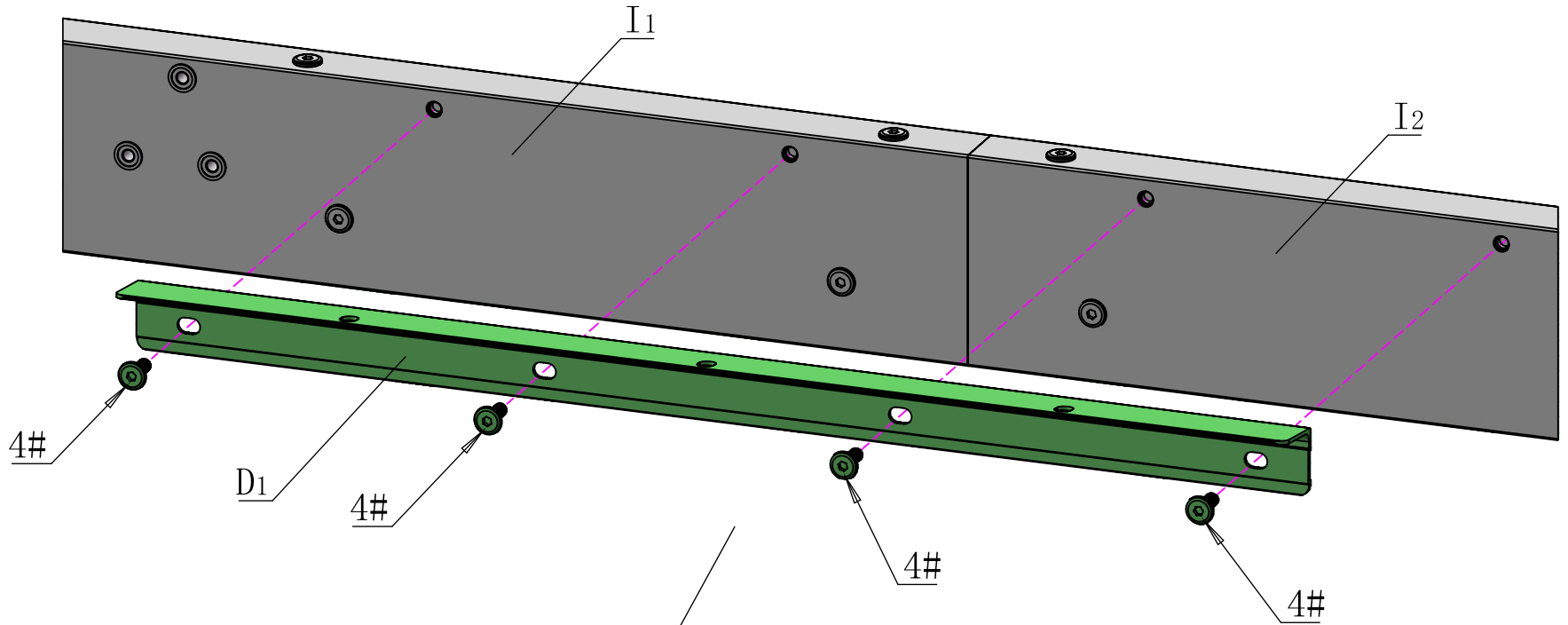
M6*16

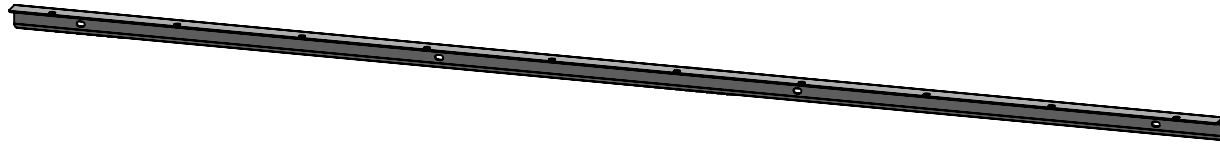
4# 4X



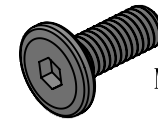
S4

24# 1X





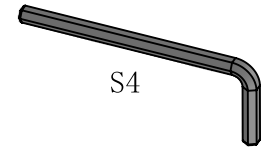
D2 2X



M6*16

4#

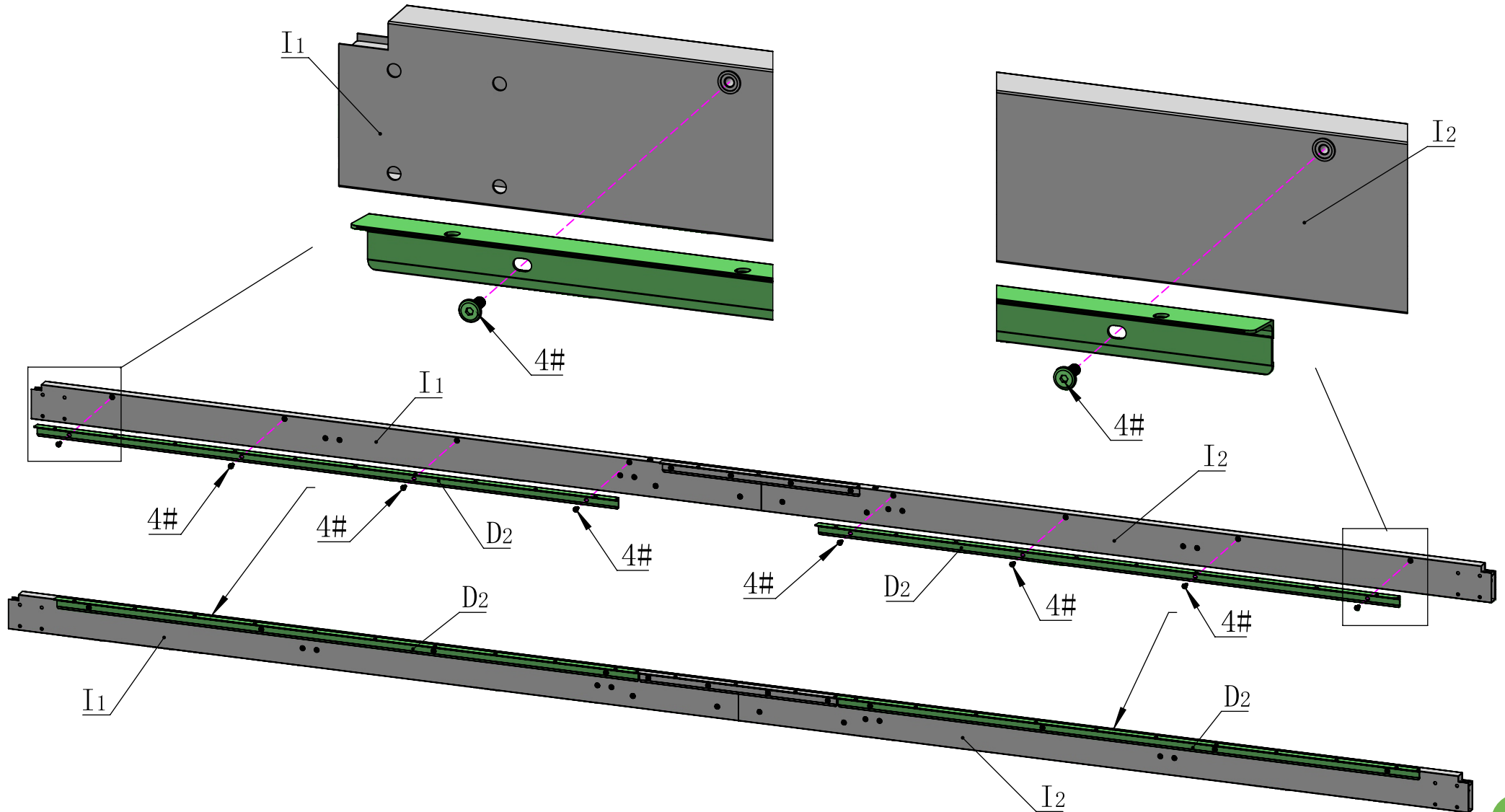
8X

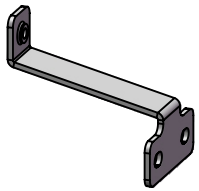


S4

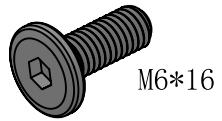
24#

1X

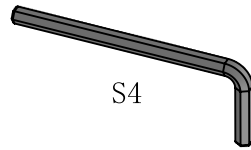




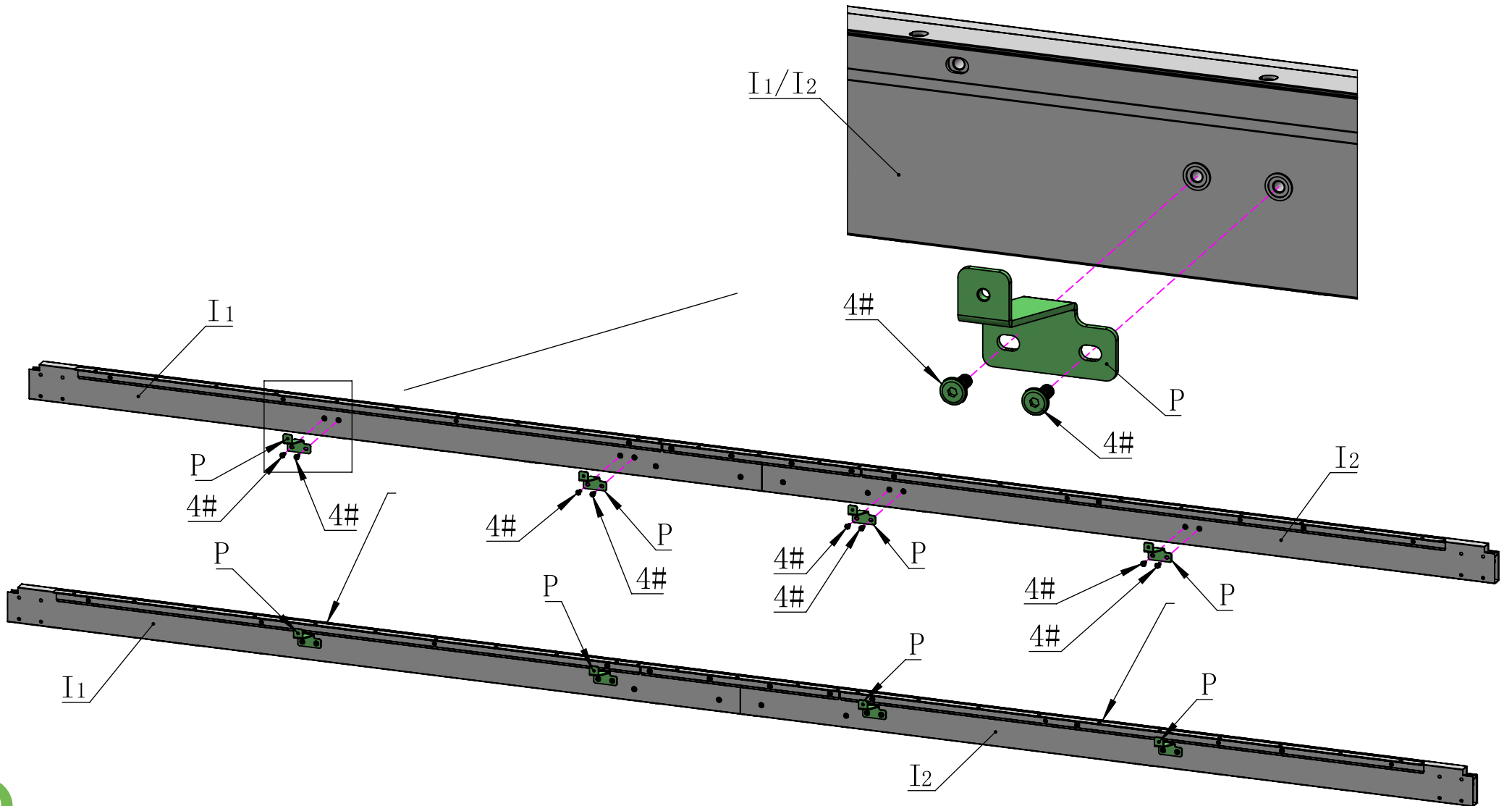
P 4X

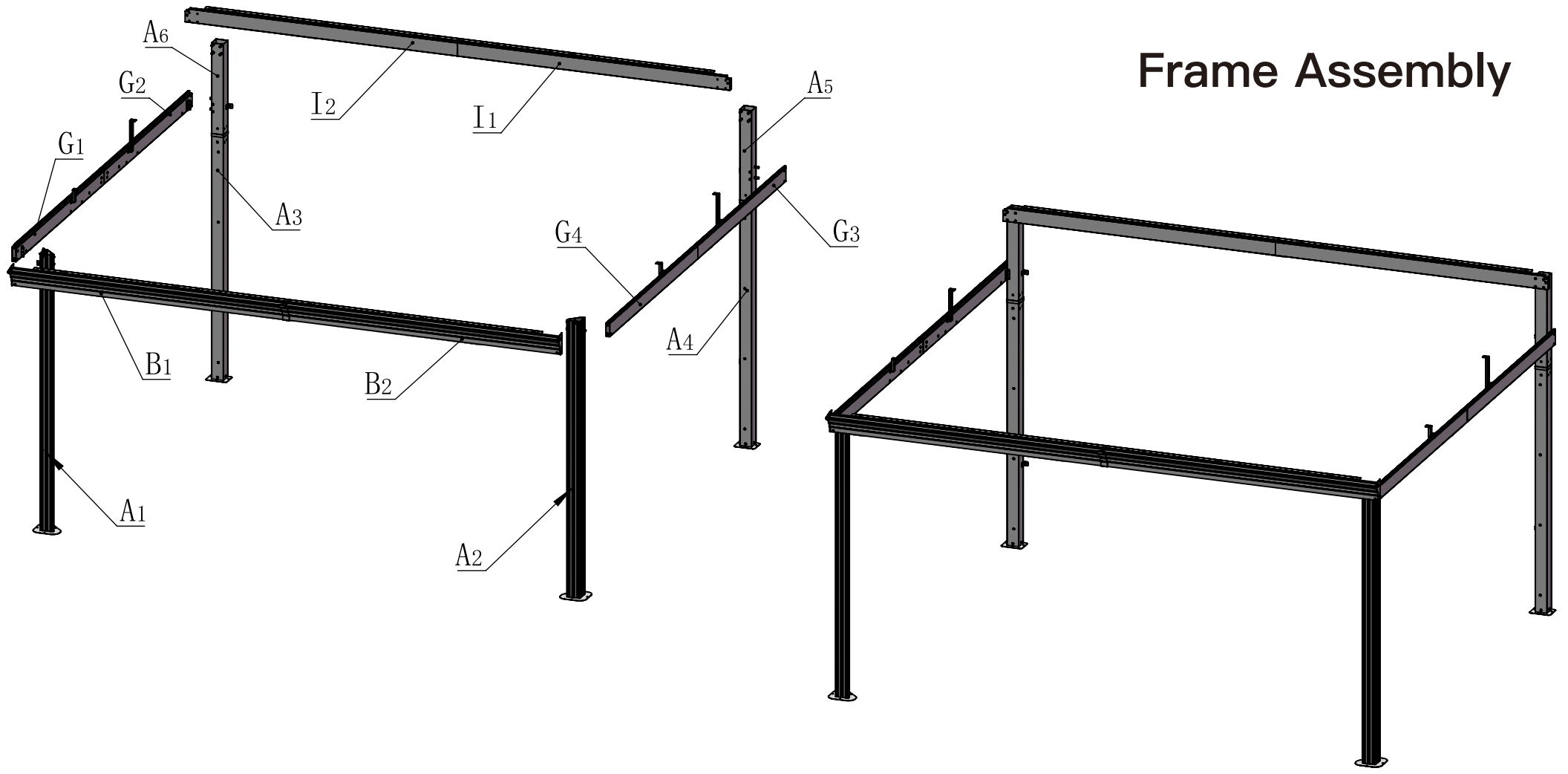


4# 8X

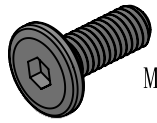


S4 24# 1X

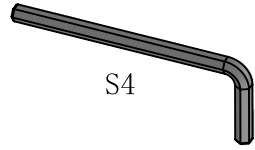




Frame Assembly



M6*16



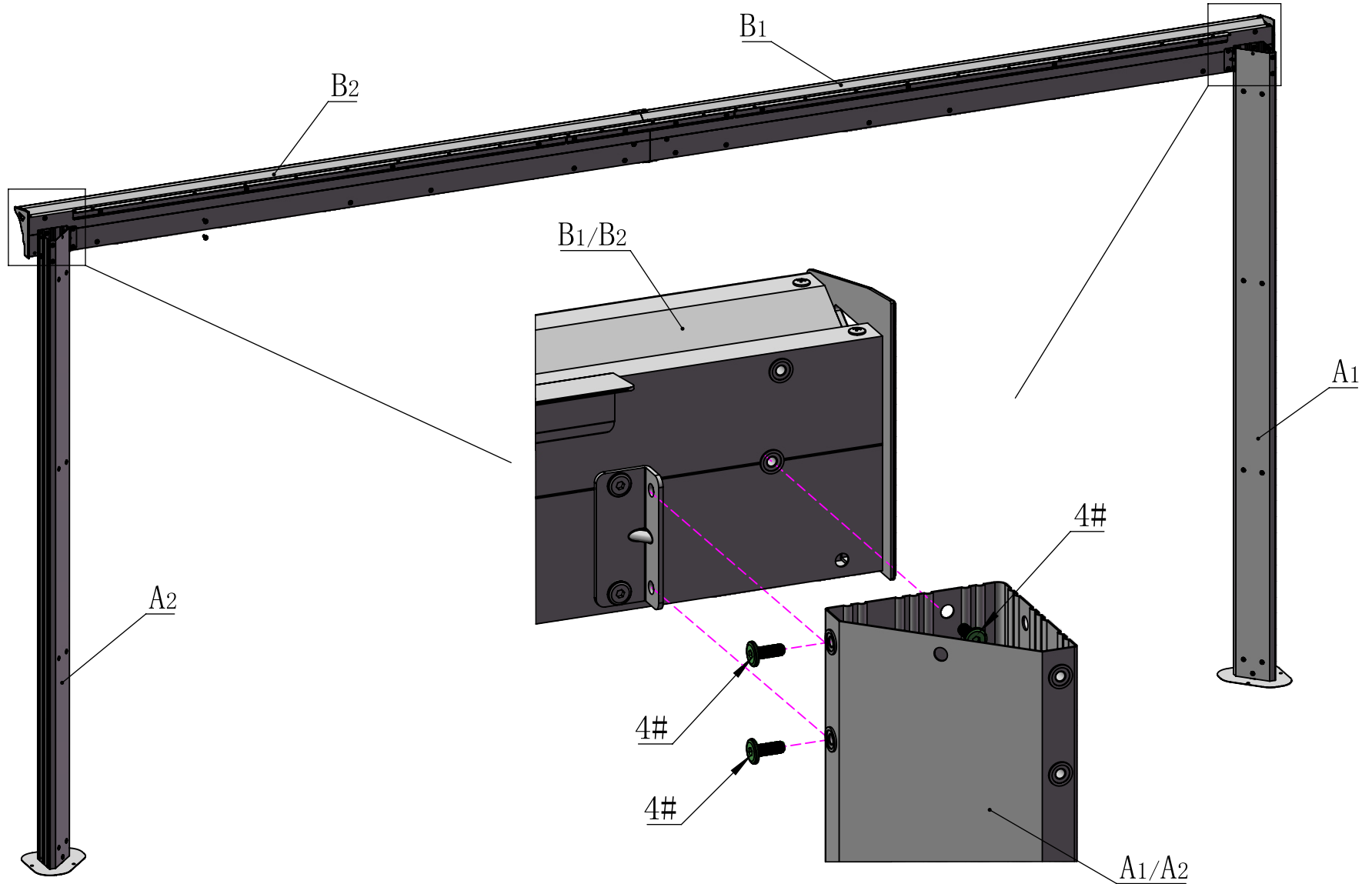
S4

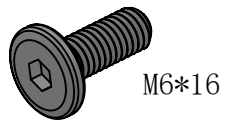
4#

6X

24#

1X

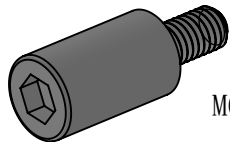




M6*16

4#

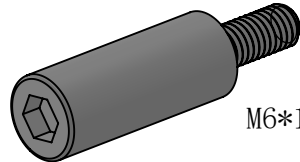
10X



M6*12 (L20)

7#

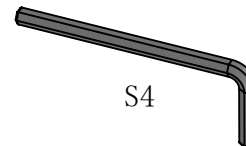
2X



M6*15 (L30)

8#

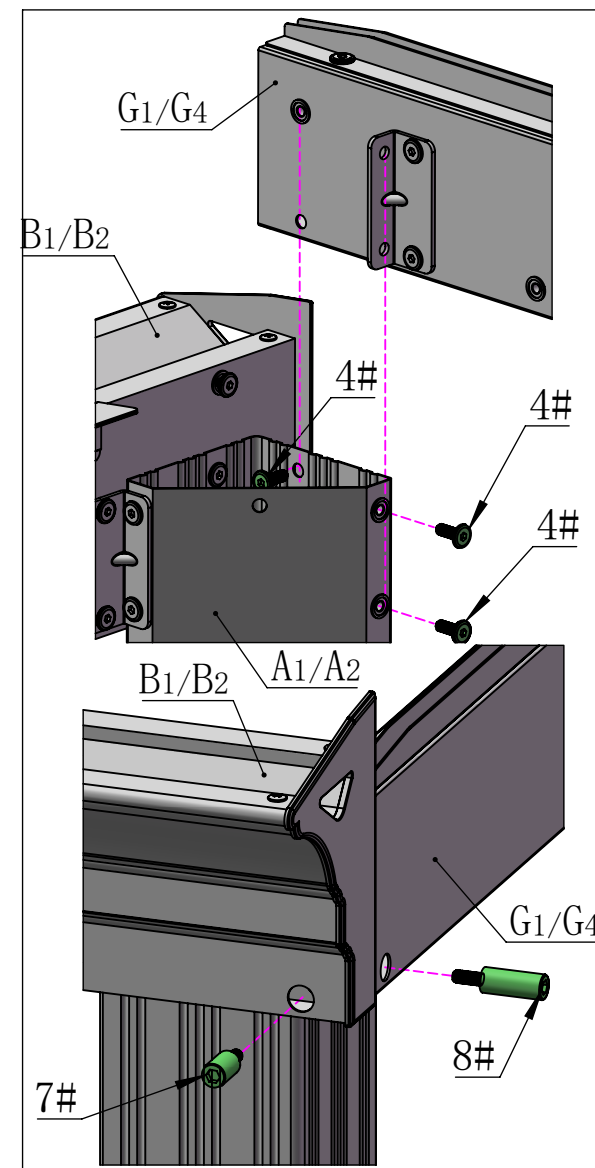
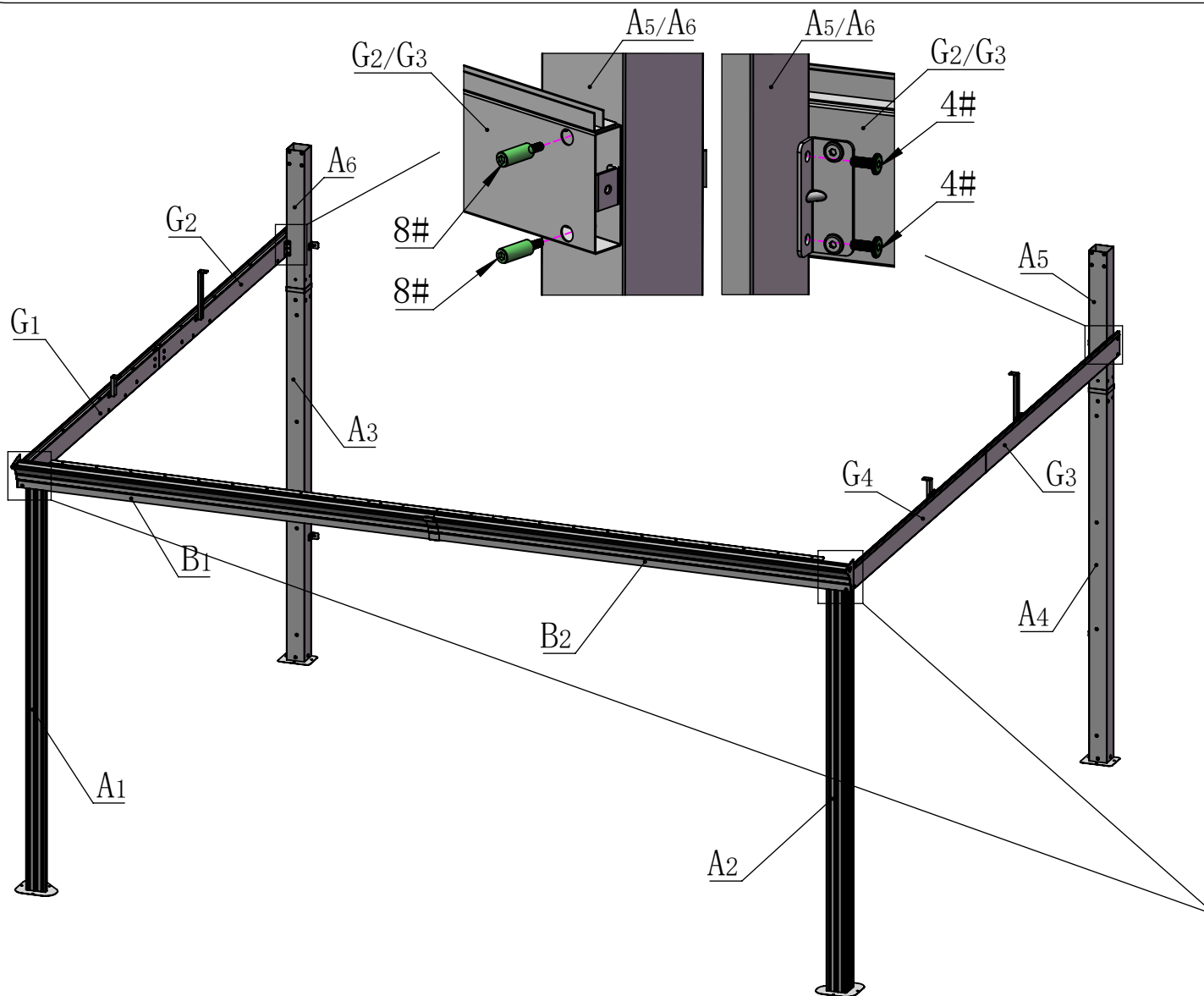
6X

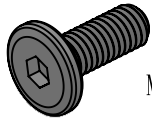
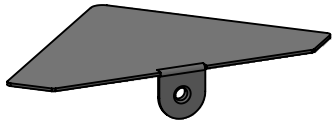


S4

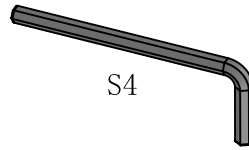
24#

1X





M6*16



S4

Q

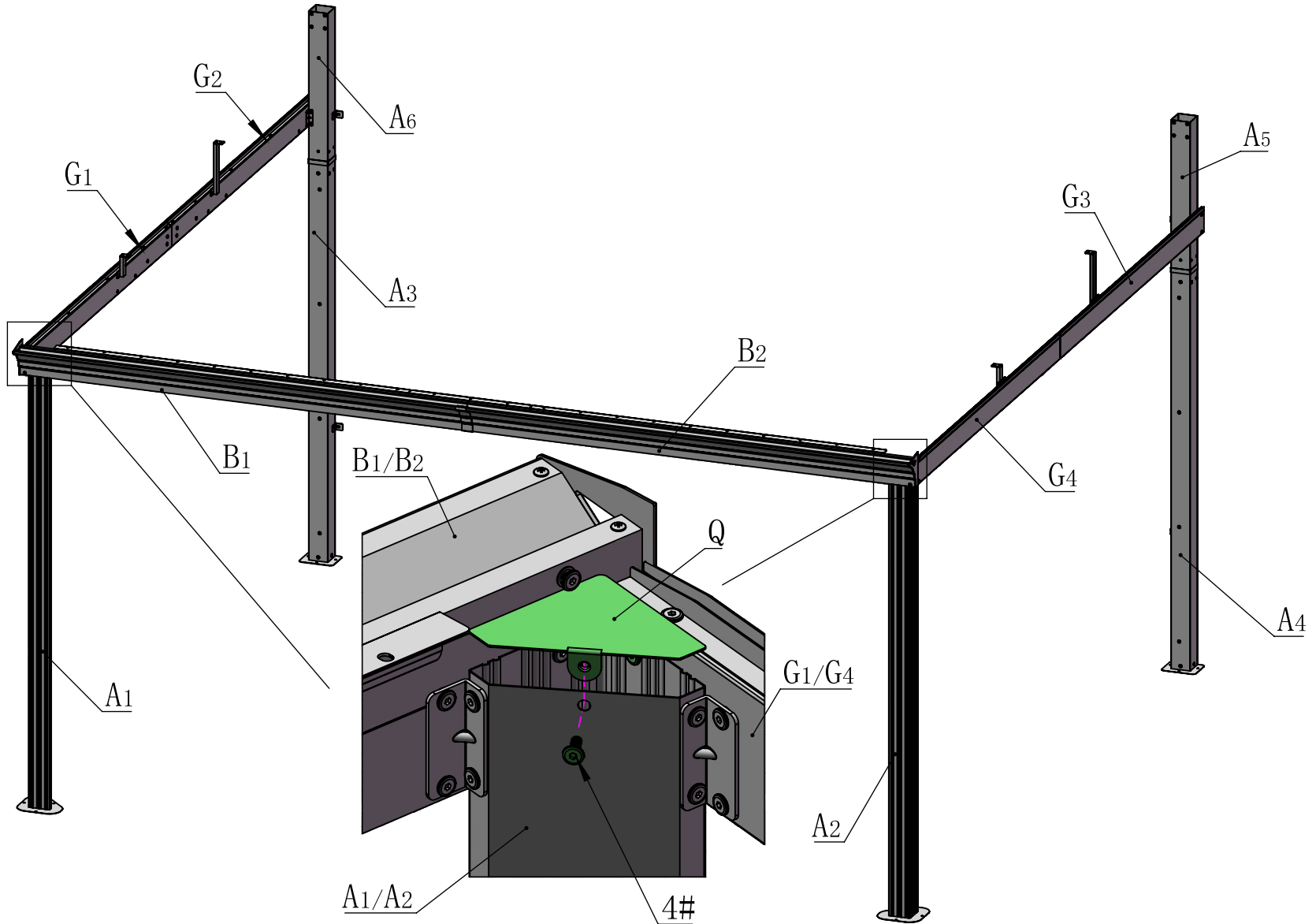
2X

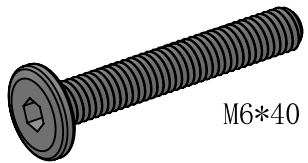
4#

2X

24#

1X

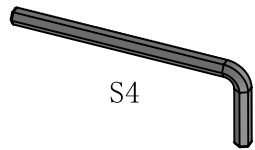




M6*40

6#

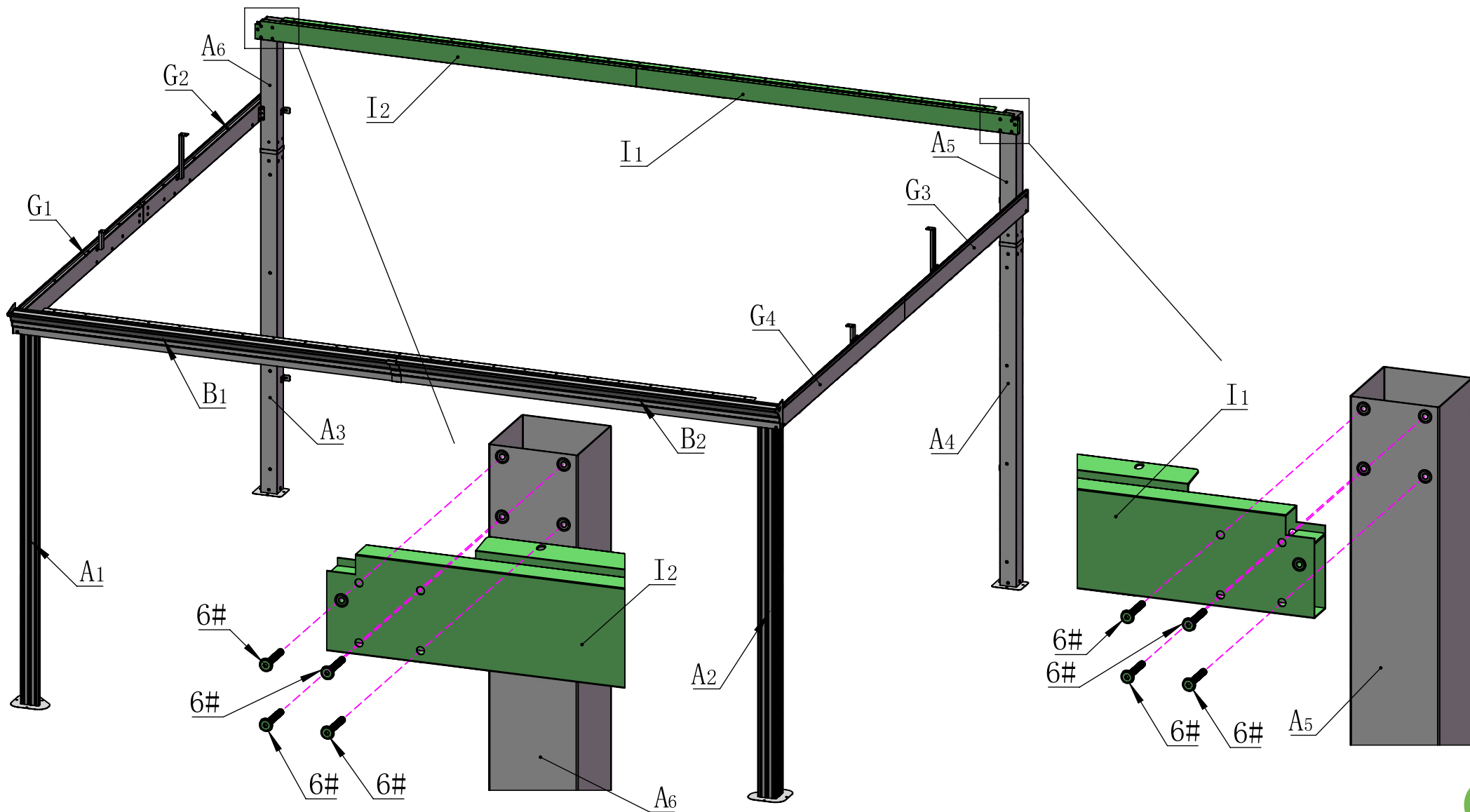
8X



S4

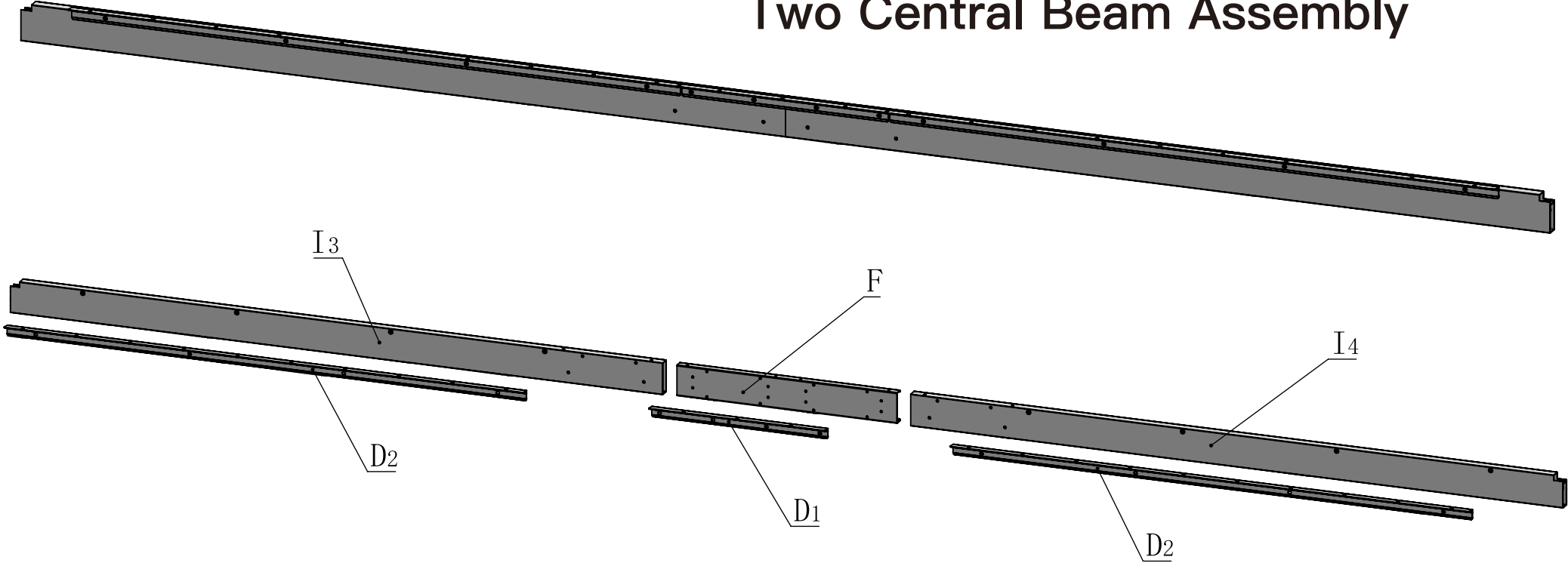
24#

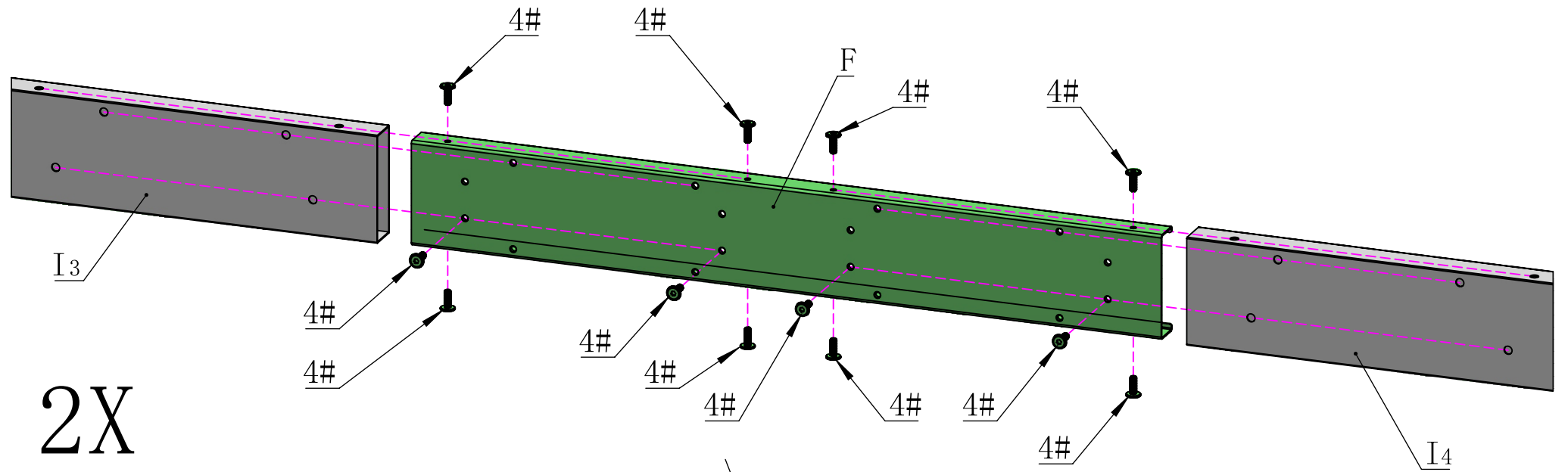
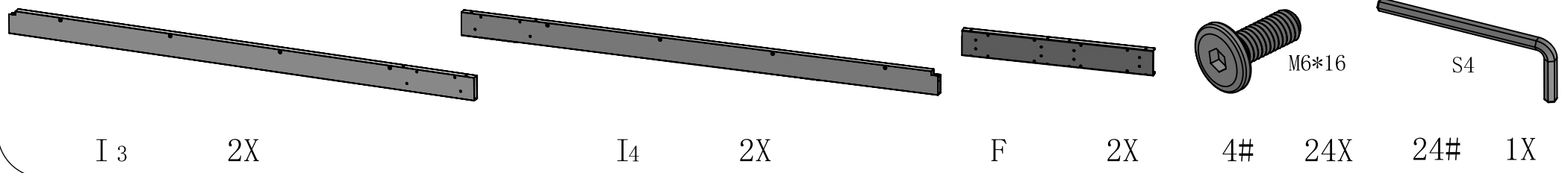
1X



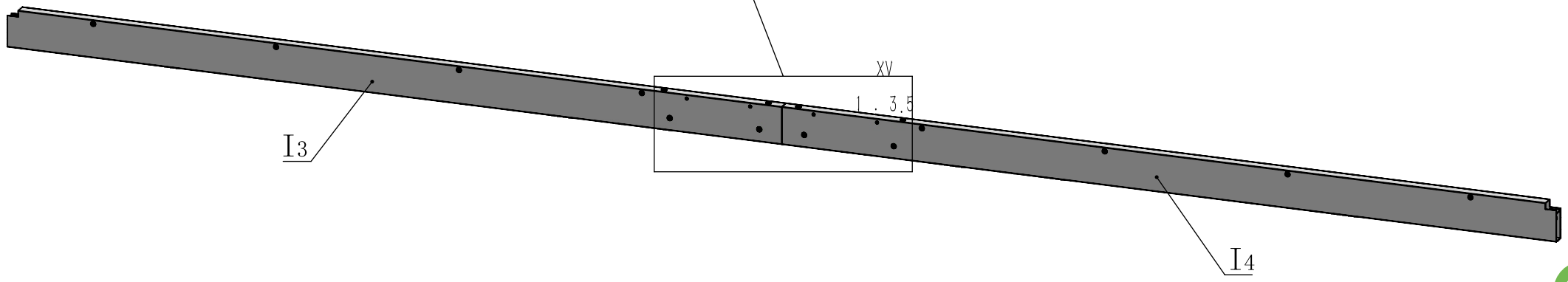
2X

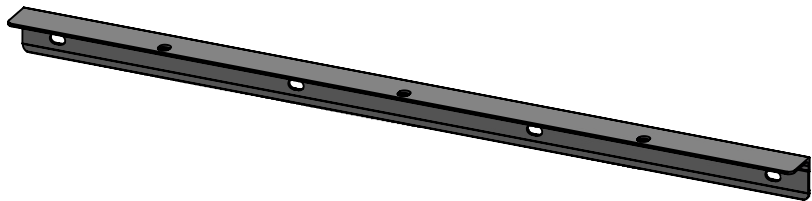
Two Central Beam Assembly



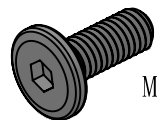


2X



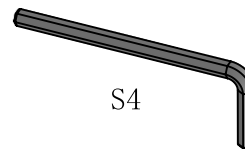


D1 2X



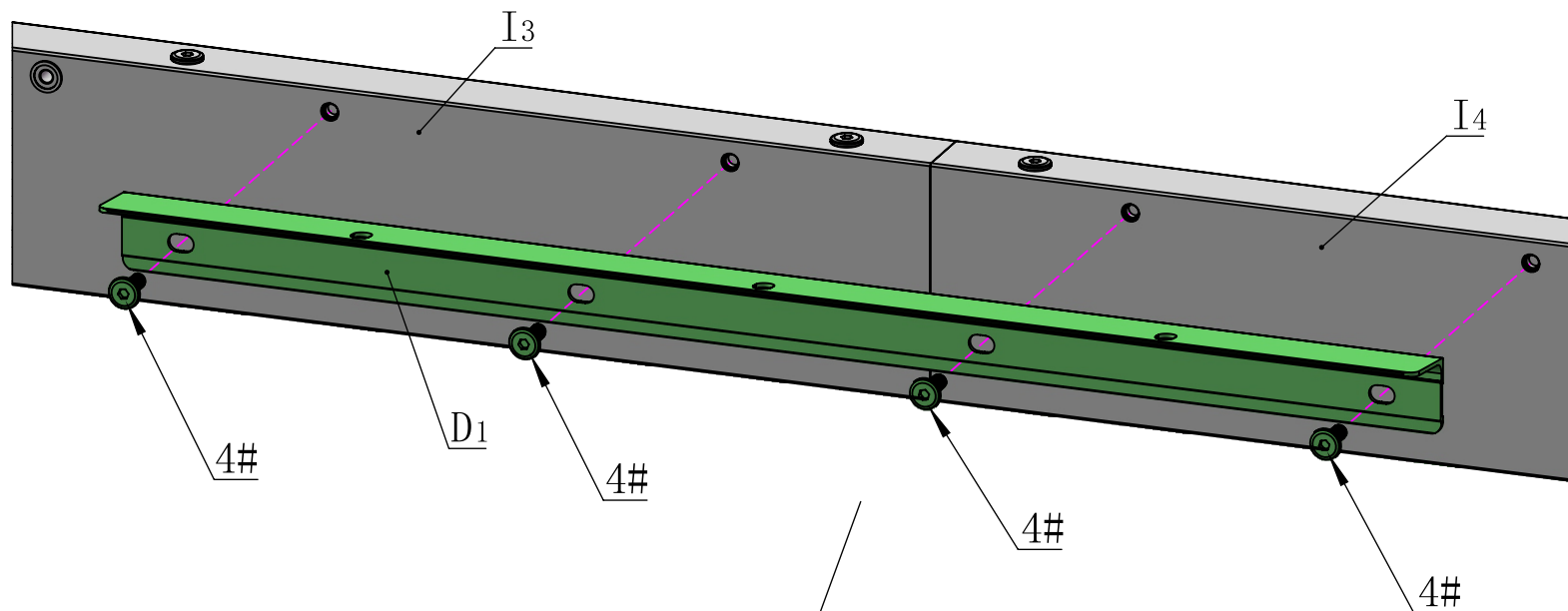
M6*16

4# 8X

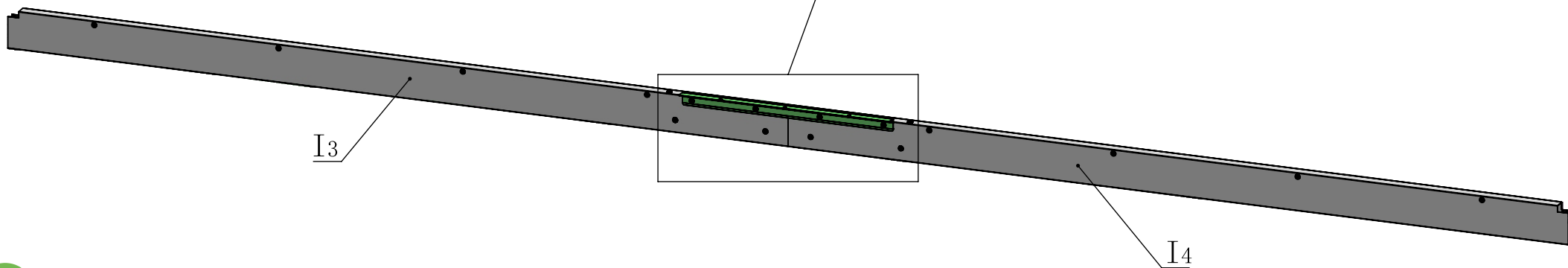


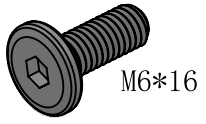
S4

24# 1X

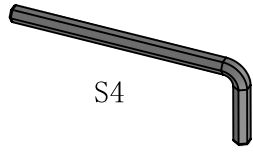


2X





M6*16



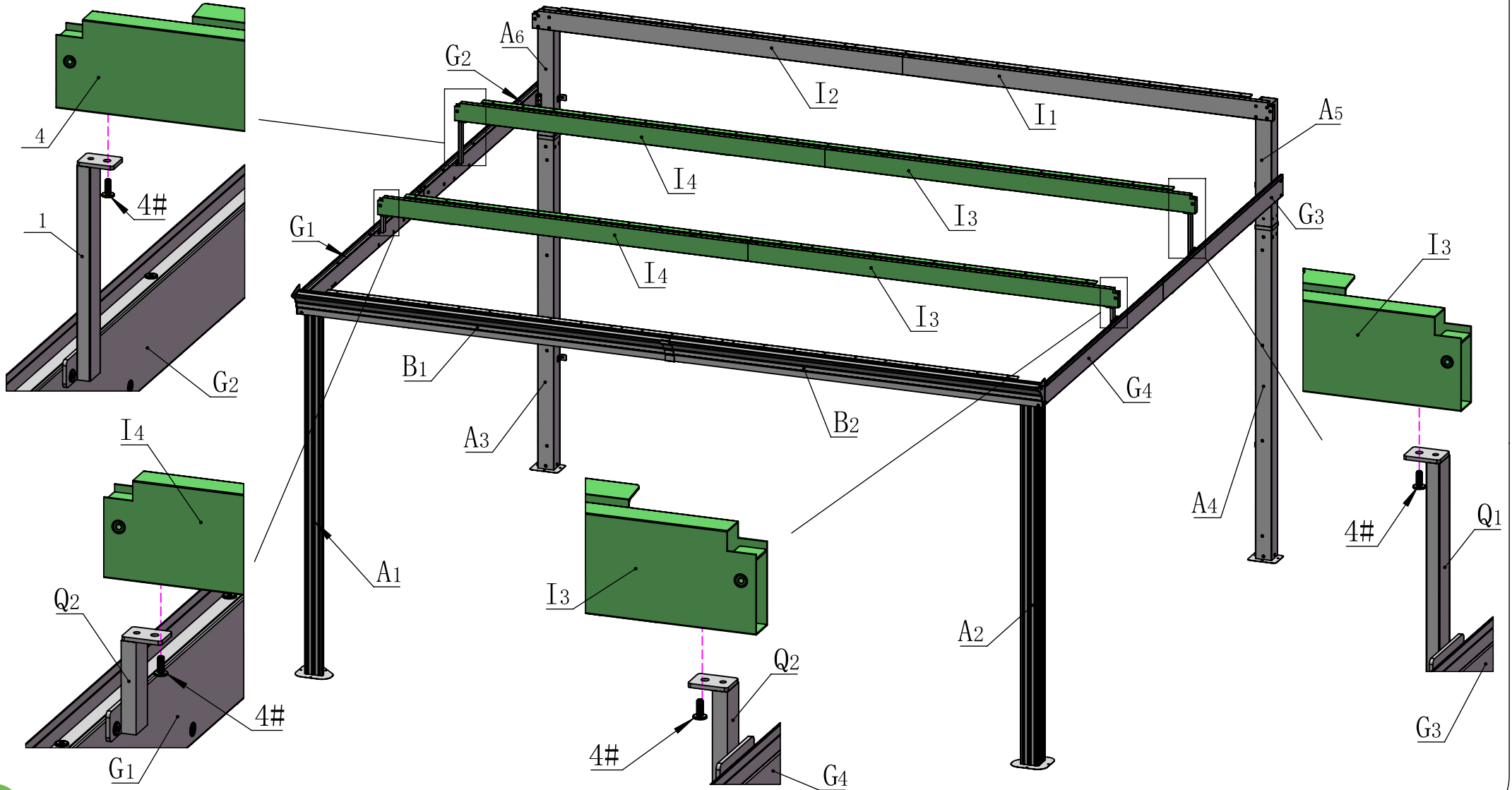
S4

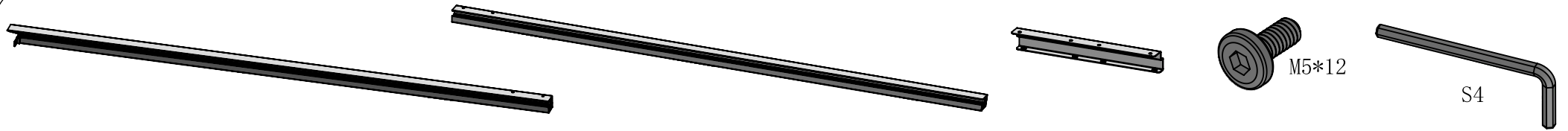
4#

4X

24#

1X





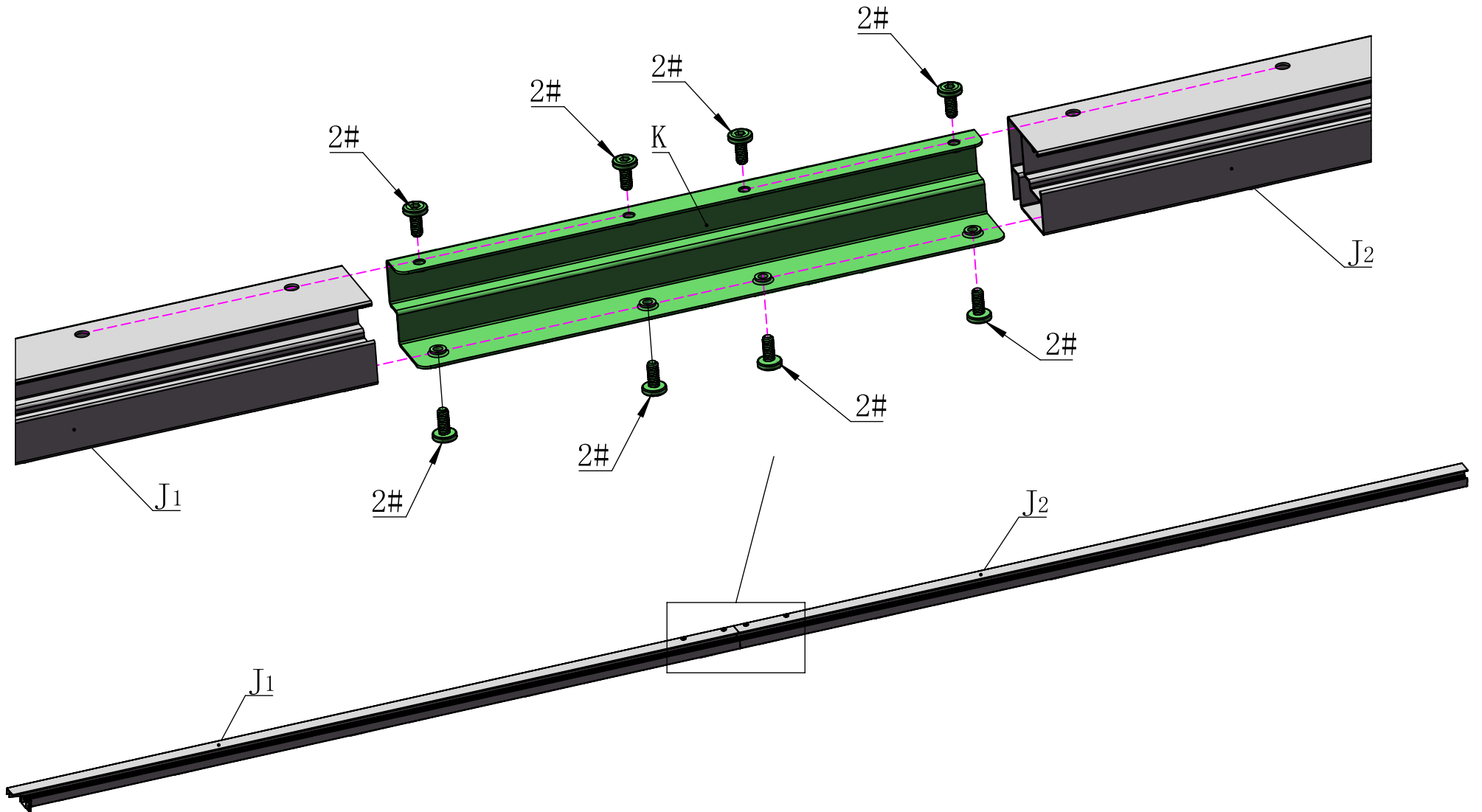
J1 1X

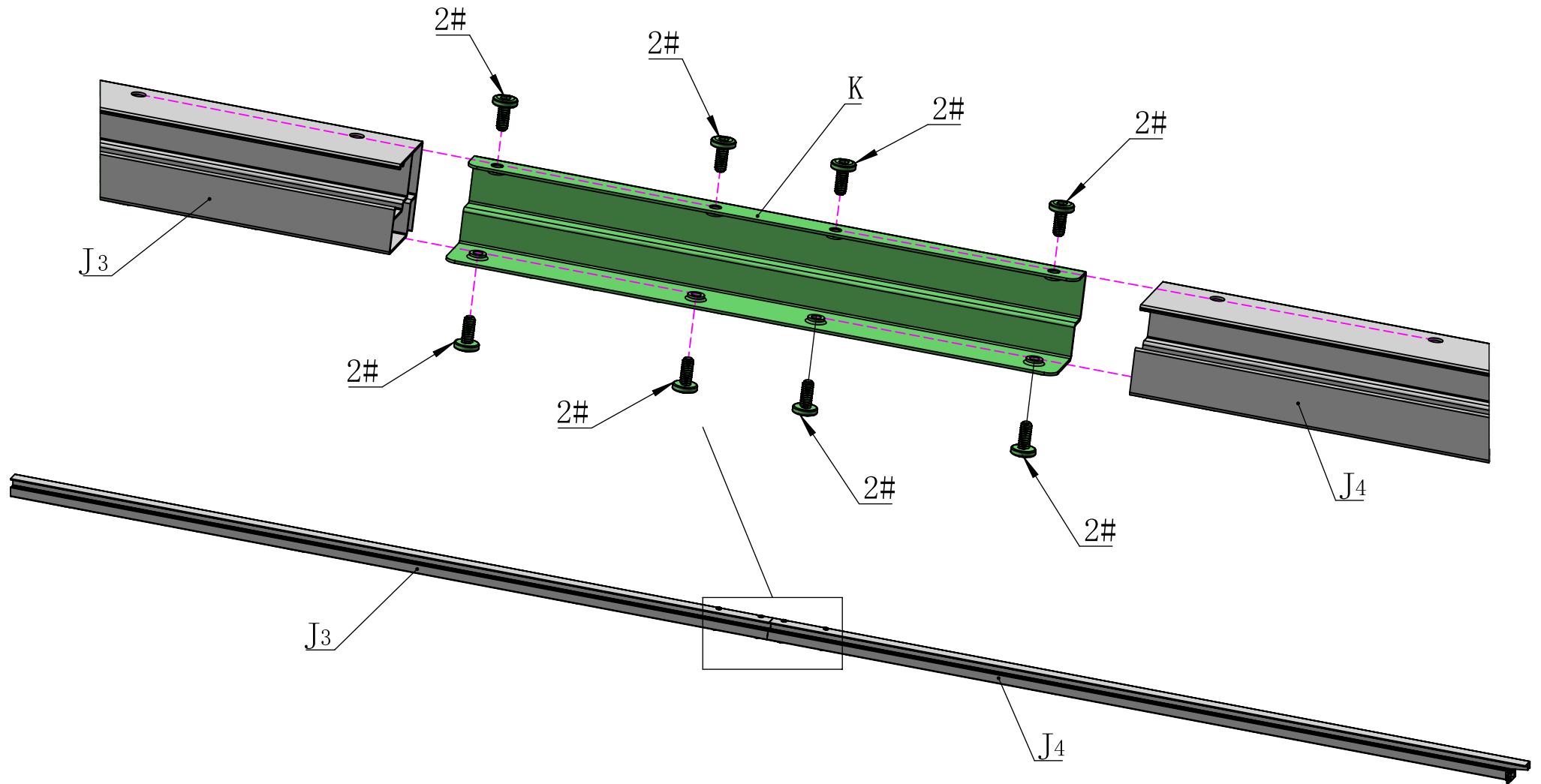
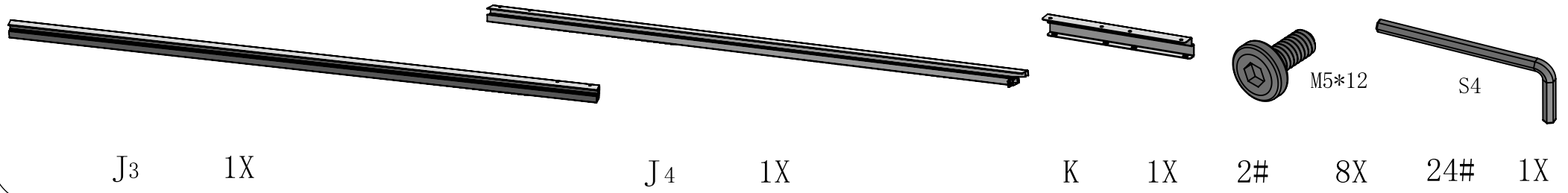
J2 1X

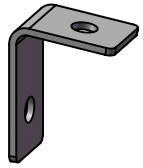
K 1X

M5*12 2#

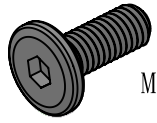
S4 8X 24# 1X



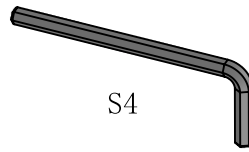




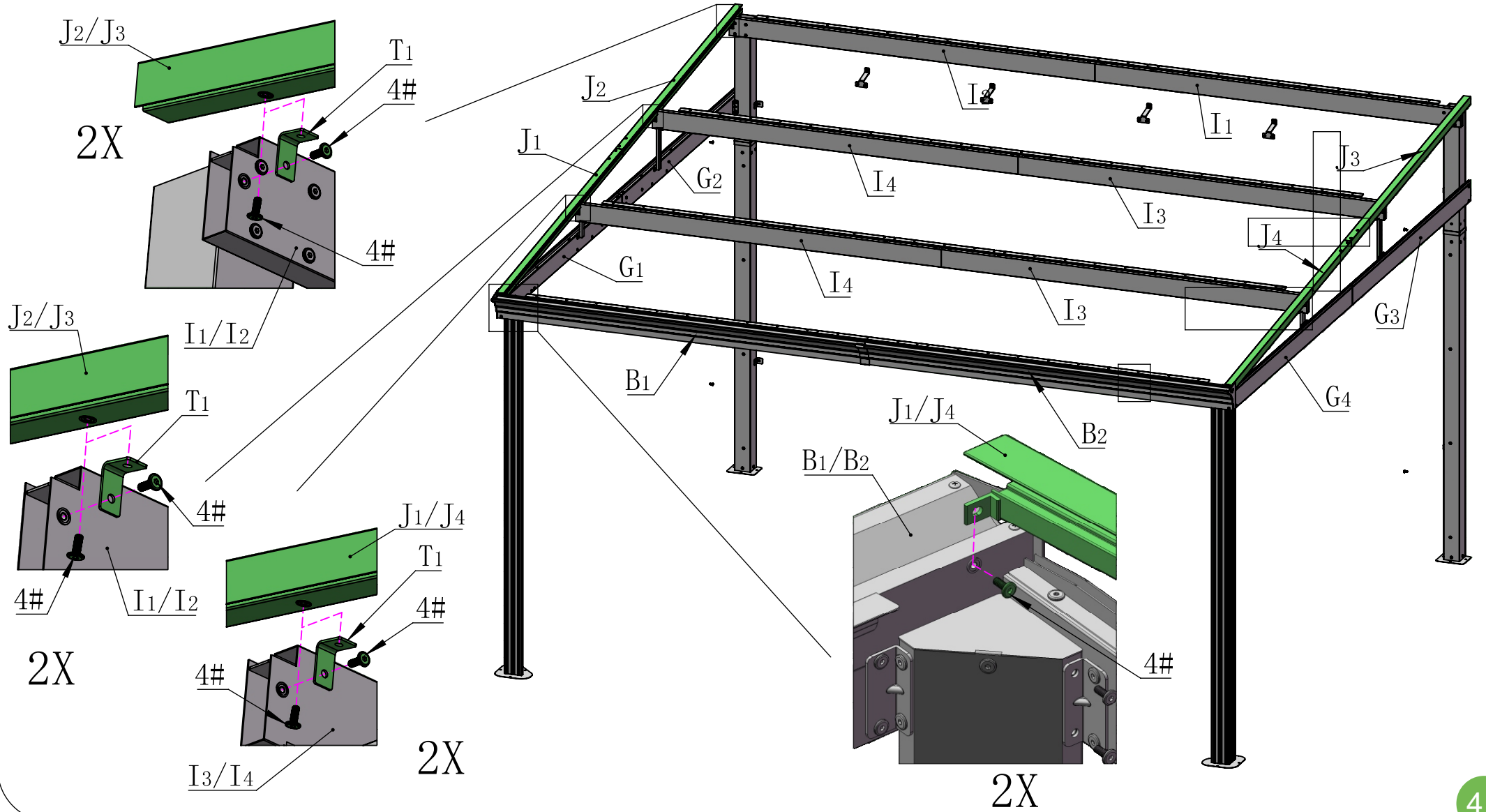
T1 6X

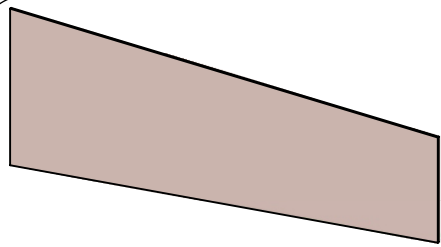


M6*16
4# 14X

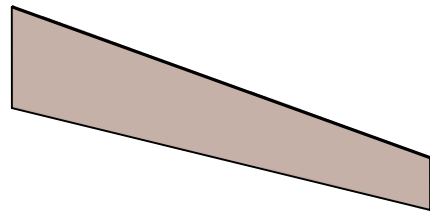


S4
24# 1X

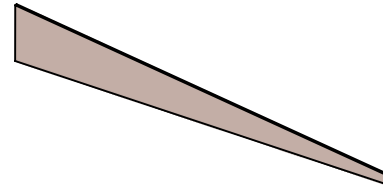




V1 1X



V3 1X



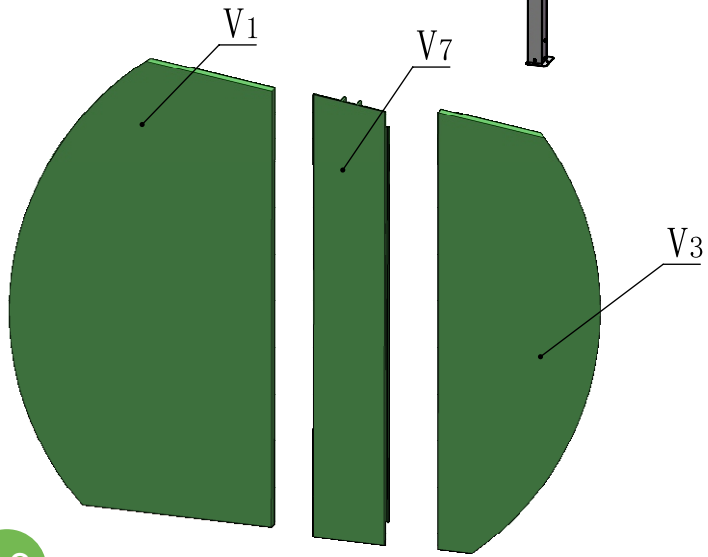
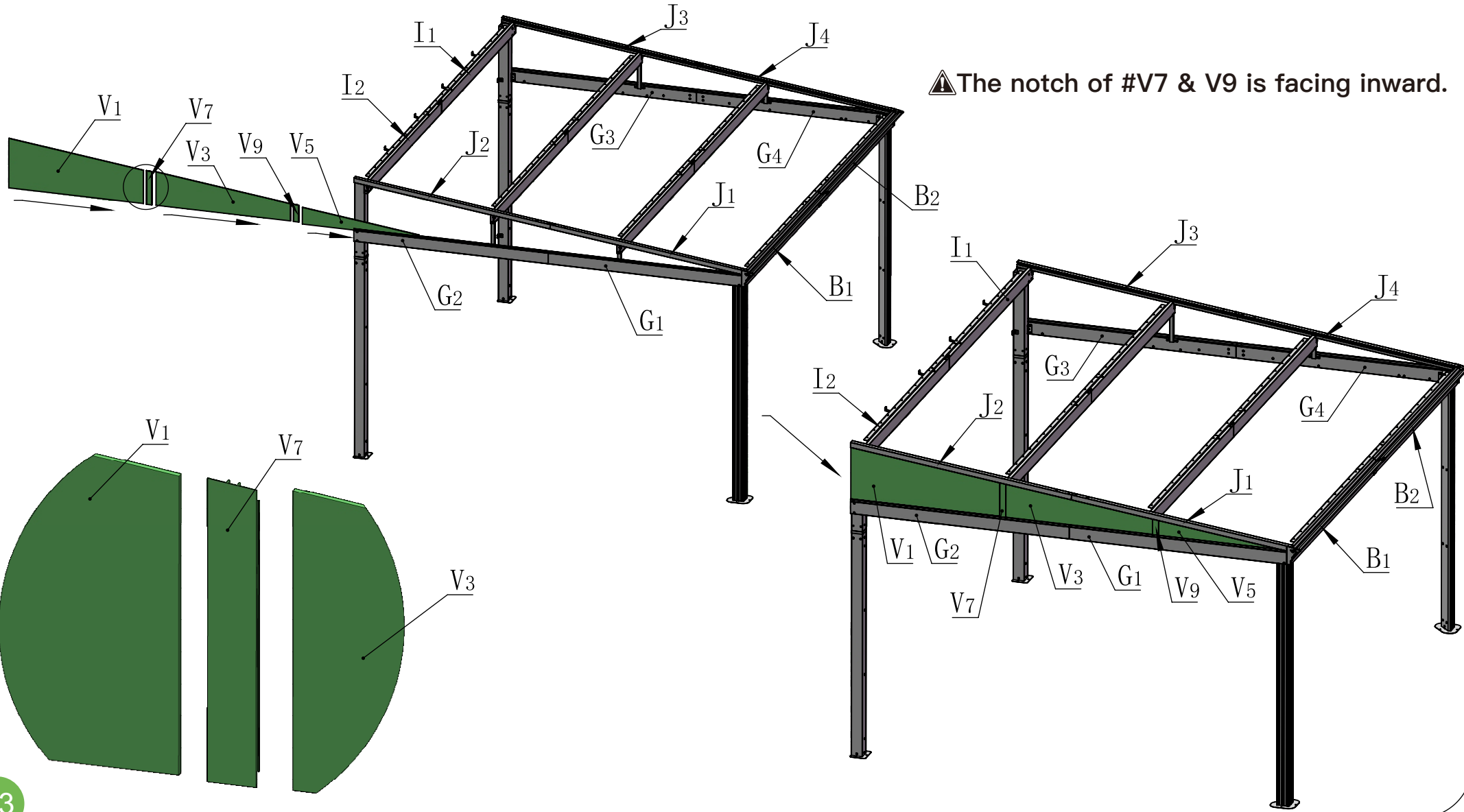
V5 1X

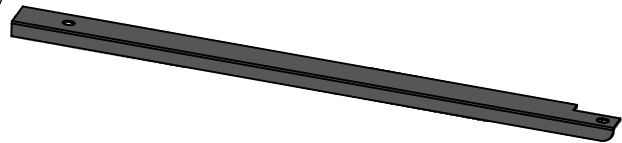


V7 1X

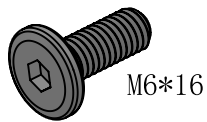


V9 1X

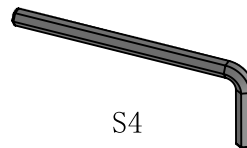




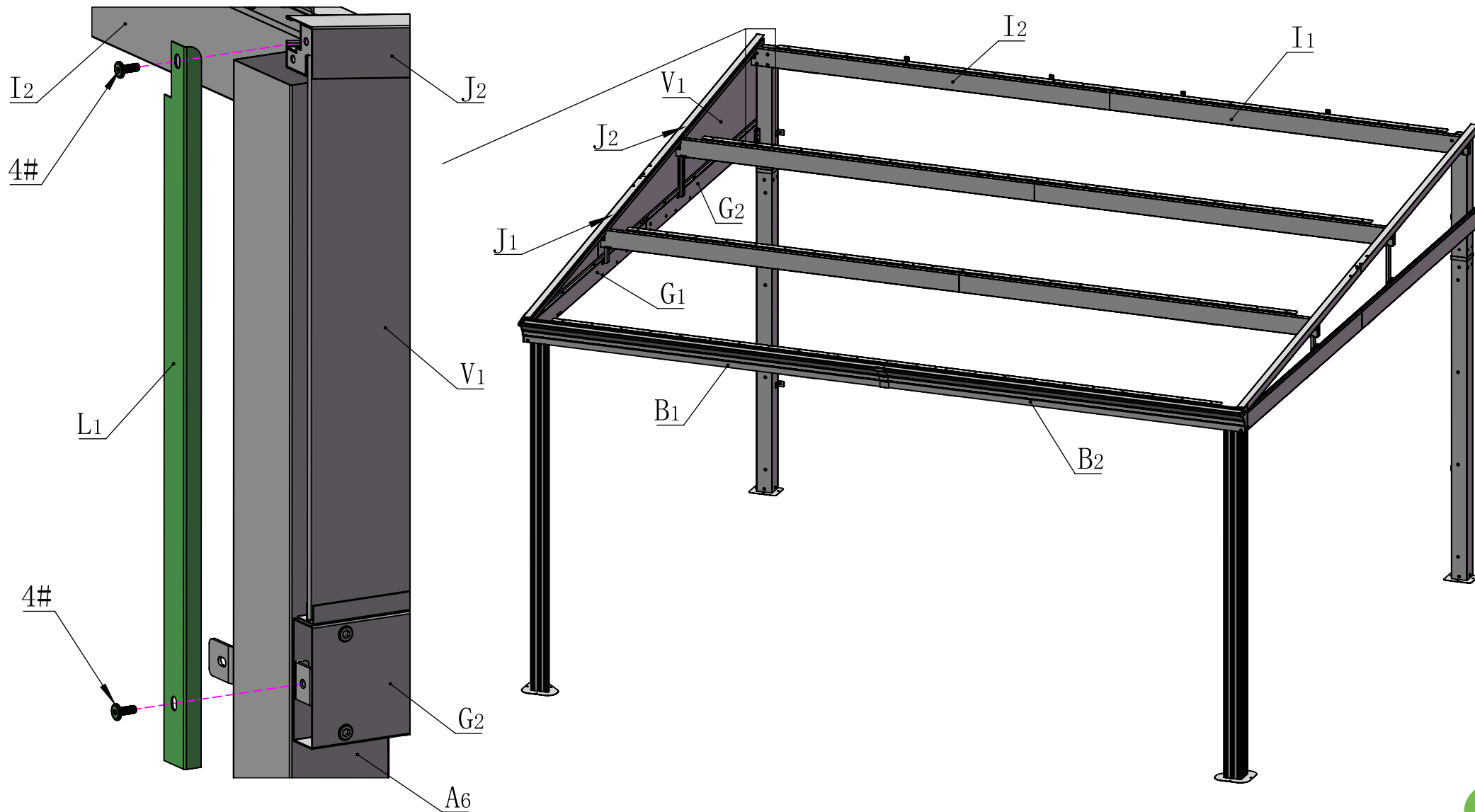
L1 1X

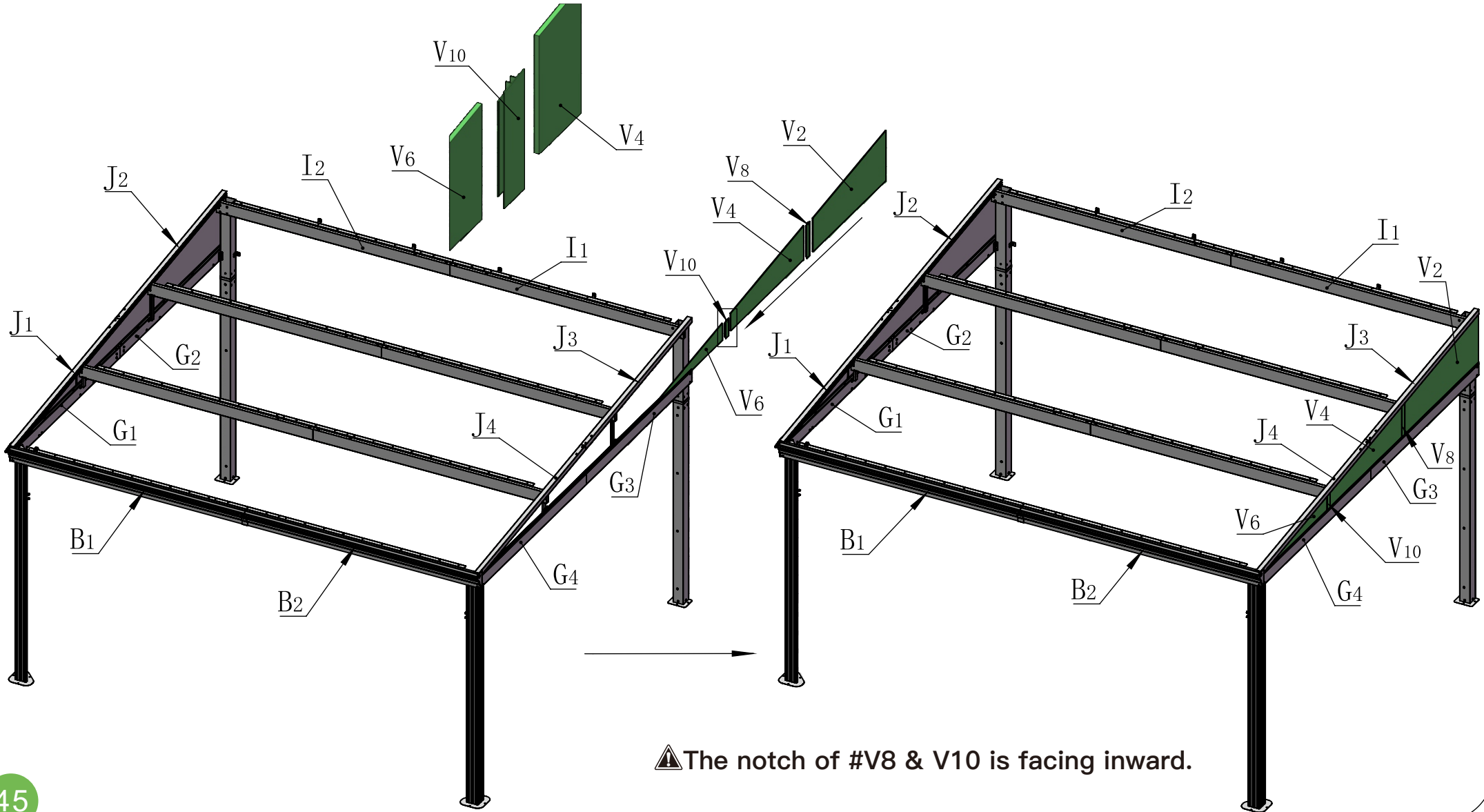
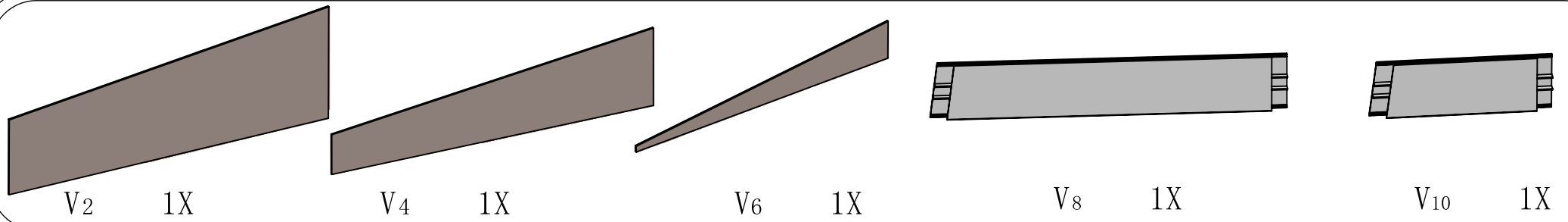


M6*16
4# 2X

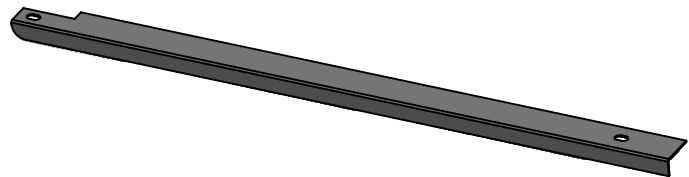


S4
24# 1X

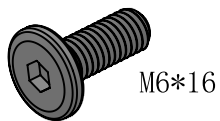




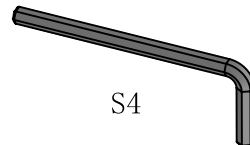
⚠ The notch of #V8 & V10 is facing inward.



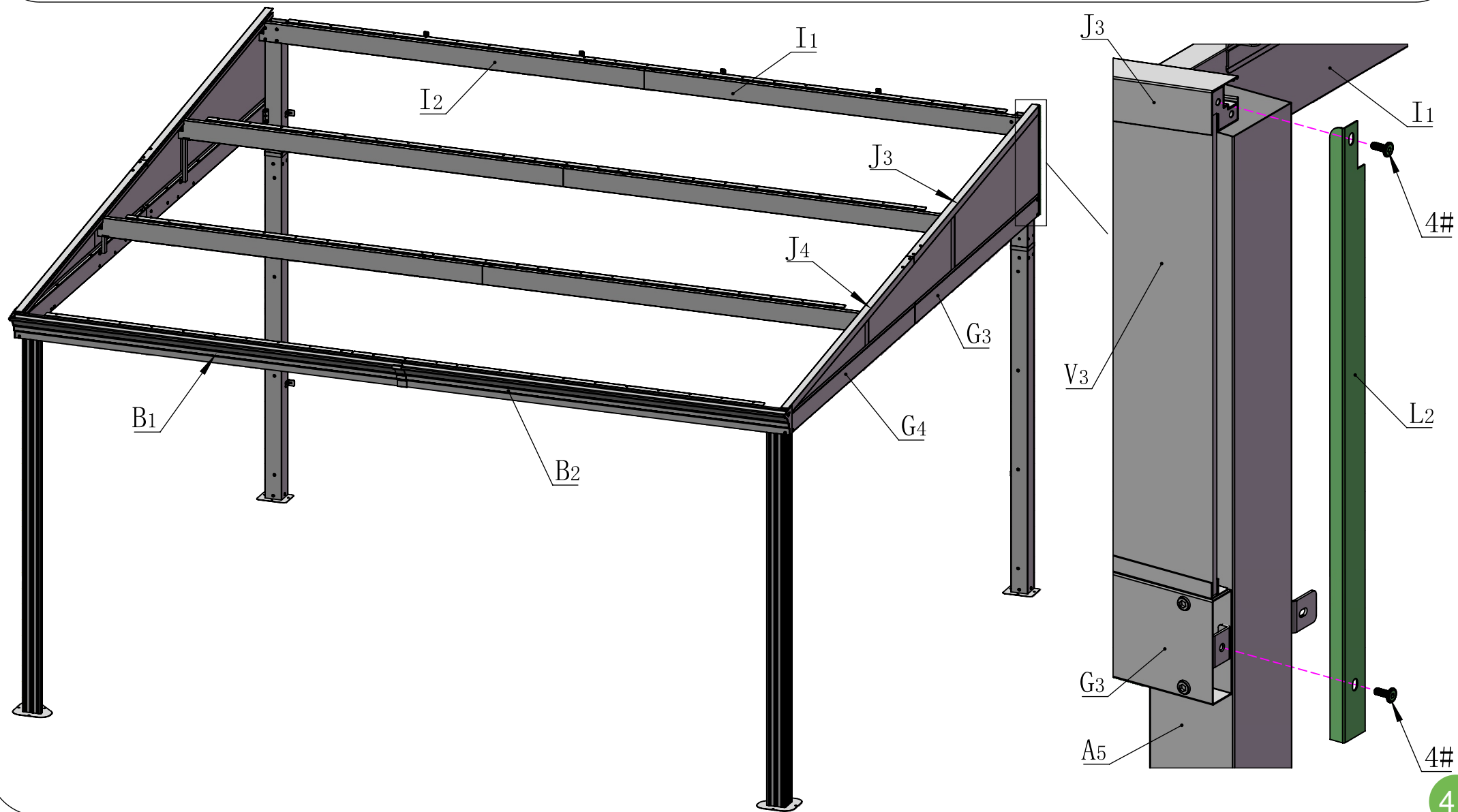
L2 1X

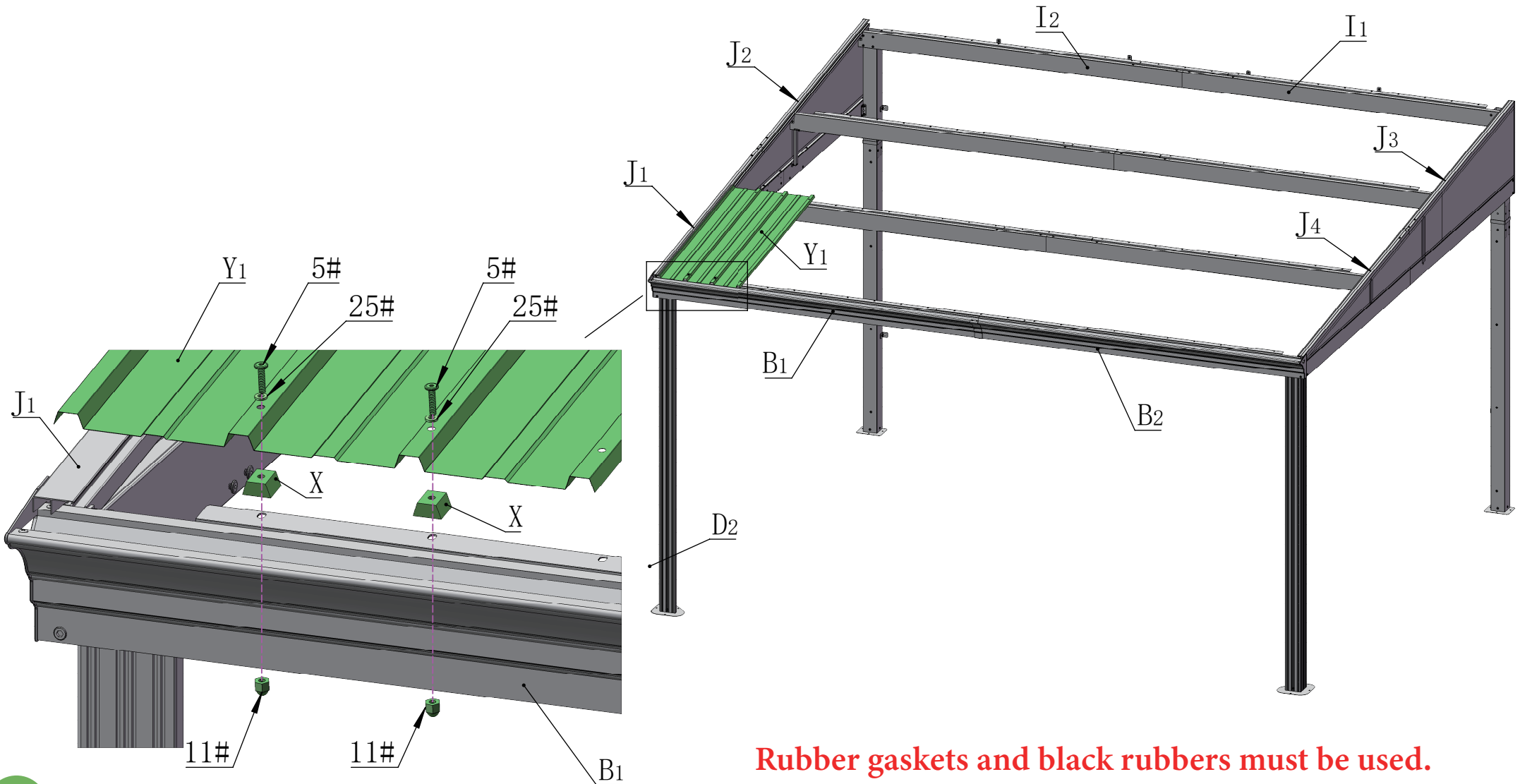
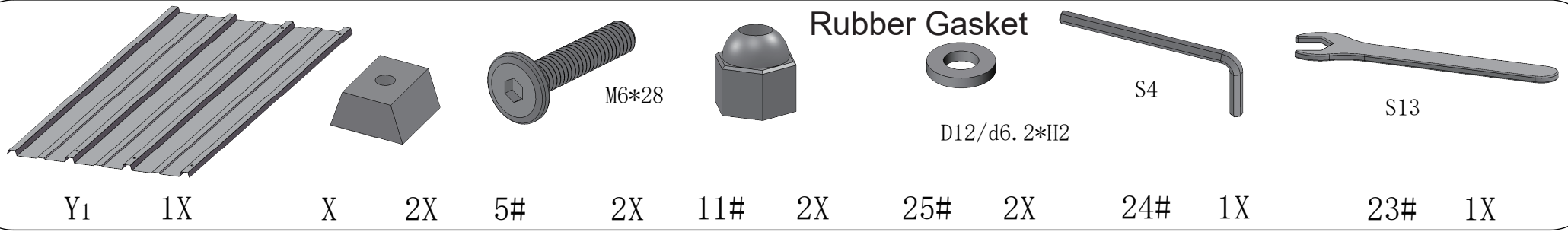


M6*16
4# 2X

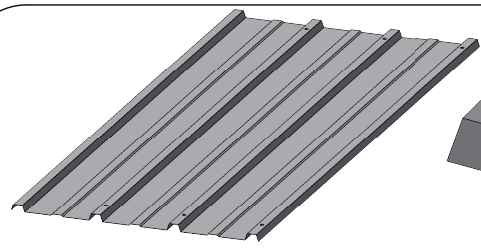


S4
24# 1X

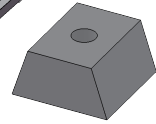




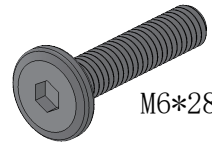
Rubber gaskets and black rubbers must be used.



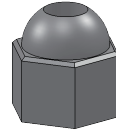
Y1 1X



X 3X

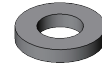


5# 3X



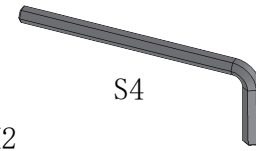
11# 3X

Rubber Gasket



D12/d6. 2*H2

25# 3X



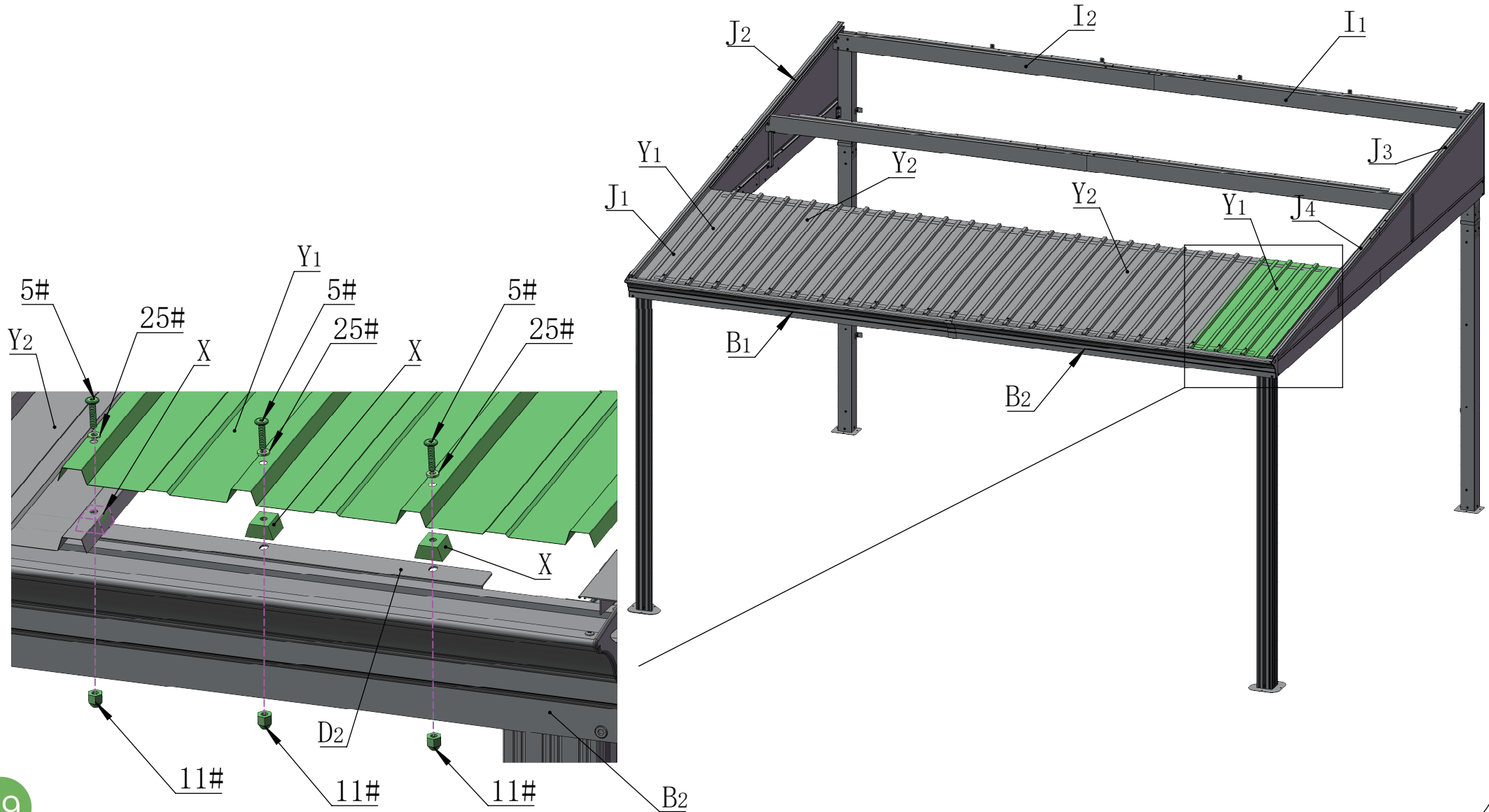
S4

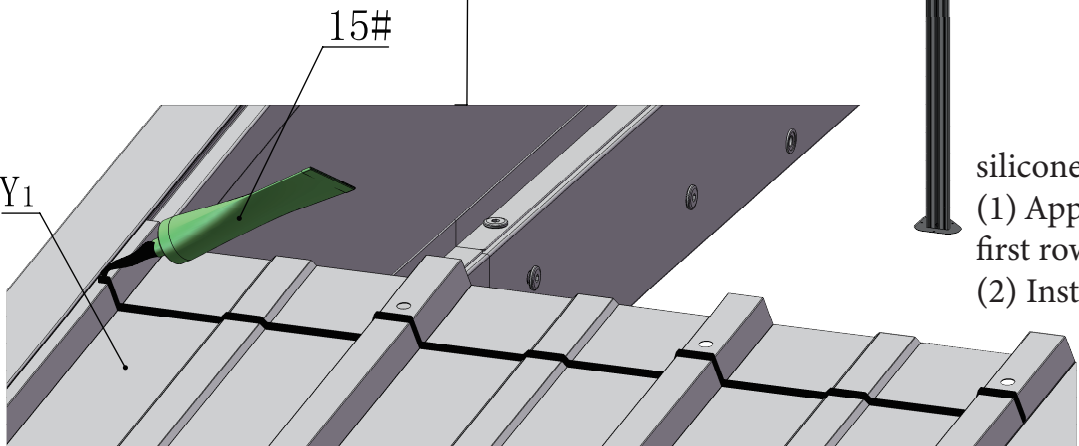
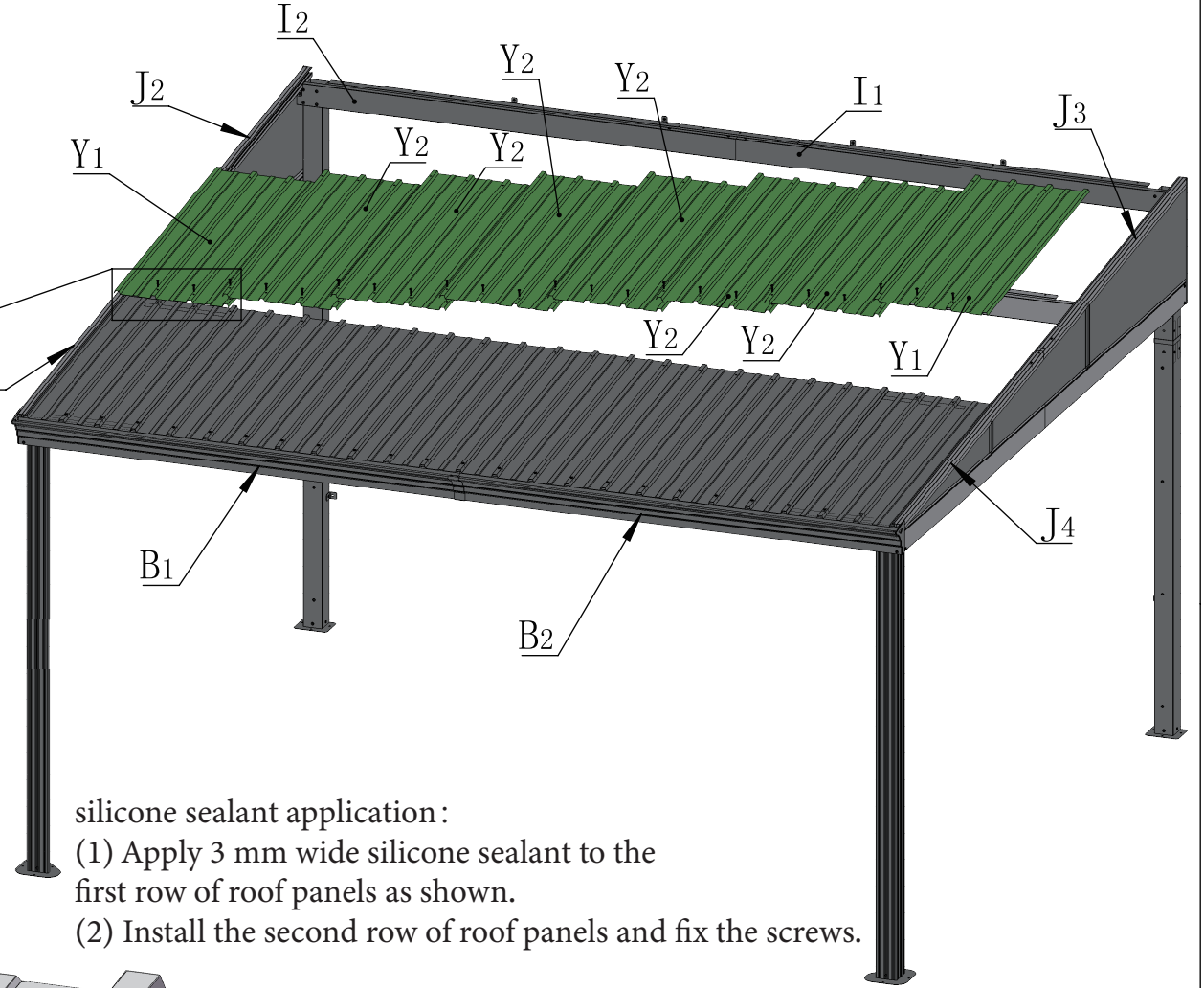
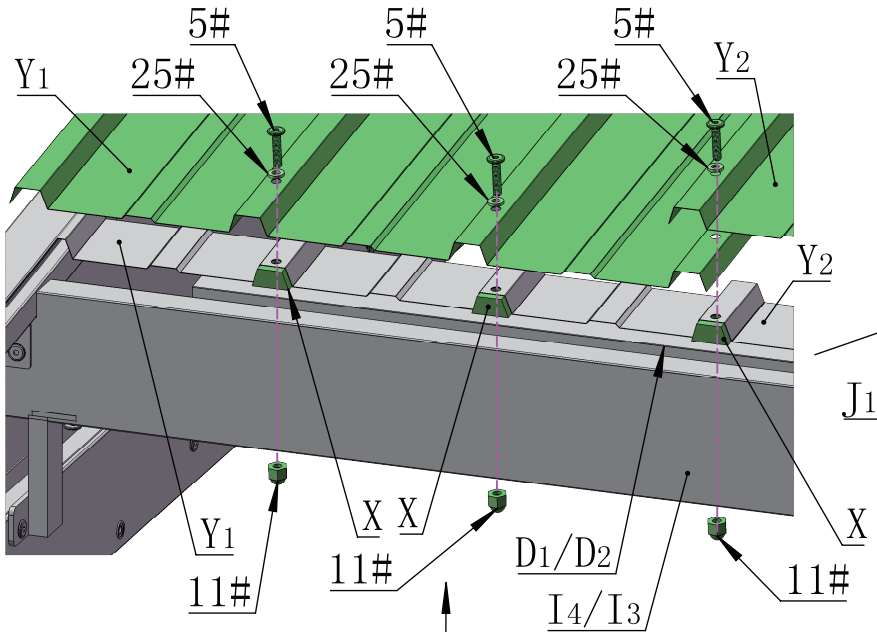
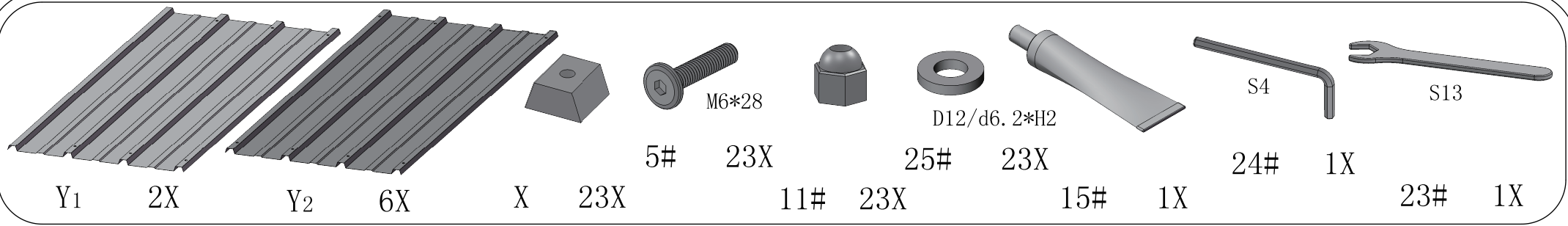
24# 1X



S13

23# 1X





silicone sealant application:
 (1) Apply 3 mm wide silicone sealant to the first row of roof panels as shown.
 (2) Install the second row of roof panels and fix the screws.

