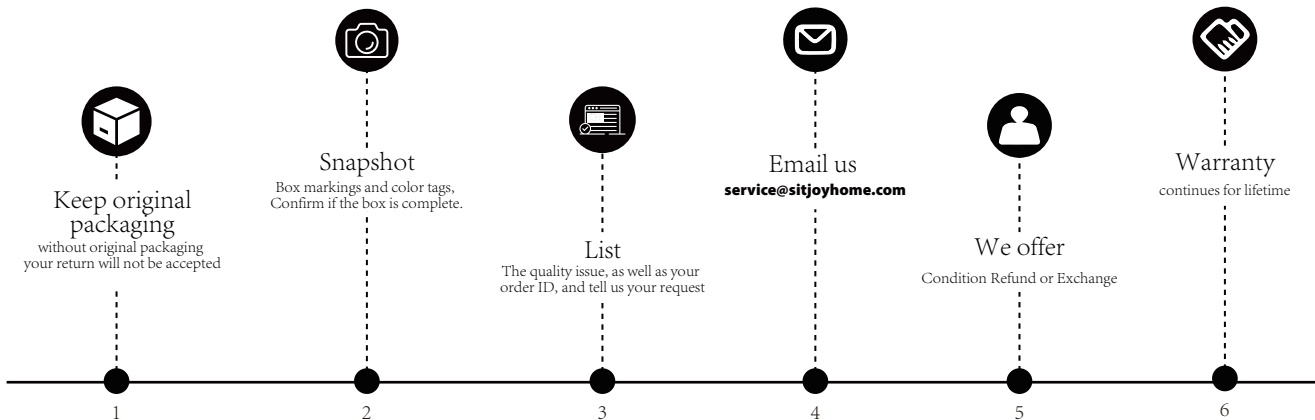


SITJOY

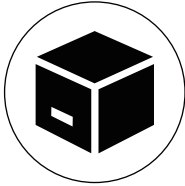
Smart Living, Comfort Sitting

The **Quickest** Refund and Exchange Progress By SITJOY®



Return Policy

We maintain a 30-day return policy, allowing you to return any products purchased on this website within the time frame. Please contact us within 30 days after receiving the product(s), and ensure that the product(s) are returned to us without undue delays.



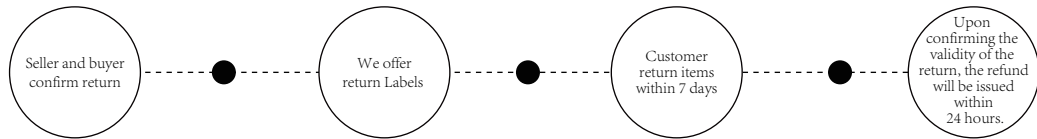
Kindly ensure that the returned products are in their original condition when sending them back to us to prevent any possibility of rejection by the warehouse.



When the product is not defective, and the reason for return is based on personal subjective factors such as a change of mind or a sudden dislike, the responsibility for the shipping cost will be borne by the customer.

Customer service: service@sitjoyhome.com

RETURN/DAMAGE CLAIM Progress



Please attention

- 1) Avoid contact with hot objects, such as boiling water and electric irons, to prevent deformation and damage.
- 2) To avoid scratches, such as knives and scissors, prevent them from getting cut.
- 3) Avoid sun light Shining It directly so as to prevent cover layer from changing color and aging earlier.
- 4) If you accidentally spill coffee on the sofa, Please do not bleach, wipping the surface of the artificial leather fabric sofa with the mixture of white vinegar and baking soda are recommend , using a dry cloth to wipe off the moisture on the surface .
- 5) Please note that the artificial leather sofa is not machine washable, as is a kind of nano sealing glue technology.
- 6) If the sofa is smelling, please try to air it 24-48 hours and the smell will give away.
- 7) To avoid pilling or deformation of the fabric, do not use violent scrubbing or brushes.
- 8) Please use the specified detergent to wipe and avoid using bleach or bleach containing chlorine prevent fading and aging of the fabric.

Warm tips : Material certified according to OEKO-TEX®STANDARD 100 and ECO PASSPORT. Every Parts of the Fabrics has been tested for harmless for health.

Customer service: support@easemoose.com



 Get Help, Instantly!

Just scan the QR code on your service card for free, expert assistance. It's that easy!

Quick Response Guarantee - Your Message, Our Priority Within 24 Hours!

ASSEMBLY INSTRUCTION

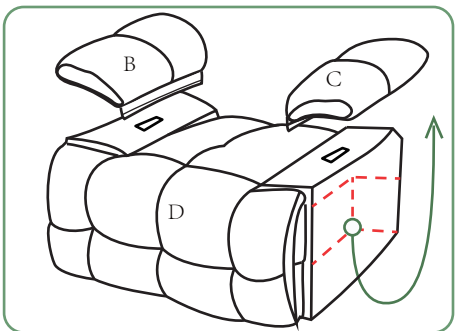
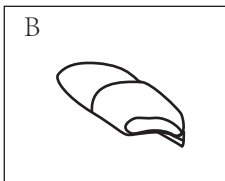
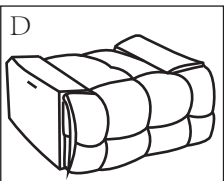
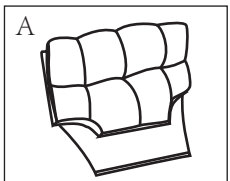
Please check the lists before installation

PACKING LIST:

A:RECLINER BACKREST: 1

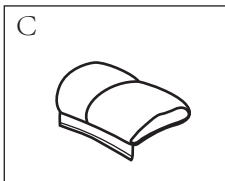
D:RECLINER SEAT:1 (with 2 Armrest inside)

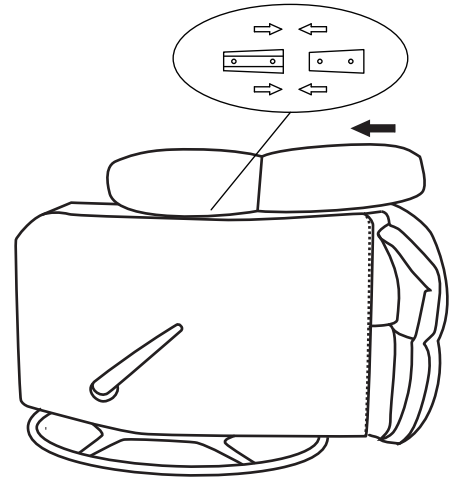
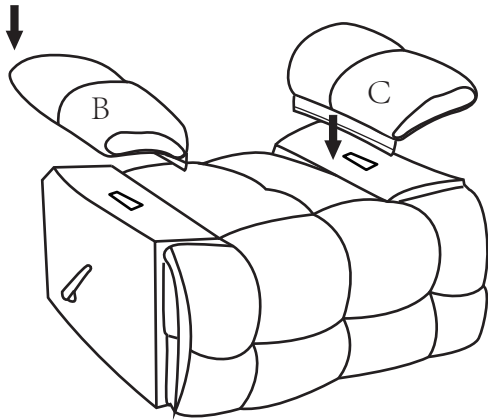
B:RIGHT ARMREST:1



(Take out the Armrests **C** from the Recliner Seat **D**)

C:LEFT ARMREST : 1

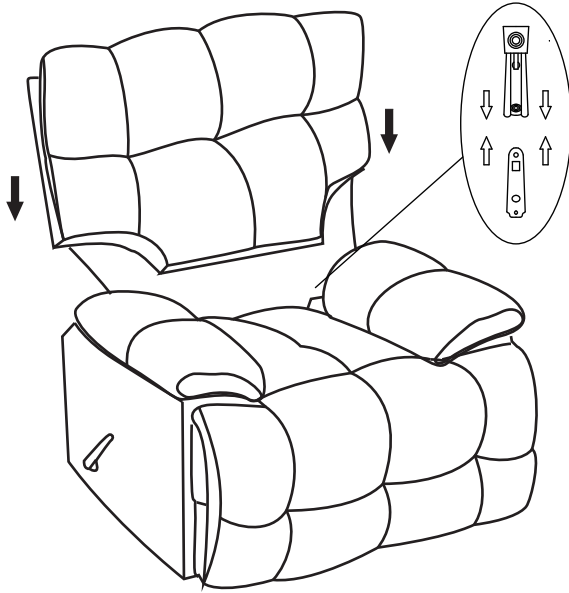




Assemble Armrest Cushion Connect the power cord

1: Align the snaps of the armrest cushion with the armrest frame, and push the cushion from the front to the back.

2: Attach the Velcro of the armrest cushion to the Seat Frame.



Assemble The Backrest

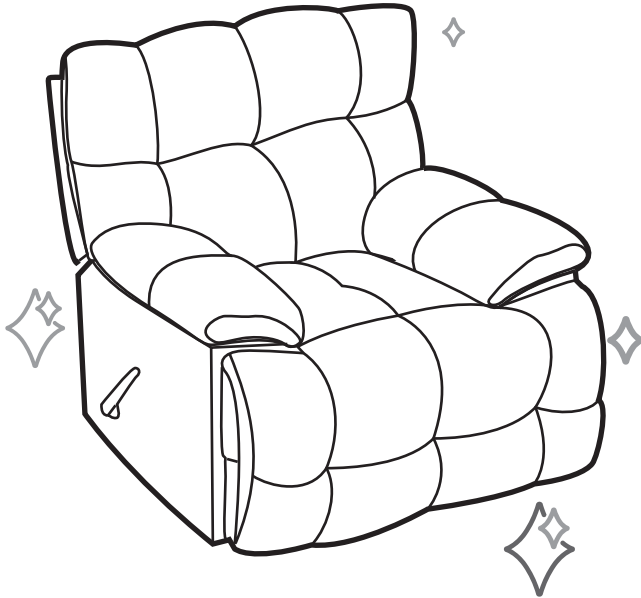
Align the tabs on the backrest with the tabs on the base, and then insert the backrest downward. When you hear a click, the insertion is complete.

Please feel free to contact us at any time.

Customer service Email: service@sitjoyhome.com

Customer service TEI: +1 (320) 634-6546

“Ta-da!”



Arrange The Recliner

When the recliner is freshly unpacked, it may have some deformations due to compression. You can promote its shape recovery by patting and tapping it with your hands.



Your support means the world to us. Positive review not only helps us grow but also serves as an invaluable reference for other potential customers.