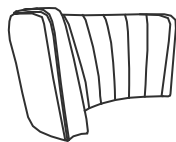
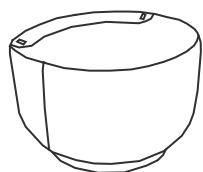


ASSEMBLY INSTRUCTION

A*1



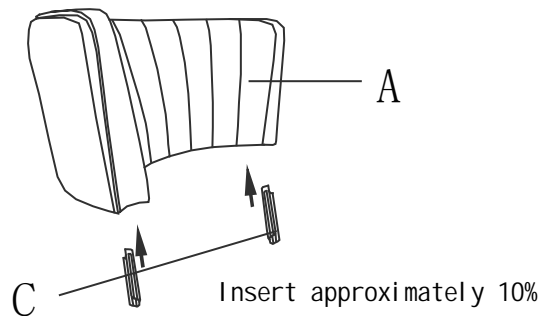
B*1



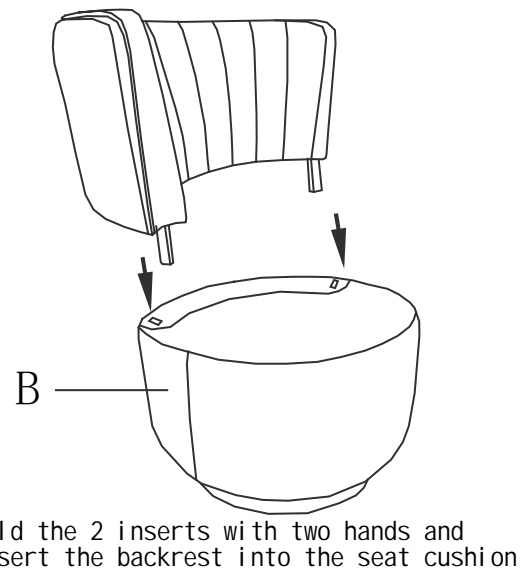
C*2



1



2



3

