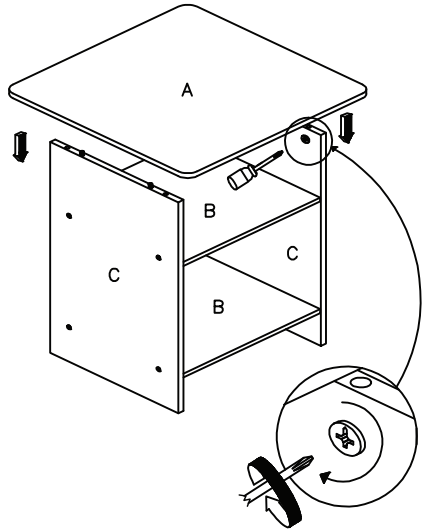


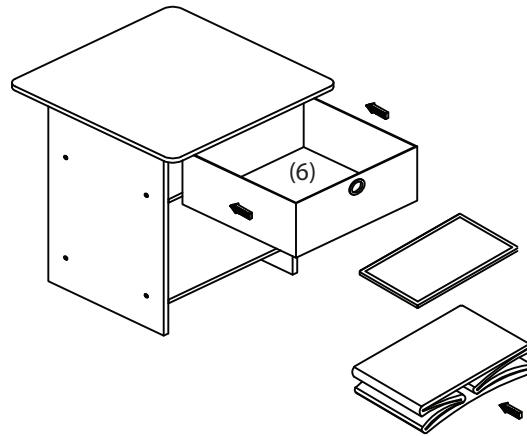
### STEP 5

Upright the unit.  
Attach Panel (A) to assembled unit as shown.  
Lock Mini Fix Cap (4) using screwdriver.

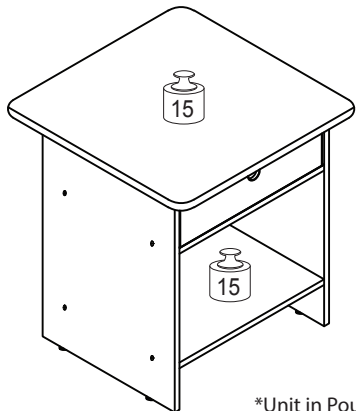


### STEP 6

Unfold Bin (6) and slide it into the completed unit.



### Recommended Maximum Weight



\*Unit in Pound(lbs)

### **WARNING:**

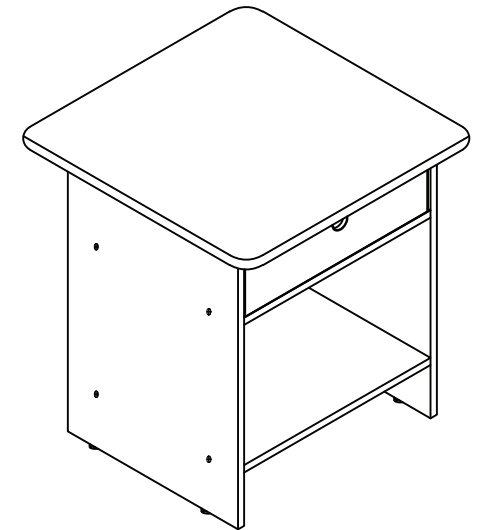
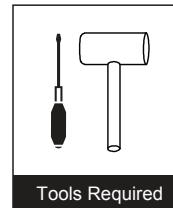
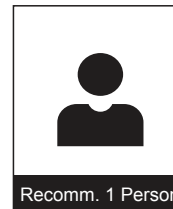
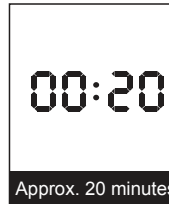
>This unit has been designed to support the maximum loads shown. Exceeding these load limits could cause sagging, instability, product collapse, and/or serious injury.

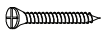





>DO NOT allow children to climb on unit.




>Put heavier items on lower shelves.

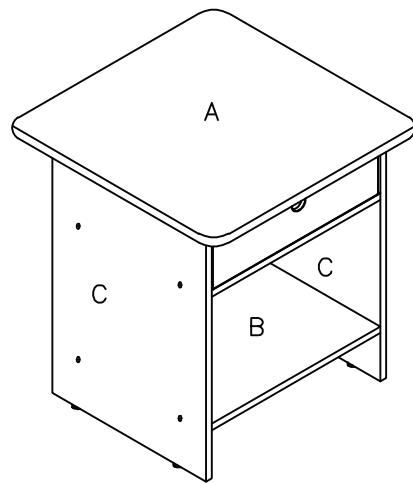
## **Assembly Instruction**

End Table/ Night Stand  
Storage Shelf with Bin Drawer



No	Hardware List	Qty
1	Chipboard Screw 	8pcs
2	Dowel 	4pcs
3	Nail Leg 	4pcs
4	Mini Fix Cap 	4pcs
5	Mini Fix Bolt 	4pcs
6	Non-Woven Bin 	1pc

No	Parts List	Qty
A	Top Panel 	1pc
B	Shelf Panel 	2pcs
C	Side Panel 	2pcs

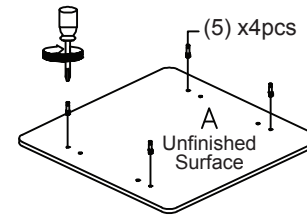


#### **USEFUL HINTS BEFORE YOU START:**

1. Read each step carefully before starting.
2. It is important that each step is performed in correct order to avoid difficulties.
3. Identify, sort and count the parts before assembly.
4. Assemble your furniture on packaging cardboard to prevent scratch or damage.
5. Clean the product with mild cleanser using soft damped cloth. Do not use harsh or abrasive cleanser.
6. Using incompatible hardware might cause damage to product.

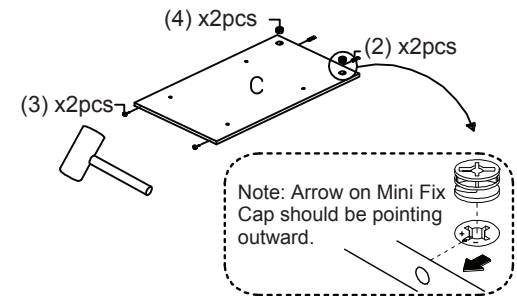
#### **STEP 1**

Install Mini Fix Bolt (5) on Panel (A) using screwdriver.



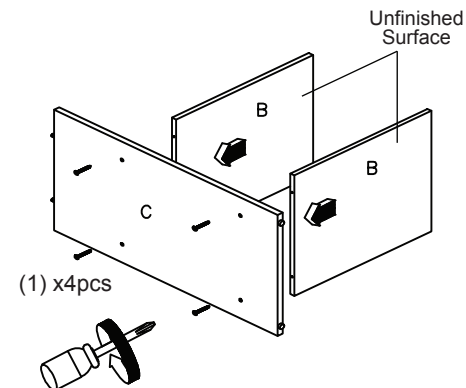
#### **STEP 2**

Install Mini Fix Cap (4), Dowel (2) and Nail Leg (3) to Panel (C) as shown.



#### **STEP 3**

Attach both Panel (B) to left side Panel (C) and tighten with Screw (1) using screwdriver.



#### **STEP 4**

Attach the right side Panel (C) to assemble unit as shown. Tighten with Screw (1) using screwdriver.

