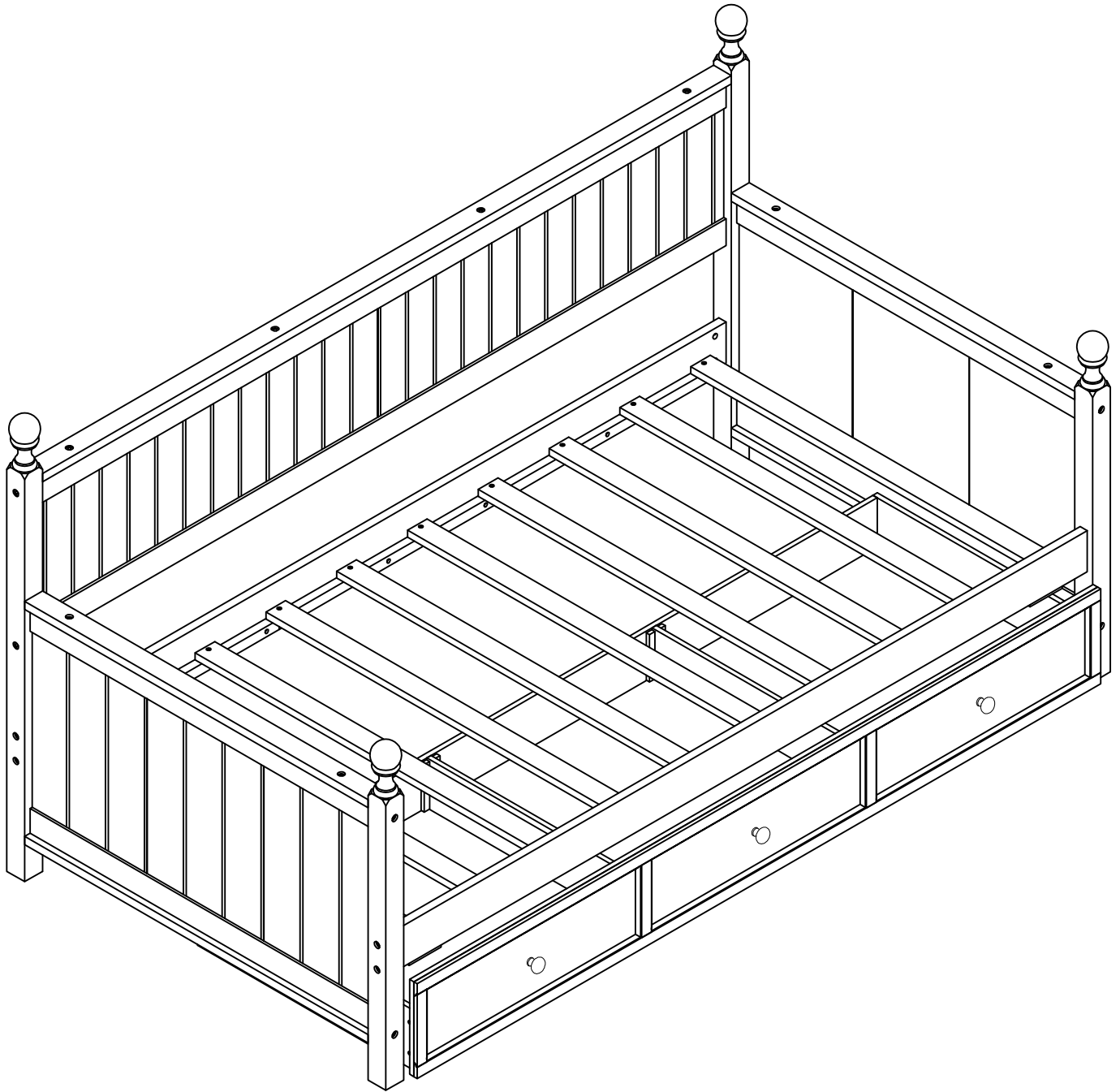
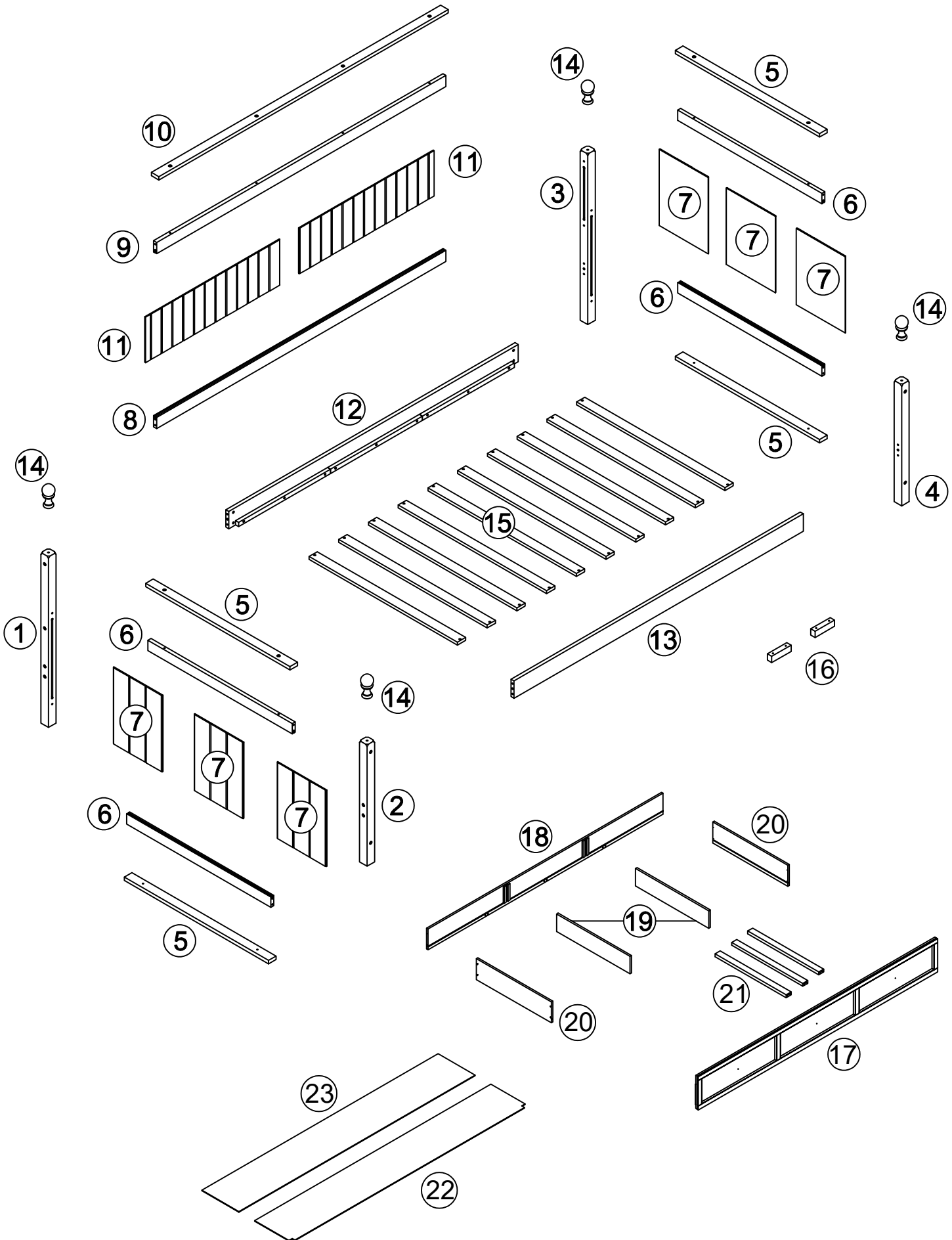


ASSEMBLY INSTRUCTIONS


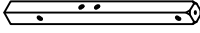

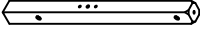
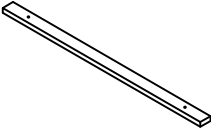
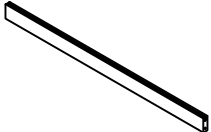
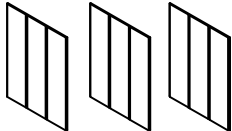

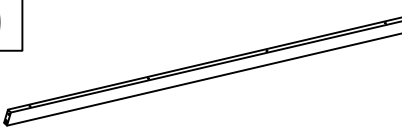

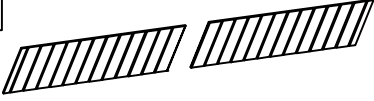
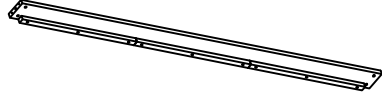

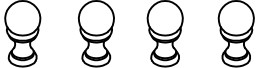
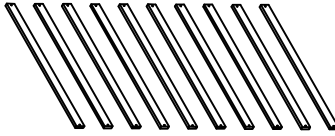
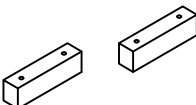
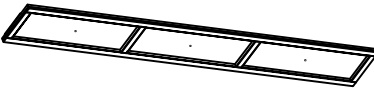
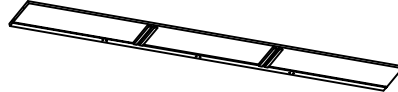
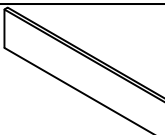
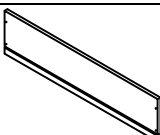
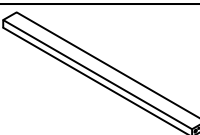
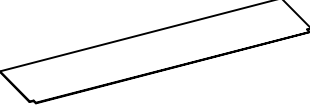
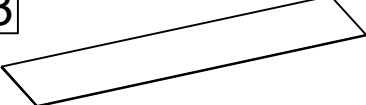
DAYBED WITH 3 DRAWER



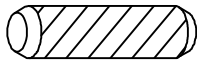
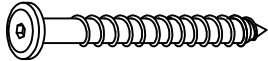
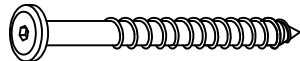




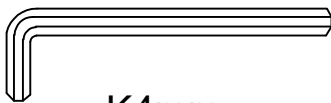
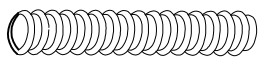

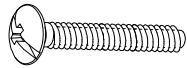
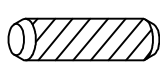

Detail View



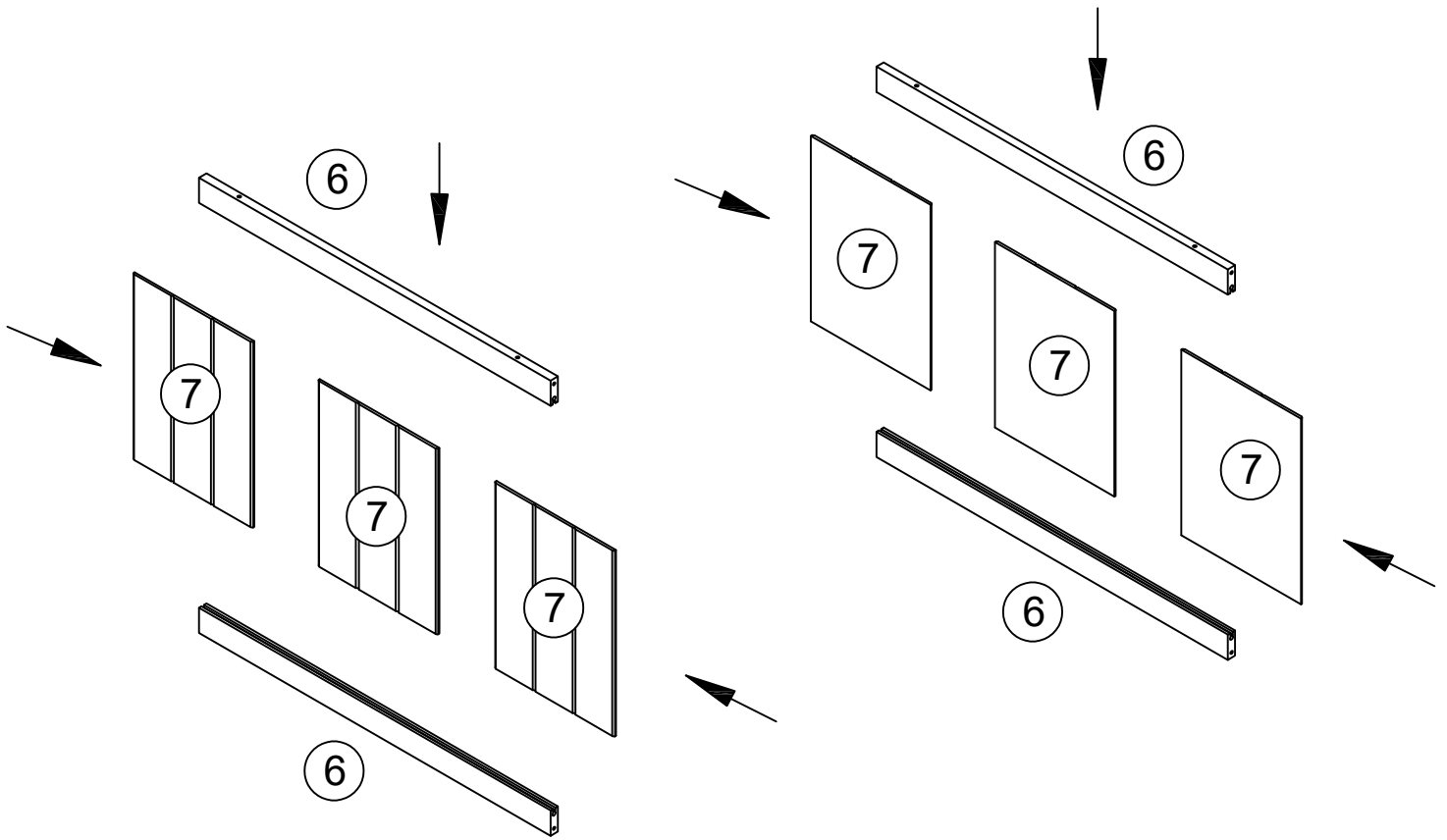
Part Lists

1		2		3	
Hind leg (left) - 1pc		Front leg (left) - 1pc		Hind leg (right) - 1pc	
4		5		6	
Front leg (right) - 1pc		Cladding bar - 4pcs		Grooved crossbar - 4pcs	
7		8		9	
Cladding frame - 6pcs		Lower crossbar - 1pc		Upper crossbar - 1pc	
10		11		12	
Beam face - 1pc		Cladding bar - 2pcs		Bed shoulder (back) - 1pc	
13		14		15	
Bed shoulder (front) - 1pc		Decorative piece - 4pcs		Slats - 10pcs	
16		17		18	
Drawer blocker - 2pcs		Drawer front frame - 1pc		Drawer back frame - 1pc	
19		20		21	
Drawer panel - 2pcs		Side drawer - 2pcs		Drawer support - 3pcs	
22		23			
Drawer shelf with mount - 1pc		Drawer shelves - 1pc			

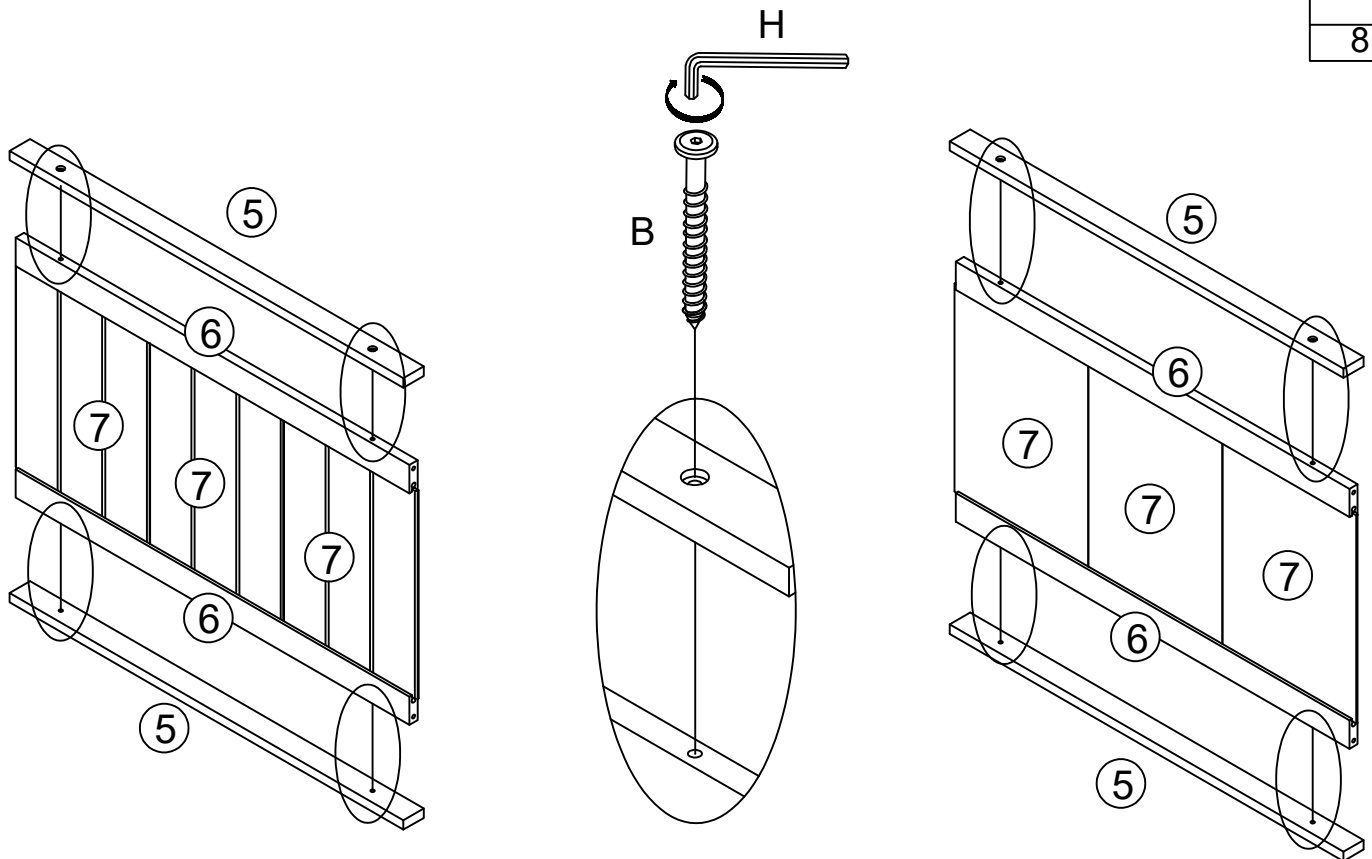
Hardware Lists

A  Ø10*30mm Wood dowel (16pcs)	B  Ø6*50mm Hex-Head screw (12pcs)	C  Ø6*100mm Hex-Head screw (12pcs)
D  Ø1/4" Horizontal-Hole bolt (8pcs)	E  #4*30mm Screw (38pcs)	F  #3.5*15mm Screw (8pcs)
G  Ø26mm Caster (4pcs)	H  K4mm Allen key (1pc)	M  Ø5/16" x 60 mm Headless bolt (4pcs)
K  Ø30 mm Wood Handle 3pcs	L  Ø5/32" x 20mm Philip-Head bolt (3pcs)	U  Ø8*30mm Wood dowel (12pcs)
N  Ø1/4"*100mm Hex-Head bolt (8pcs)		

Step 1

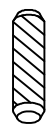



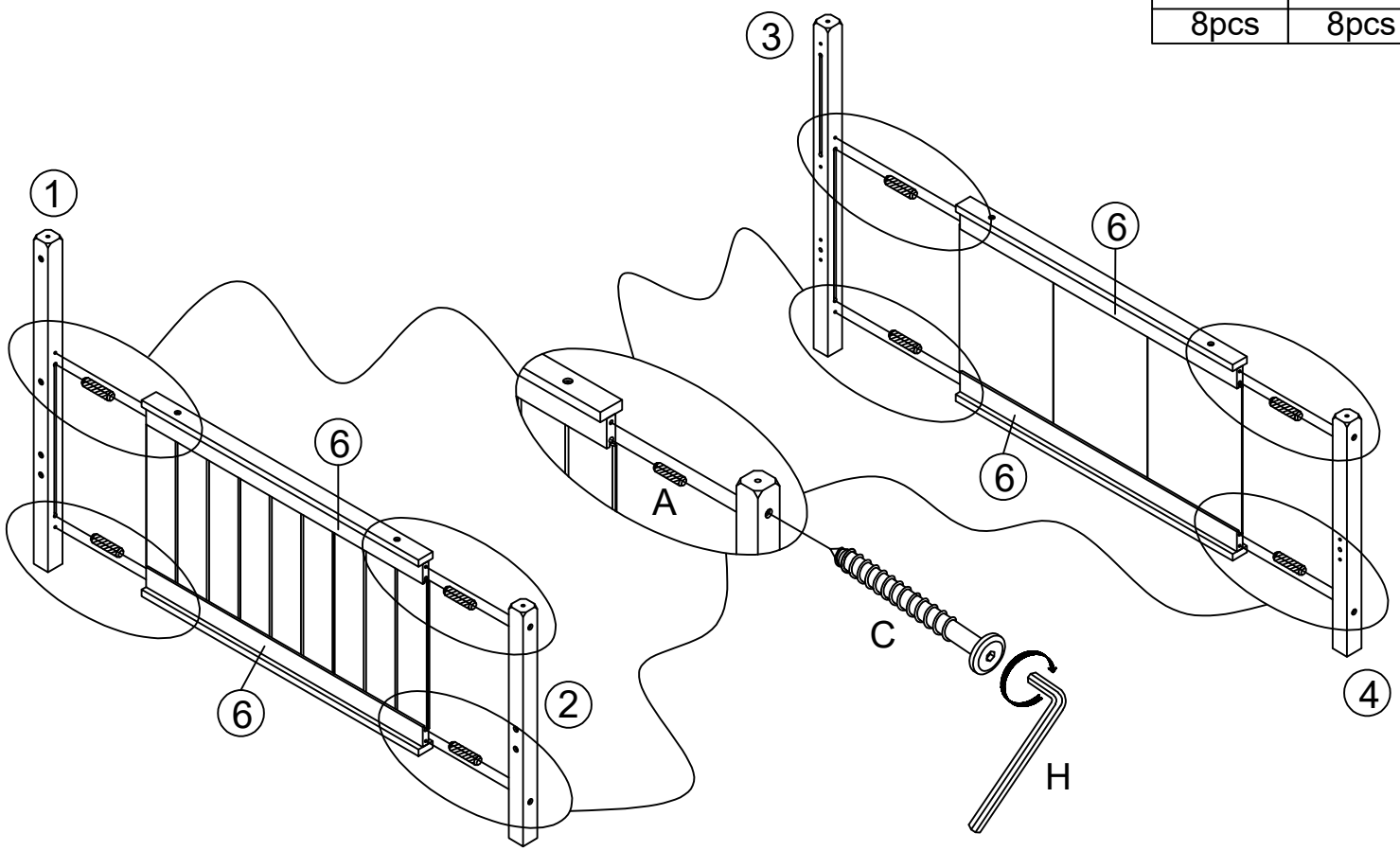
Step 2



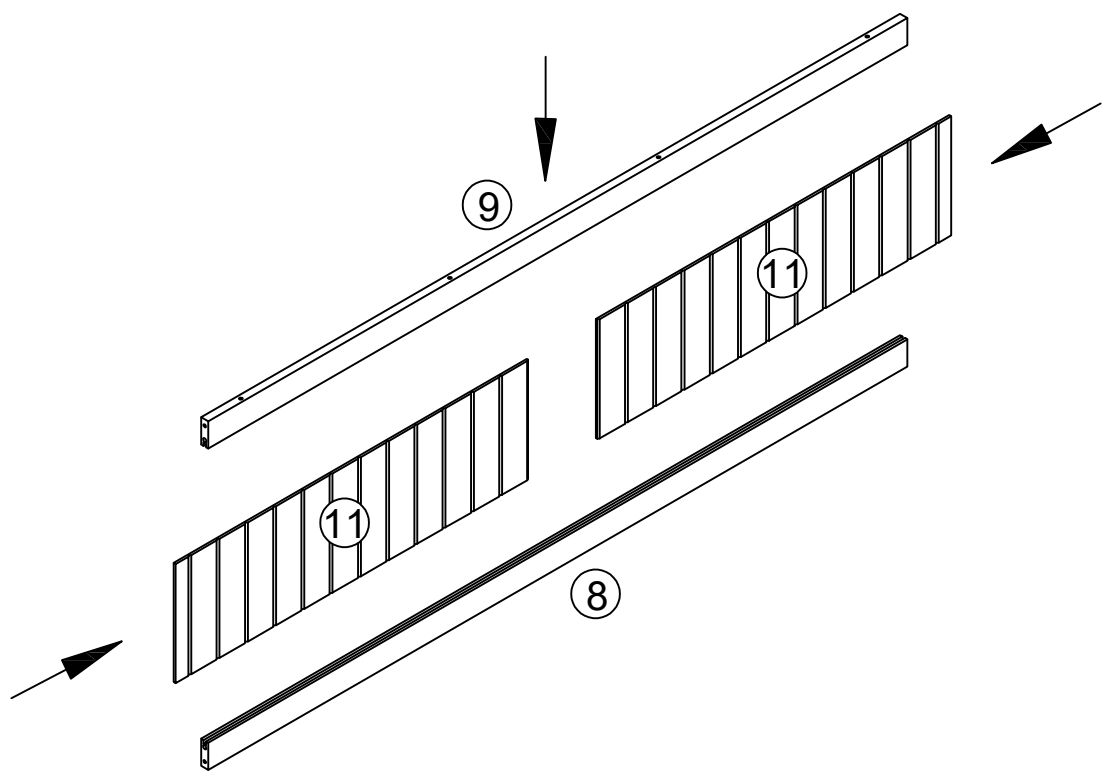
B
8pcs

Step 3

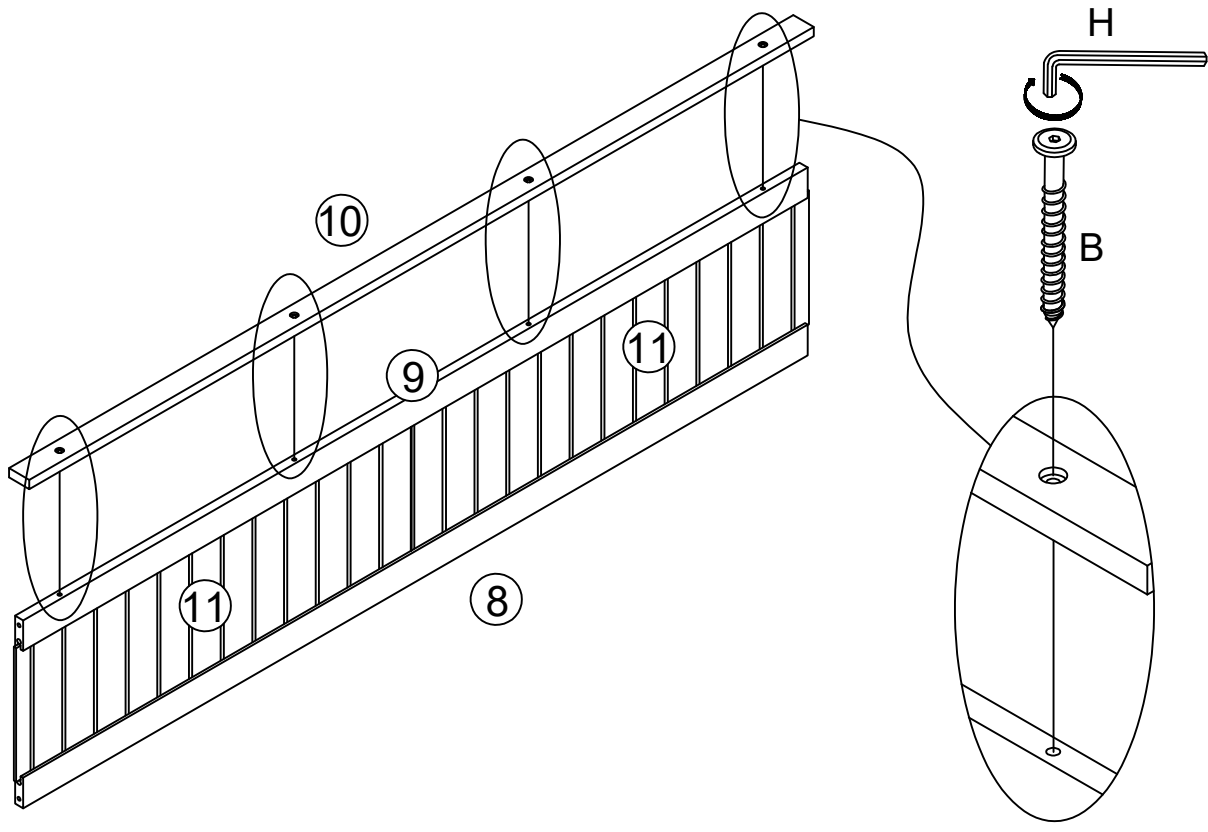
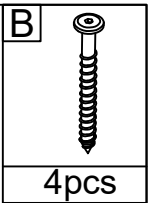
A		C	
8pcs		8pcs	



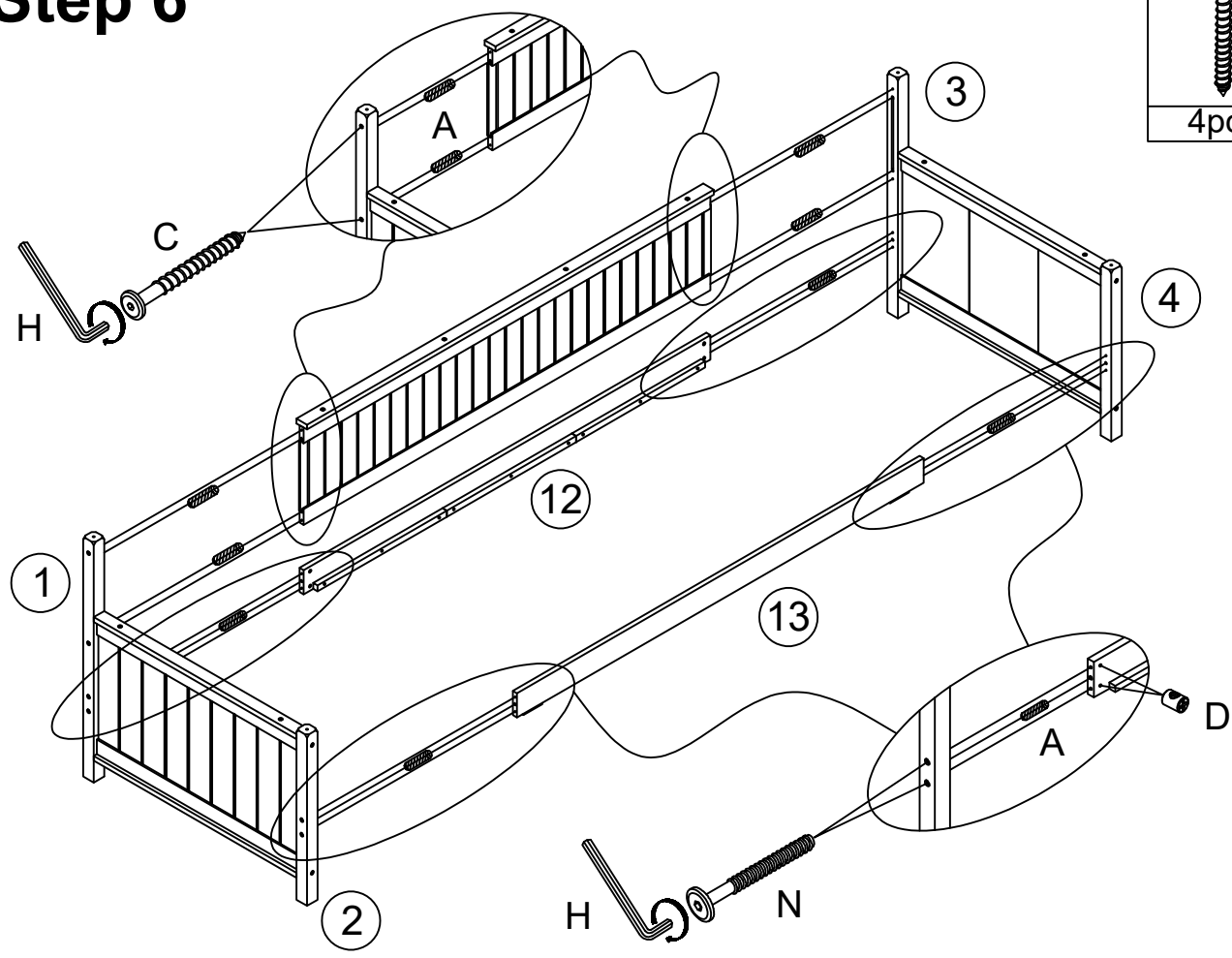
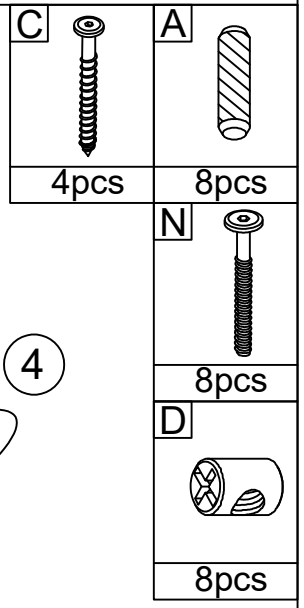
Step 4



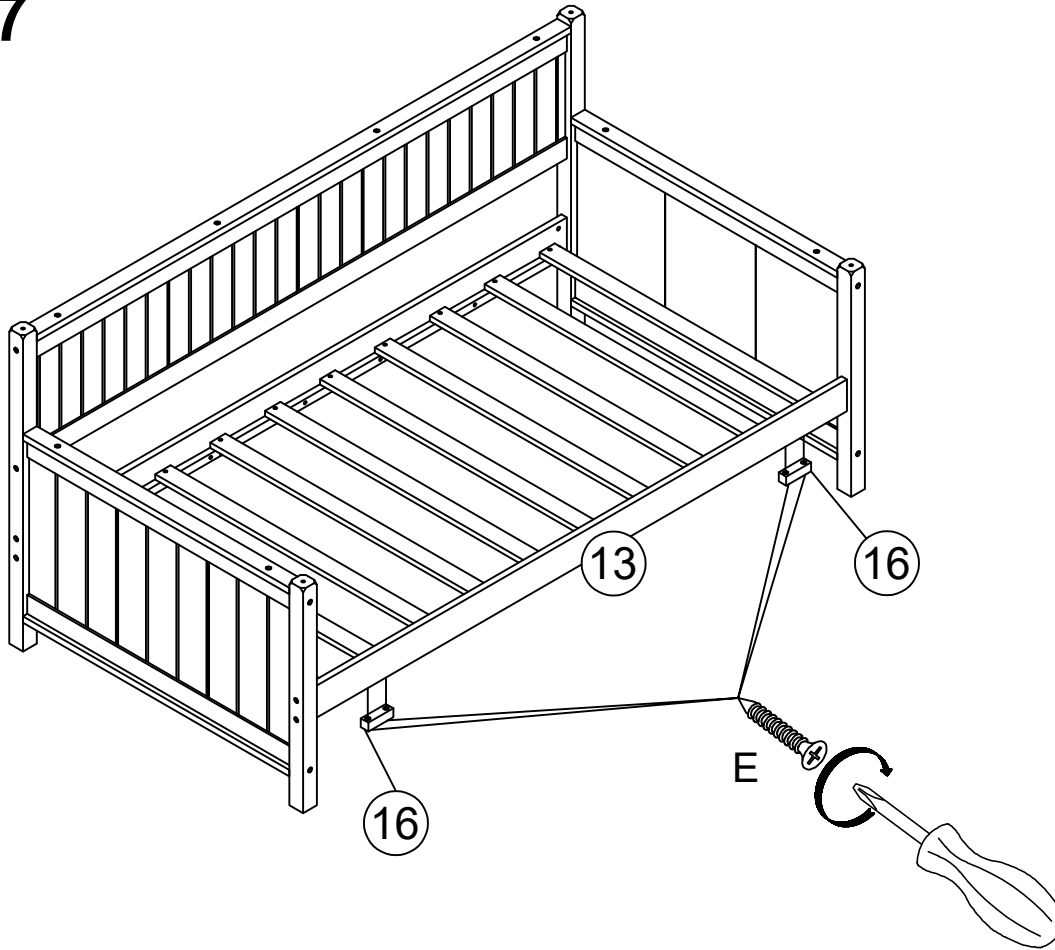
Step 5



Step 6

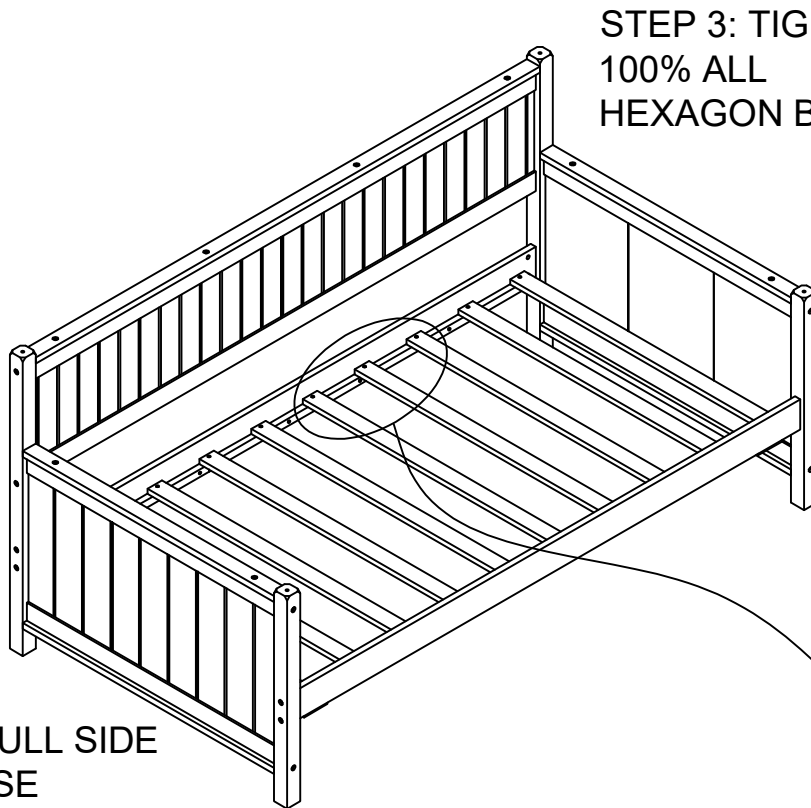


Step 7



E
4pcs

Step 8




STEP 3: TIGHTEN
100% ALL
HEXAGON BOLTS

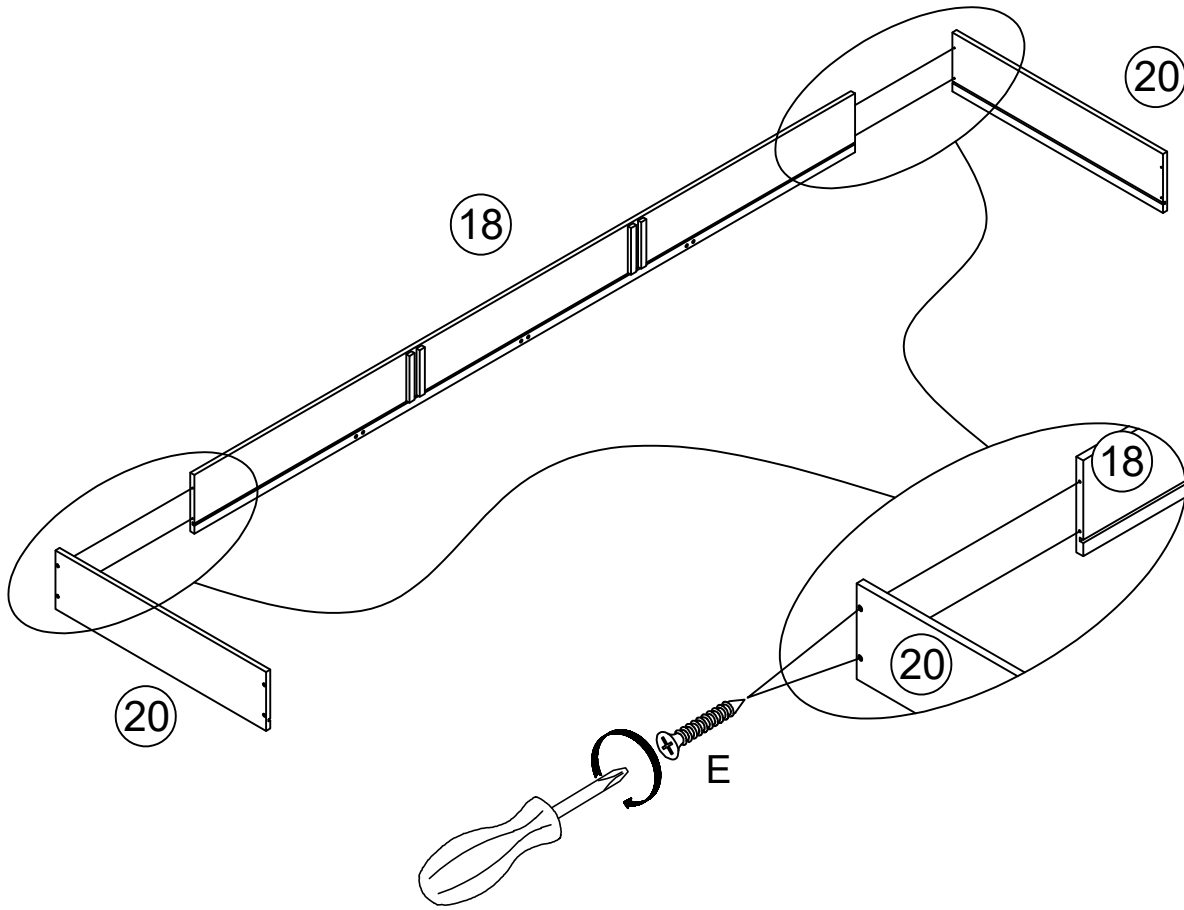
STEP 2: SCREW
ALL SLATS

STEP 1: PULL SIDE
RAIL CLOSE
TOGETHER ENOUGH
TO FIT THE SLATS



E
20pcs

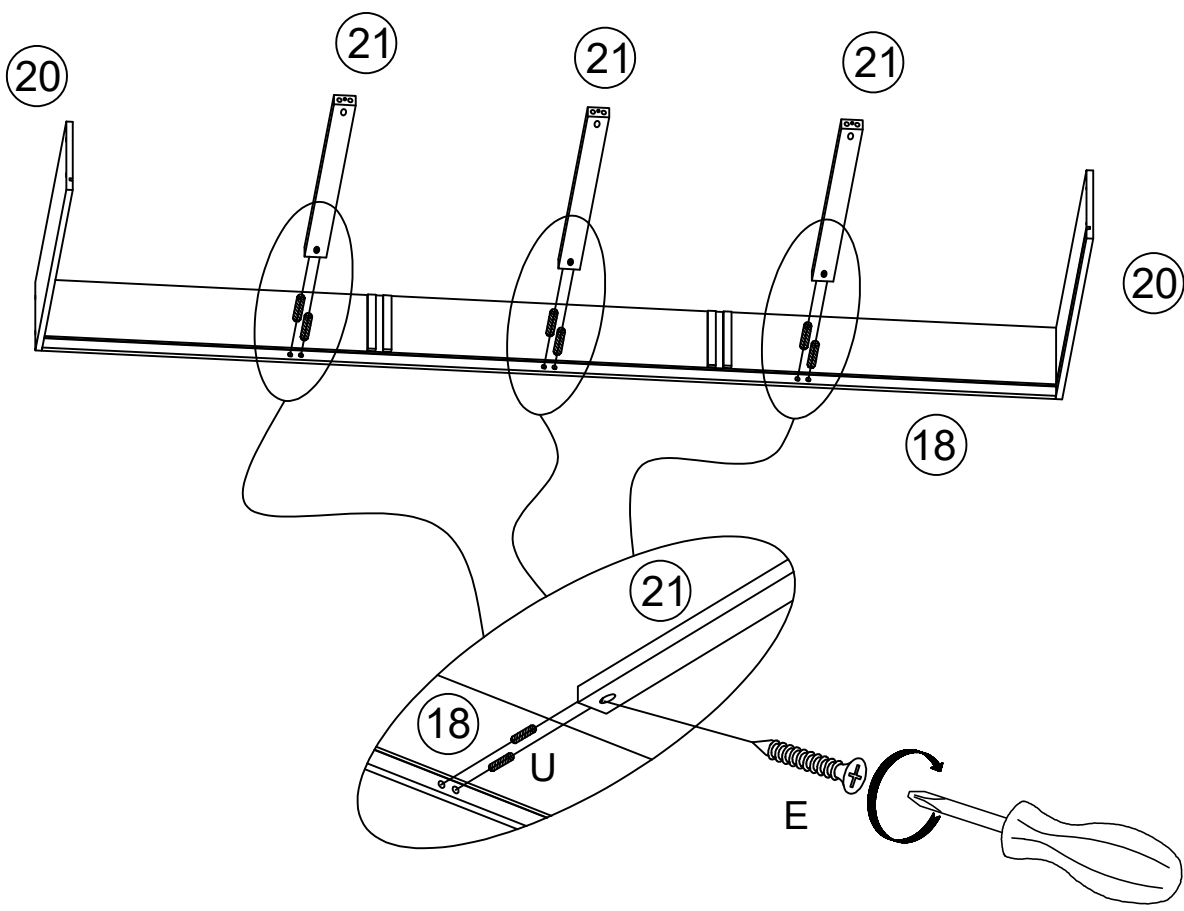
Step 9

E	
4pcs	

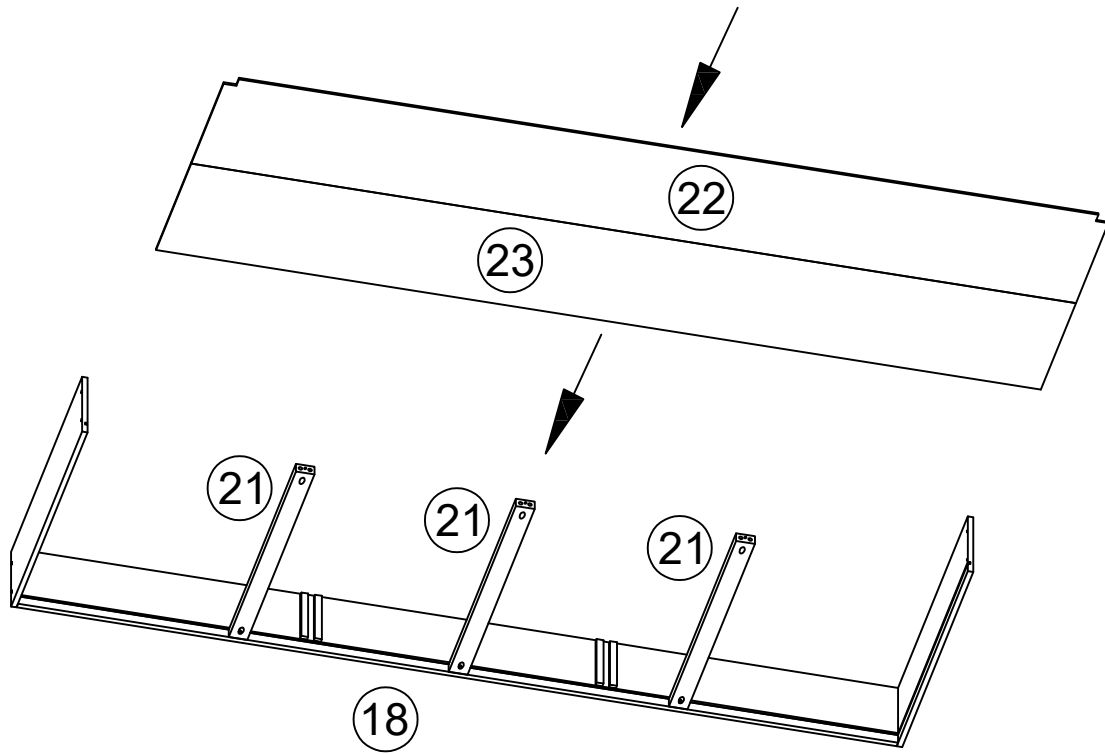


Step 10

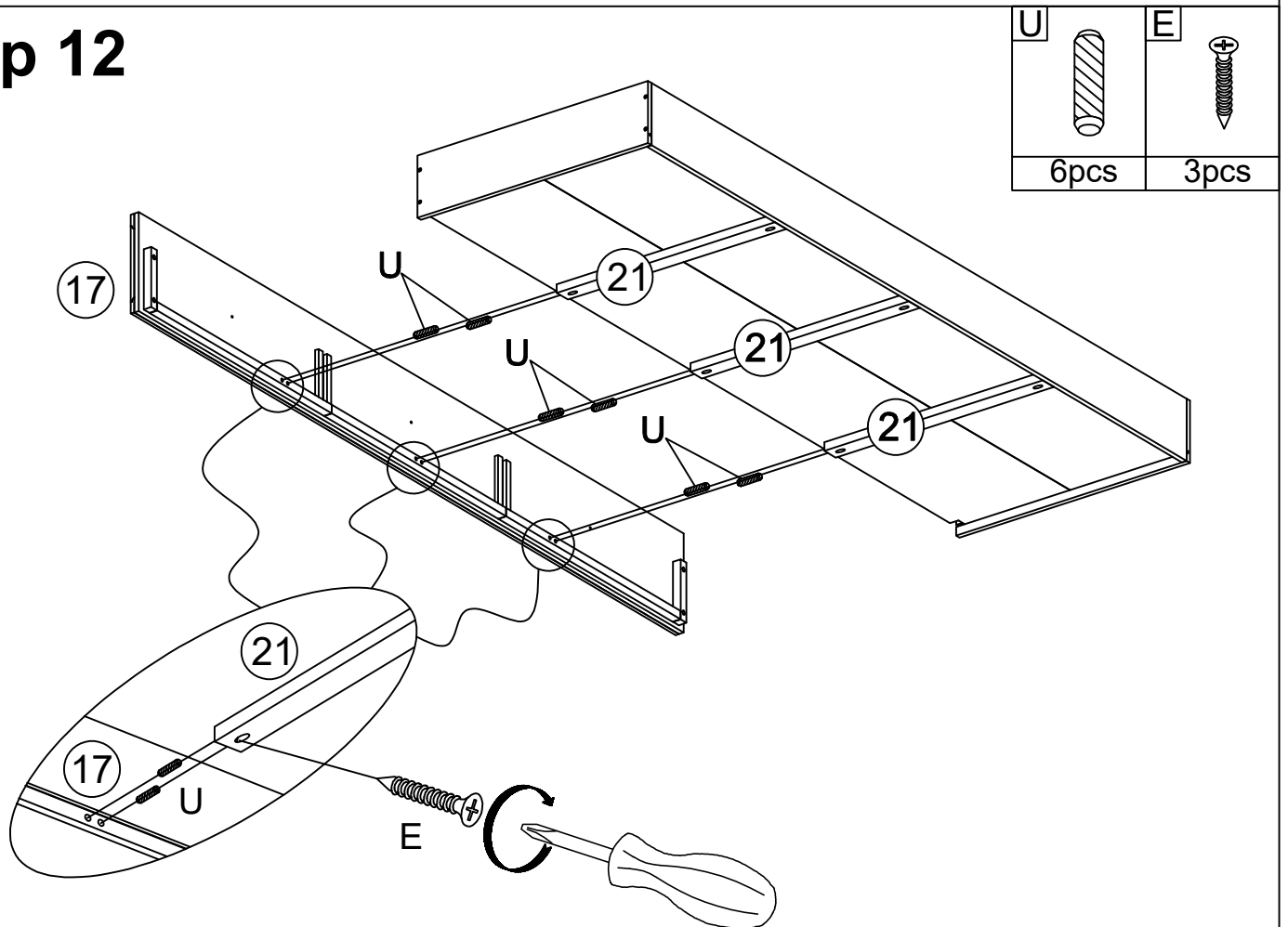
U		E	
6pcs		3pcs	



Step 11

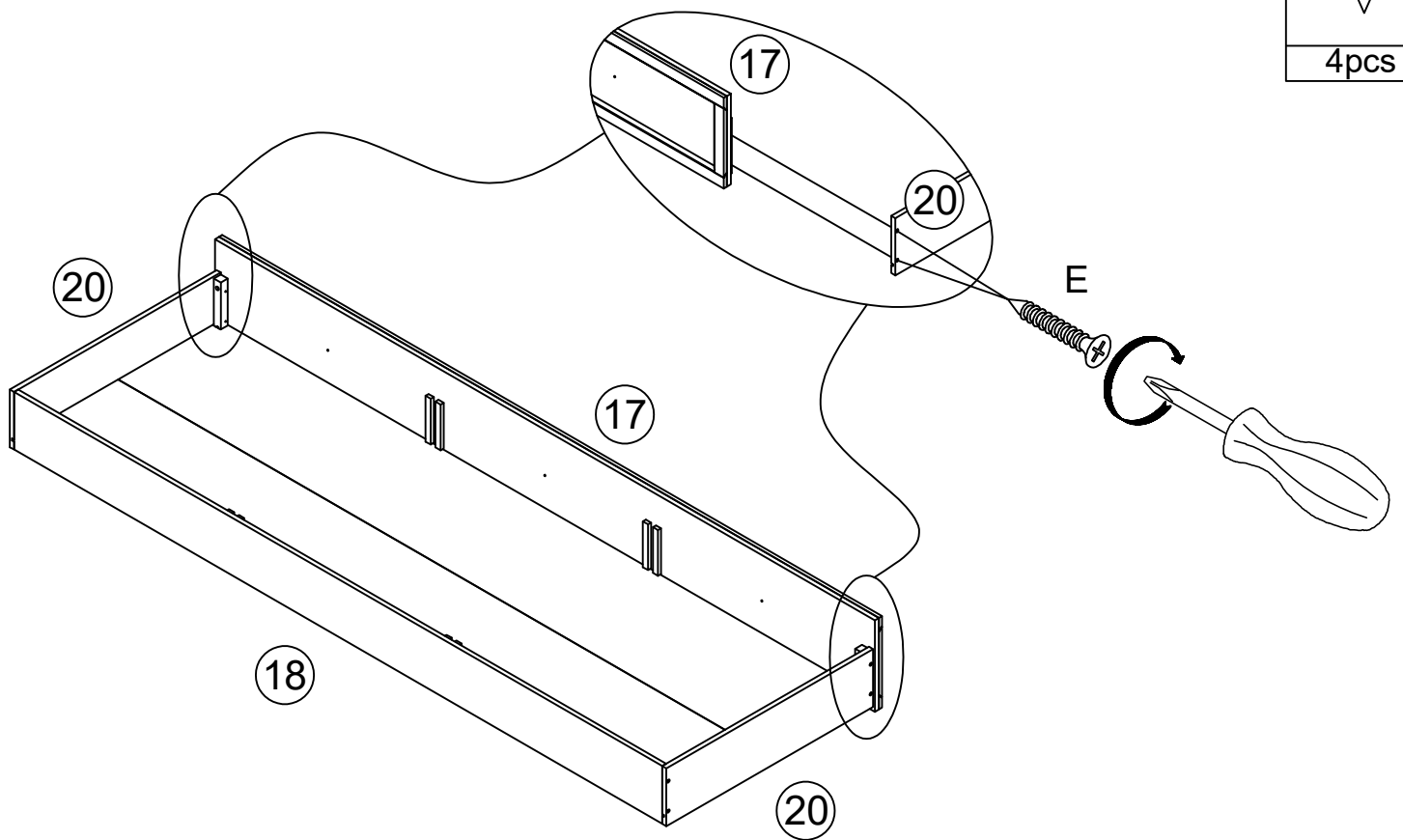


Step 12

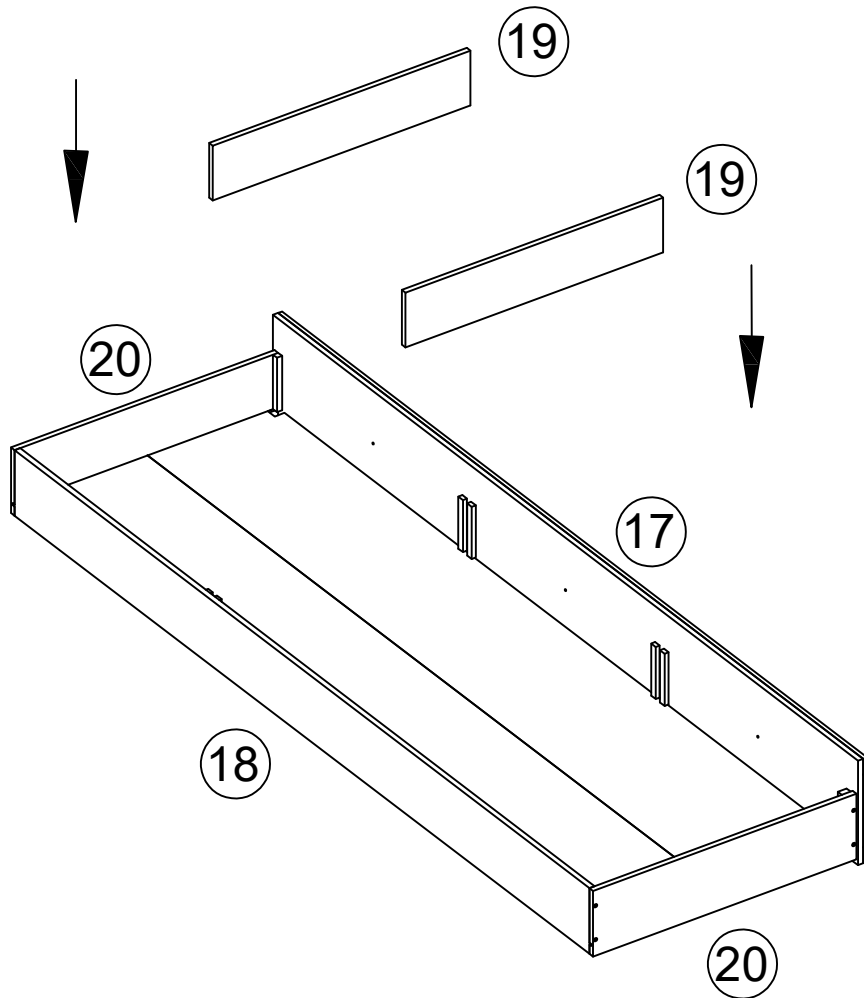


Step 13

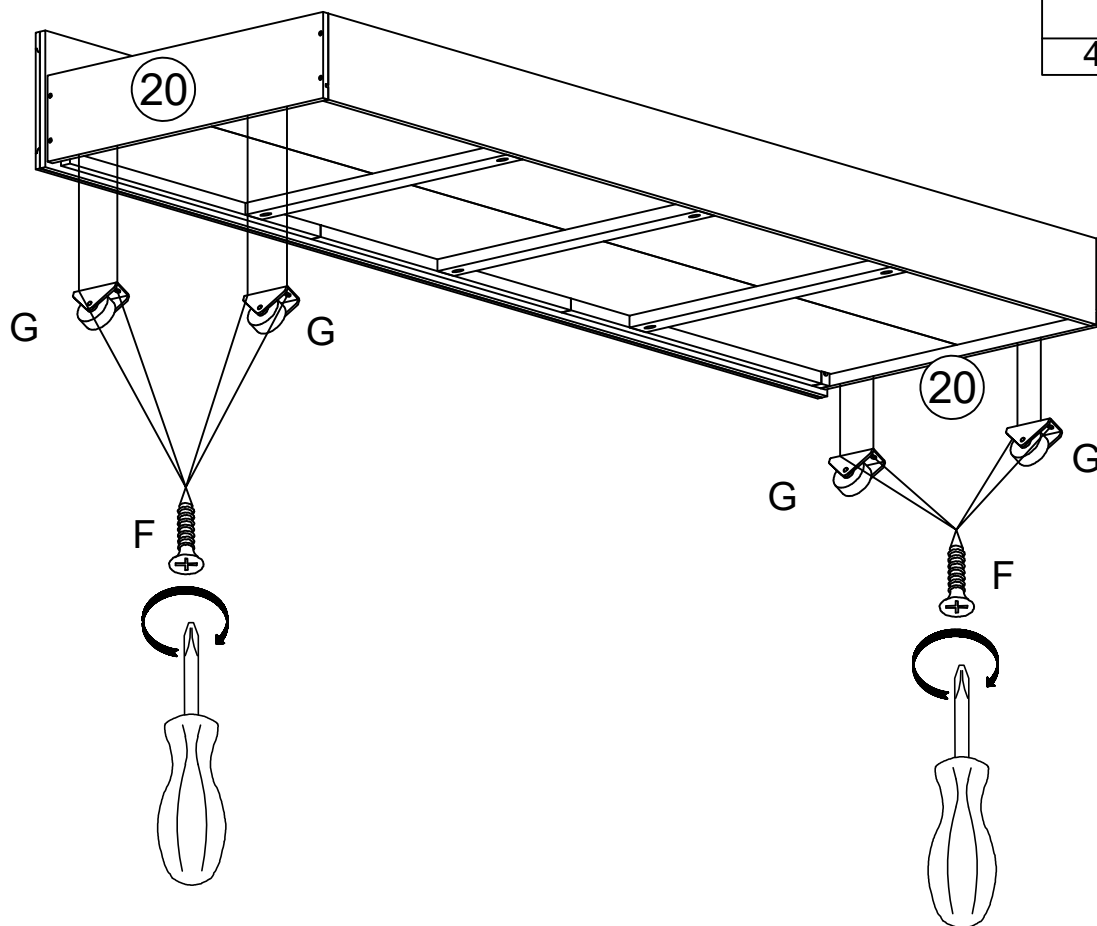
E
4pcs



Step 14

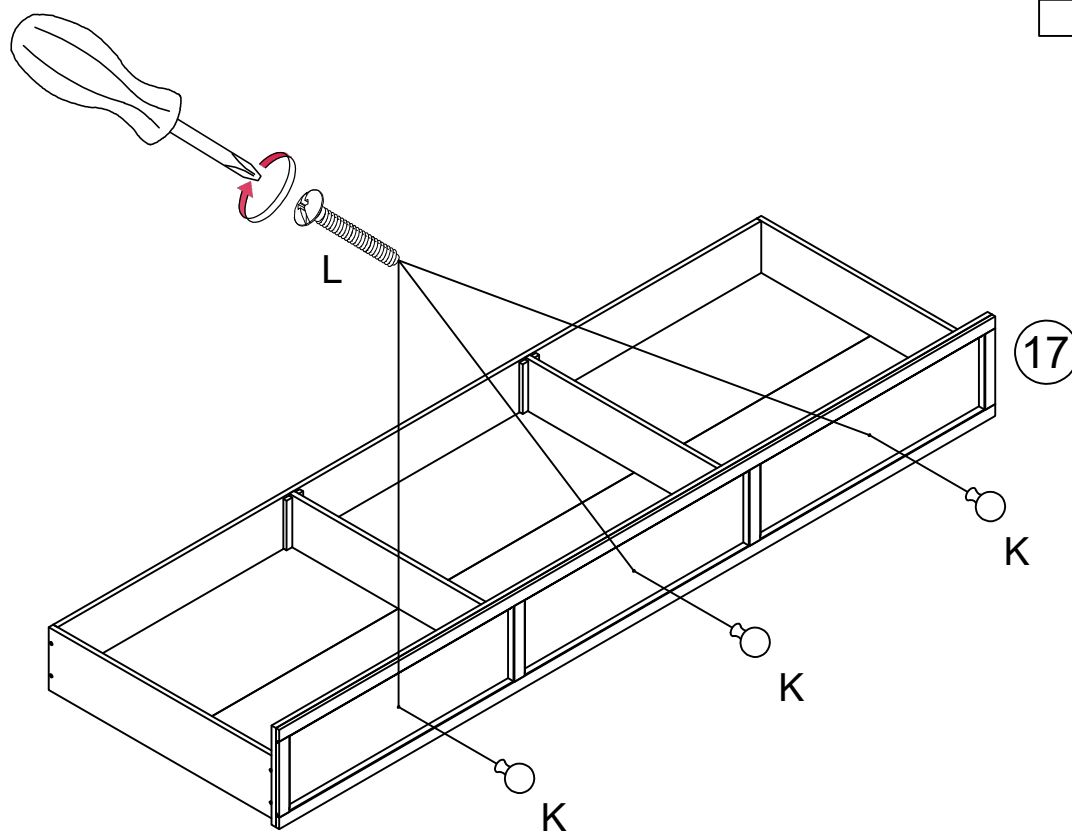


Step 15



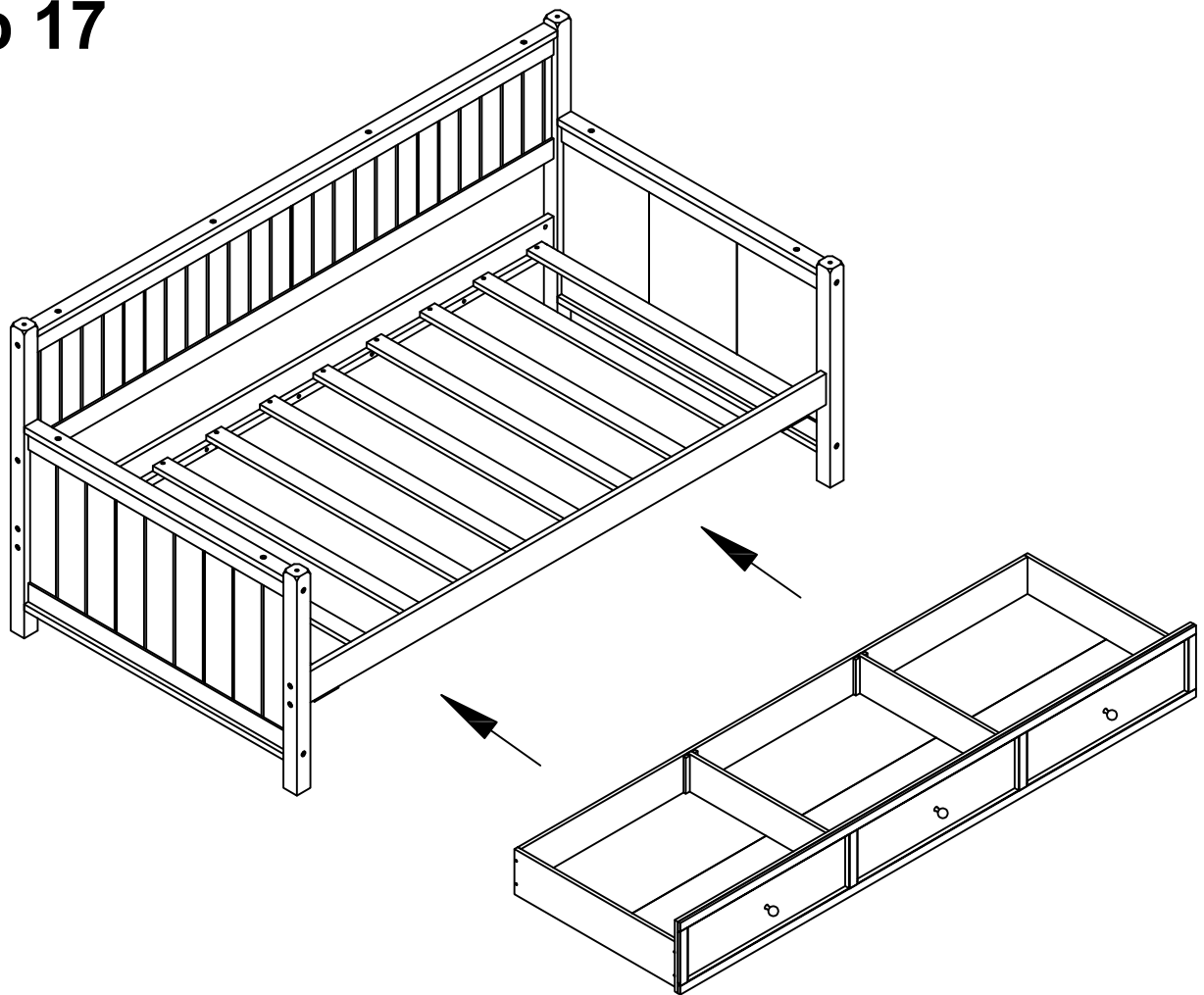
G	F
4pcs	8pcs

Step 16

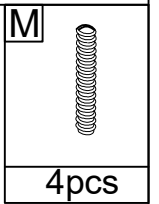
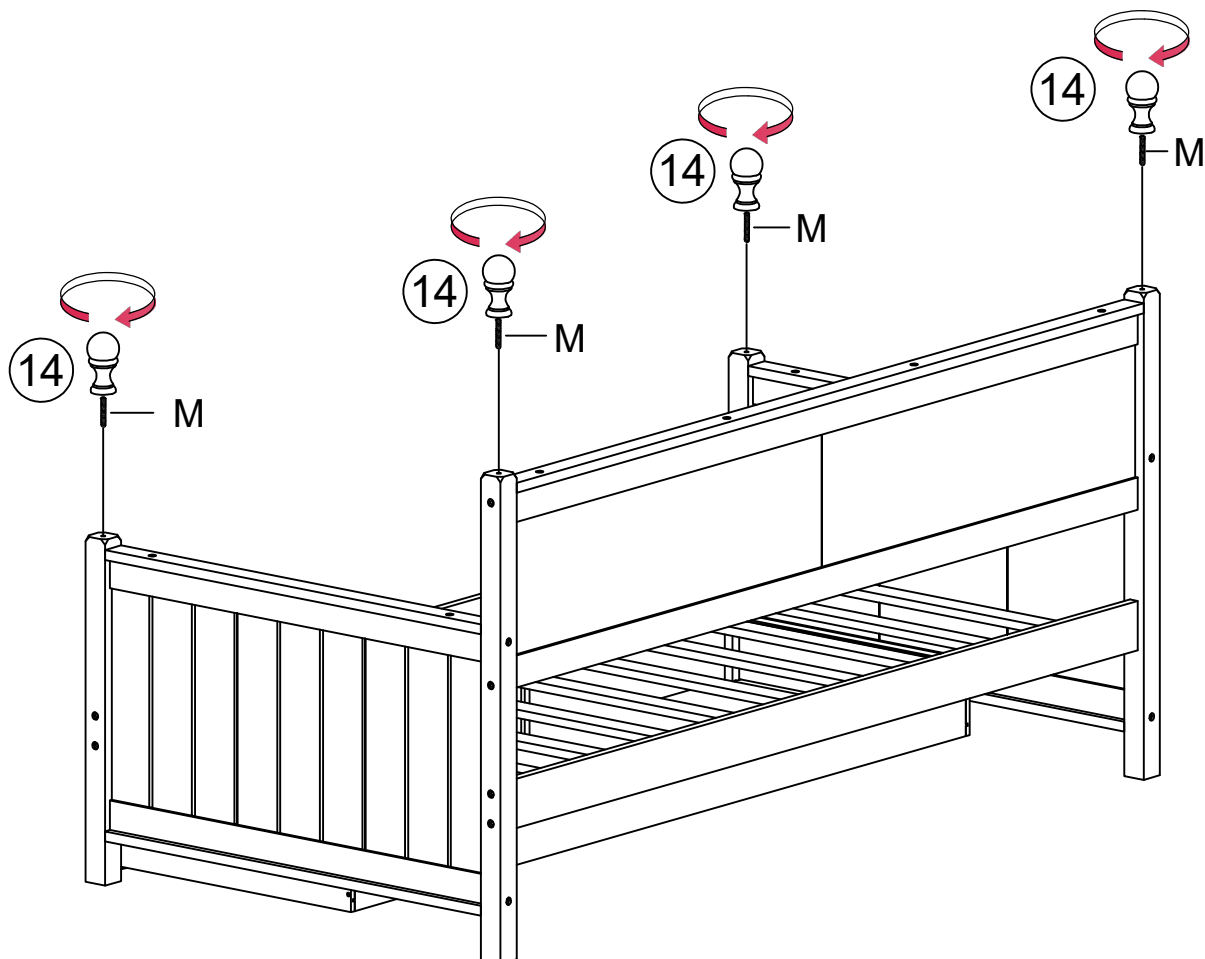


L	K
3pcs	3pcs

Step 17



Step 18



COMPLETED

