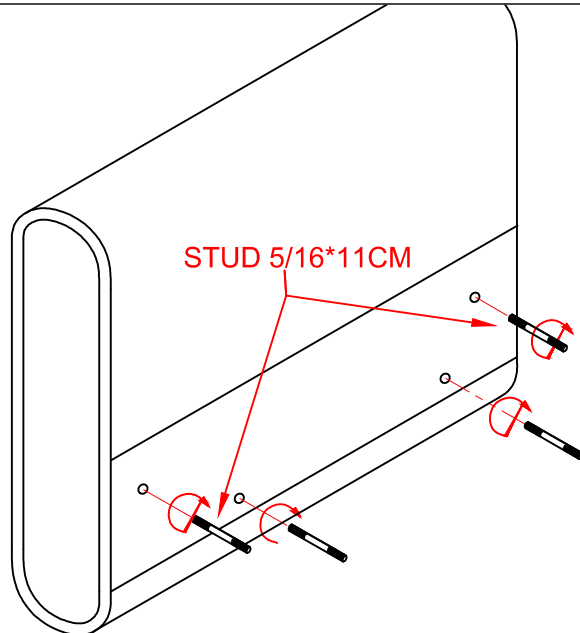
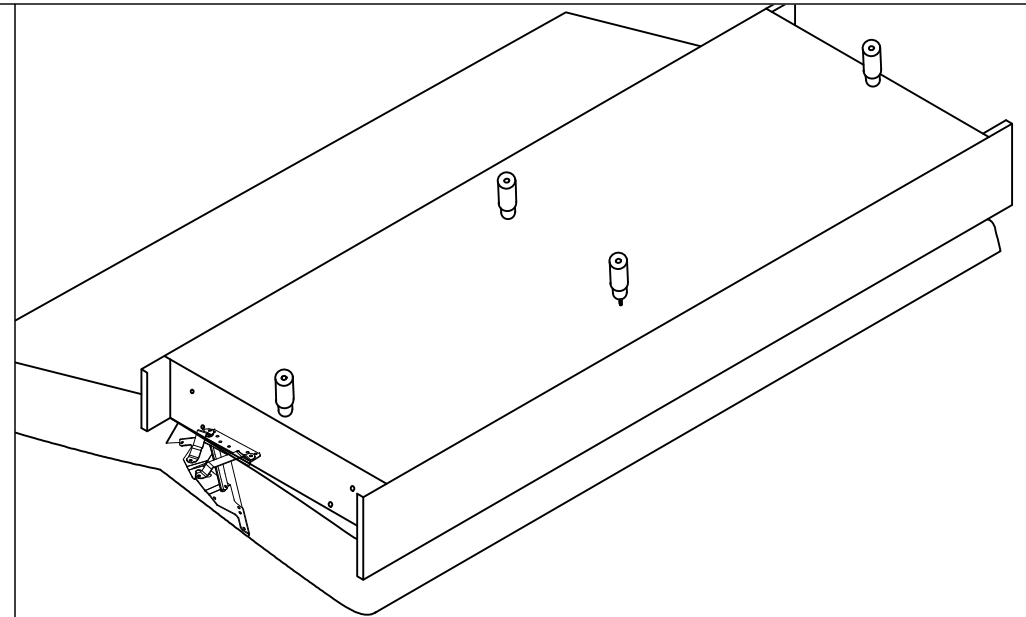


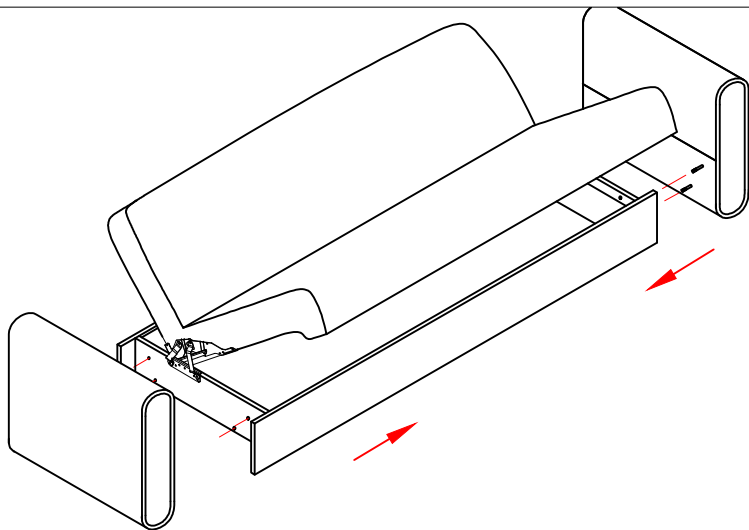
INSTALLATION INSTRUCTION



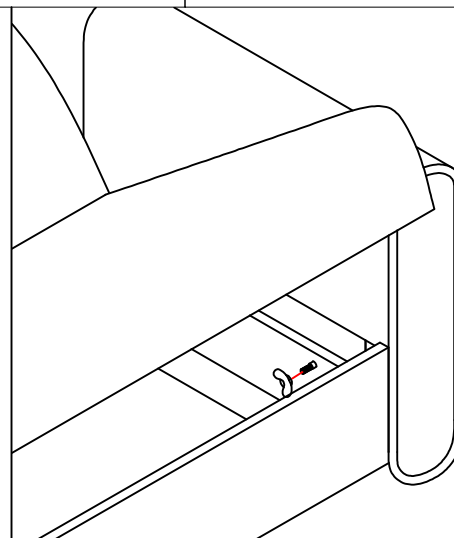
1st process :5/16*11studs are inserted into the holes on the arm taken out of the packaging



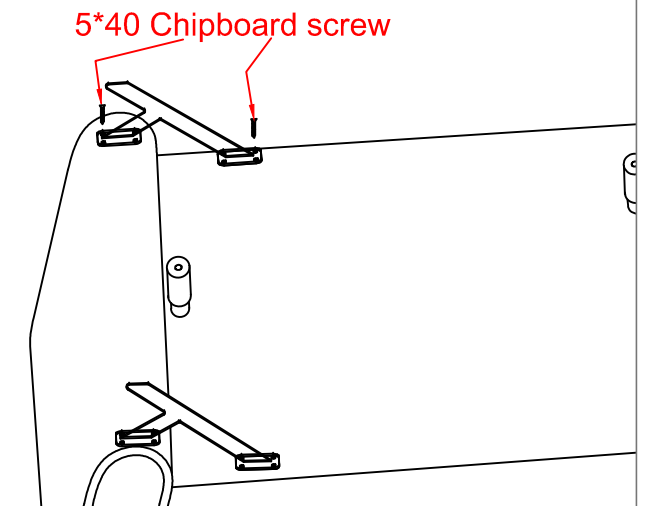
2nd process :4 middle legs of the sofa taken out of the packaging are screwed to the plastic leg fastening apparatus mounted on the case



3rd process :After the sofa is placed in (V) position as shown in the figure, the arm is aligned with the holes on the frame and assembled in the direction of the arrow



4th process : Wing nuts are mounted on the studs



5th process :Each of the legs is mounted with 8 pieces of 5*40 chipboard screws