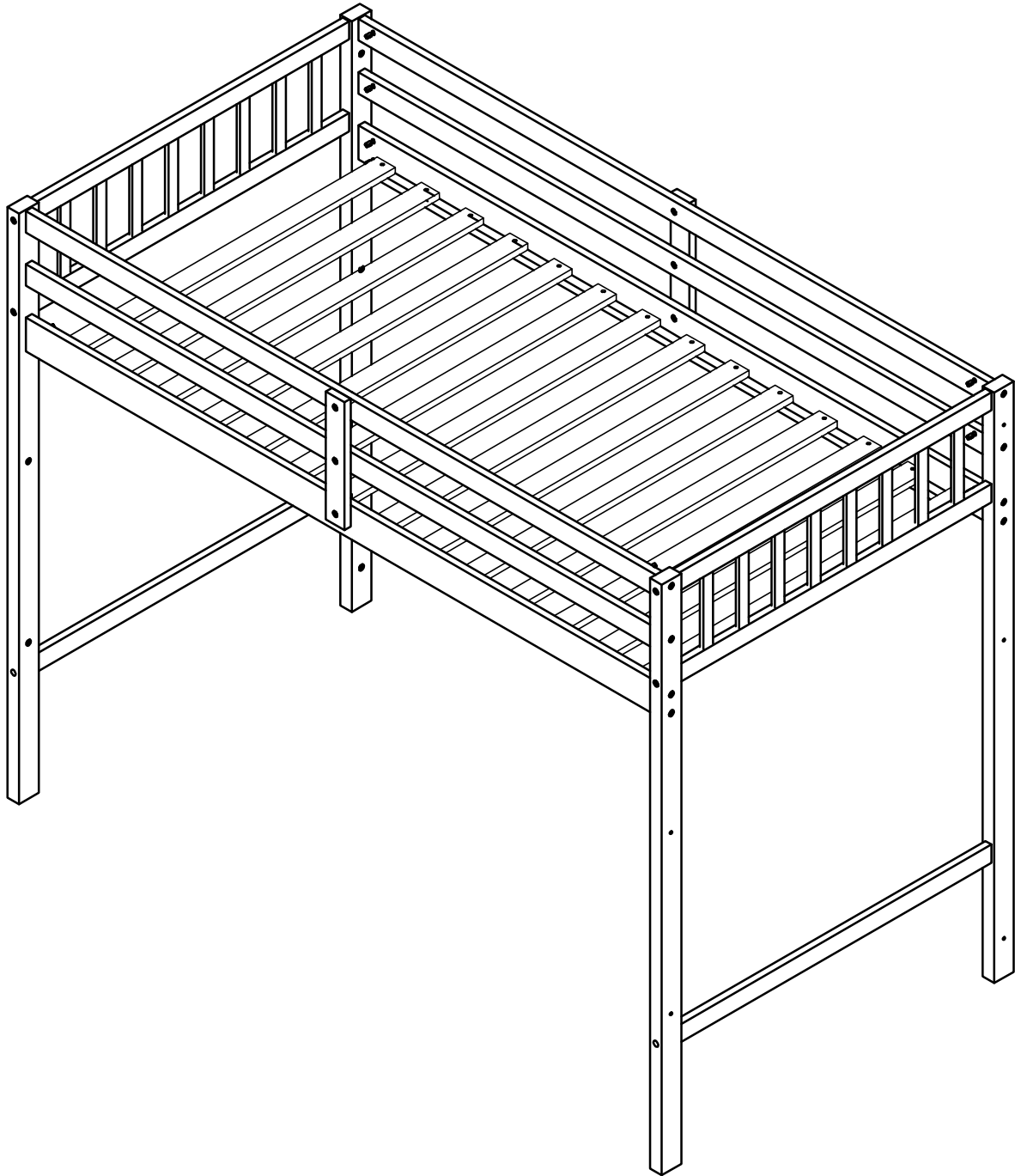


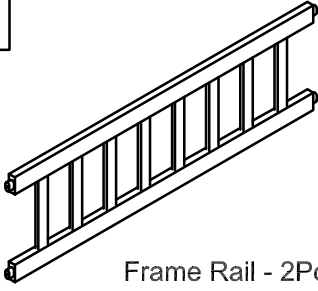
Uper Twin Bed

This set is included 3 boxex if do not receive full 3 boxex please contact our customer service team



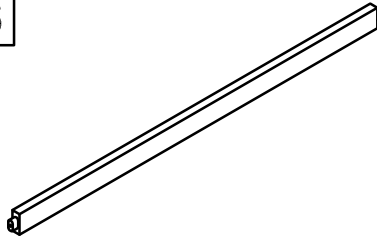
PART LIST

1



Frame Rail - 2Pcs

6



Support Rail (L&R) - 2pc

PART LIST

2



Legs headboard (L) - 1pc

3



Legs headboard (R) - 1pc

4



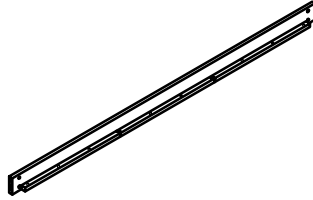
Legs footboard (L) - 1pc

5



Legs footboard (R) - 1pc

7



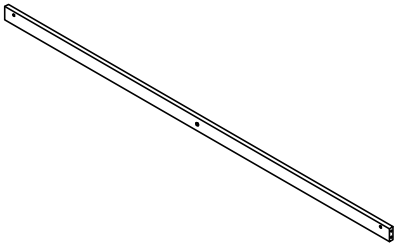
Side rails - 2Pcs

8



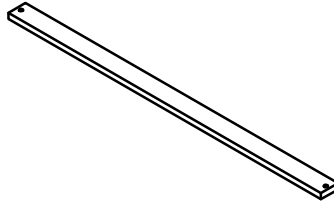
Verticalguardrail-2pcs

9



Longguardrail (Back)-4pcs

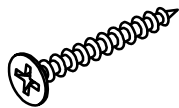
10



Slats-14pcs

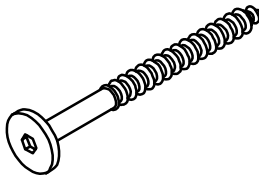
HARDWARE LIST

A



M4x30
Wood screws-28pcs

B



Ø1/4 x 70 mm
Hexagonal bolts catch Wood-12Pcs

C



Ø1/4 x 80 mm
Hex-Head bolts - 16Pcs

D



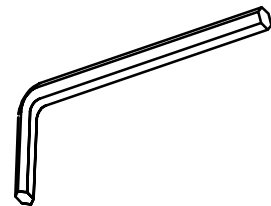
Ø10 x 40mm
Dowles - 12Pcs

E



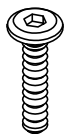
Ø1/4 x 13mm
Cross nuts - 16Pcs

F



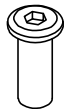
Allen Key - 1Pc

G

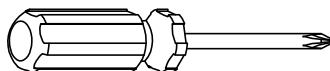


Ø1/4" x 25 mm
Hex-Head bolts - 6pcs

H

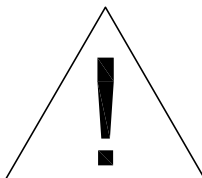


Ø1/4" x 15 mm
Canopy head though - 6pcs

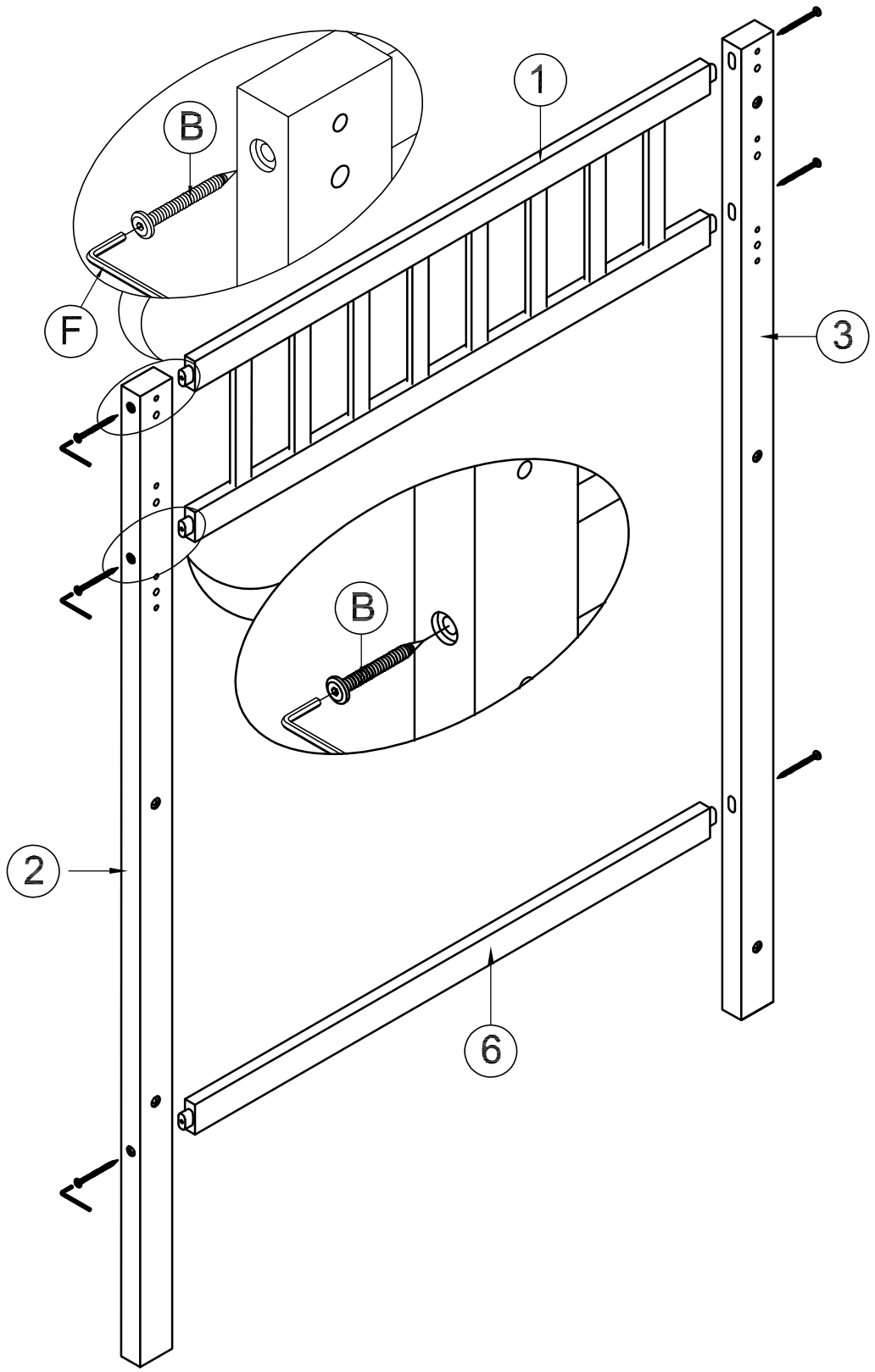
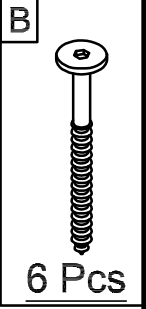


Assembly Tools Required (Not Included)

**PLEASE BE CAREFUL DO NOT DAMAGE THE HOLE
POSITION WHEN YOU USE POWER TOOLS!**

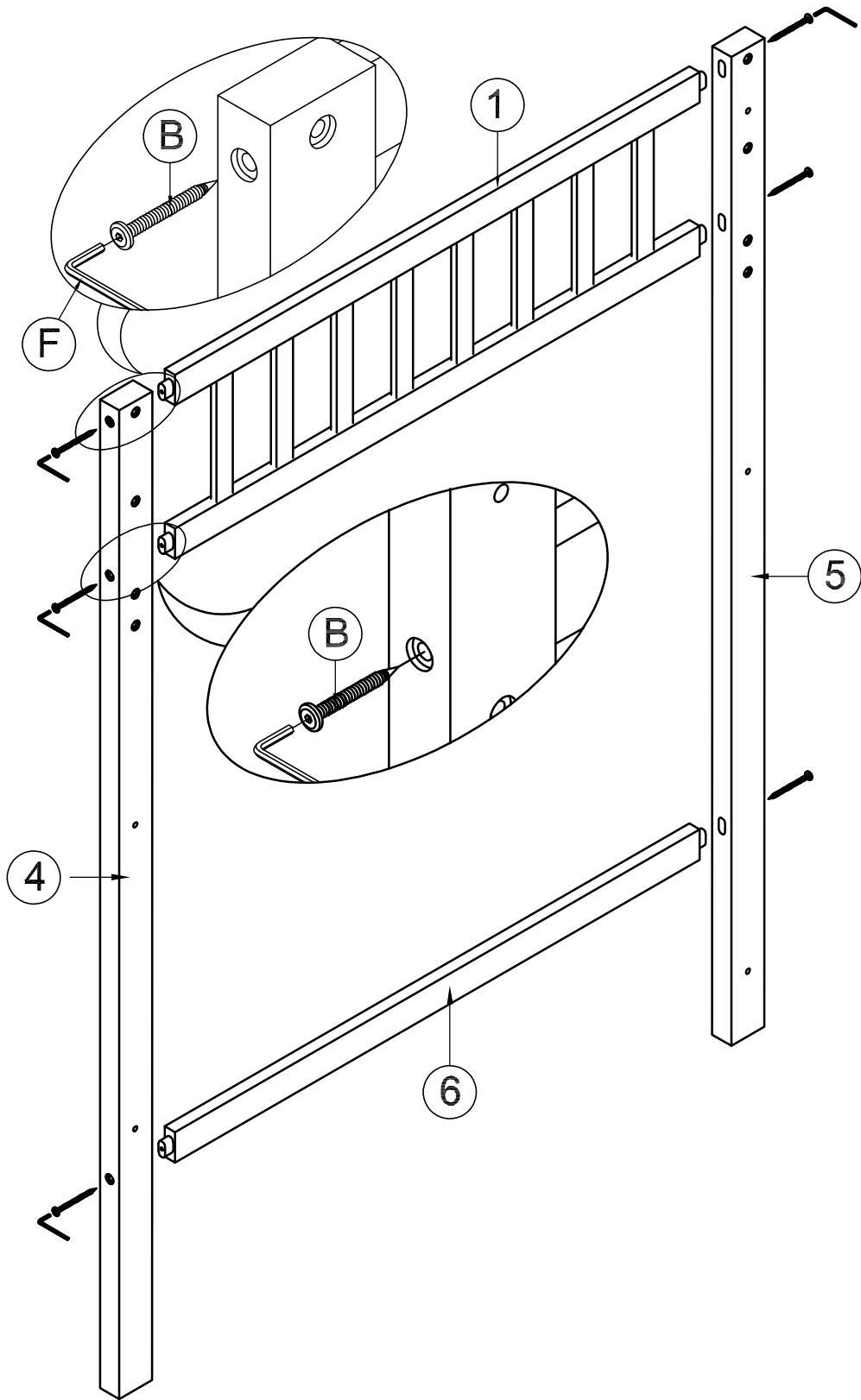


STEP 1




HEADBOARD

STEP 2









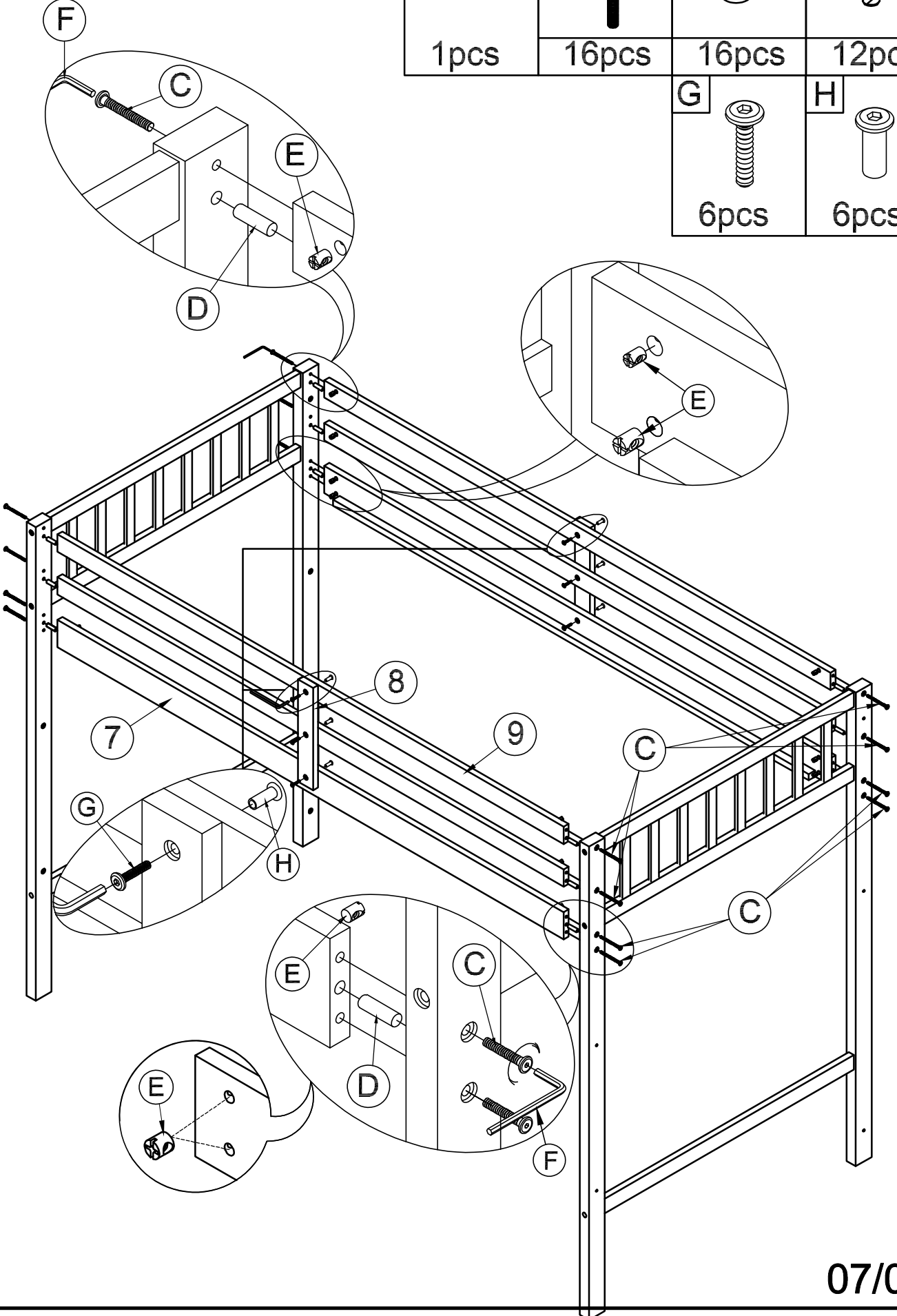
B



6 Pcs

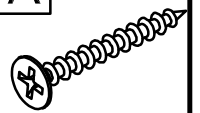
STEP 3

F  1pcs	C  16pcs	E  16pcs	D  12pcs
		G  6pcs	H  6pcs

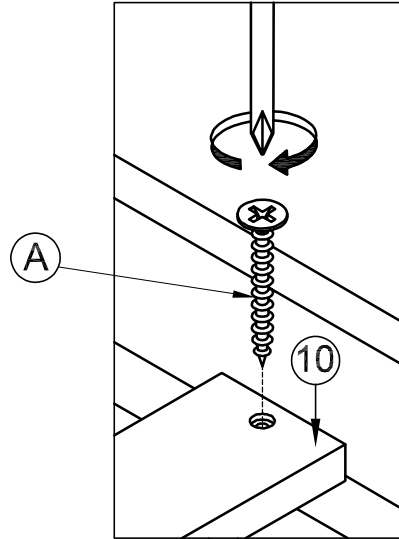


STEP 4

A



28 pcs



Please complete screw all slats to siderail before out the mattress on and using