

NOTICE

*Please make sure that you have all part indicated and they are in good condition before you begin assembly of this item. Refer to part list and hardware list below for guidance.

*This item should be assembled on a soft surface to prevent scratching the finish during assembly.

*This item may require periodic tightening.

*If you are having difficulty, our friendly Customer Care team is always here to help.

PREPARATION

*Before beginning assembly of product, make sure all part are present. Compare part with part contents list and hardware contents list.

*If any part is missing or damaged, do not attempt to assemble the product.

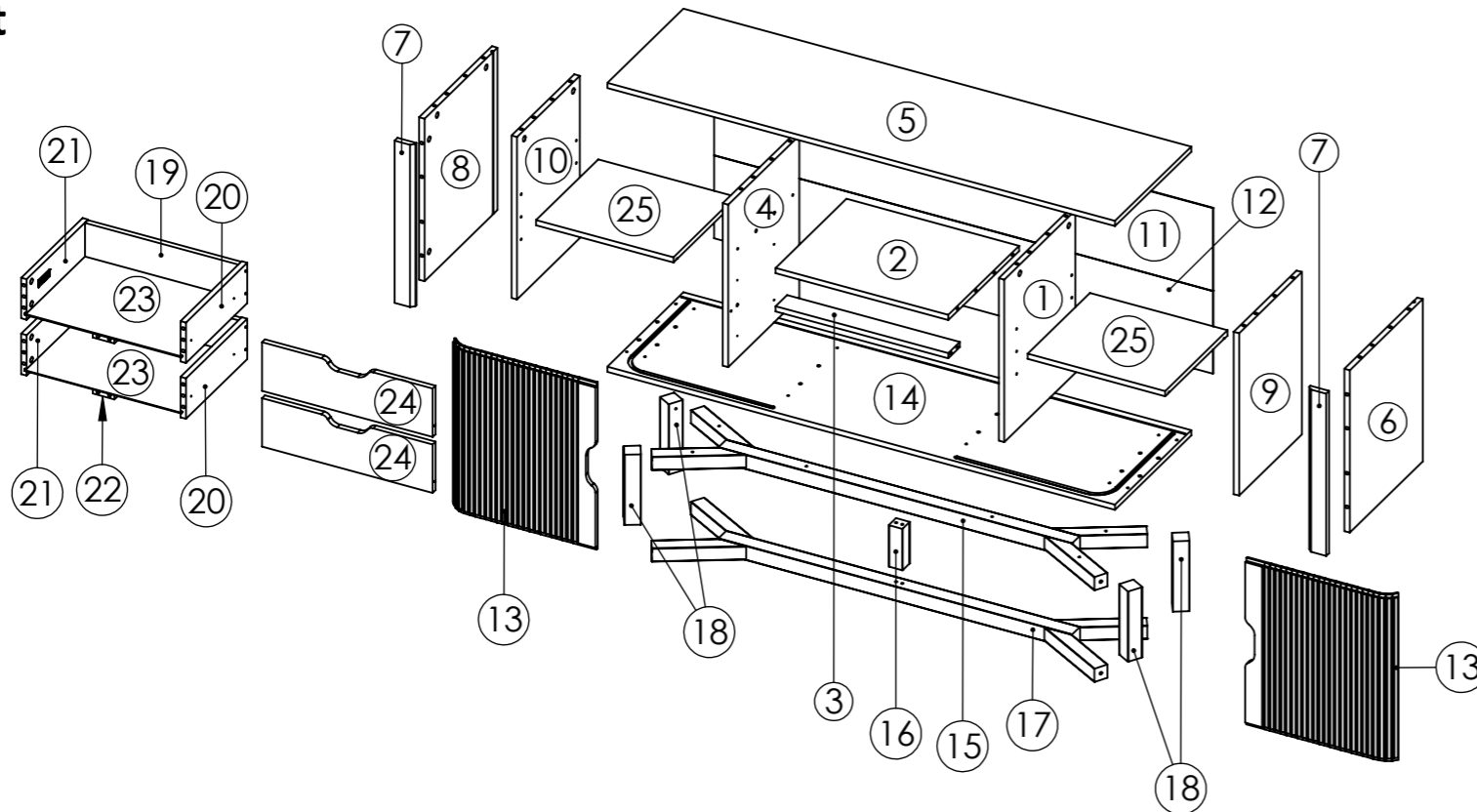
*Estimated Assembly Time: 60 minutes.

*Tools Required for Assembly (included): Allen Key

CARE AND MAINTENANCE

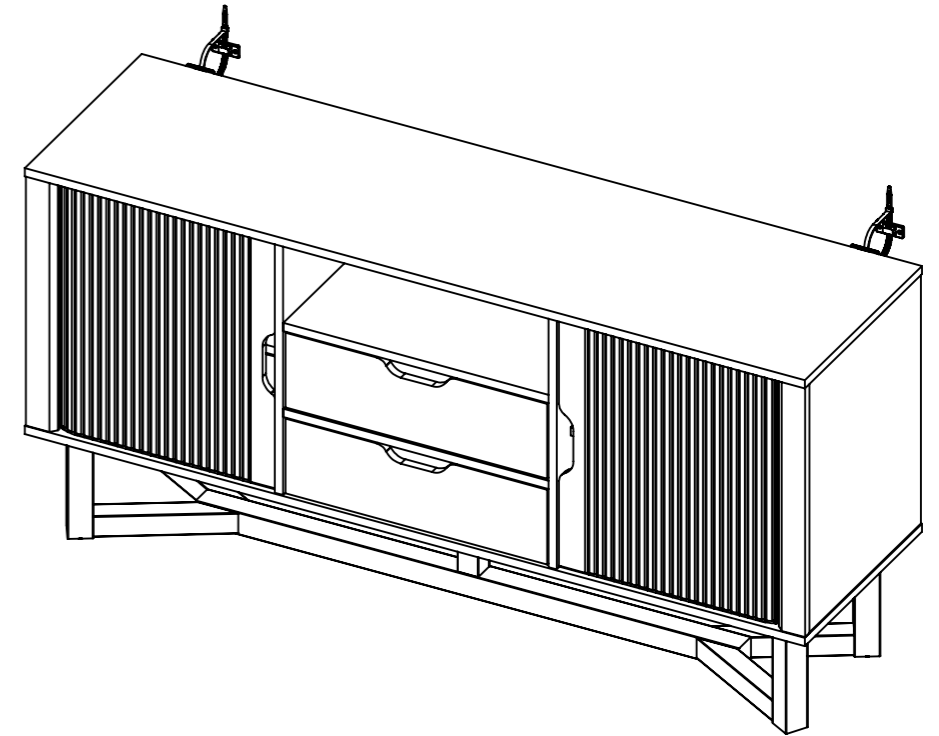
Adhesive felt pads should always be applied to areas of furniture which make direct contact with flooring, said application will prevent damage to the furniture and or surfaces on which the furniture lies. Objects placed on articles of furniture should rest on non abrasive material as to prevent damage to the wood finish. Objects whose composition consists of plastic and rubber are known to discolor and damage the wood surfaces on which they rest. Wipe up spills immediately and avoid common hazards such as hot dishes, harsh solvents and abrasives. Cleaning should be done with a soft lint free cotton cloth dampened with water or furniture polish. On highly used surfaces we recommend applying a quality paste wax which should be used on a regular basis to provide additional protection from scratches and spills. How often you apply the wax depends on how much wear the furniture receives.

Part List



OWNER MANUAL

Product Dimensions: W 55.11" x D 15.66" x H 27.55"




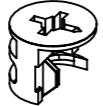




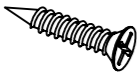
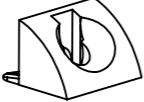

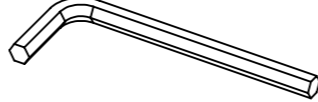

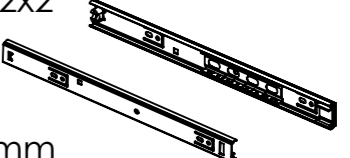
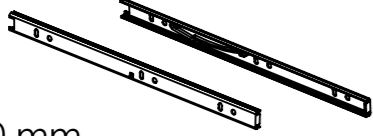

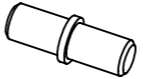
WARNING


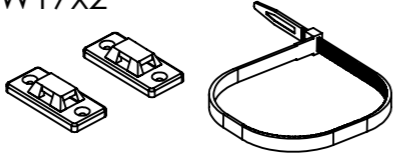
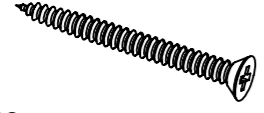

This product is intended for use with a
FLAT SCREEN TV ONLY
Maximum Screen Size: 65 inches
Top Weight Limit: 60 lbs
Shelf Load Limit: 18 lbs
Drawer Load Limit: 6 lbs
Use with heavier televisions may result in
instability causing tip over resulting in death
or Serious injury.

WARNING

Death or serious injury may occur
when children climb on audio
and/or video equipment furniture.
A remote control or toys placed on
the furnishing may encourage a
child to climb on the furnishing and
as a result the furnishing may tip
over on to the child

Hardware List

<p>HW1x40</p>  <p>Ø6x32 mm</p>	<p>HW2x40</p>  <p>Ø15x12 mm</p>	<p>HW3x4</p>  <p>Ø6x30 mm</p>	<p>HW4x46</p>  <p>Ø8x32 mm</p>	<p>HW5x18</p>  <p>Ø6x50 mm</p>	<p>HW6x10</p>  <p>Ø7x32 mm</p>
<p>HW7x12</p>  <p>Ø4x19 mm</p>	<p>HW8x12</p> 	<p>HW9x38</p>  <p>Ø20 mm</p>	<p>HW10x1</p>  <p>L 4</p>	<p>HW11x16</p>  <p>Ø6x12 mm PH</p>	<p>HW12x2</p>  <p>300 mm</p>
<p>HW13x2</p>  <p>300 mm</p>	<p>HW14x1</p>  <p>1365 mm</p>	<p>HW15x8</p>  <p>Ø5x16 mm</p>			

Anti-tip restraint pack	
<p>HW16x4</p>  <p>Ø6x15 mm</p>	<p>HW17x2</p> 
<p>HW18x4</p>  <p>Ø10x50 mm</p>	<p>HW19x4</p>  <p>Ø8x35 mm</p>

Part List & HW

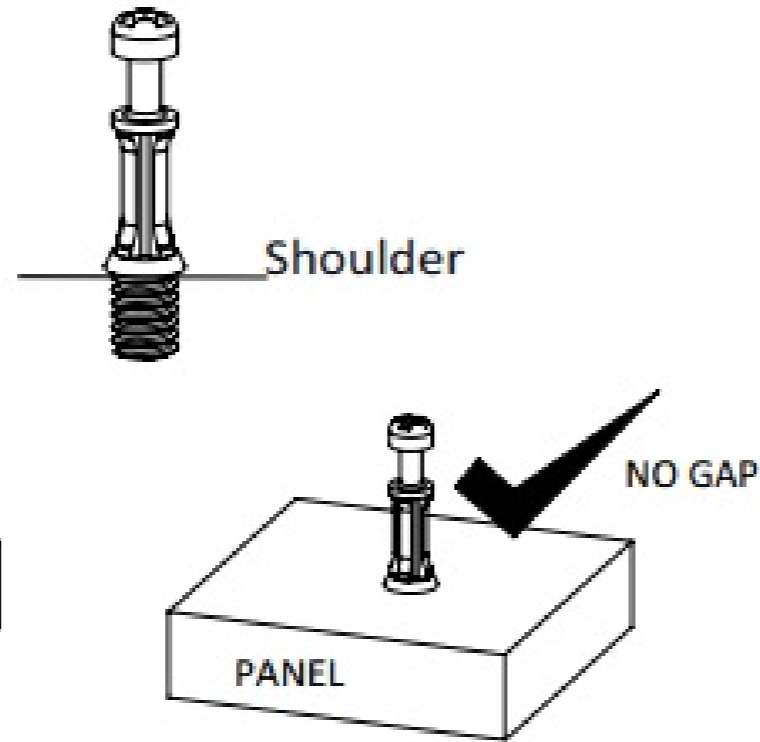
Piece	Description	Qty	Carton Call
1	Center Panel - Right	1	2 of 2
2	Fixed Shelf	1	2 of 2
3	Front Fixed Shelf	1	2 of 2
4	Center Panel - Left	1	2 of 2
5	Top Panel	1	1 of 2
6	Side Panel - Right	1	2 of 2
7	Plinth Front	2	2 of 2
8	Side Panel - Left	1	2 of 2
9	Divider - Right	1	2 of 2
10	Divider - Left	1	2 of 2
11	Back Panel - Upper	1	1 of 2
12	Back Panel - Lower	1	1 of 2
13	Door Panel Left/Right	2	1 of 2
14	Bottom Panel	1	2 of 2
15	Frame Leg - Top	1	1 of 2
16	Center Leg	1	1 of 2
17	Frame Leg - Bottom	1	1 of 2
18	Legs	4	1 of 2
19	Drawer Back	2	2 of 2
20	Drawer Side - Right	2	1 of 2
21	Drawer Side - Left	2	1 of 2
22	Drawer Base Support	2	2 of 2
23	Drawer Base	2	2 of 2
24	Front Drawer	2	2 of 2
25	Adjustable Shelf Left/Right	2	1 of 2

Piece	Description	Qty	Carton Call
HW1	Cambolt	40	1 of 2
HW2	Camlock	40	1 of 2
HW3	Wooden Dowel Small	4	1 of 2
HW4	Wooden Dowel Big	46	1 of 2
HW5	Screw M6 x 50 mm	18	1 of 2
HW6	Screw M7 x 32 mm	10	1 of 2
HW7	Screw M4 x 19 mm	12	1 of 2
HW8	Plastic Stopper	12	1 of 2
HW9	Cover Cap Sticker	38	1 of 2
HW10	Allen Key	1	1 of 2
HW11	Screw M 6 x 12 mm (PH)	16	1 of 2
HW12	Metal Runner 1	2	1 of 2
HW13	Metal Runner 2	2	1 of 2
HW14	List "H"	1	1 of 2
HW15	Metal Pin	8	1 of 2
HW16	Screw M6 x 15 mm	4	1 of 2
HW17	Anti-tip	2	1 of 2
HW18	Screw M10 x 50 mm	4	1 of 2
HW19	Fisher "S" 8	4	1 of 2

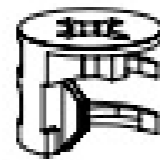
Special Tips for Fitting Minifix Cam (Cam-Lock), and Minifix Bolt (Cam-Bolts)

CAM-BOLT

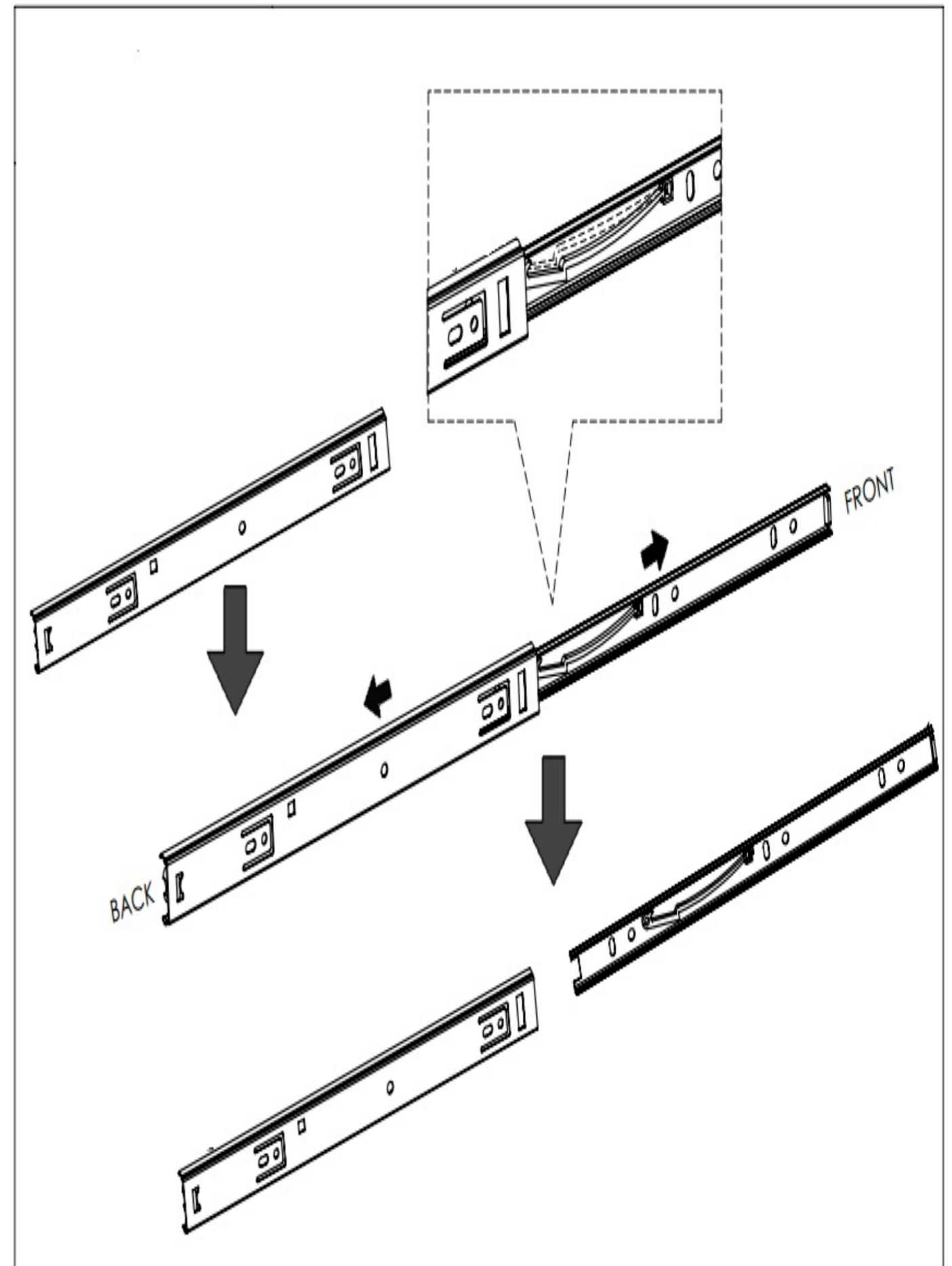
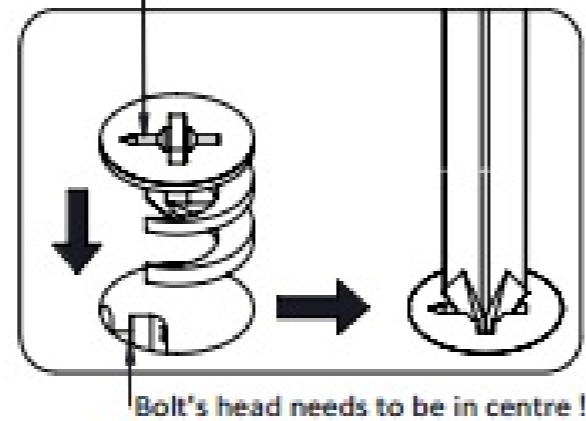
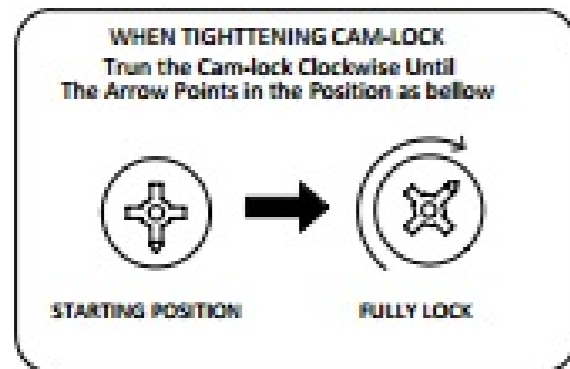
Tighten until shoulder is flush with panel. Do not overtighten or undertighten (see example below)



CAM-LOCK



See this Arrow Points !

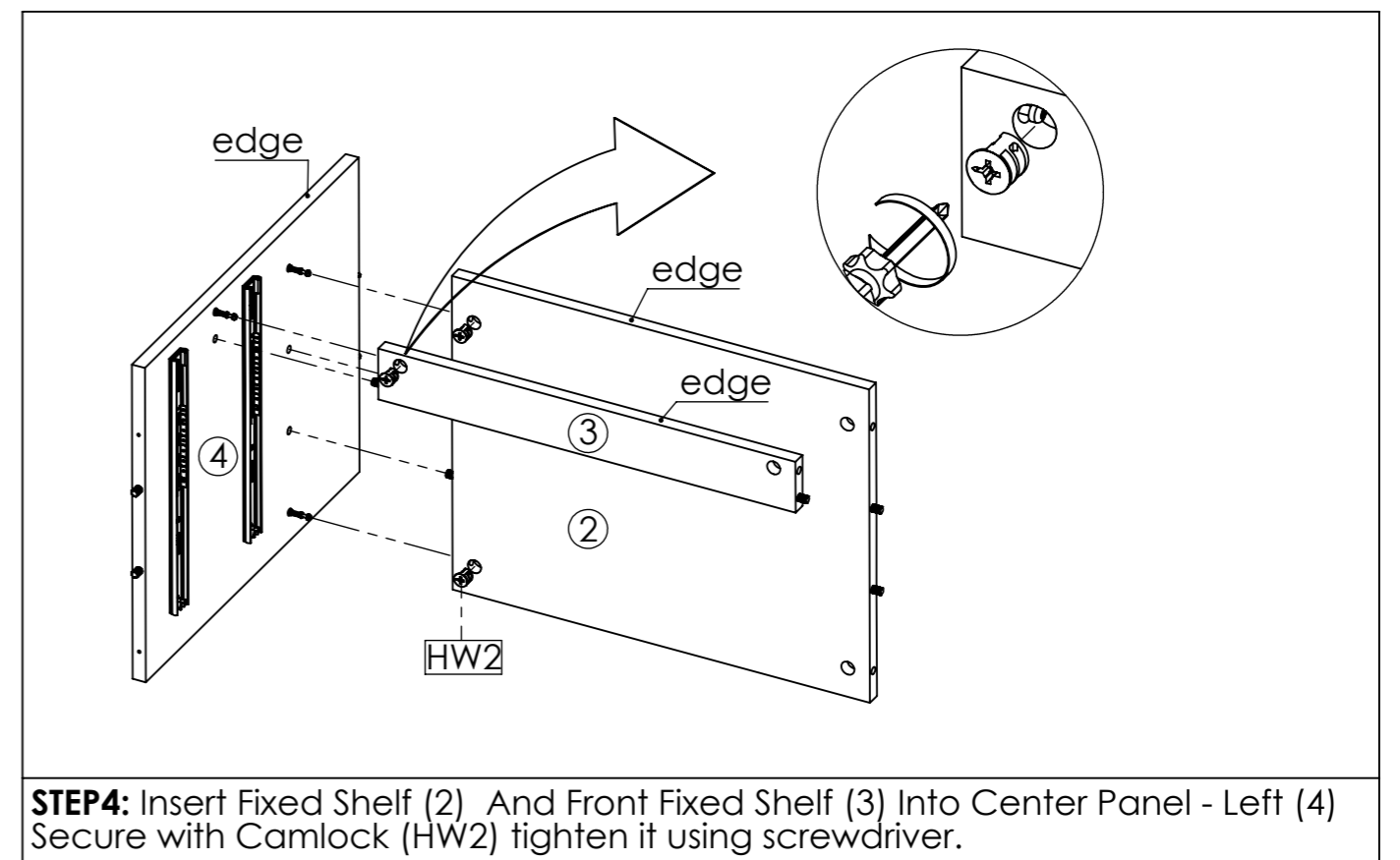
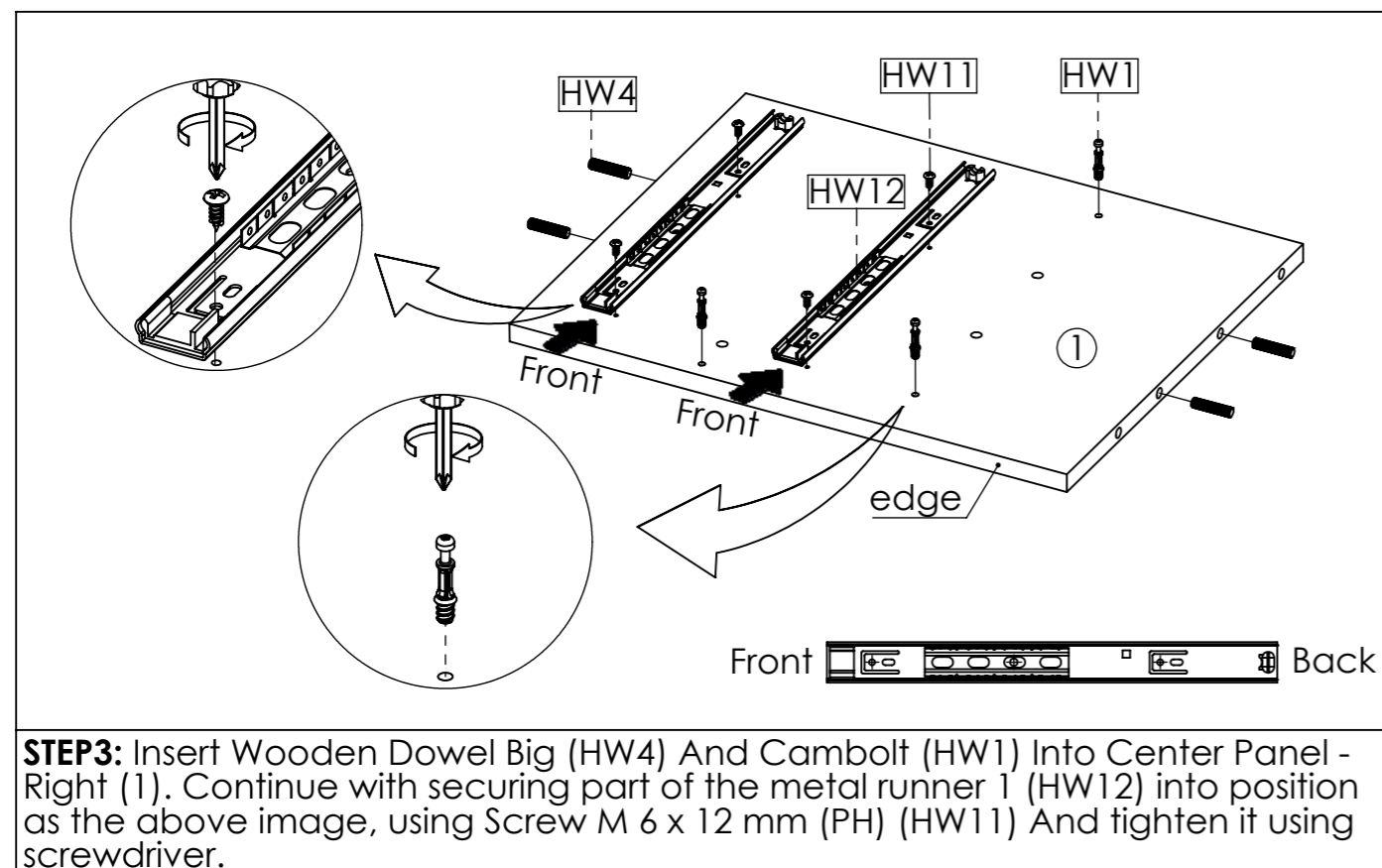
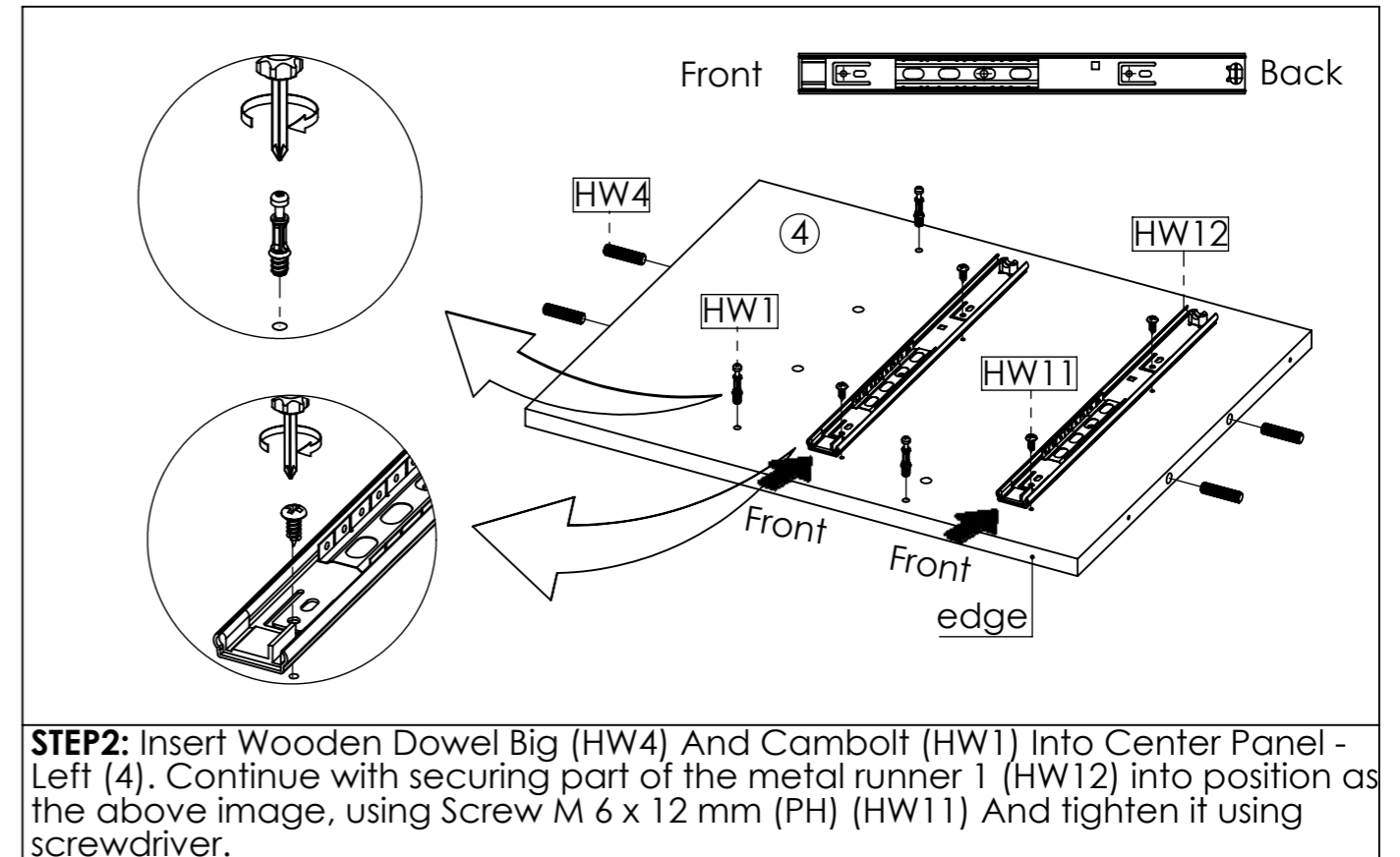
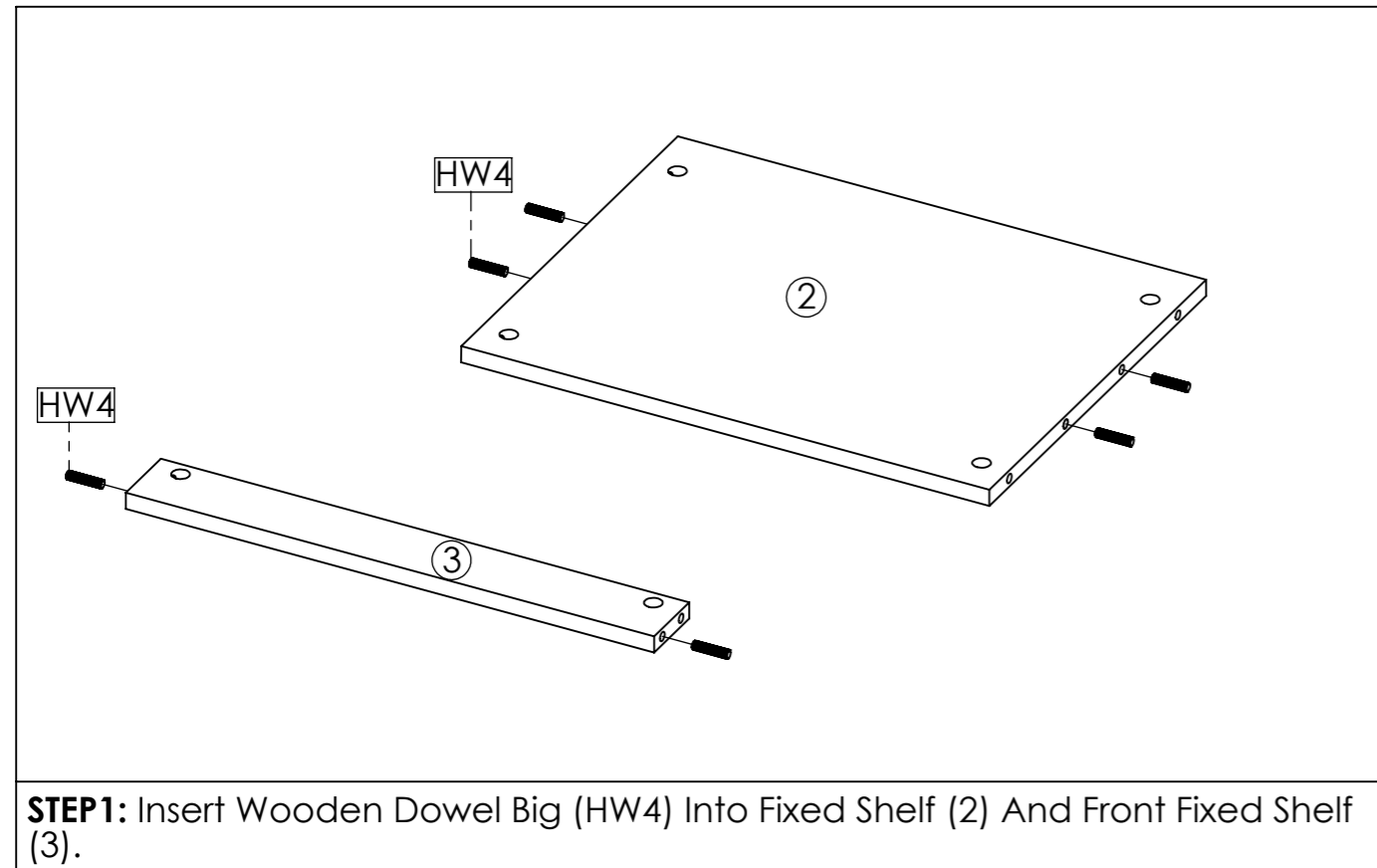


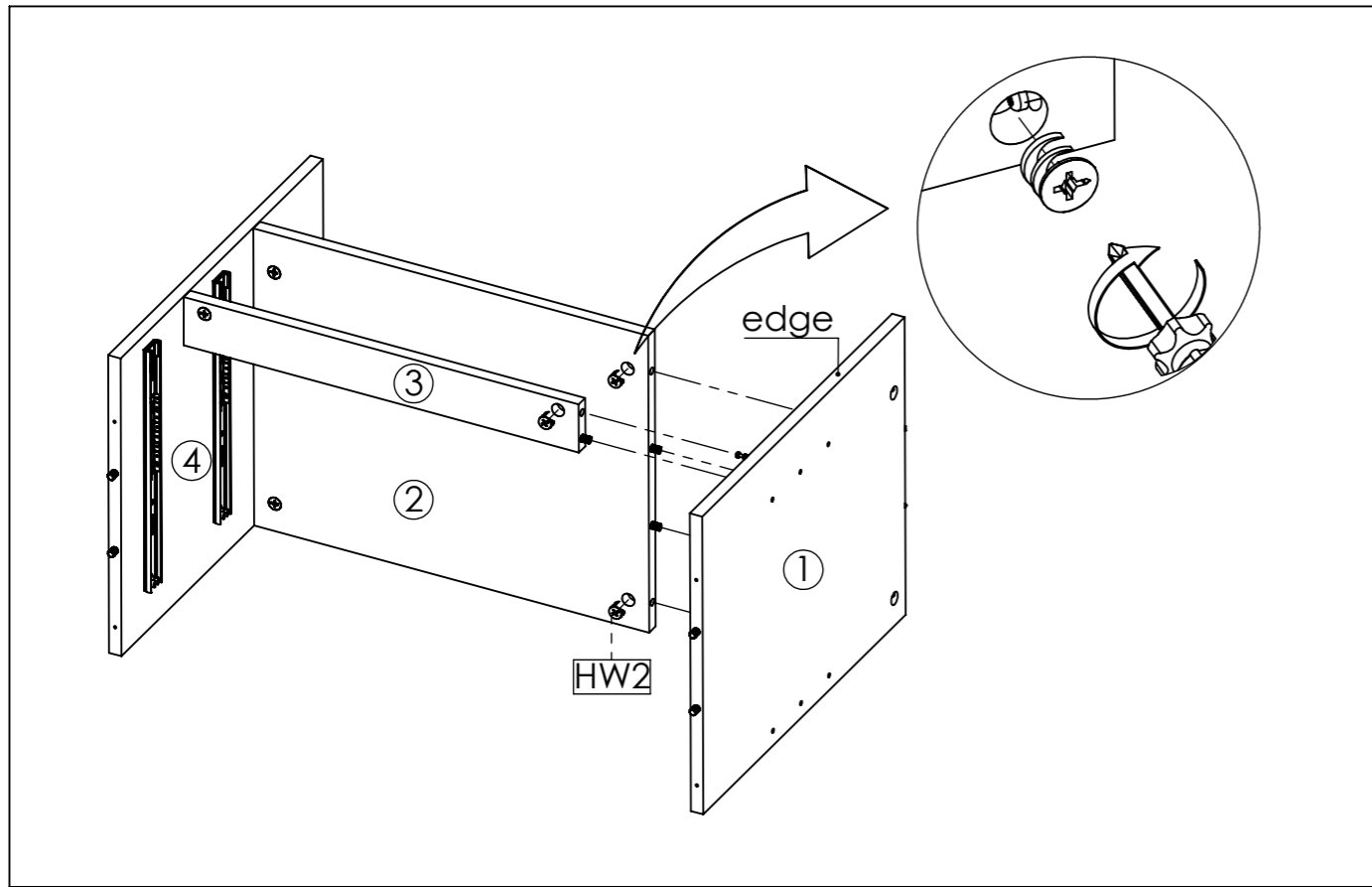
PREPARATION

Before beginning assembly of product, make sure all part are present. Compare part with part contents list and hardware contents list.

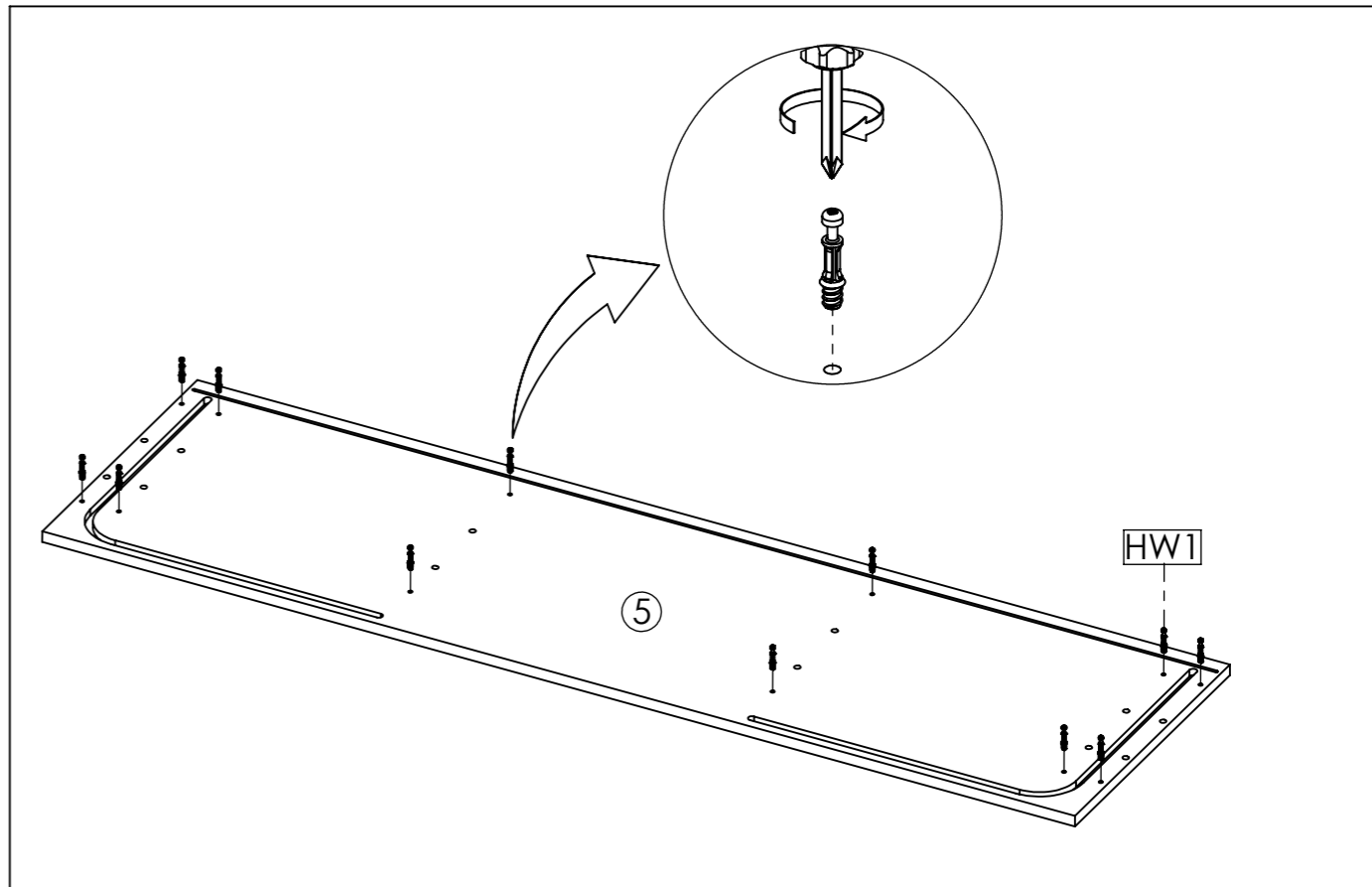
If any part is missing or damaged, do not attempt to assemble the product.

Estimated Assembly Time: 60 minutes.

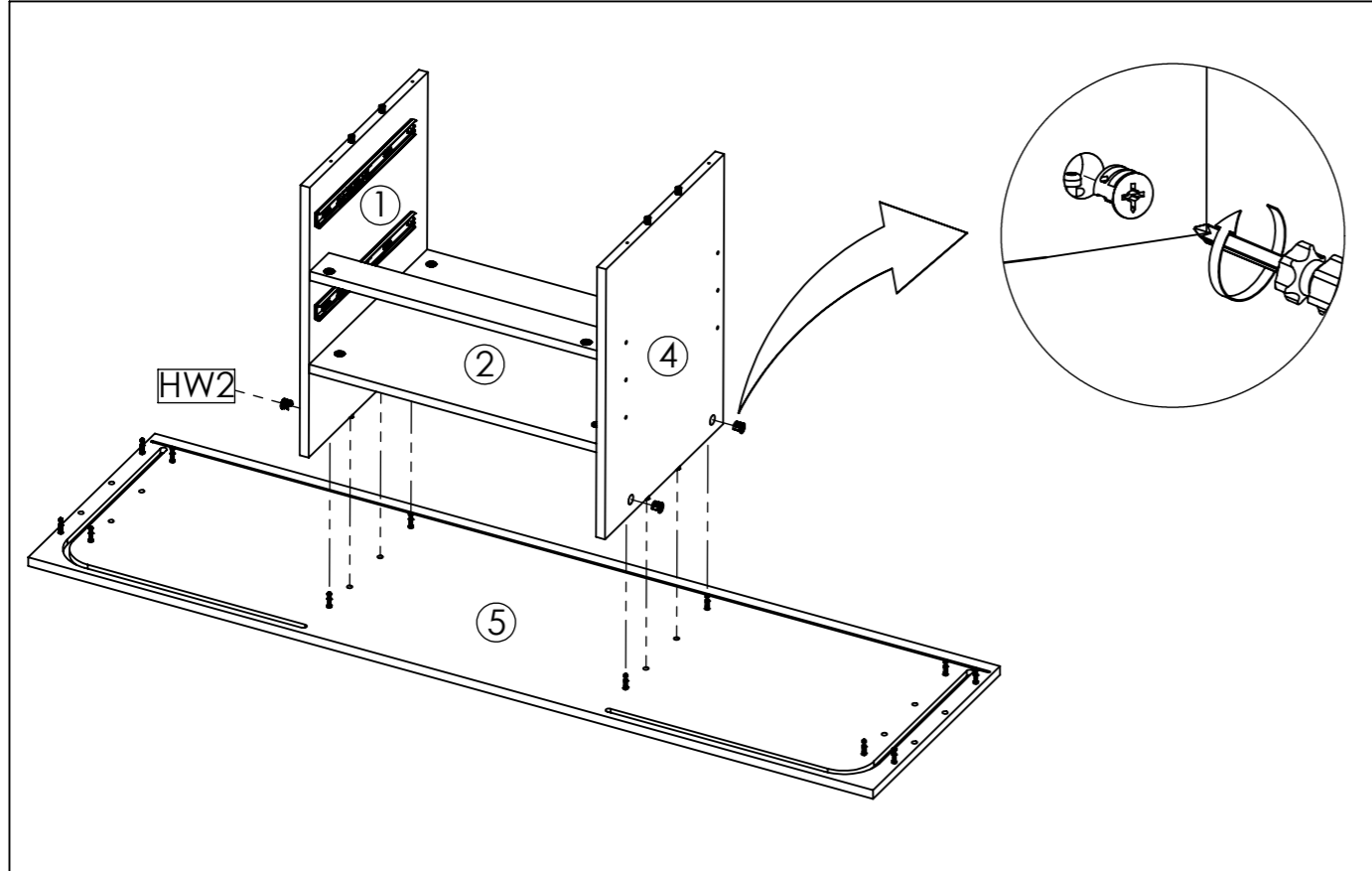




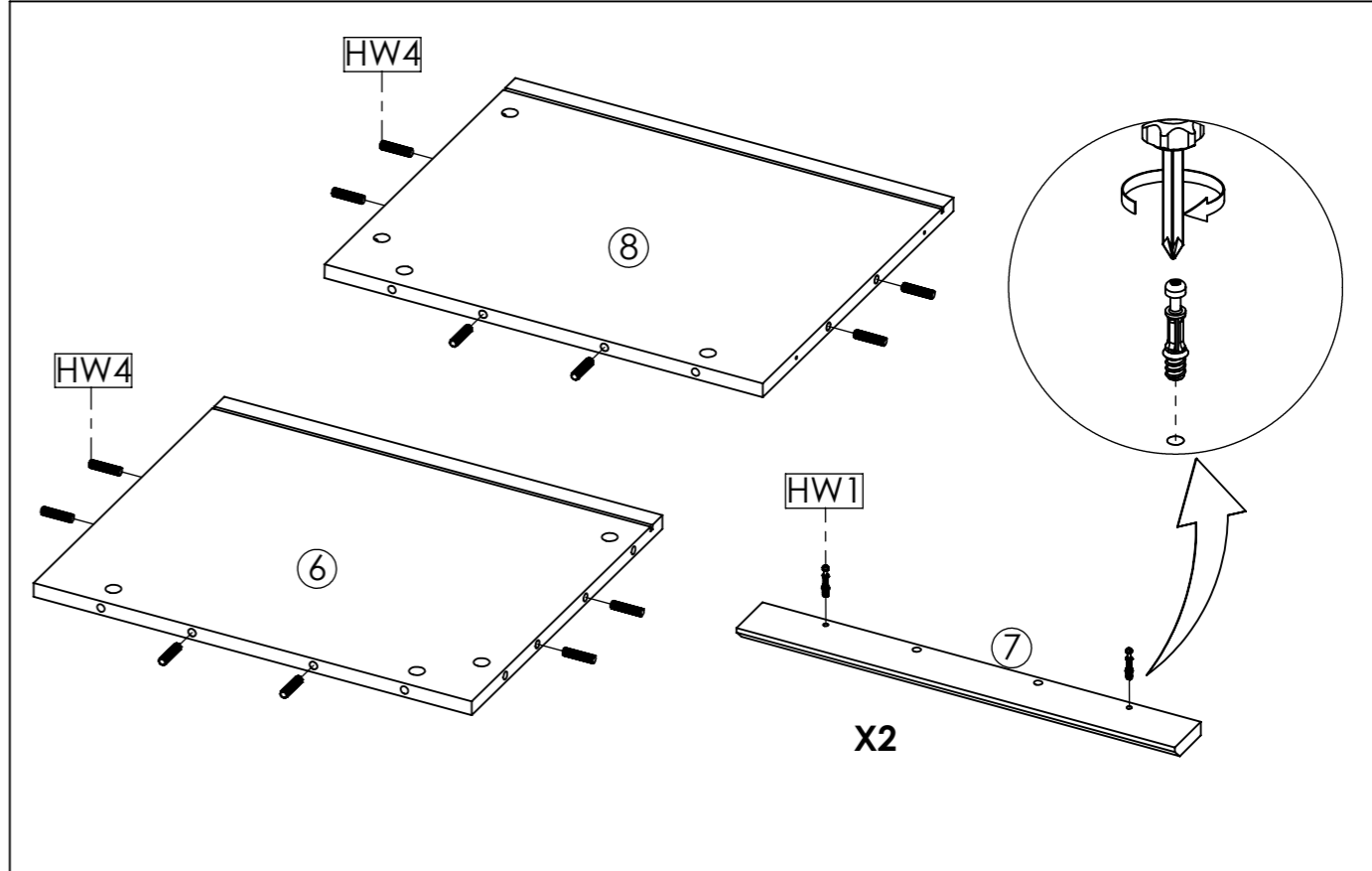
STEP5: Insert Center Panel - Right (1) Into Fixed Shelf (2) And Front Fixed Shelf (3) Secure with Camlock (HW2) tighten it using screwdriver.



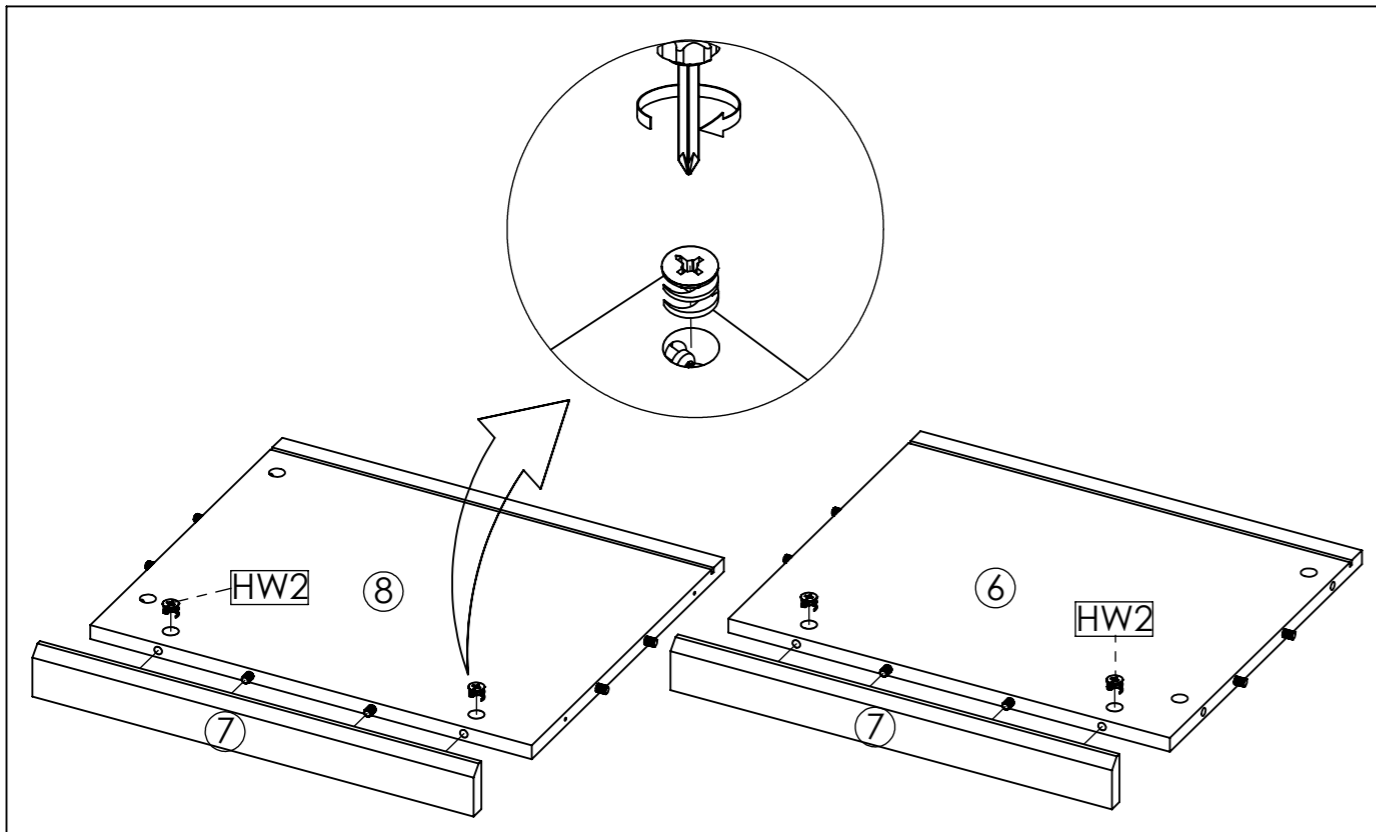
STEP6: Insert Cambolt (HW1) Into Top Panel (5)



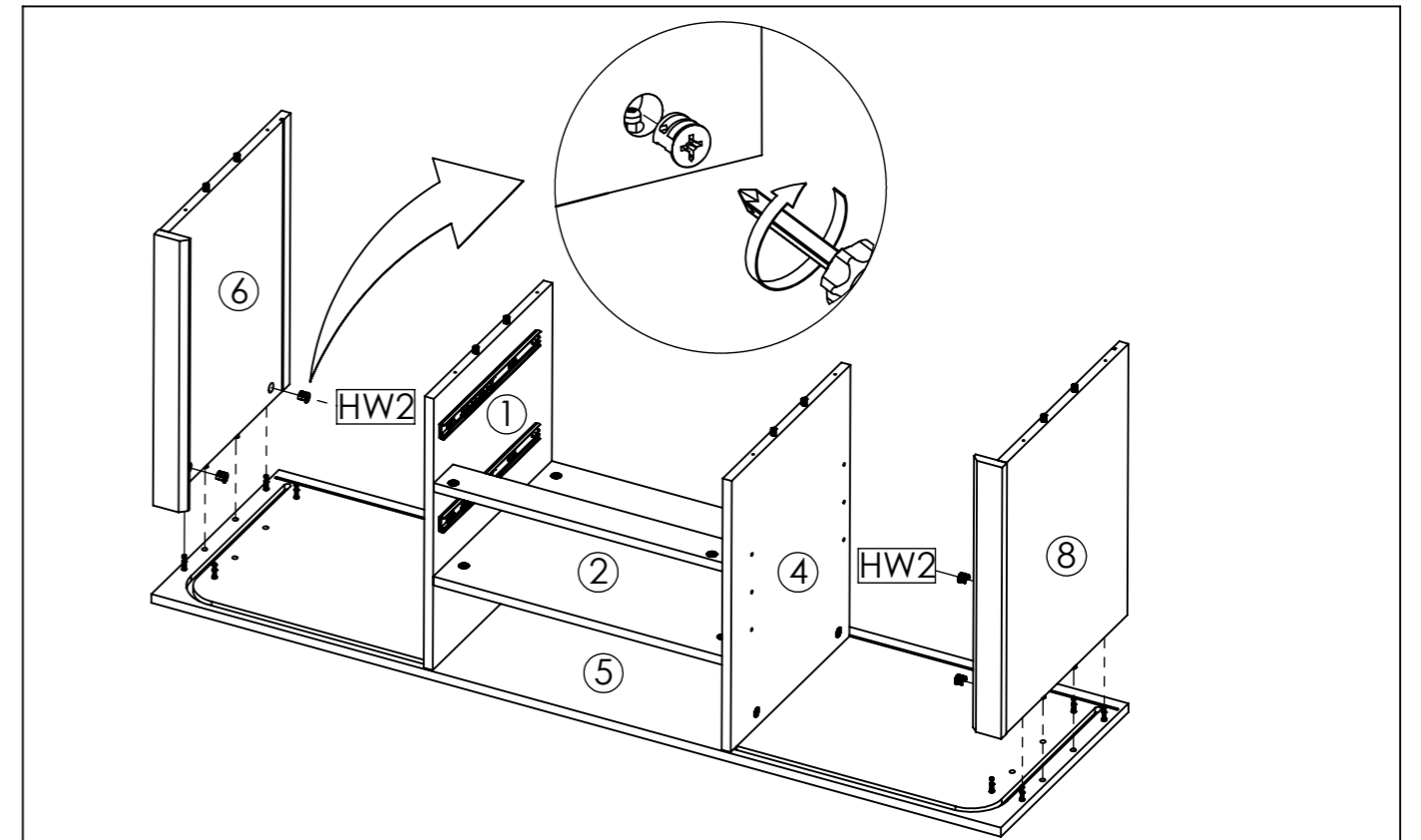
STEP7: Insert Center Panel - Right (1) And Center Panel - Left (4) Into Top Panel (5) Secure with Camlock (HW2) tighten it using screwdriver.



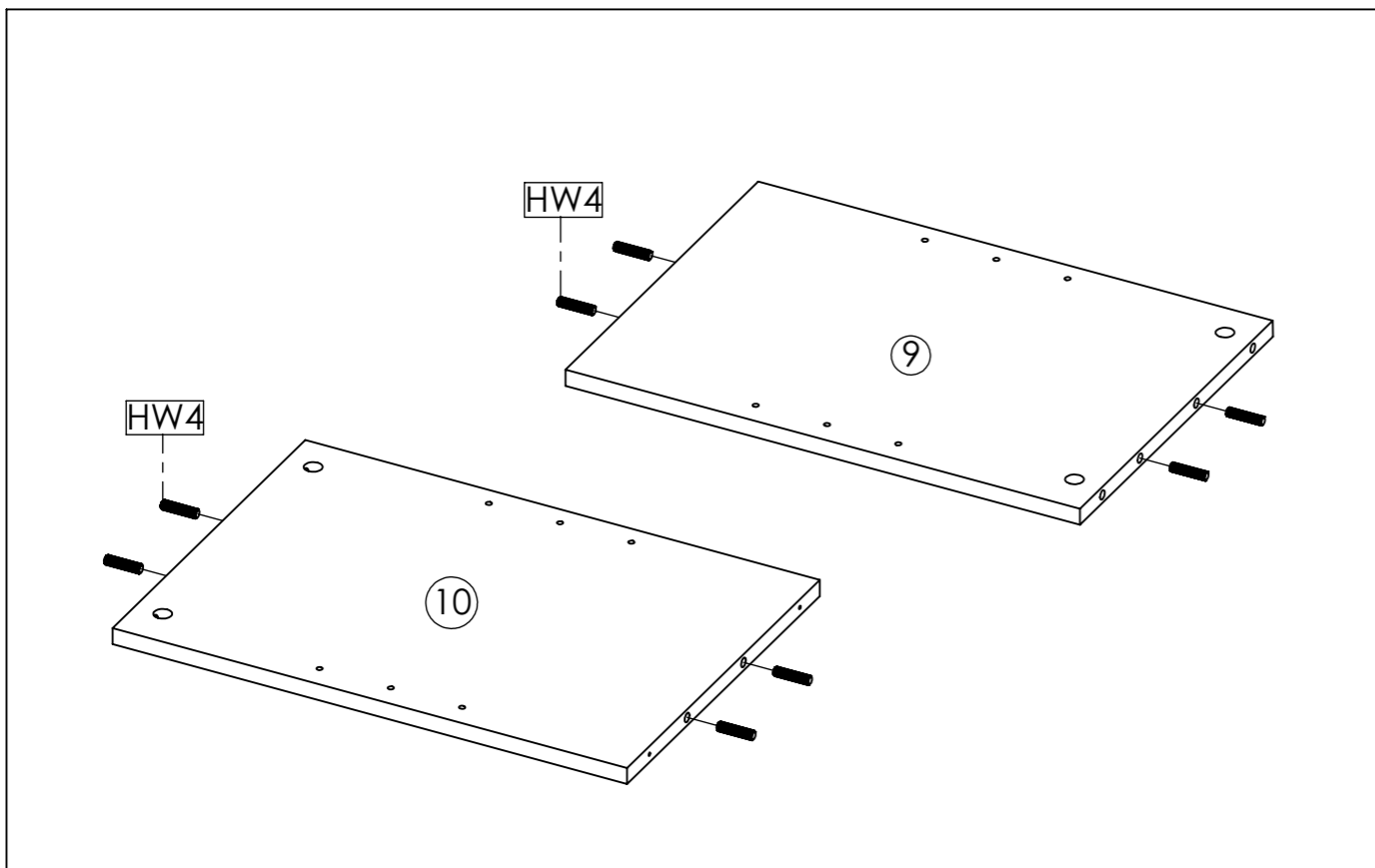
STEP8: Insert Wooden Dowel Big (HW4) Into Side Panel - Right (6) And Side Panel - Left (8). Insert Cambolt (HW1) Into Plinth - Front (7).



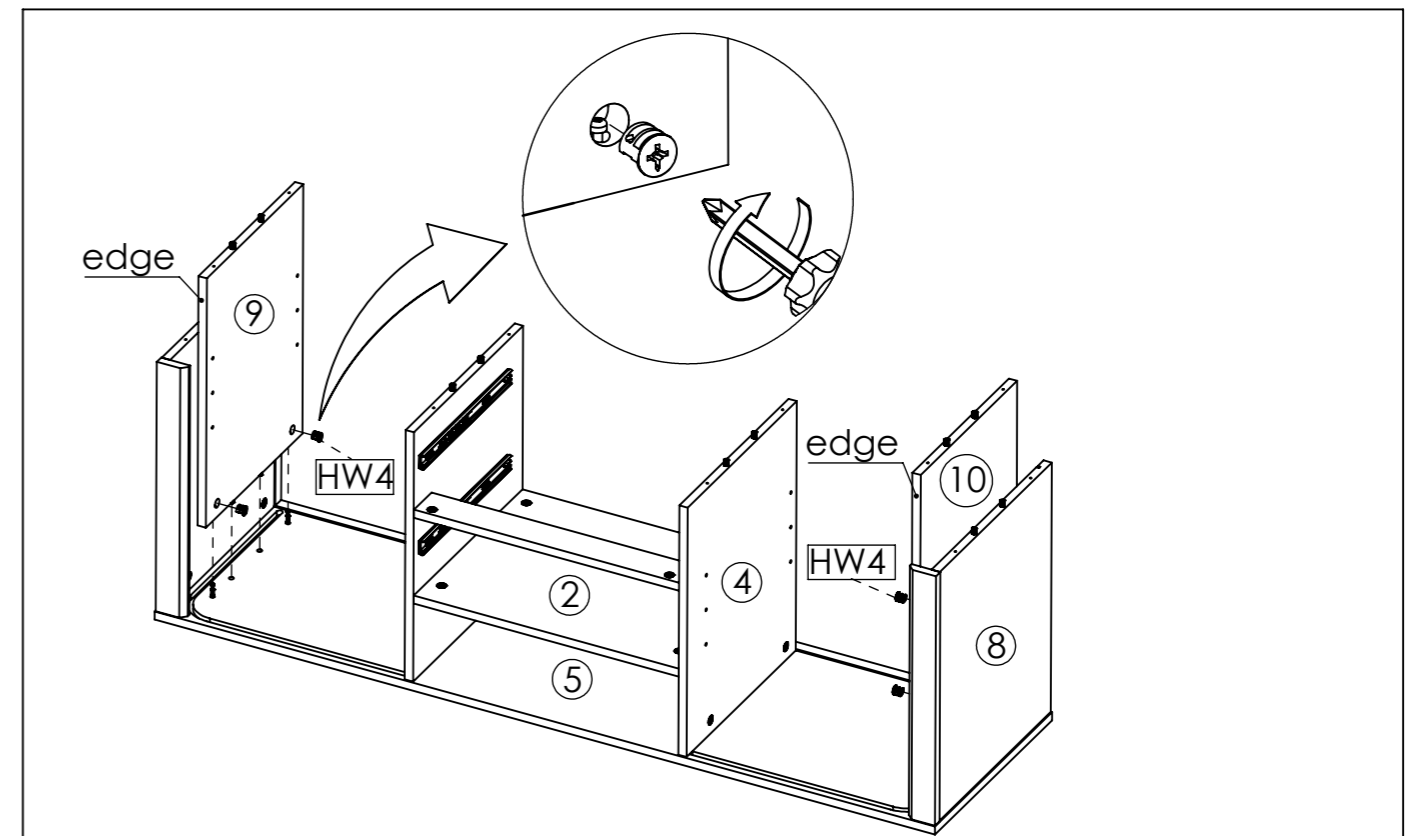
STEP9: Insert Plinth - Front (7) Into Side Panel - Right (6) Secure with Camlock (HW2) tighten it using screwdriver.
 Insert Plinth - Front (7) Into Side Panel - Left (8) Secure with Camlock (HW2) tighten it using screwdriver.



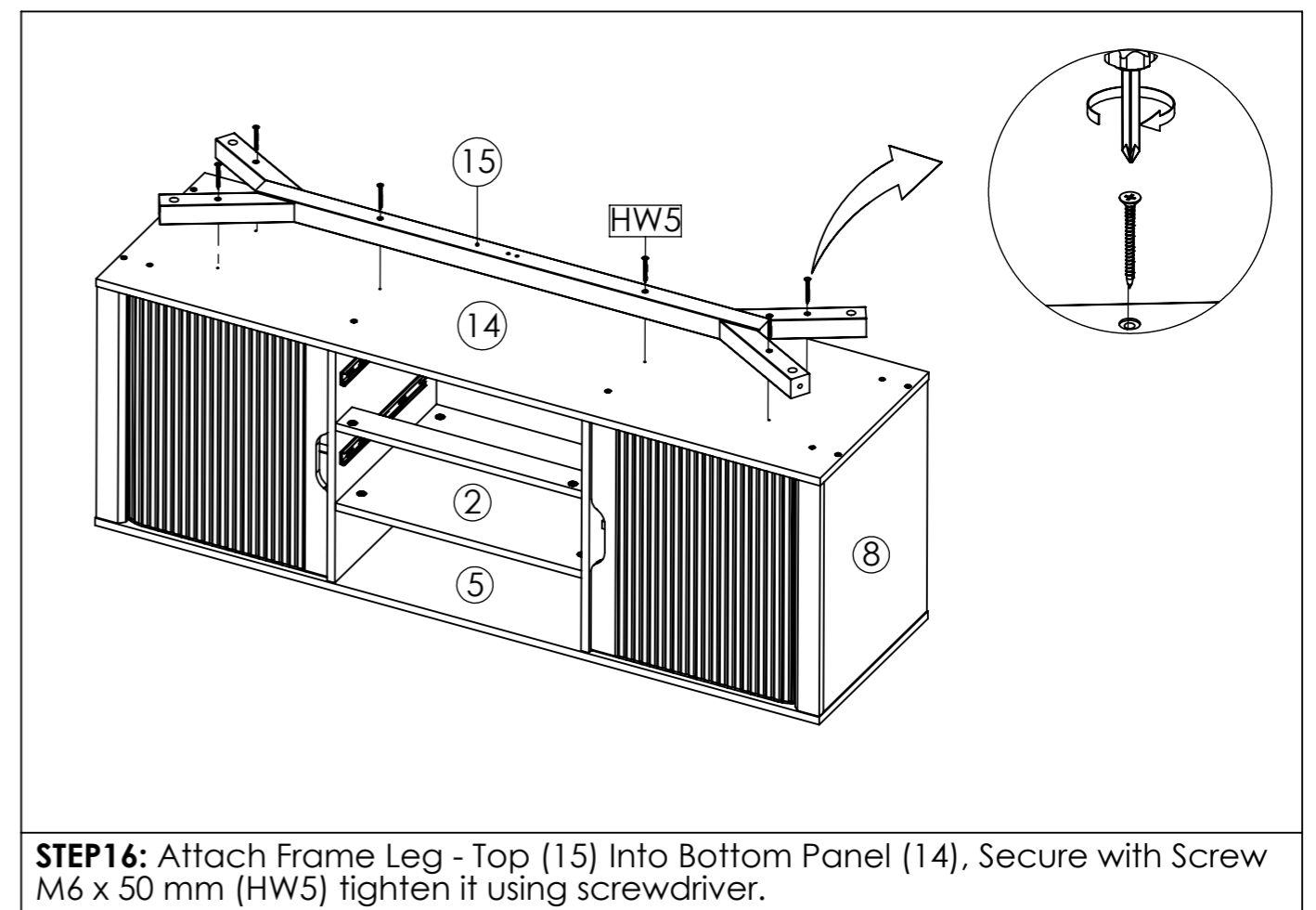
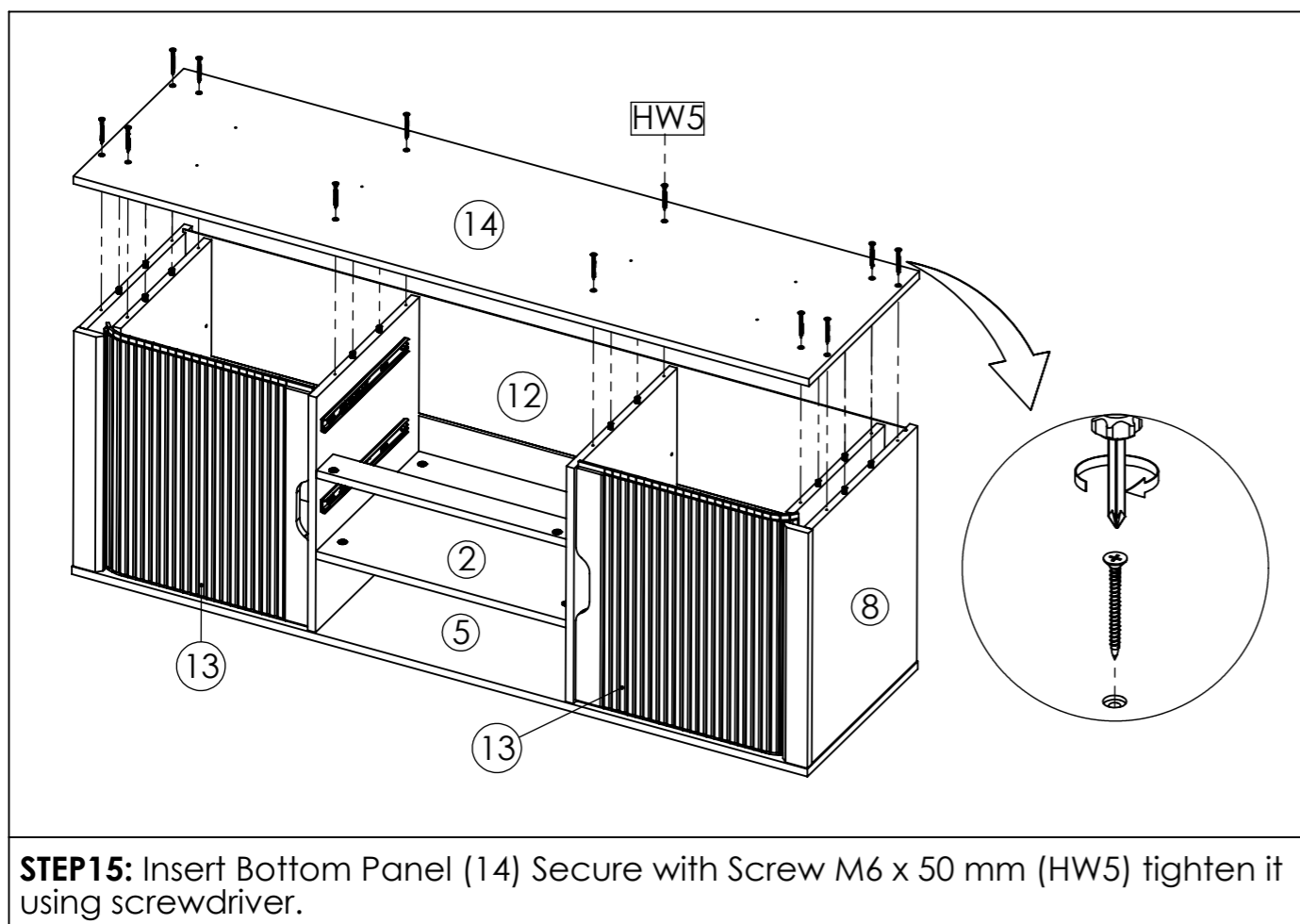
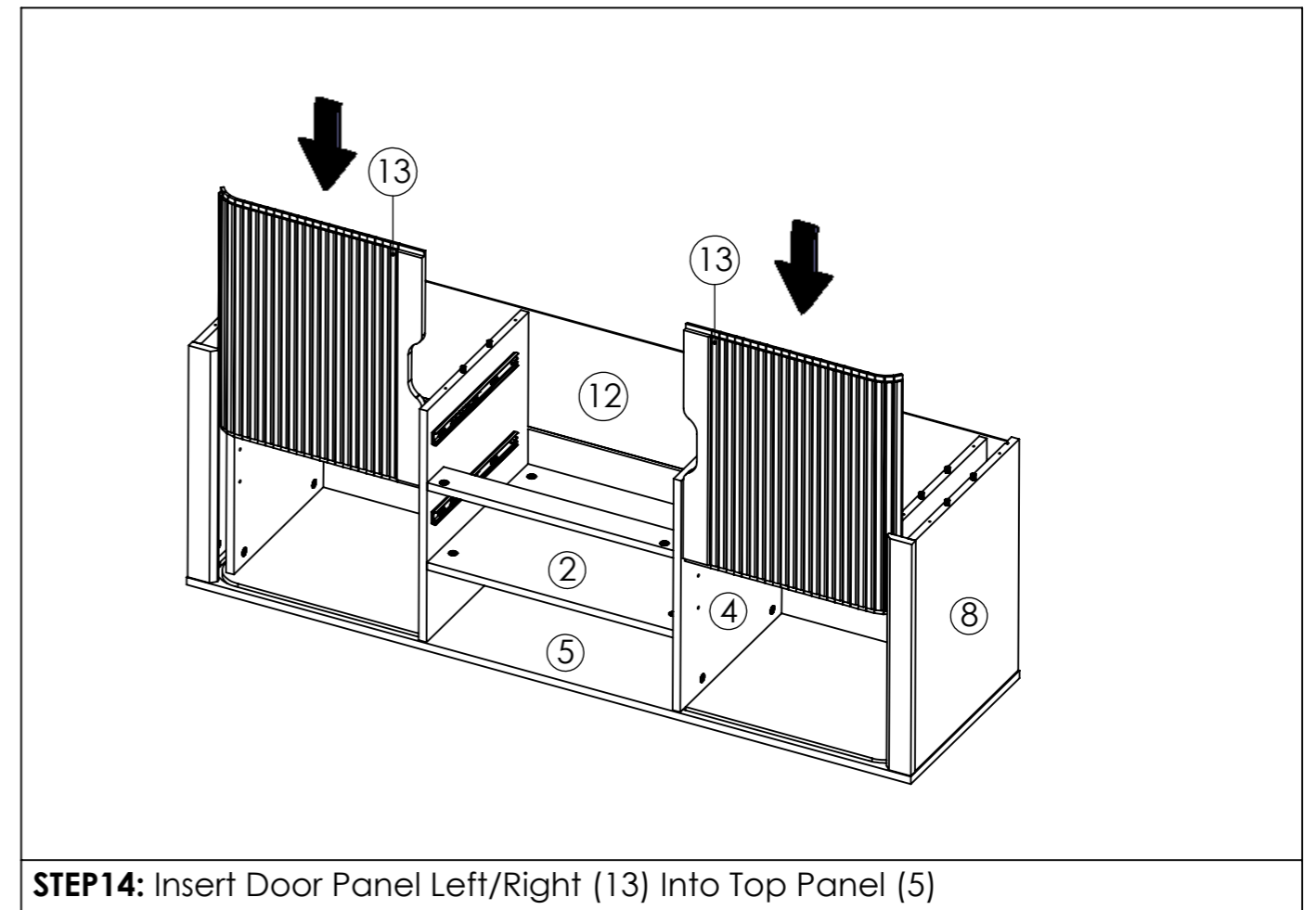
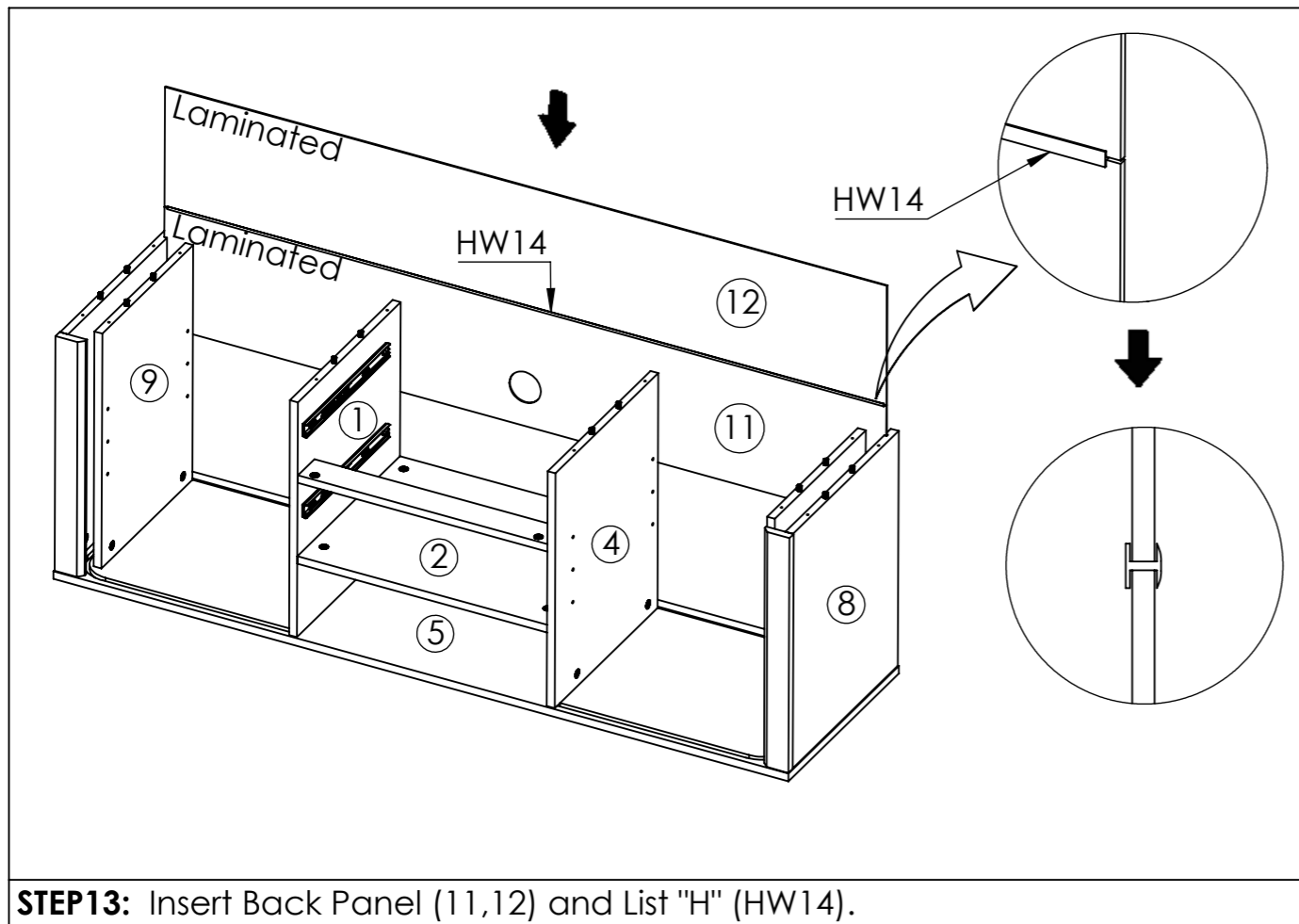
STEP10: Insert Side Panel - Right (6) And Side Panel - Left (8) Into Top Panel (5) Secure with Camlock (HW2) tighten it using screwdriver.

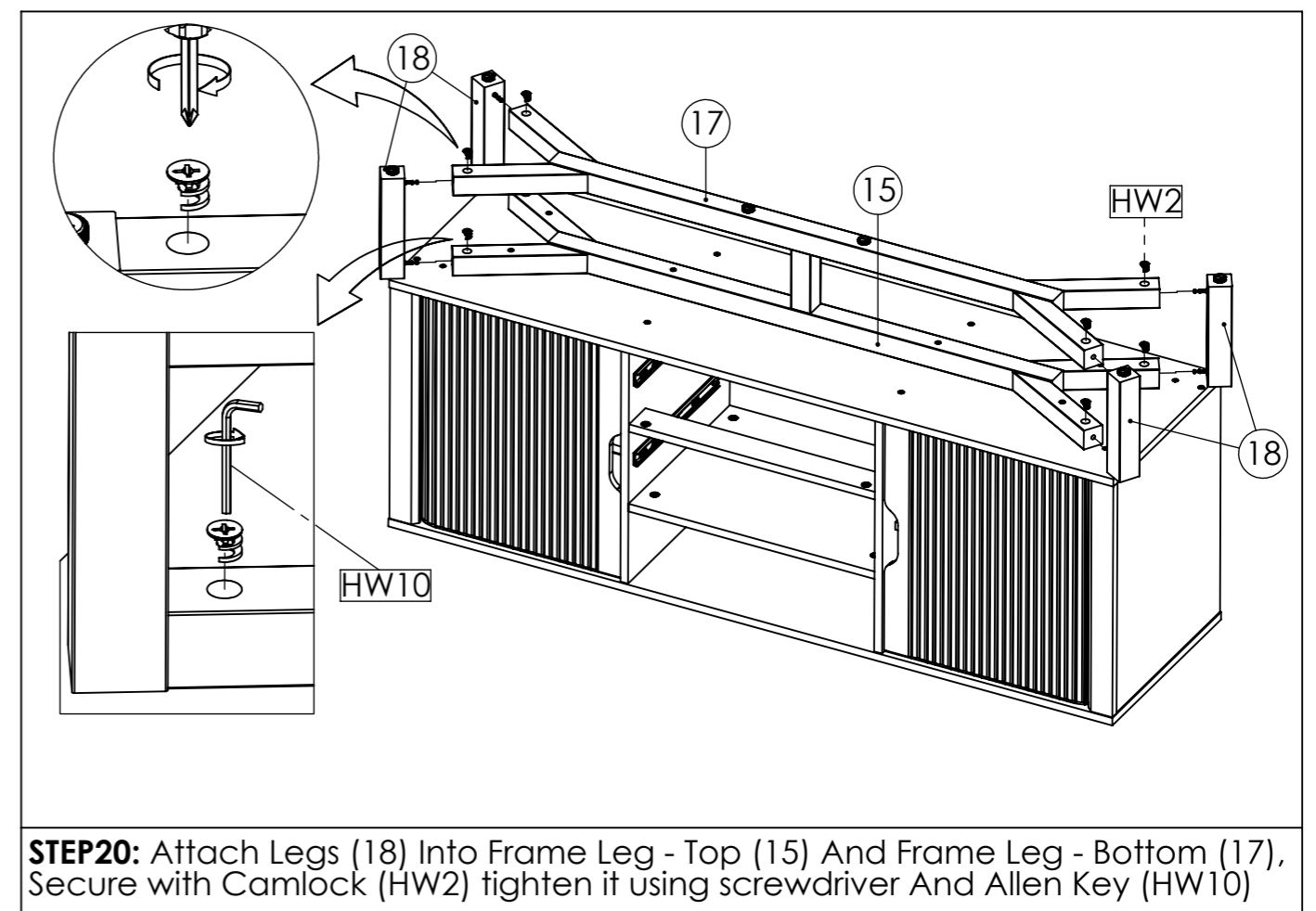
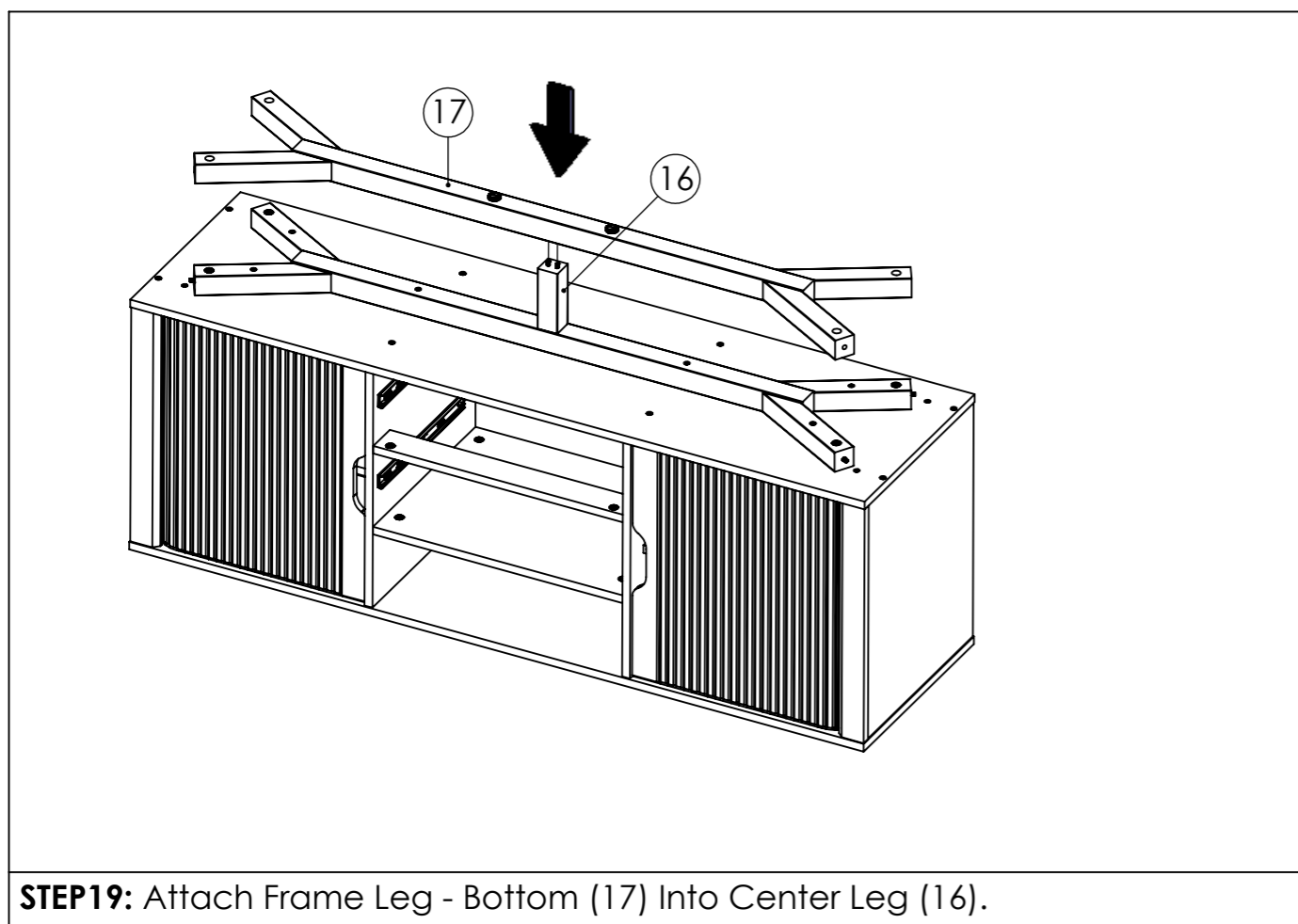
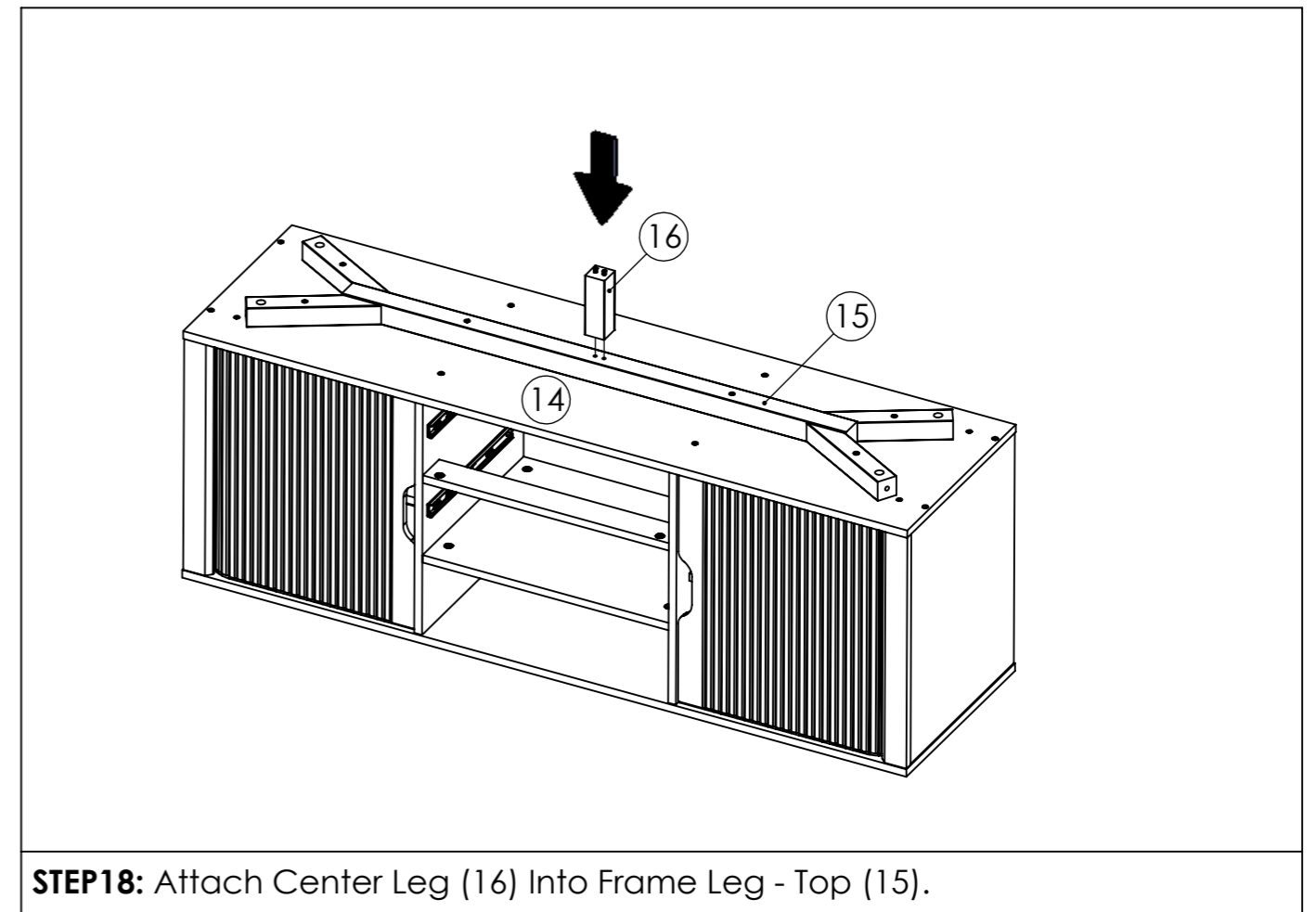
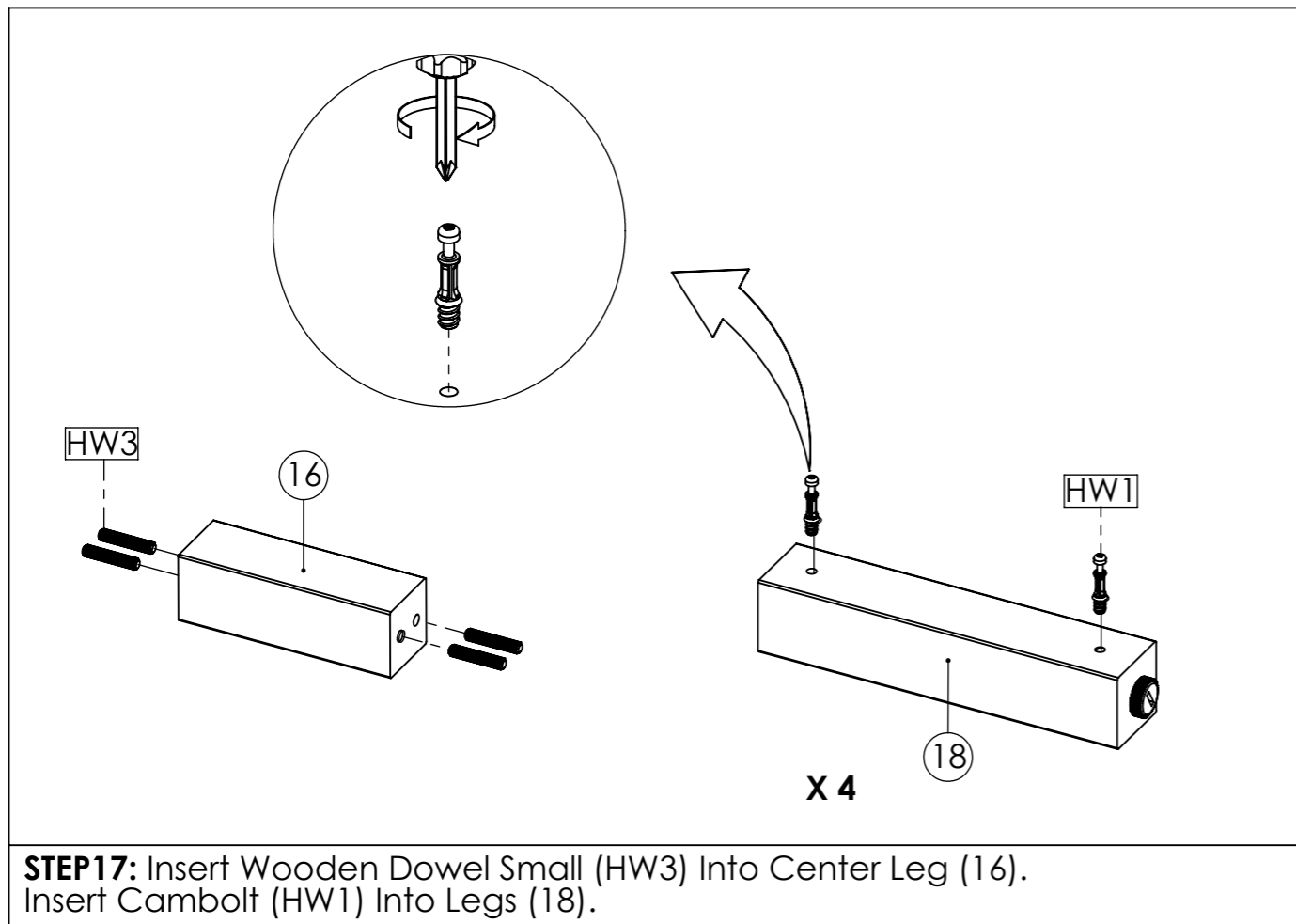


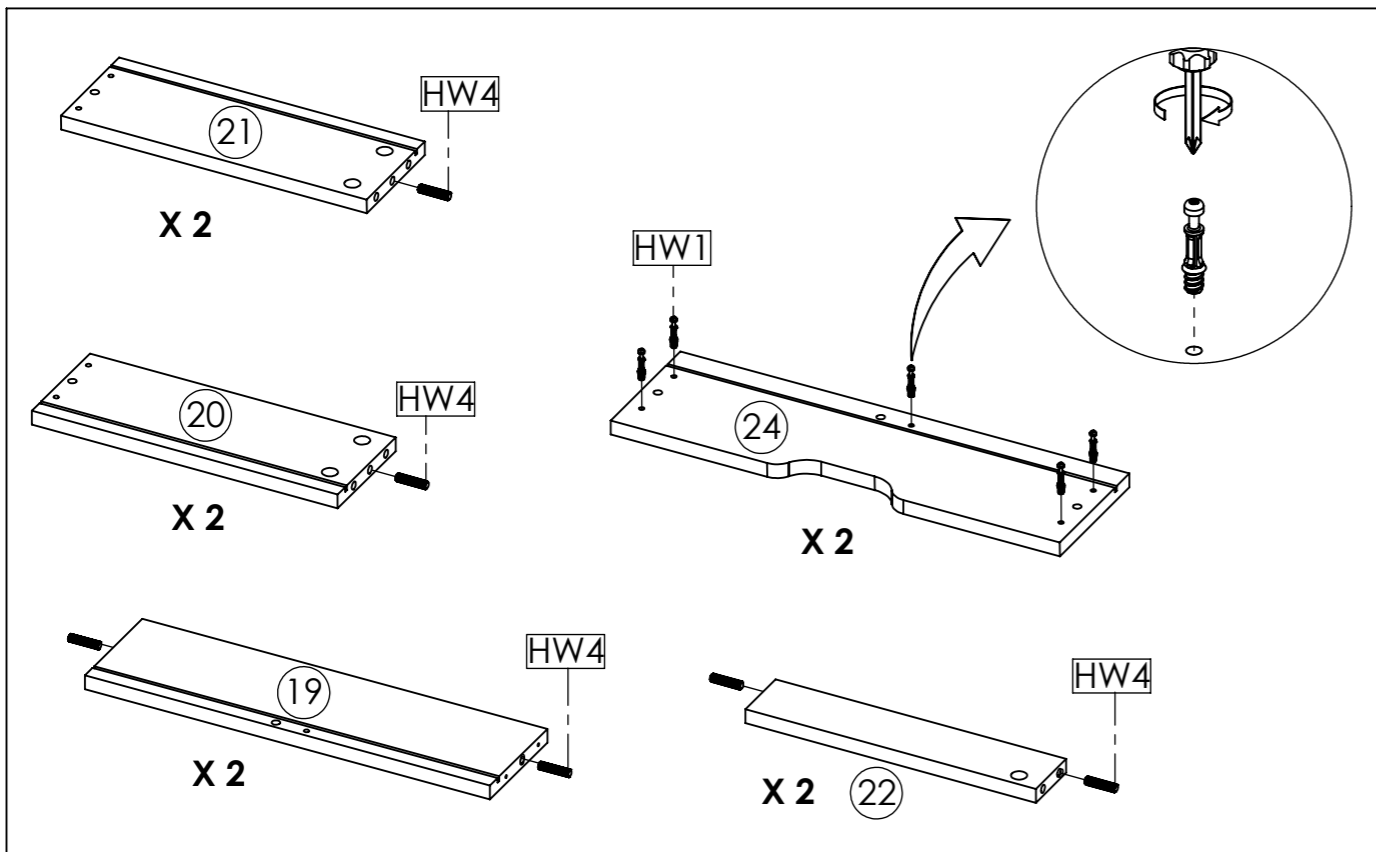
STEP11: Insert Wooden Dowel Big (HW4) Into Divider - Right (9) And Divider - Left (10).



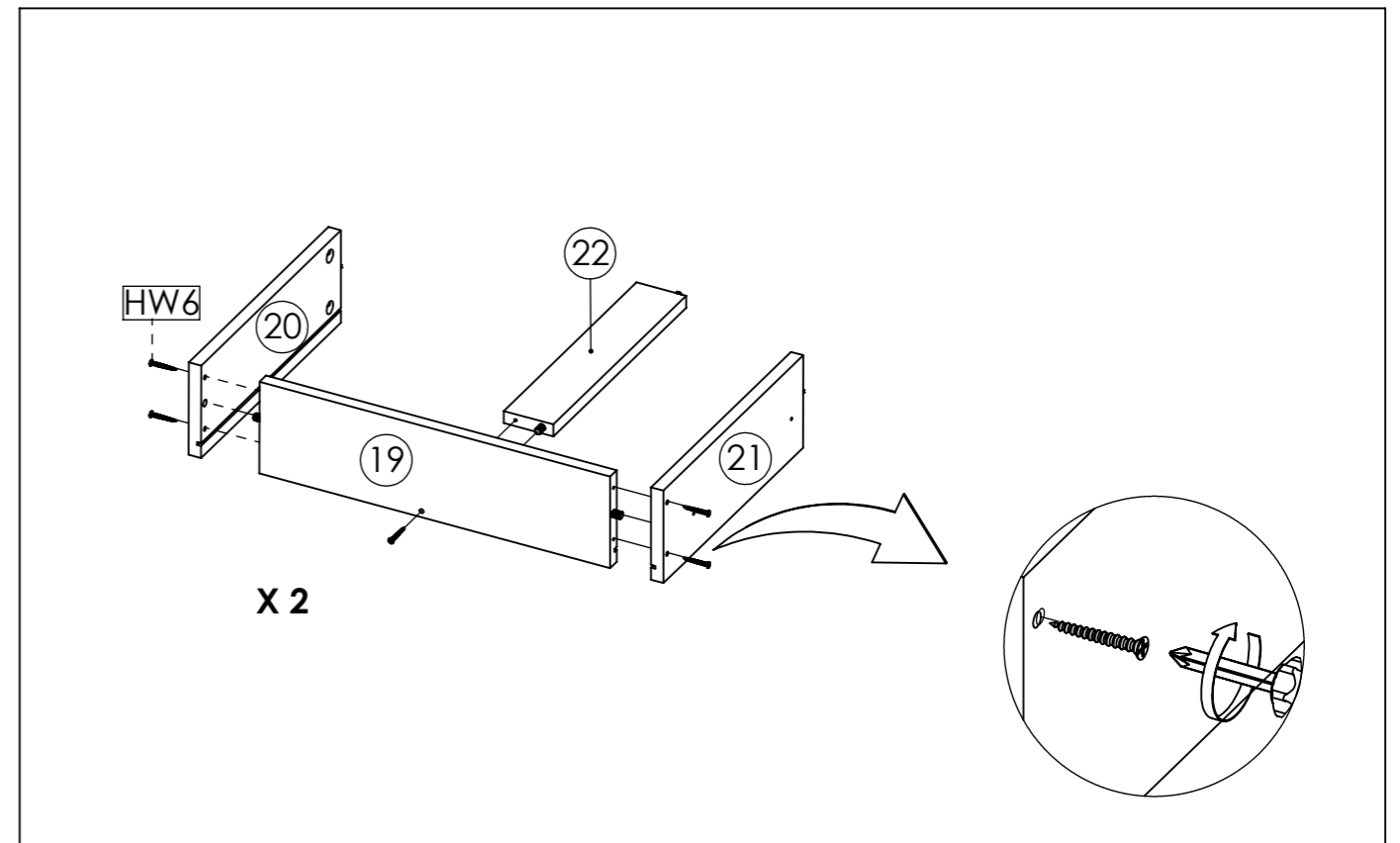
STEP12: Insert Divider - Right (9) And Divider - Left (10) Into Top Panel (5) Secure with Camlock (HW4) tighten it using screwdriver.



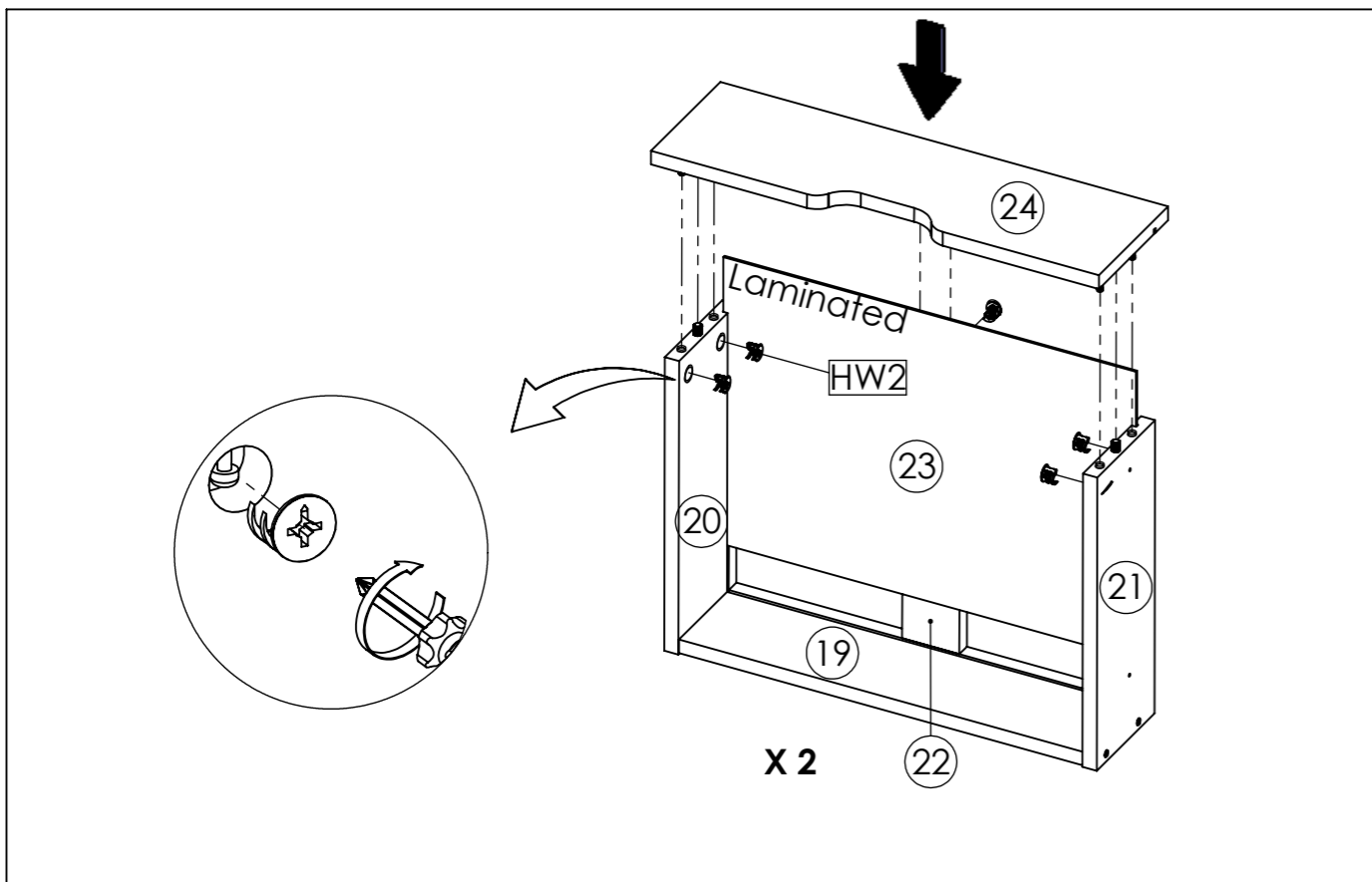




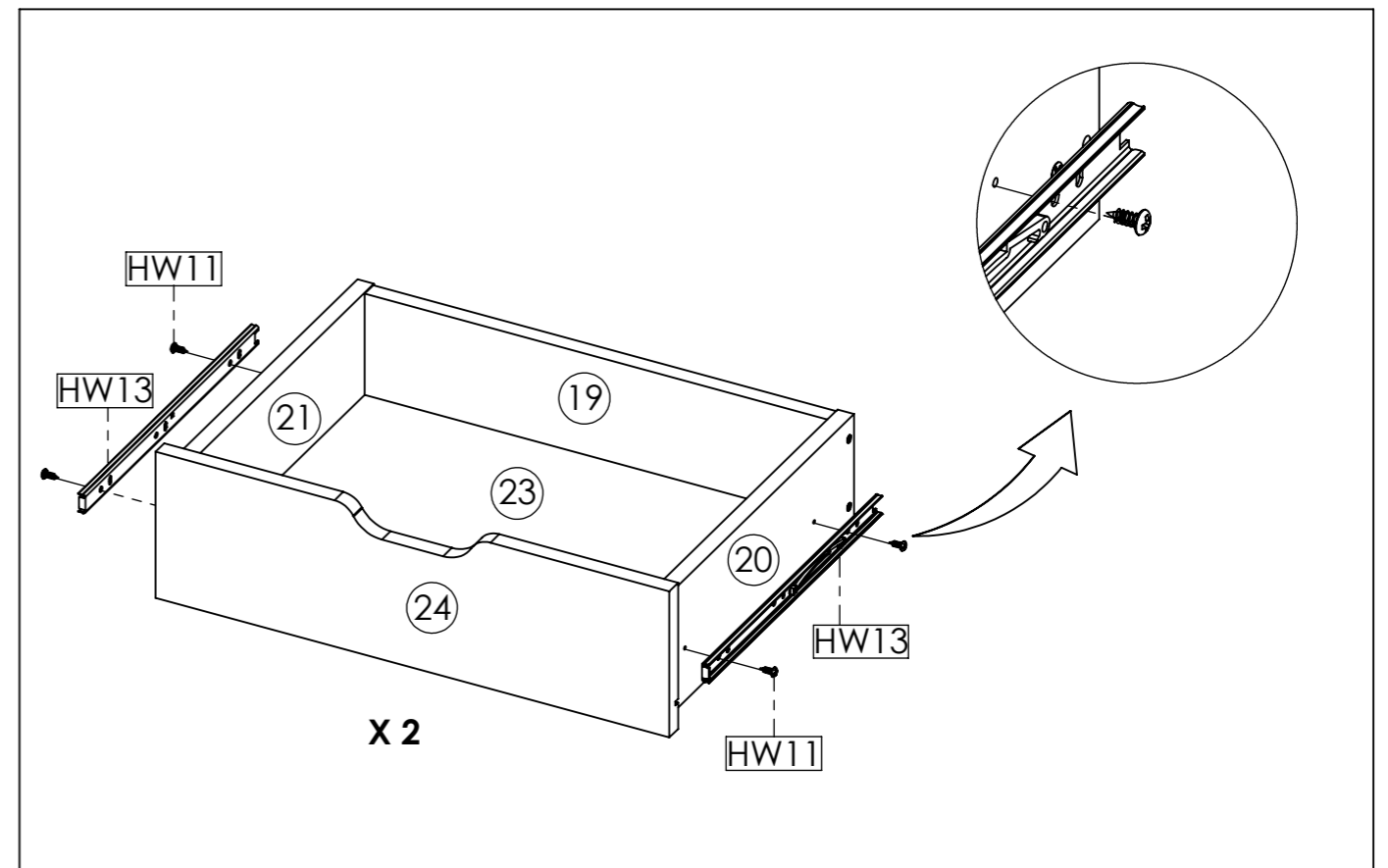
STEP21: Insert Cambolt (HW1) into front drawer (24), Insert Wooden Dowel Big (HW4) into drawer side - right (20), drawer side - left (21), drawer back (19), and drawer base support (22).



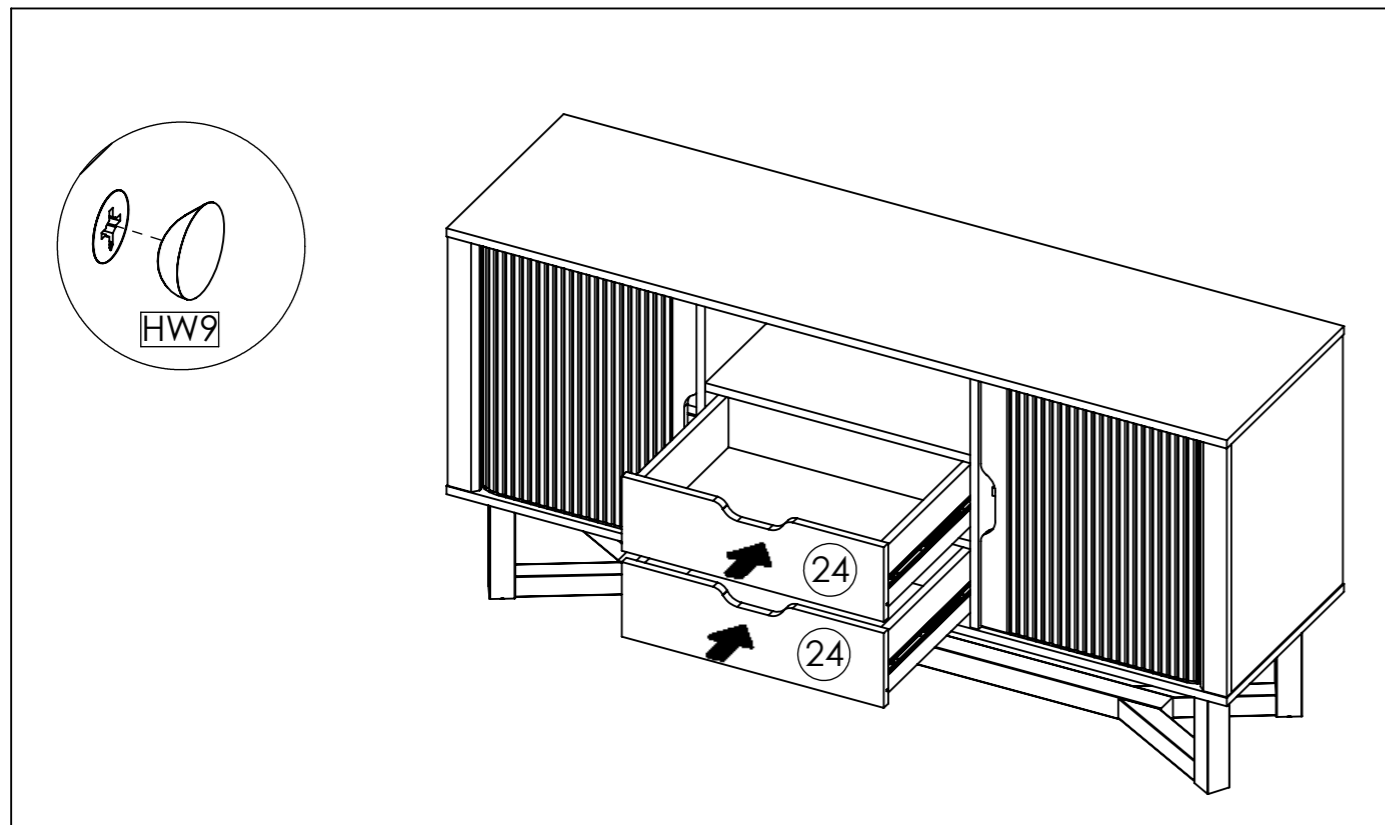
STEP22: Combine Drawers Side (20 & 21) and Drawer Base Support (22) into Drawer Back (19) secure with screw M7x32mm (HW6).



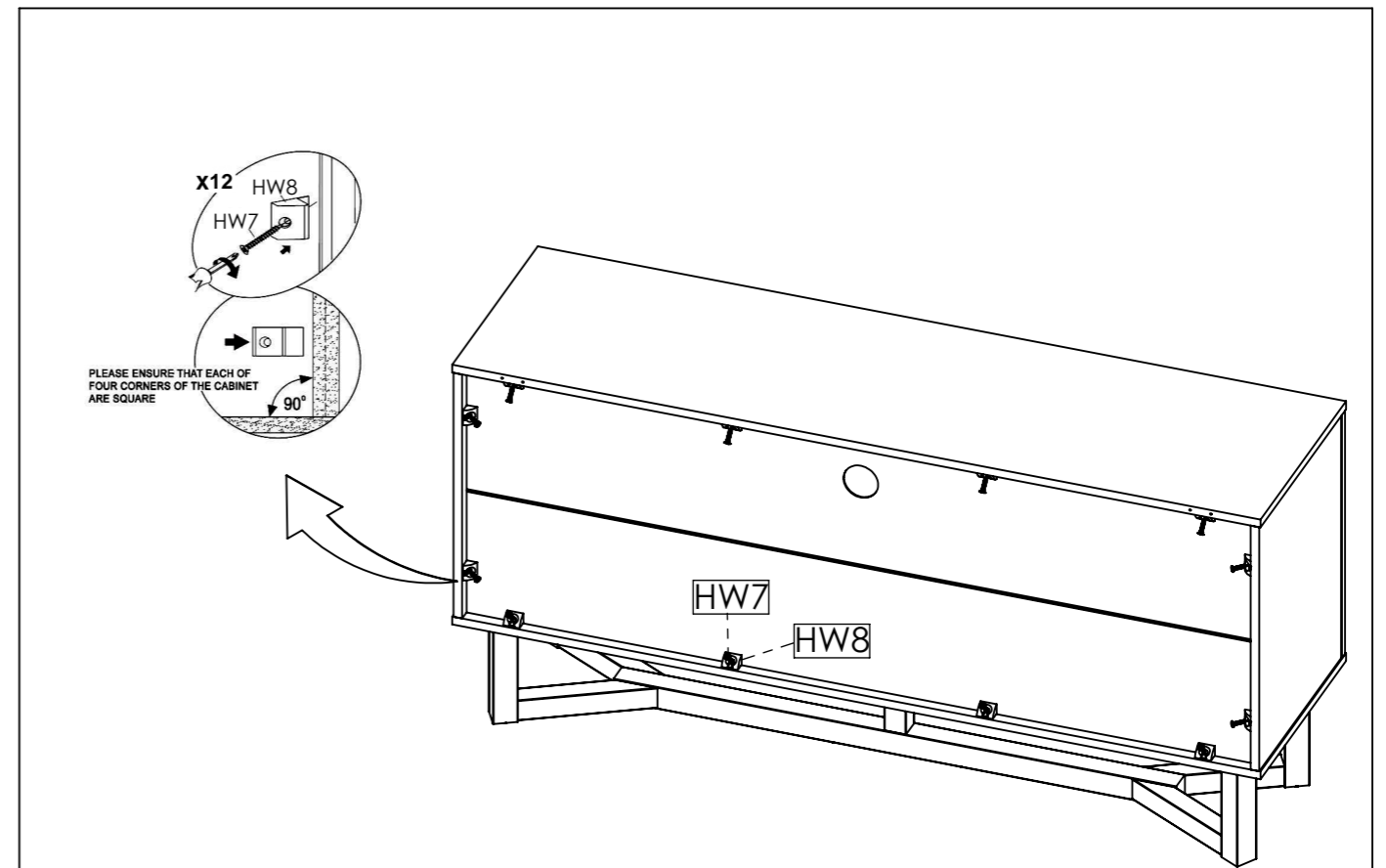
STEP23: insert Drawer Base (23), And Front Drawer (24) then tighten camlock (HW2) it using screwdriver.



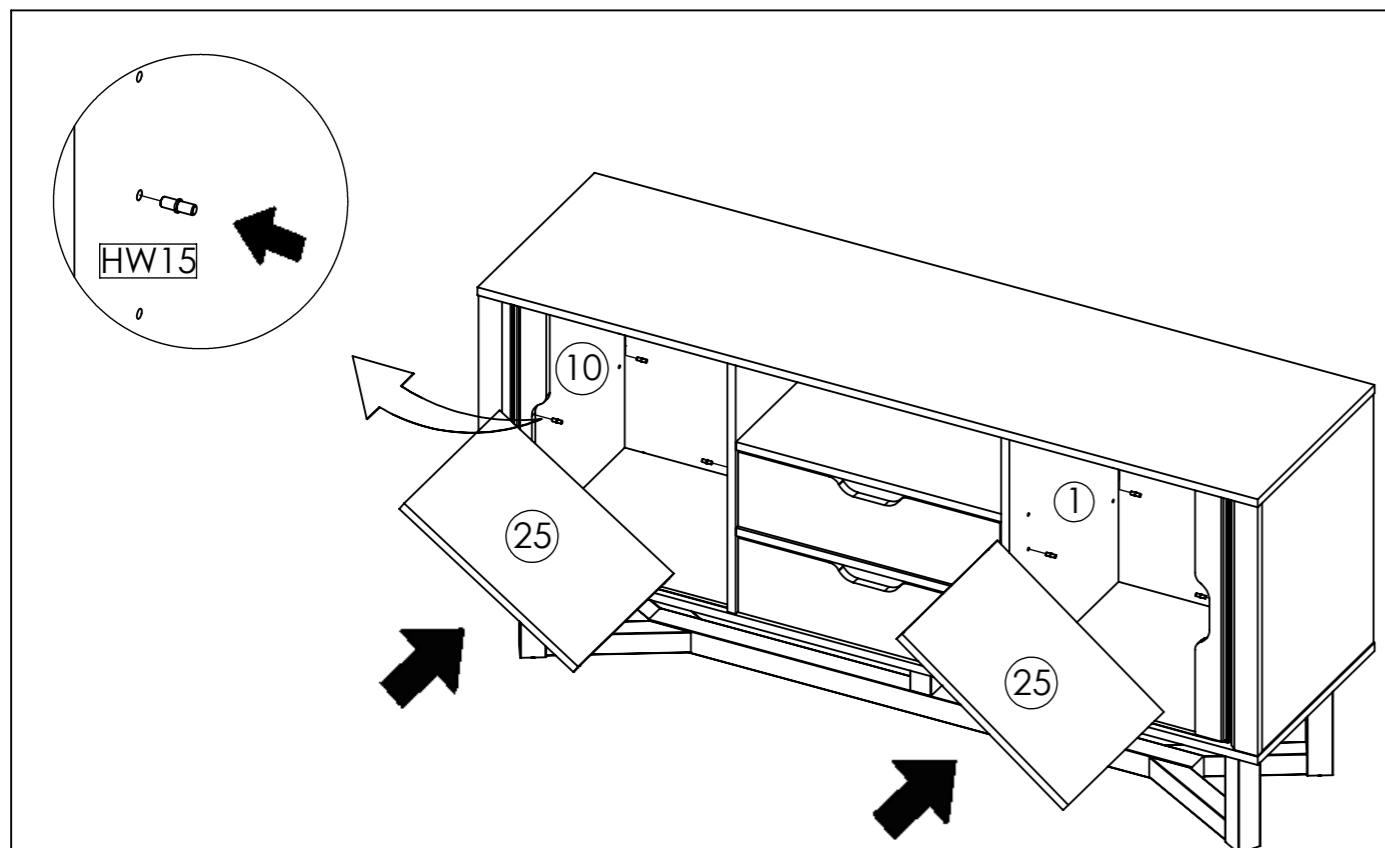
STEP24: Install the metal runner 2 (HW13) into position as shown in picture. Secure with Screw M 6 x 12 mm (PH) (HW11) And tighten it using screwdriver.



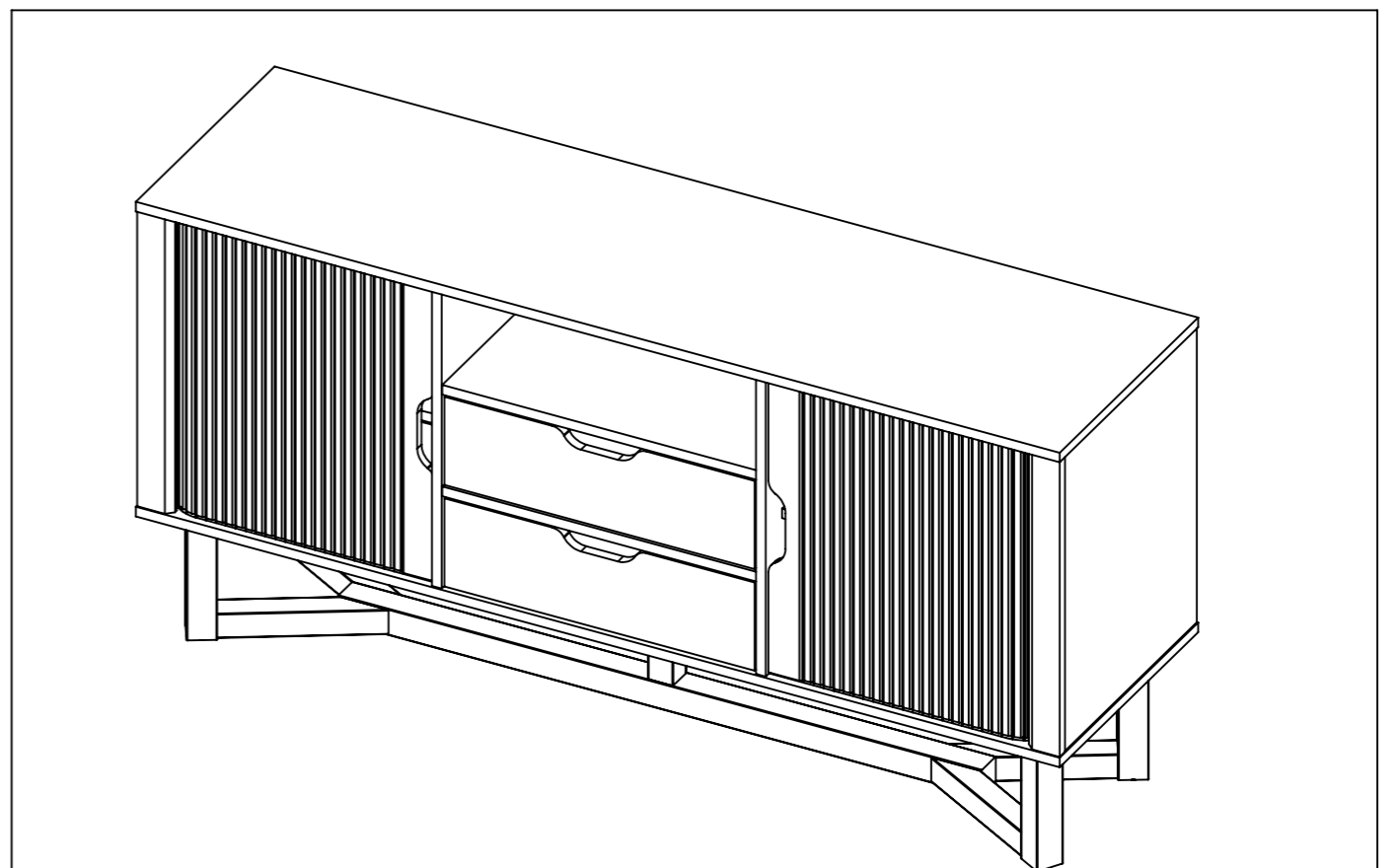
STEP25: Hold the sides of drawer, position the wheel of rail at drawer back and the wheel of rail at side boards, according to the image. Slide in the drawers one by one into the cabinet. Attach Cover Cap Sticker (HW9) to the panel that has lamination.



STEP26: Attach Plastic Stopper (HW8) Secure with Screw M4 x 19 mm (HW7) tighten it using screwdriver.



STEP27: Insert Metal Pin (HW15) Into Center Panel - Right (1), Center Panel - Left (4), Divider - Right (9) And Divider - Left (10). Continue Insert Adjustable Shelf Left/Right (25) Into Position as the above image.



STEP28: Assembly is complete

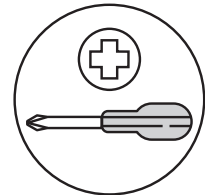
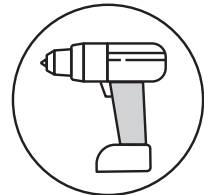


ANTI-TIP RESTRAINT INSTALLATION

! WARNING!

Children have died from furniture tipover.
To reduce the risk of furniture tipover:

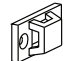

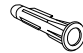
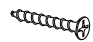

- ALWAYS install tipover restraint provided.
- NEVER allow children to stand, climb or hang on drawers, doors, or shelves.
- NEVER open more than one drawer at a time.
- Place heaviest items in the lower drawers.

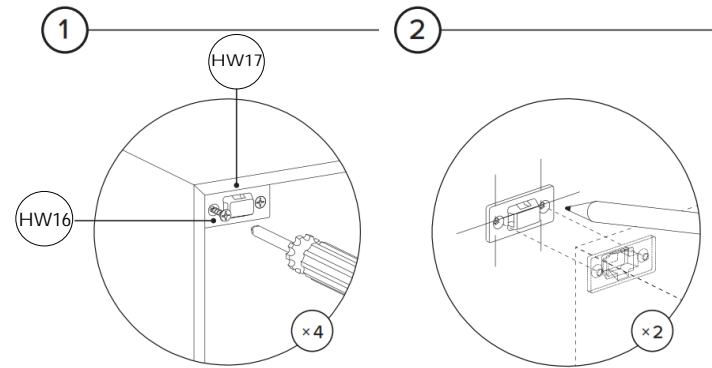


REQUIRED TOOL
8MM / 5/16" DRILL BIT

REQUIRED TOOL

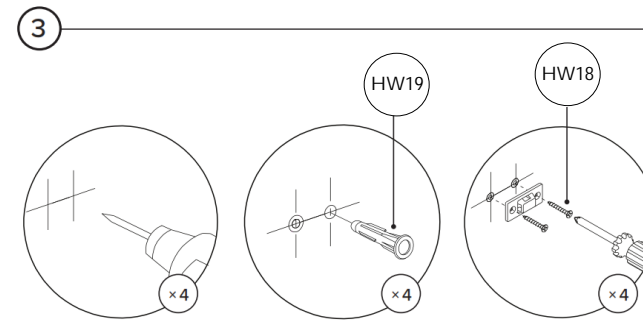
! Hardware (HW19 / HW18) to attach brackets to wall is designed for drywall. To attach this unit to another type of wall, consult with your local hardware store.

ANTI-TIP RESTRAINT PACK			
ID	DESCRIPTION		QTY
HW17	BRACKET		4
HW16	M6 x 15MM SCREW		4
HW19	M8 x 35MM PLUG		4
HW18	M10 x 50MM SCREW		4
HW17	STRAP		2

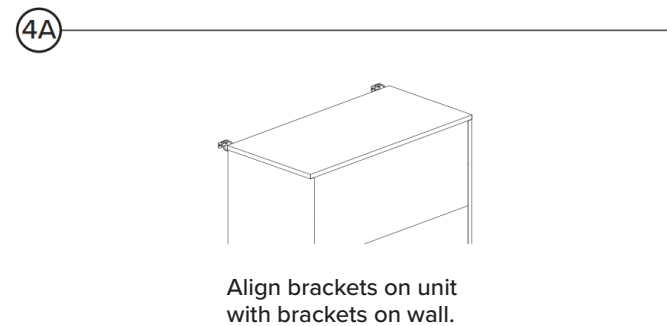


Attach pair of brackets to "Top Panel" of the unit. Note there are no existing pilot holes on the product.

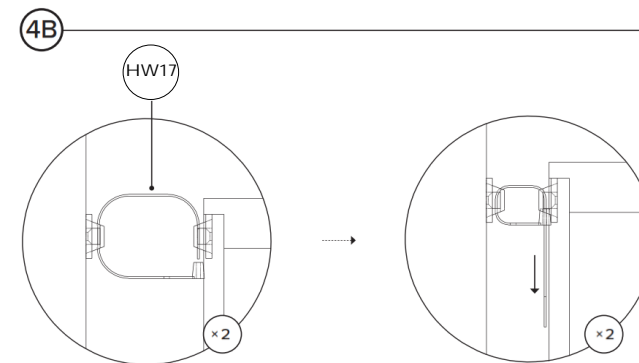
Mark on wall where second pair of brackets should be placed.



Drill holes in wall using 8mm / 5/16" drill bit.



Align brackets on unit with brackets on wall.



Pull strap down until it snap-locks.