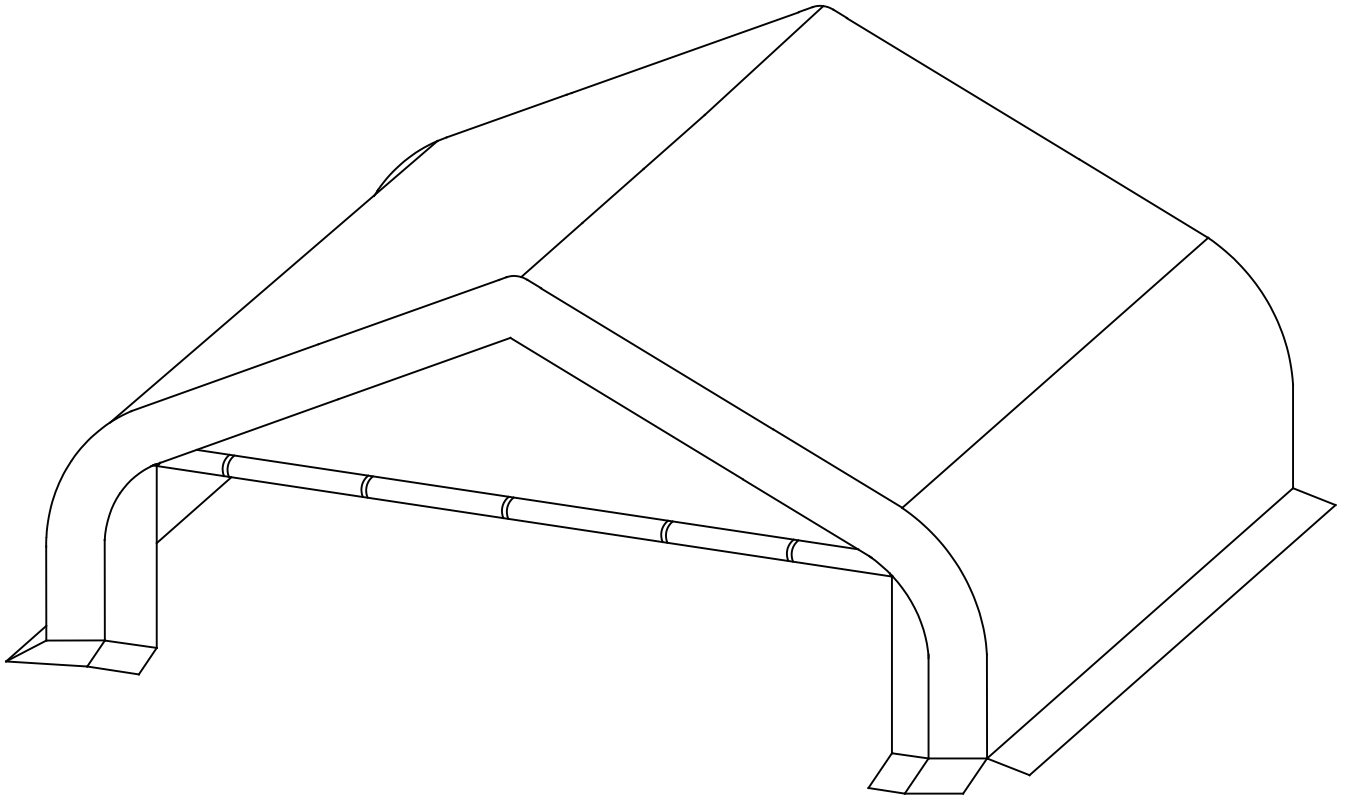
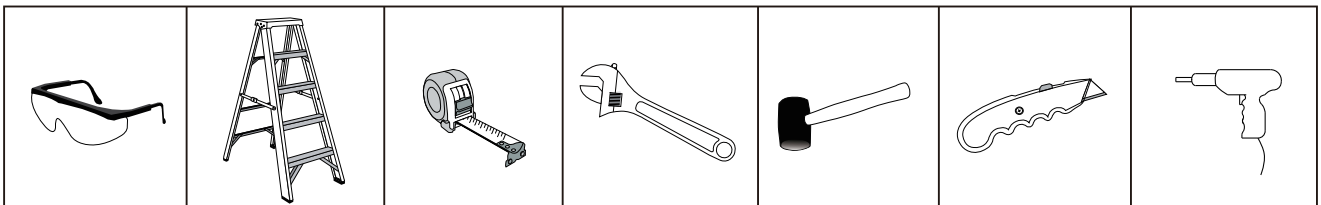


CARPORT PXYOT242GY



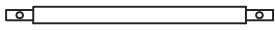
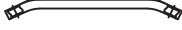
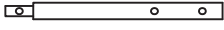
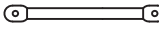
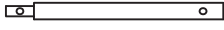
Upon opening the box, you will find a complimentary repair adhesive tape included in the accessory package. Please keep it safe. If the tarpaulin gets damaged for any reason, this tape can be used for temporary repairs!



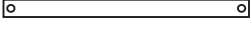
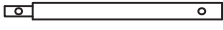
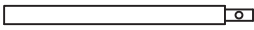
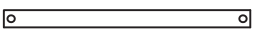
* All the optional tools listed above are not included in this product.







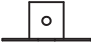


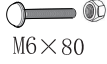


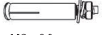



PARTS LIST BOX A

1A		16pcs	6		8pcs
4A		4pcs	7		4pcs
4		4pcs			



BOX B

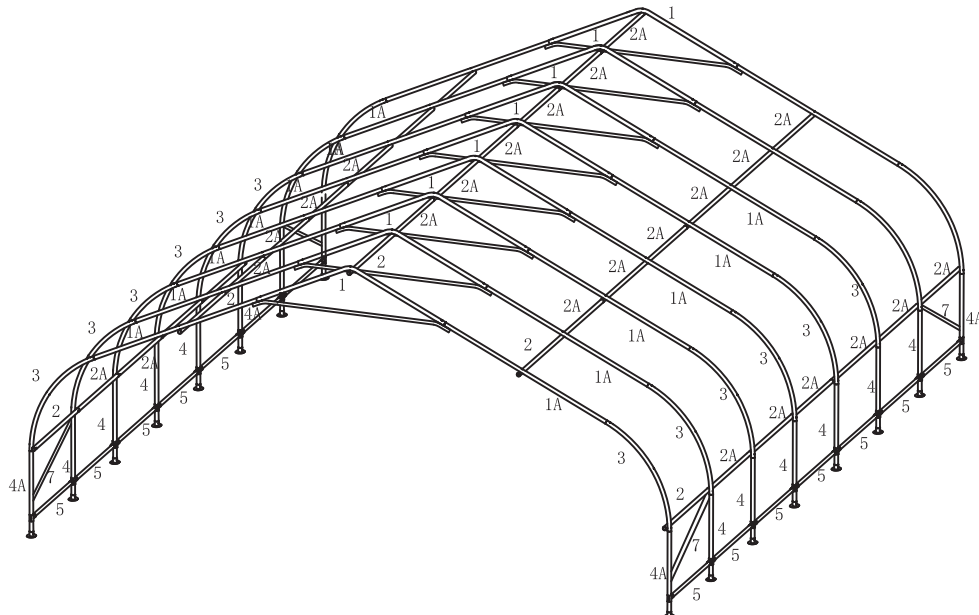
2		5pcs	4		8pcs
2A		30pcs	5		14pcs

BOX C

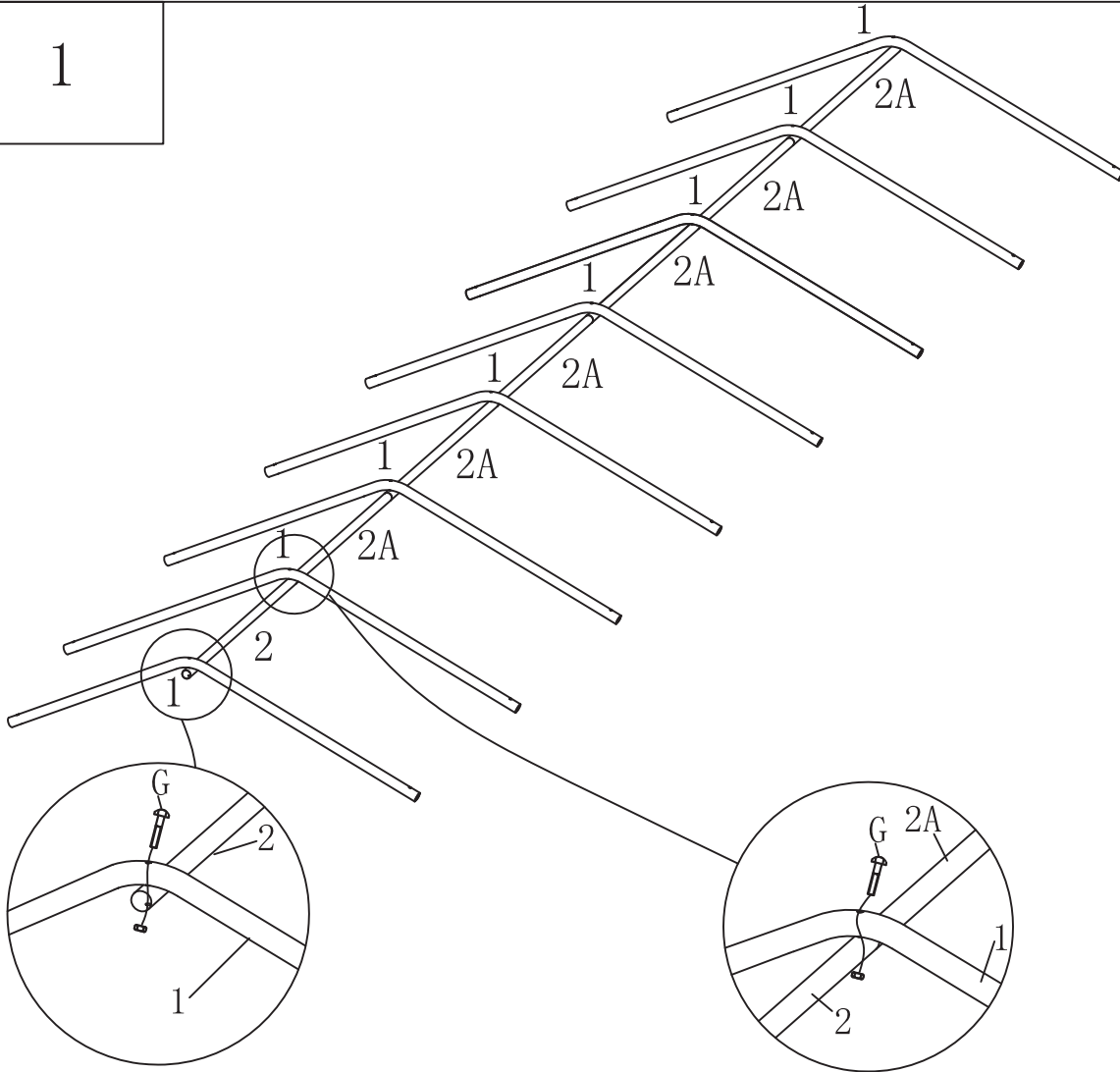
1		8pcs	3		16pcs
A		8pcs	B		24pcs
C		16pcs	E		44pcs
J	 M6×50	88pcs	G	 M6×80	56pcs
K		4pcs	L	 φ5.8*220	32pcs
P	 M8*60mm	32pcs			2pcs
I	 M8*50	4pcs			1pc

BOX D

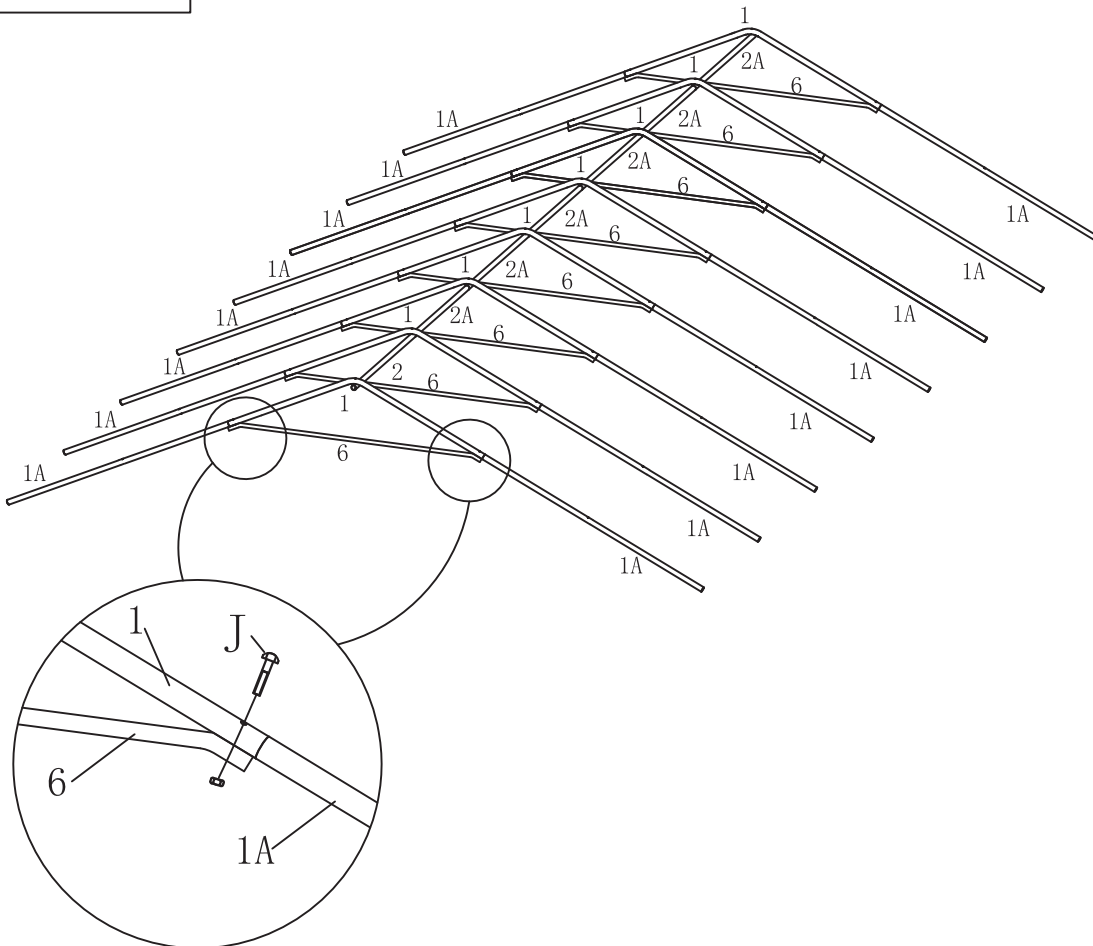
M		1pc	N		2pc
---	---	-----	---	---	-----



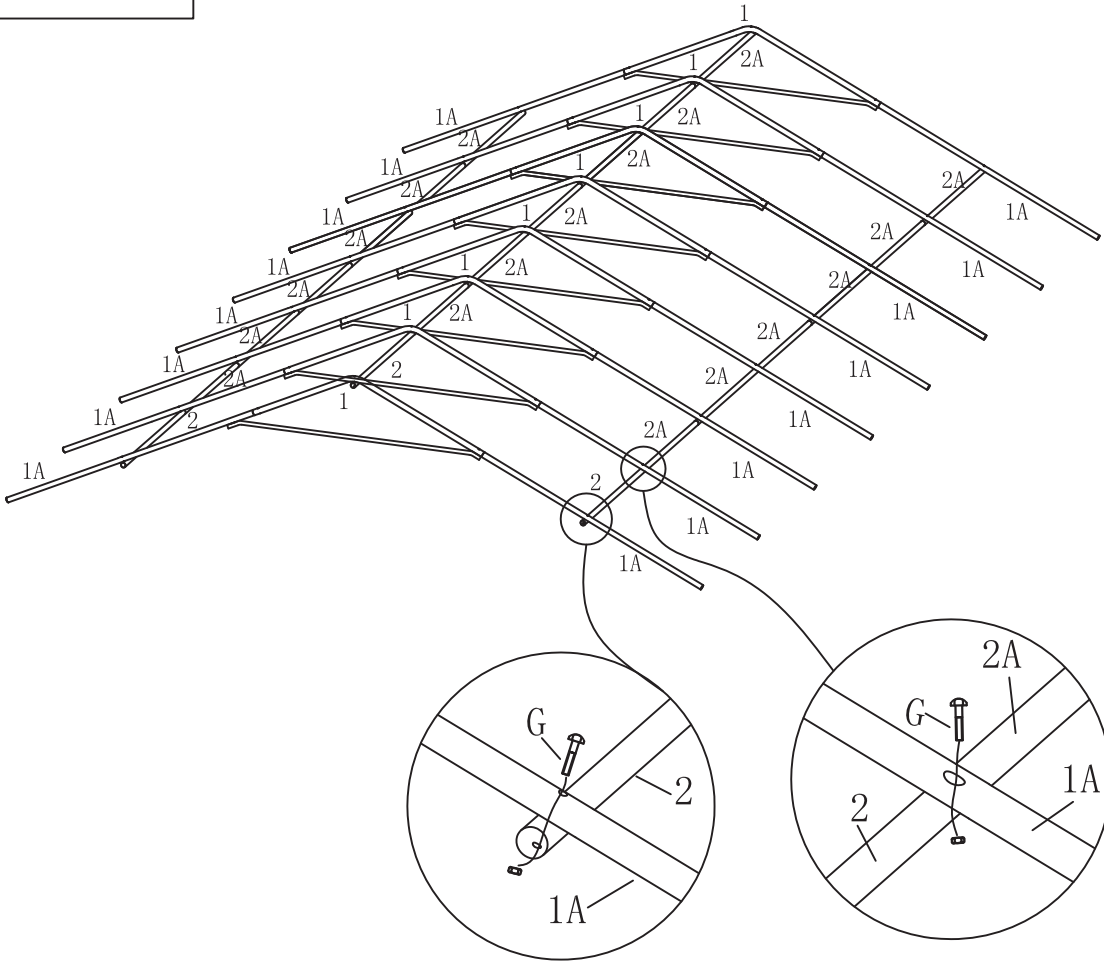
1



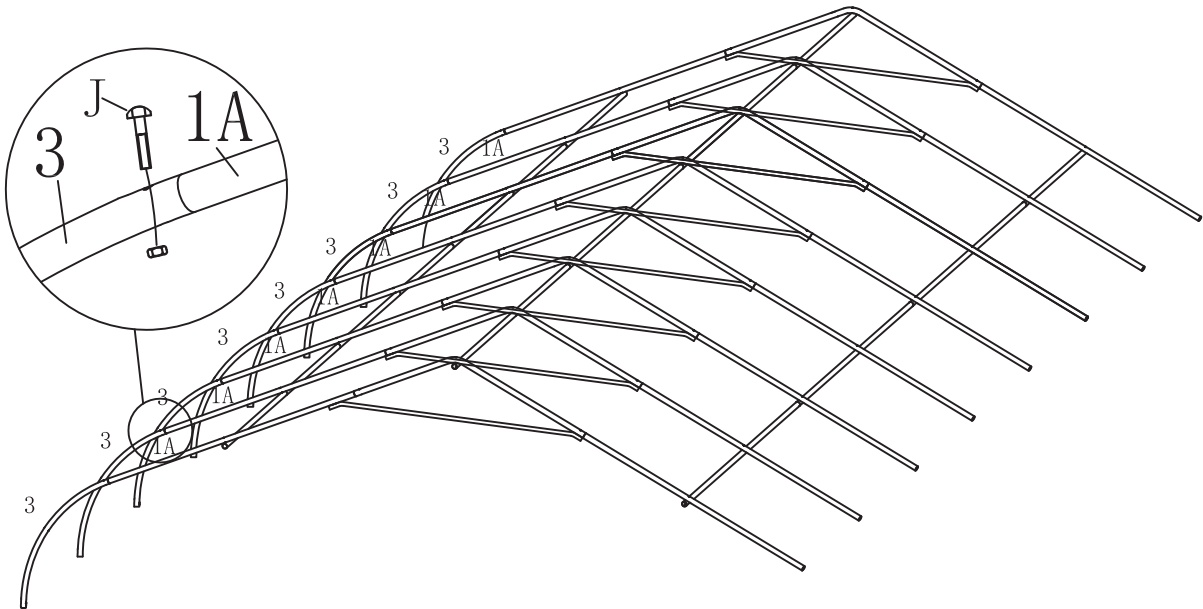
2



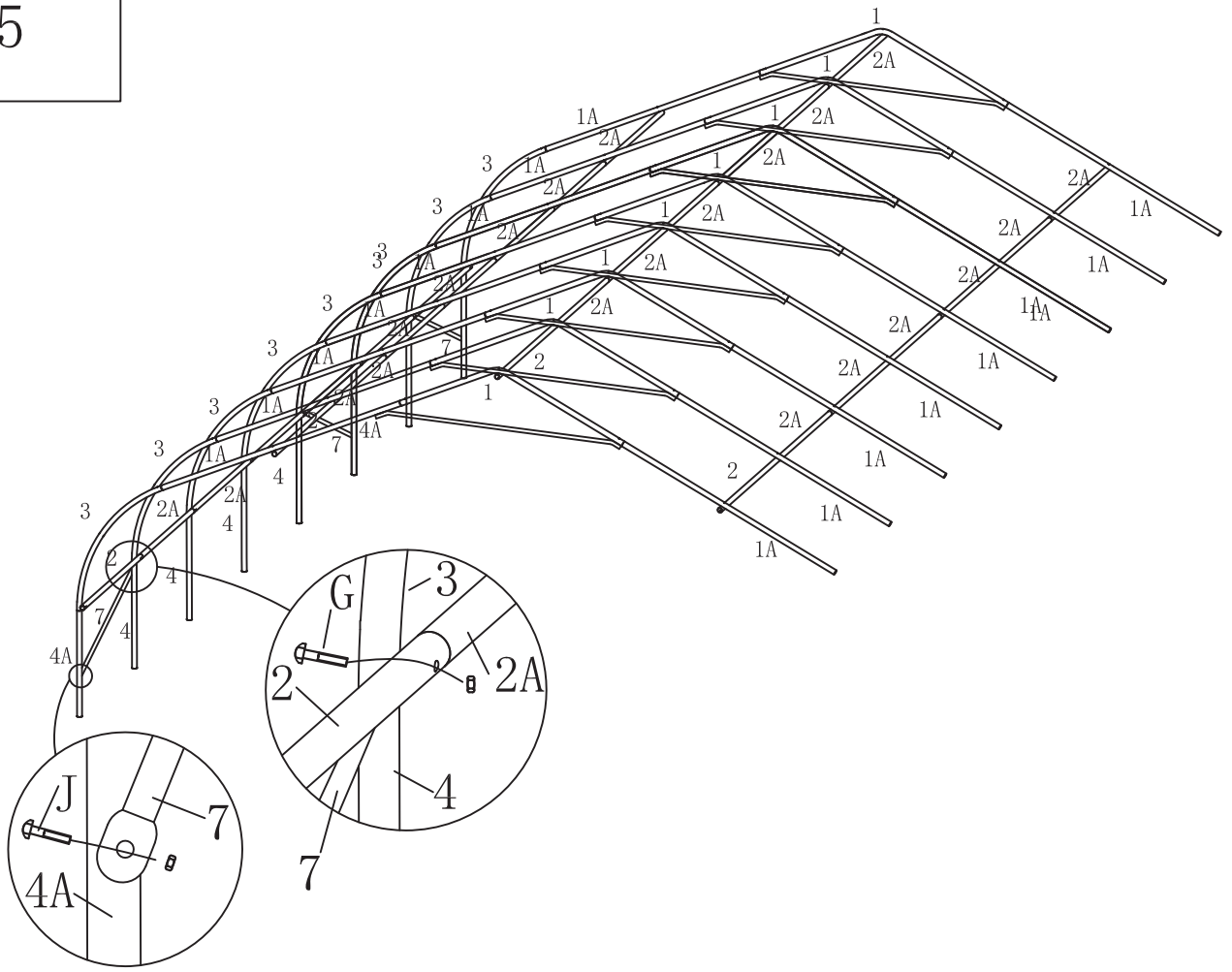
3



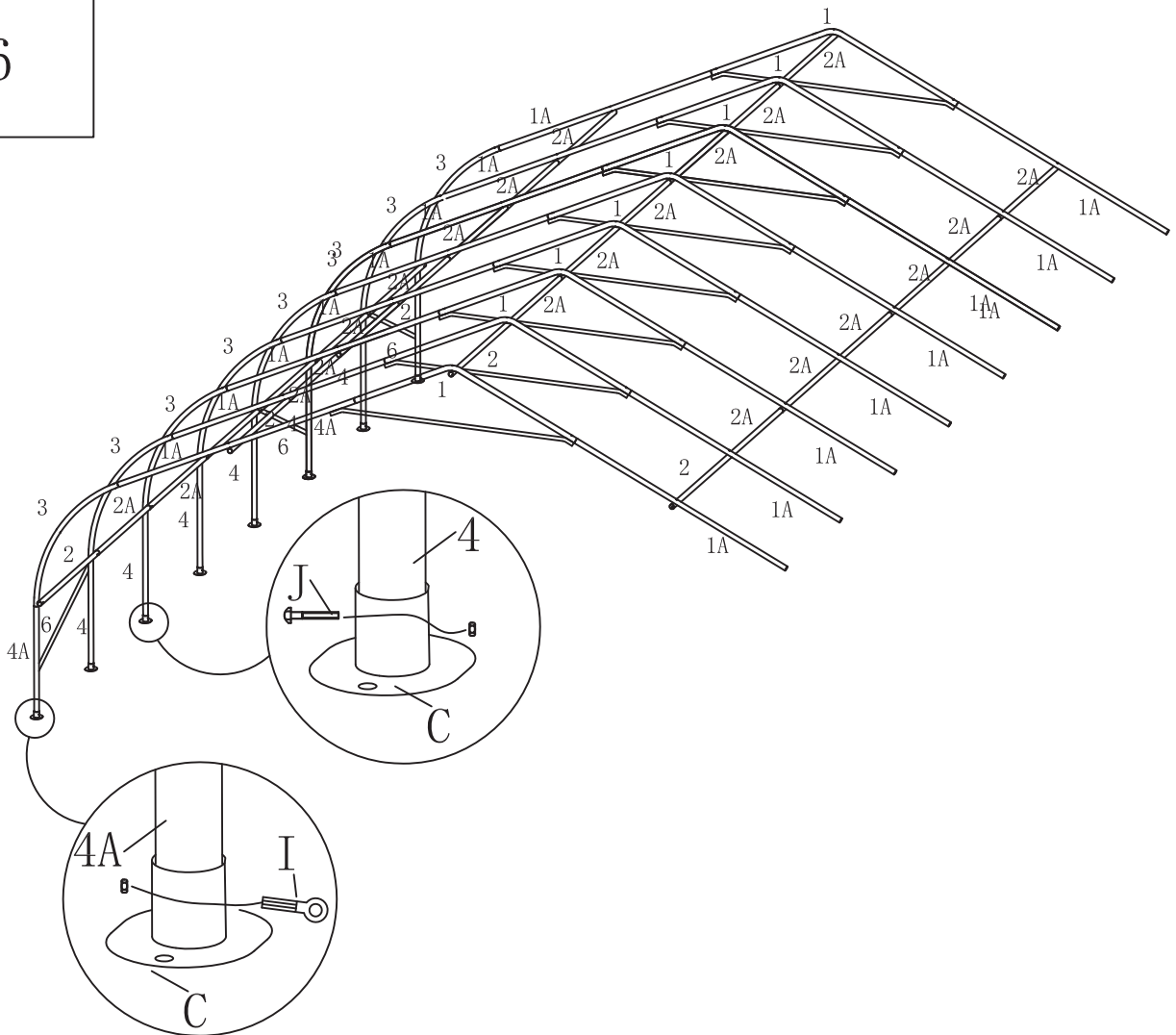
4



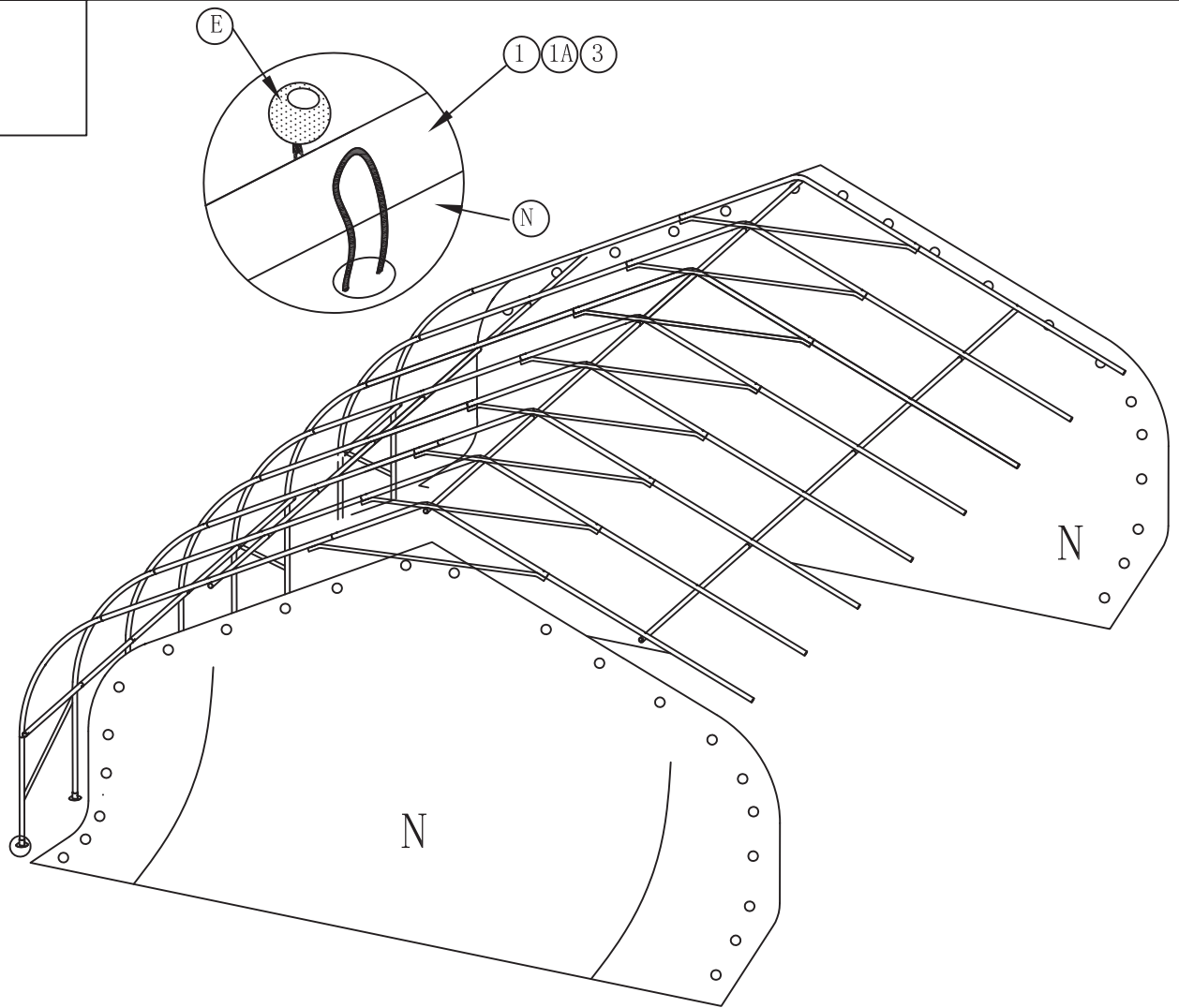
5



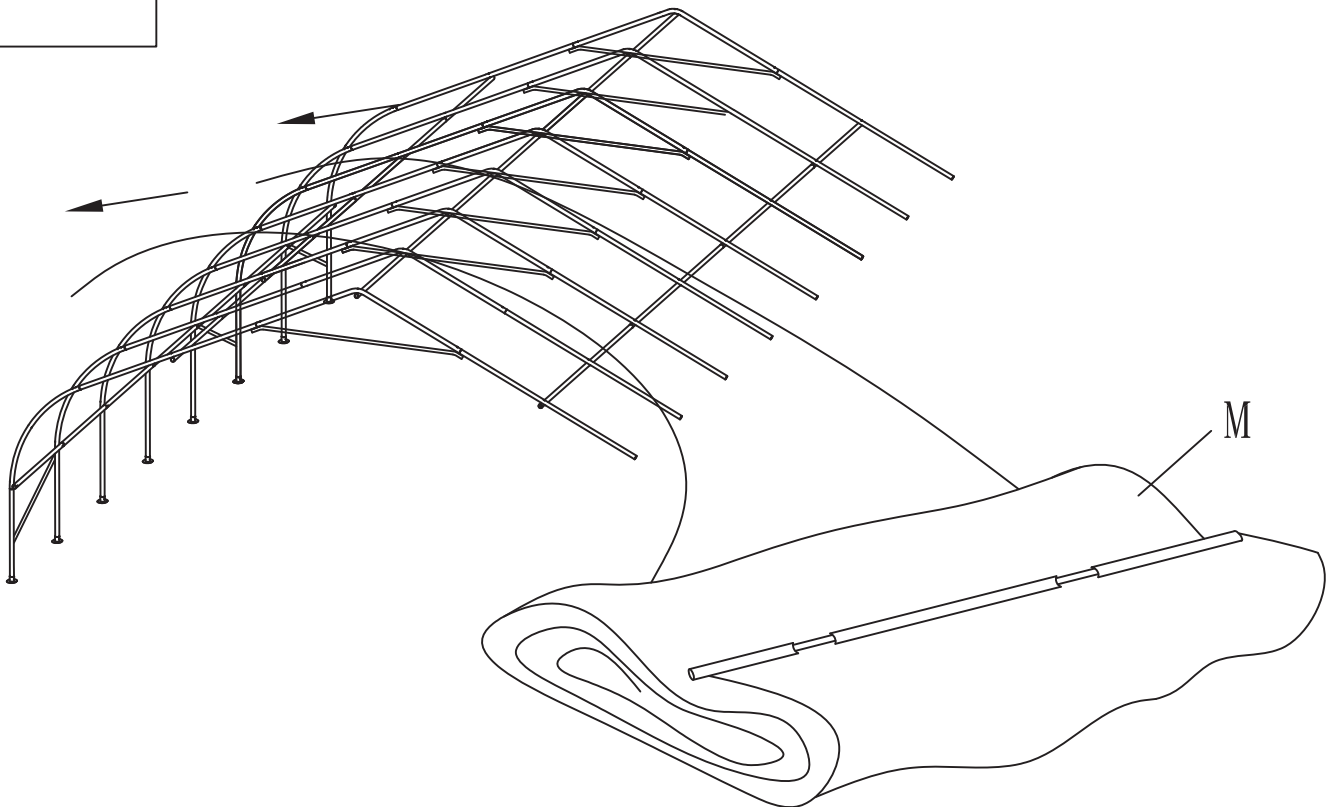
6



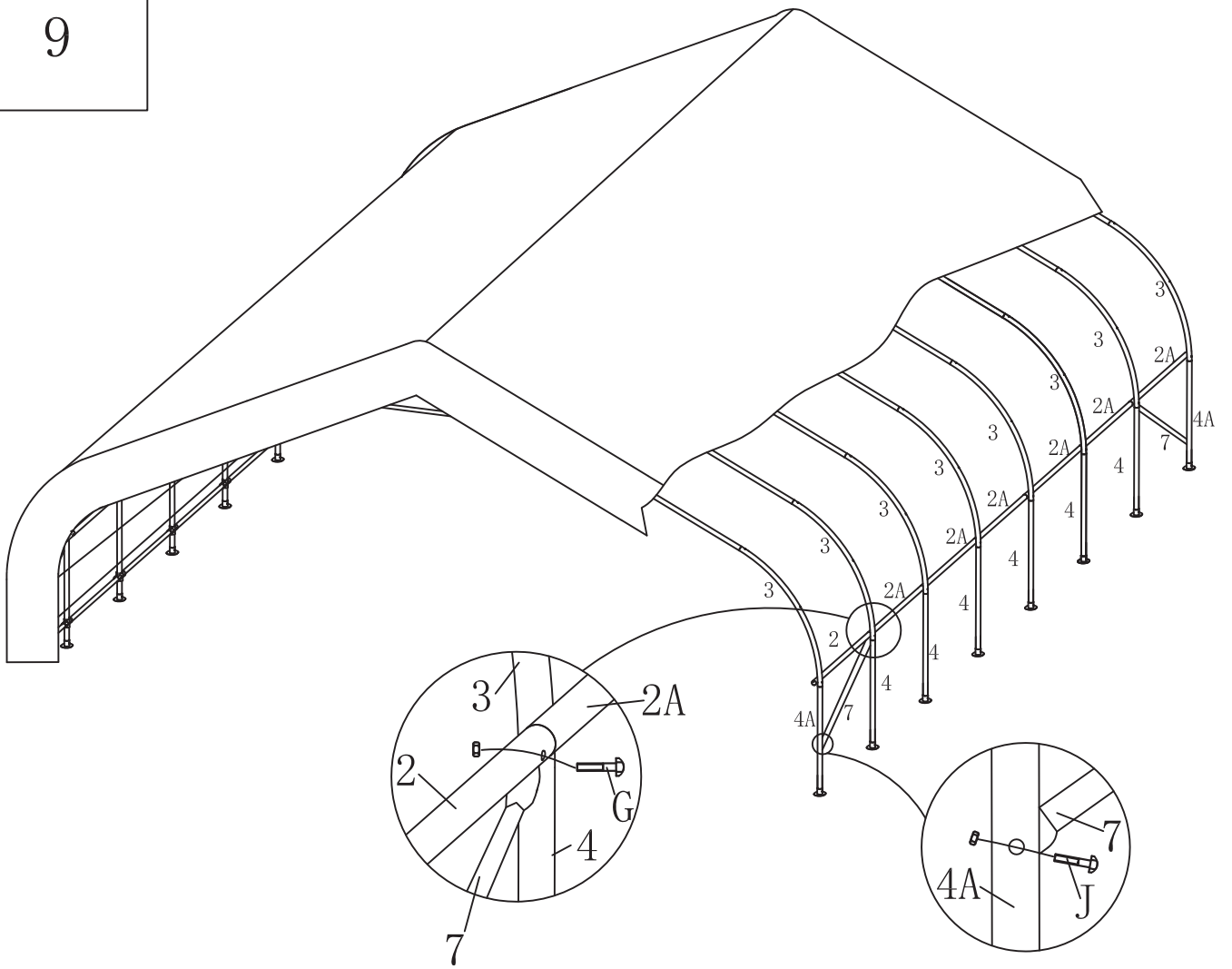
7



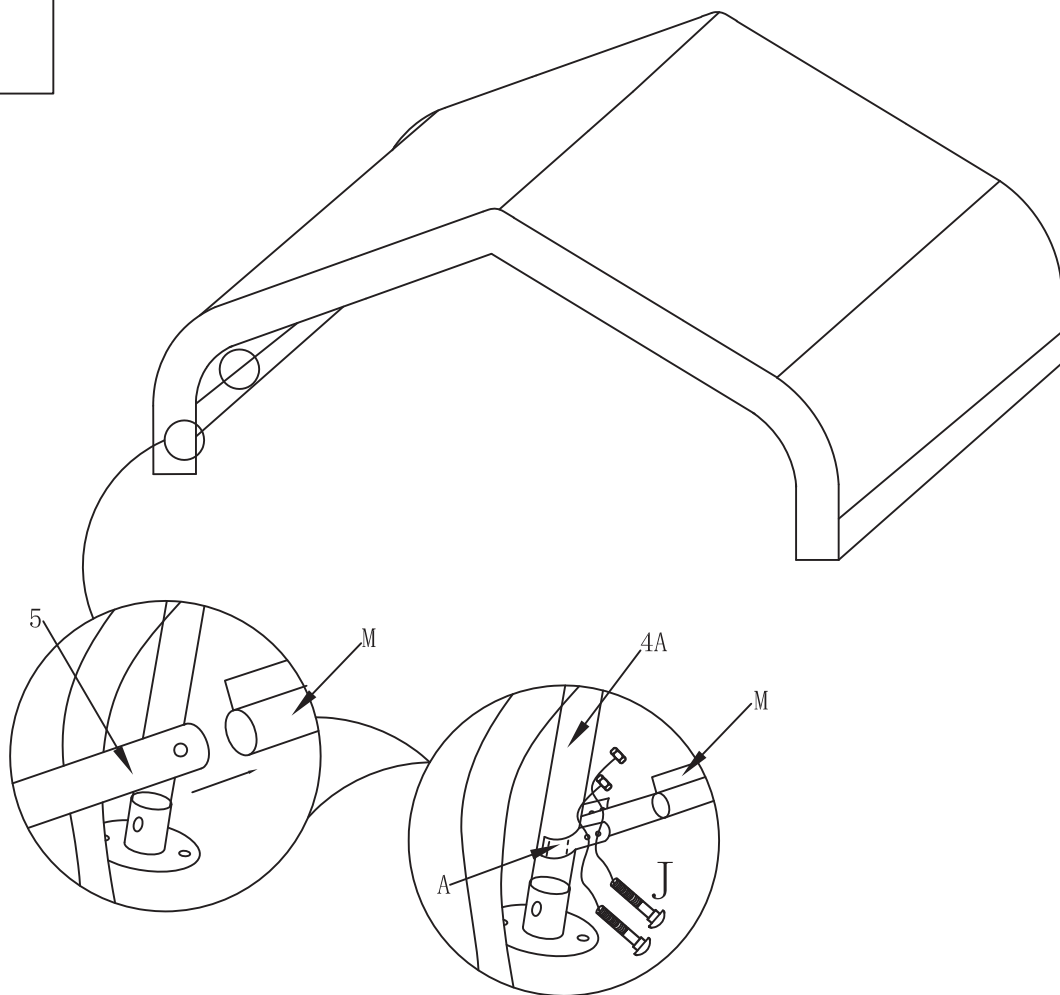
8



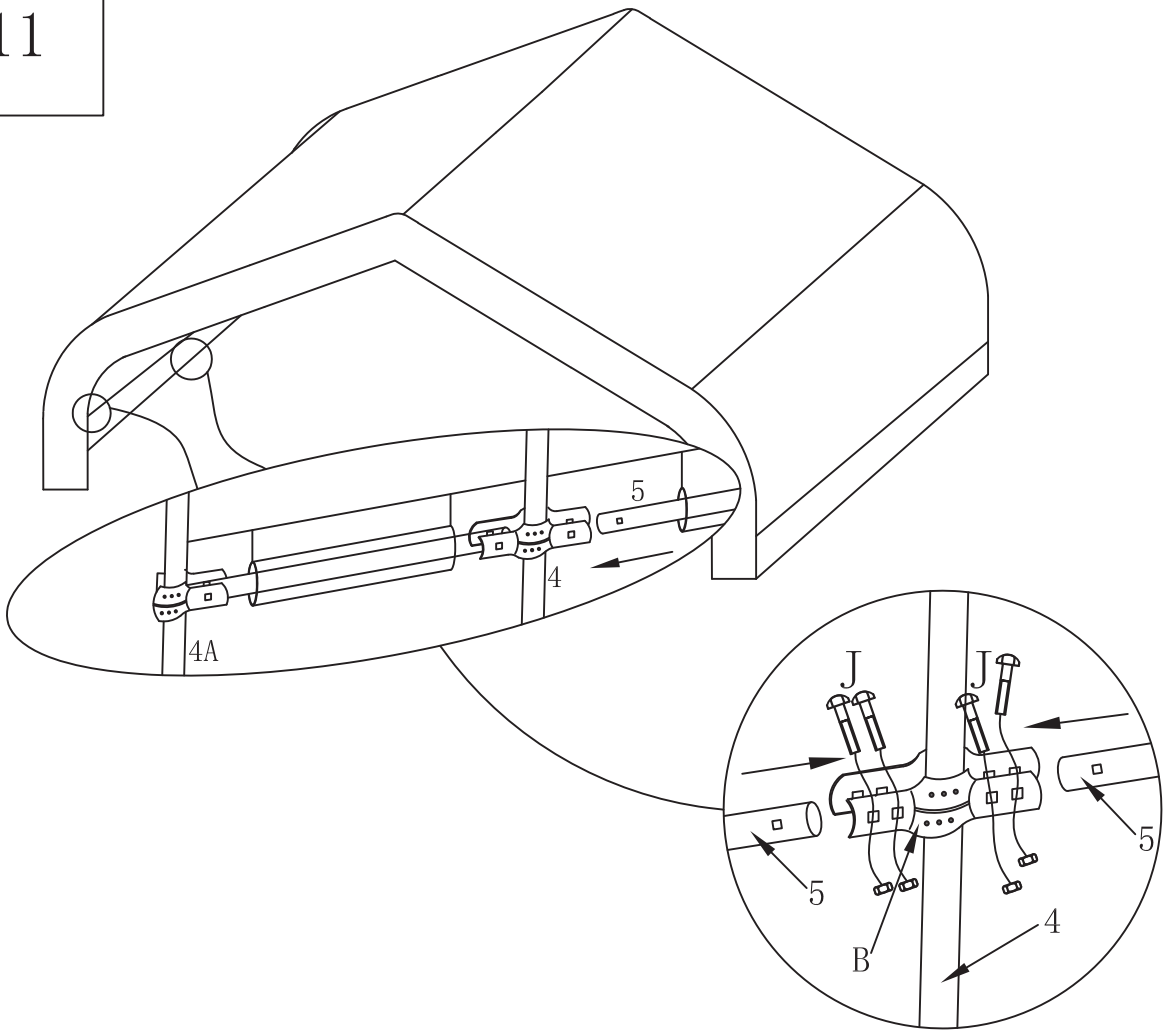
9



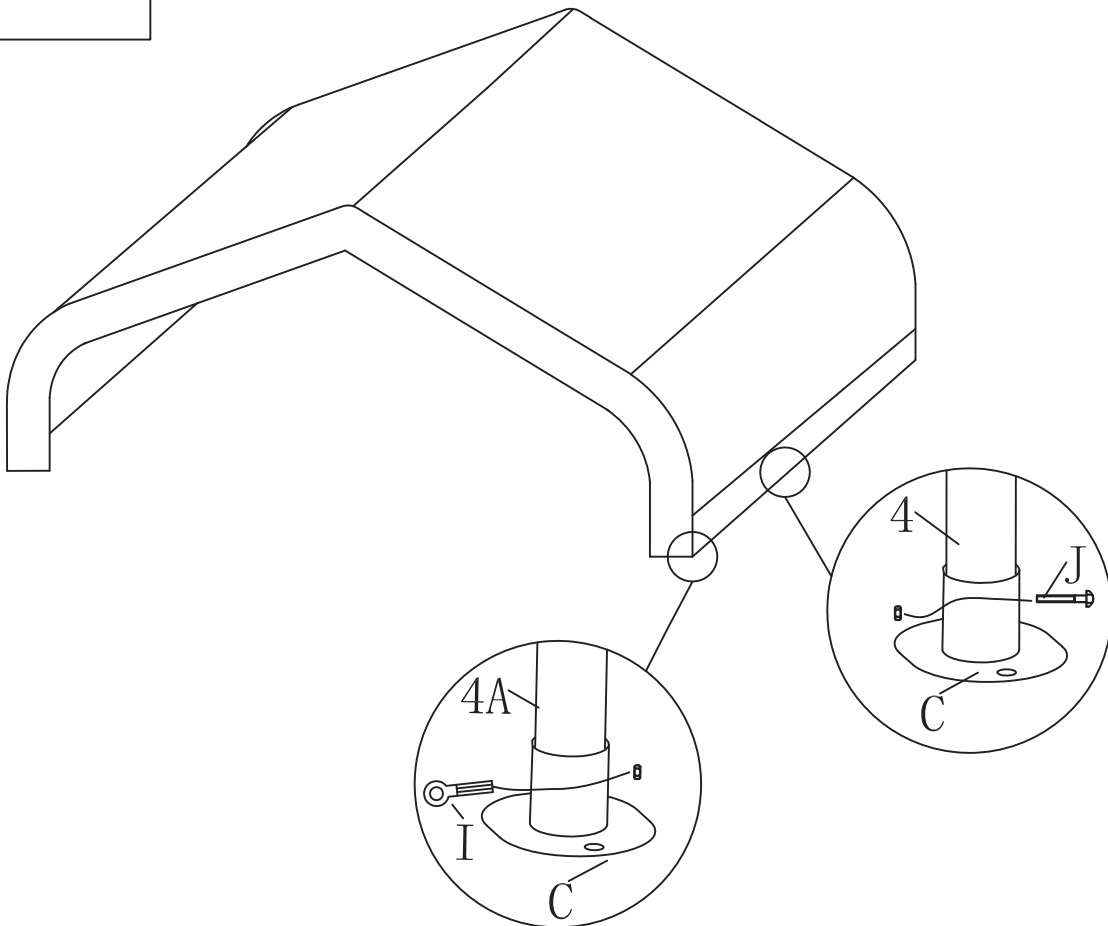
10



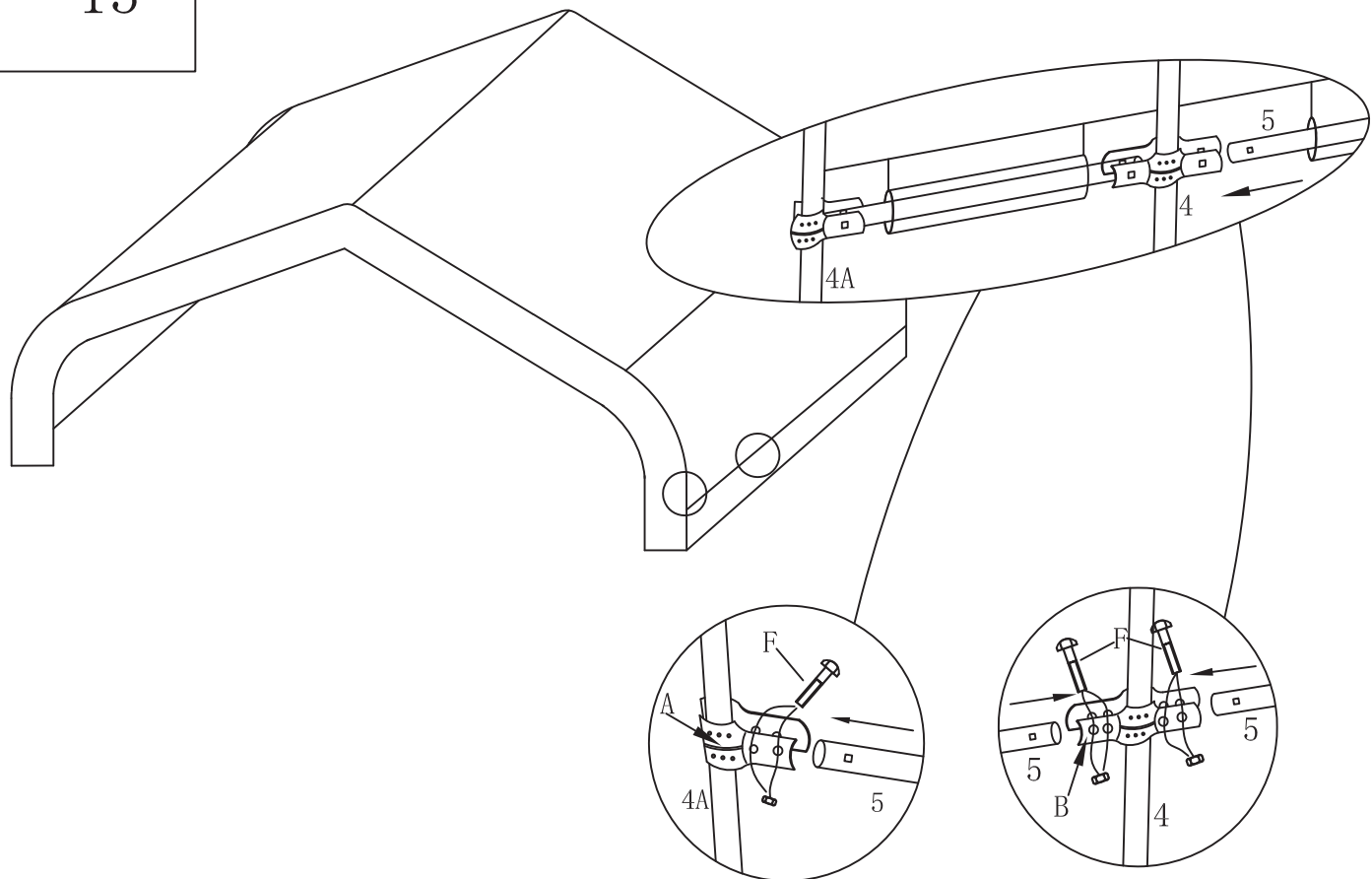
11



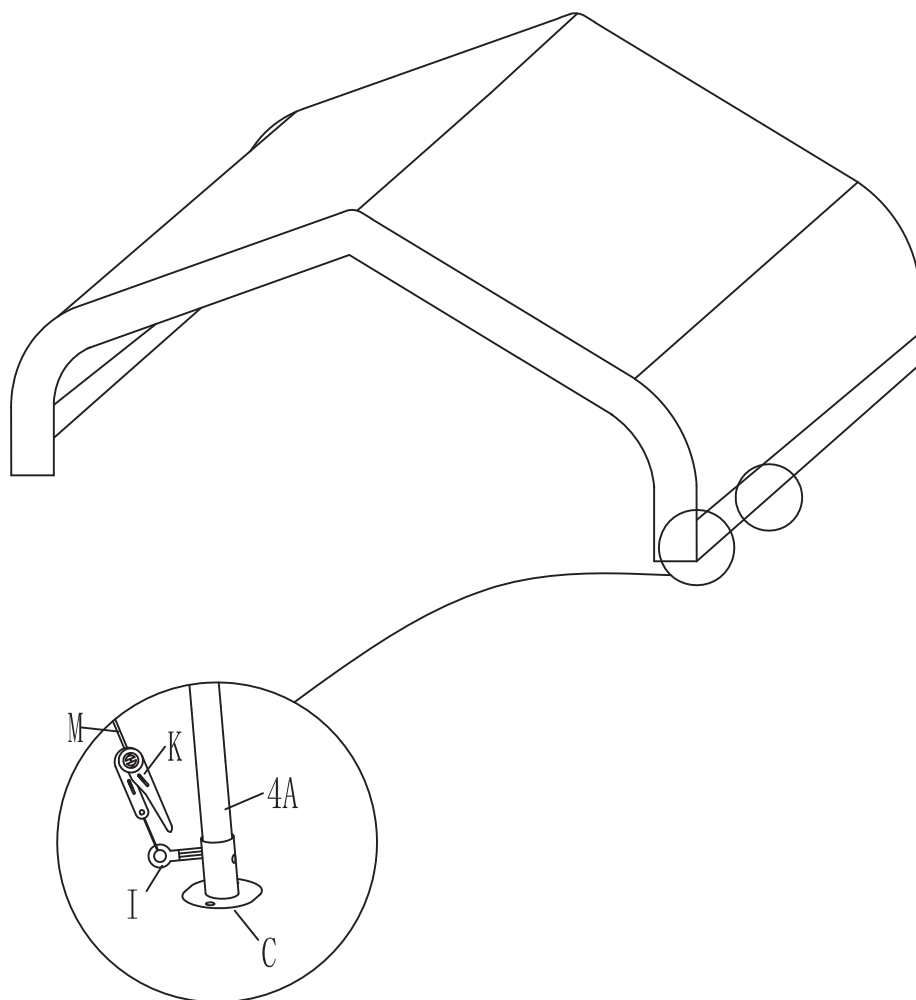
12



13



14



Securing Ratchet Tie-Downs

Note: Use these instructions in the pages that follow.

1. Thread the strap through the Ratchet's (8) spindle as far as it will go.

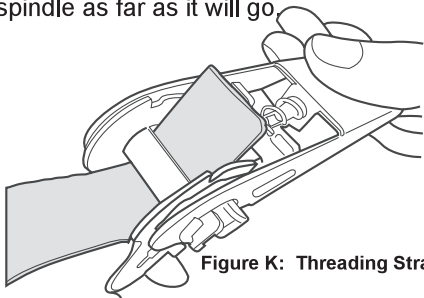


Figure K: Threading Strap through Spindle

2. Insert the S-hook of the Ratchet into the hole in the Corner Leg (6).

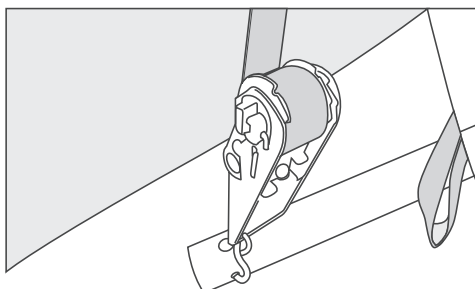


Figure L: Inserting Hook into Corner Leg

3. Lift and lower the Ratchet's handle to wind and tighten the strap onto the spindle.

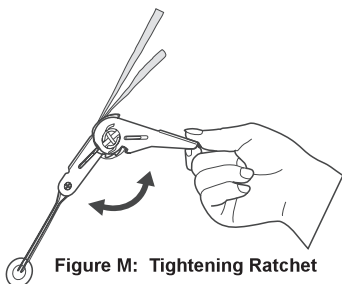


Figure M: Tightening Ratchet

NOTICE: Excessive tightening will damage straps, Covers, and Corner Legs.

Releasing Ratchet Tie-Downs

1. Depress the spring-loaded bar on the handle.
2. Open Ratchet handle completely.
3. Unwind the strap.

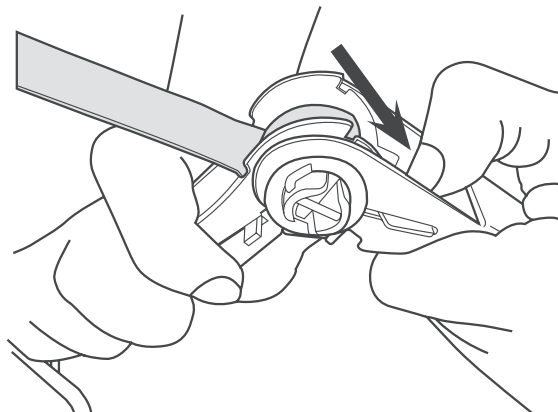
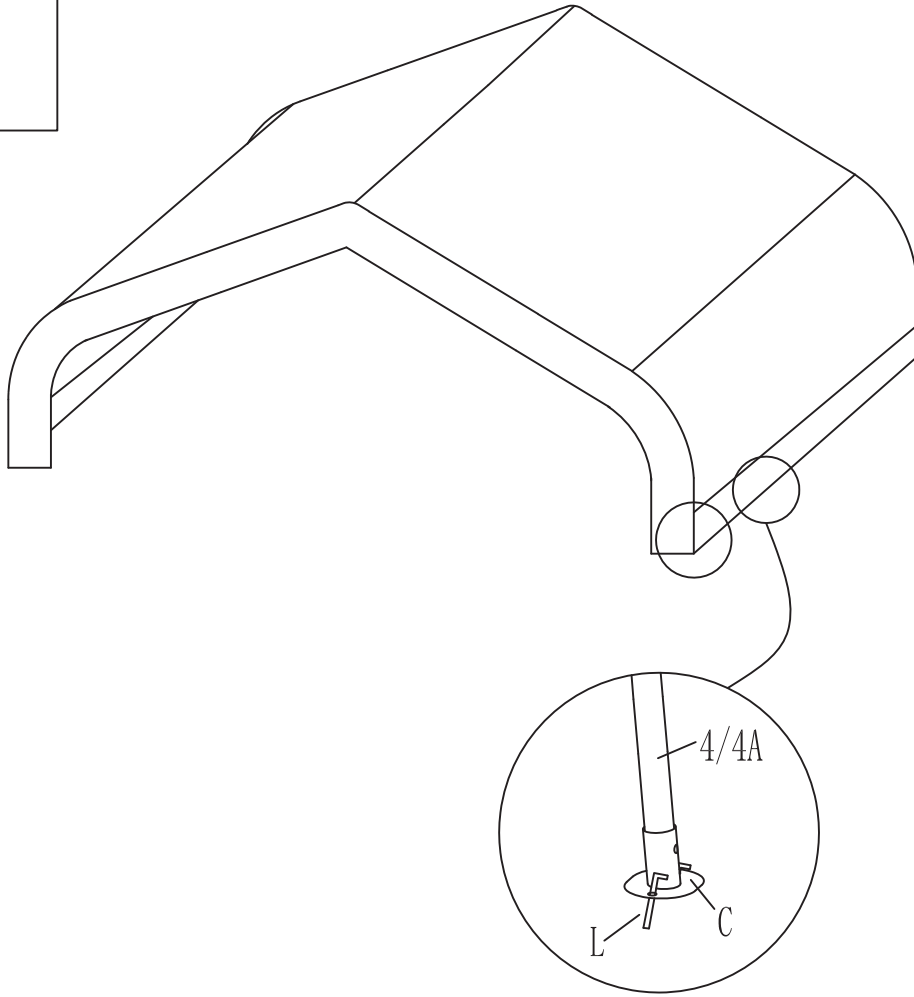
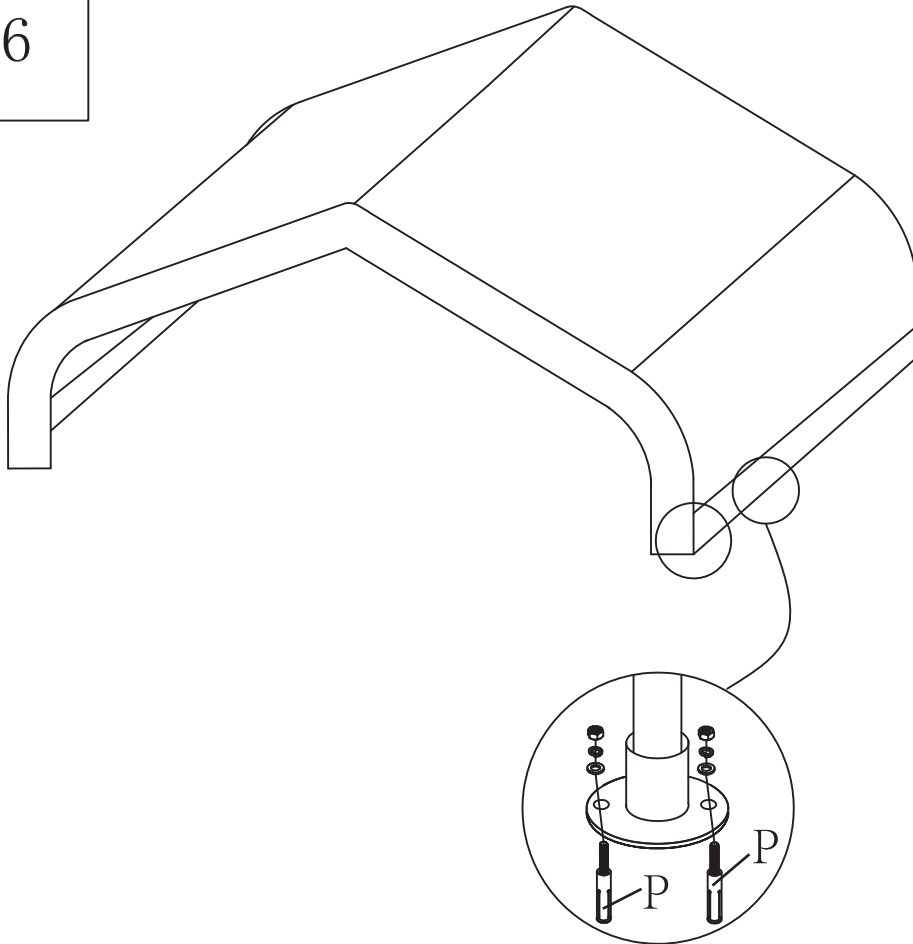


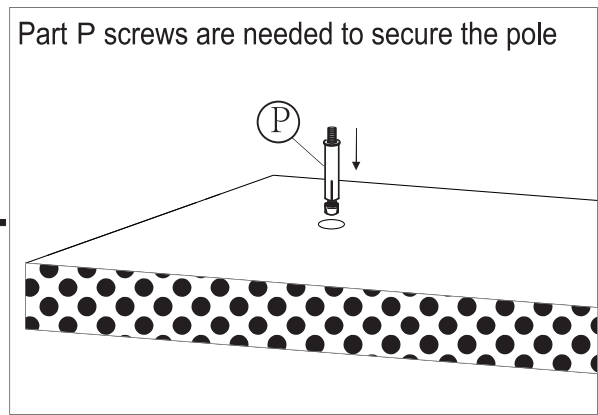
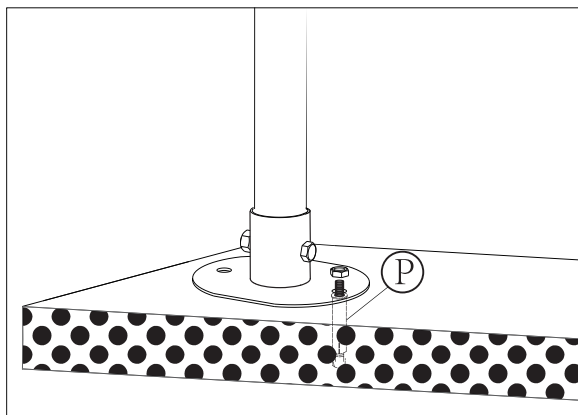
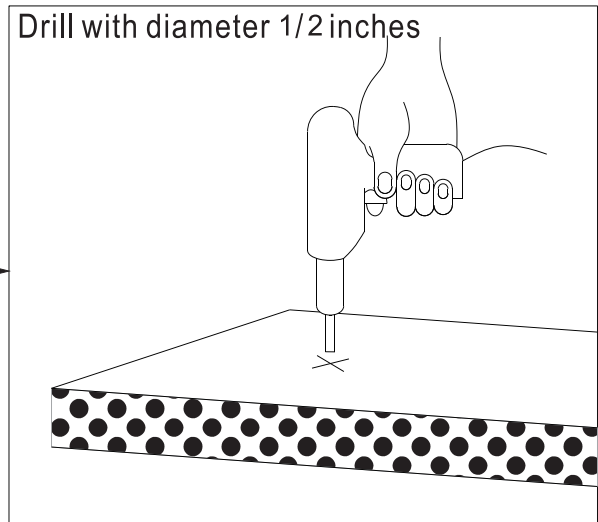
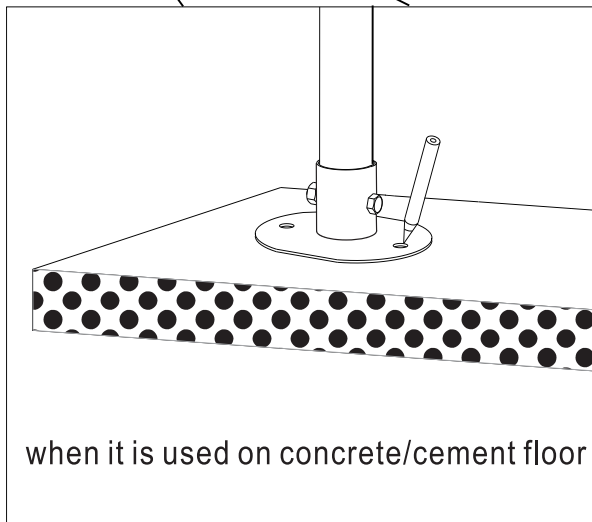
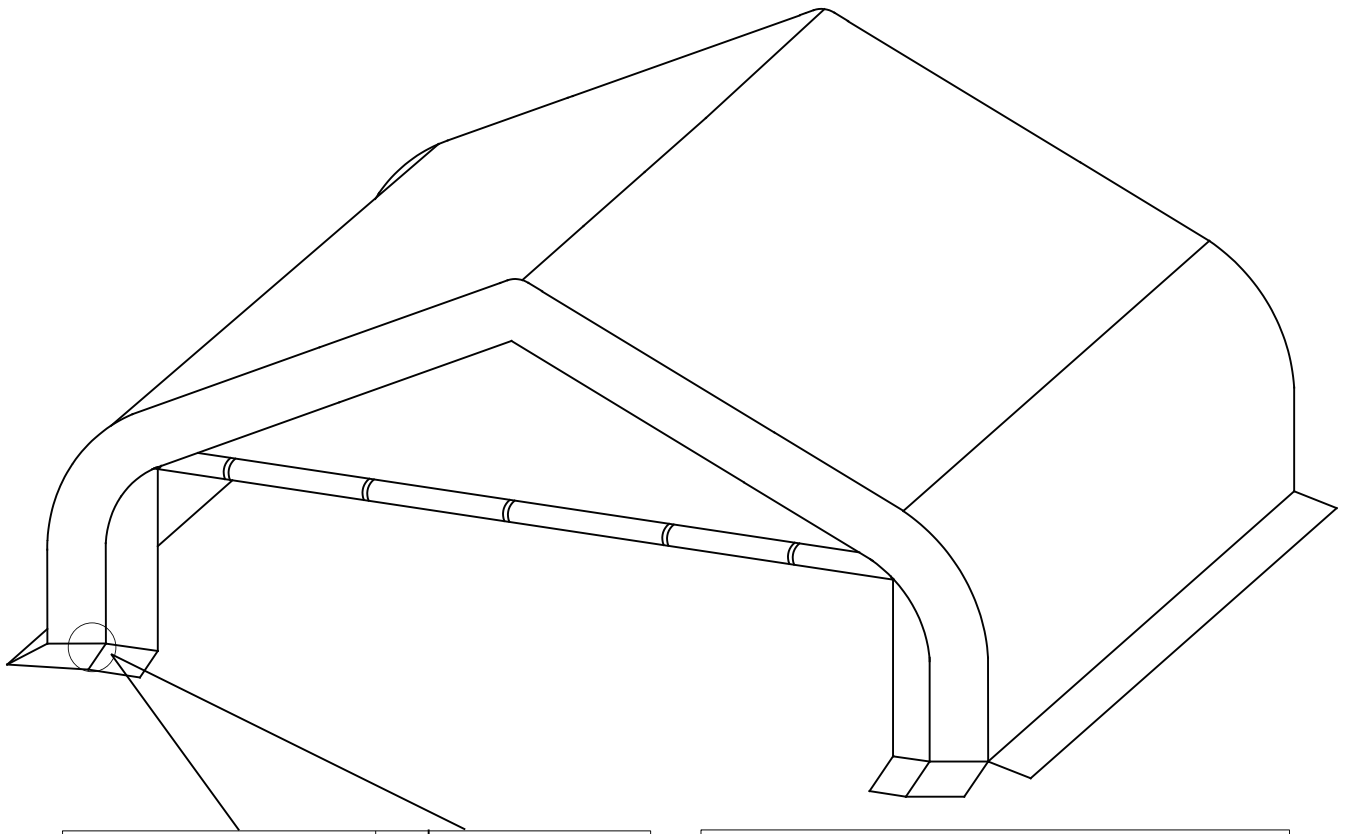
Figure N: Releasing Ratchet

15



16





ATTENTION:

1. Please carefully check the manual to ensure you have received all the parts.
2. If anything is missing, let us know which parts you need by their letters.
3. If there is any damage, please send us clear photos. We will review them and provide you with the best solution promptly.