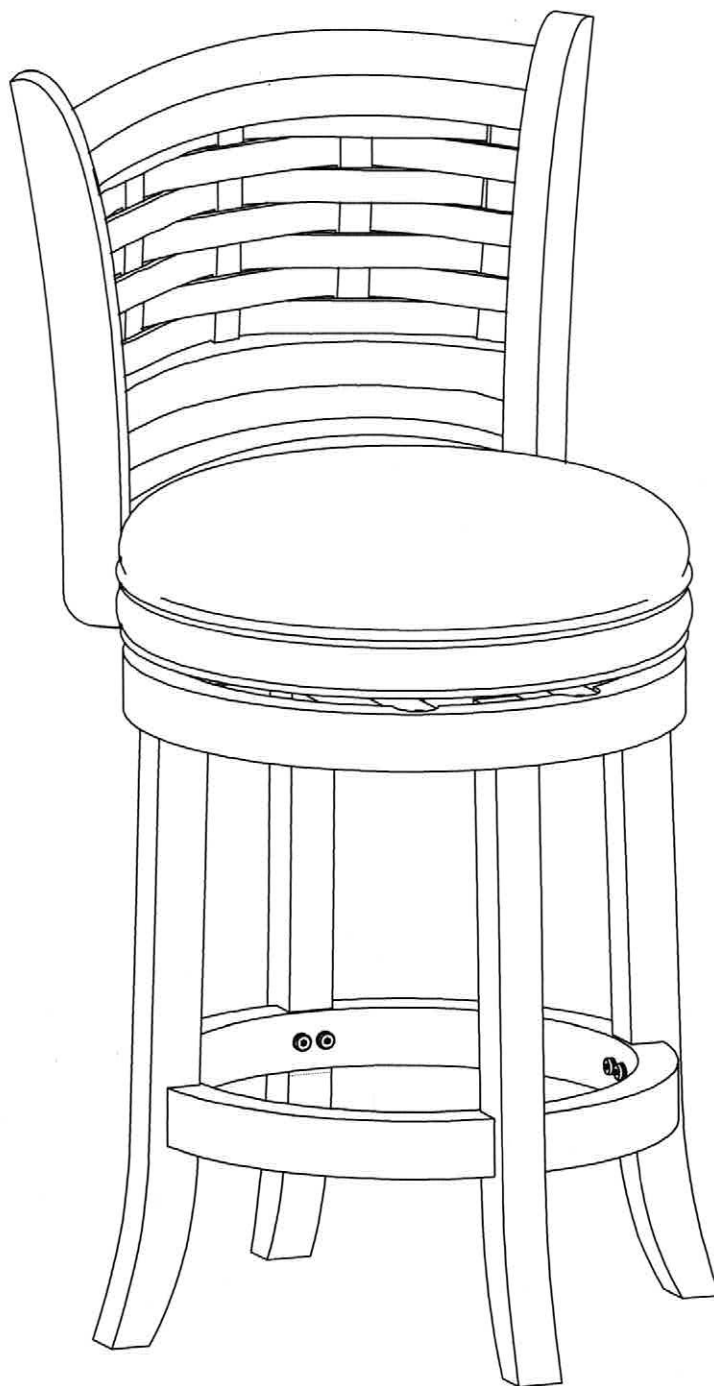
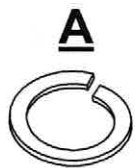
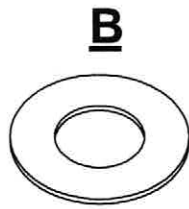


**SWIVEL STOOL**  
ASSEMBLY INSTRUCTIONS

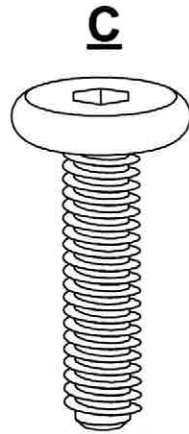




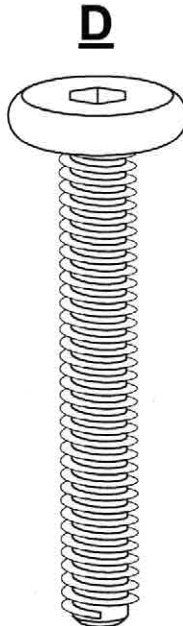
22 PCS



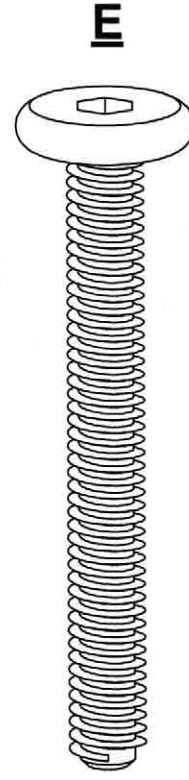
26 PCS



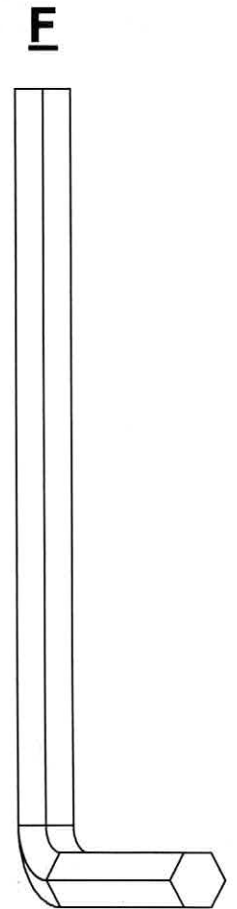
4 PCS



16 PCS

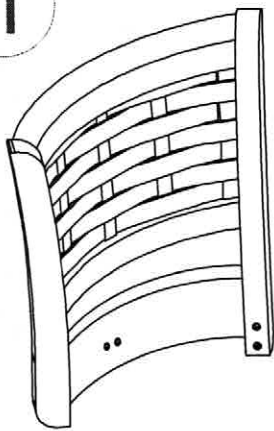


6 PCS

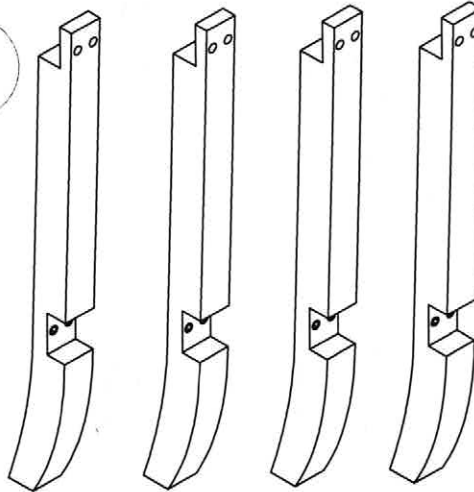


1 PC

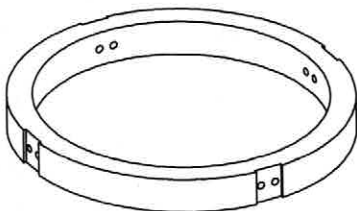
1



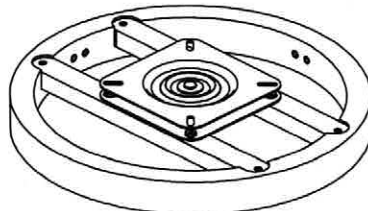
2



3



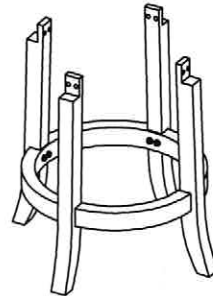
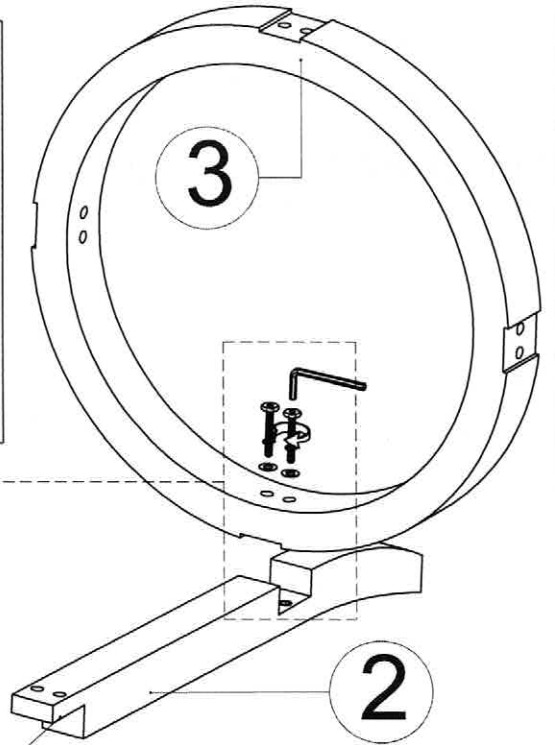
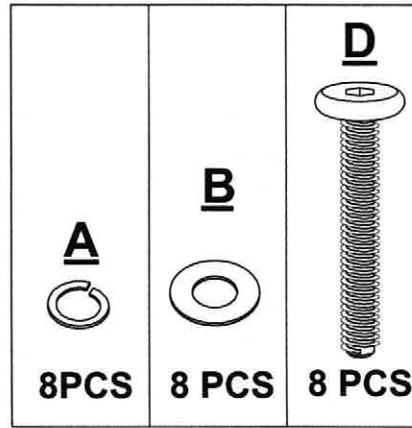
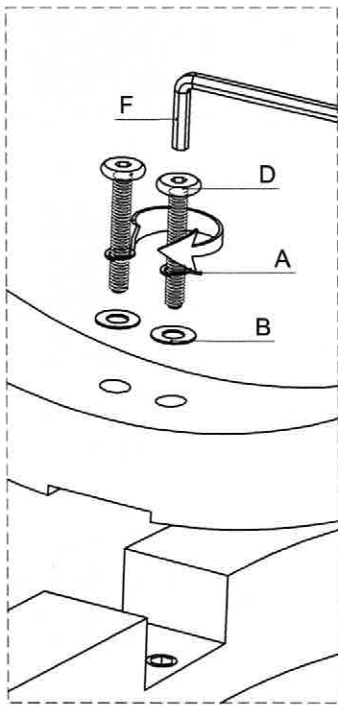
4



5



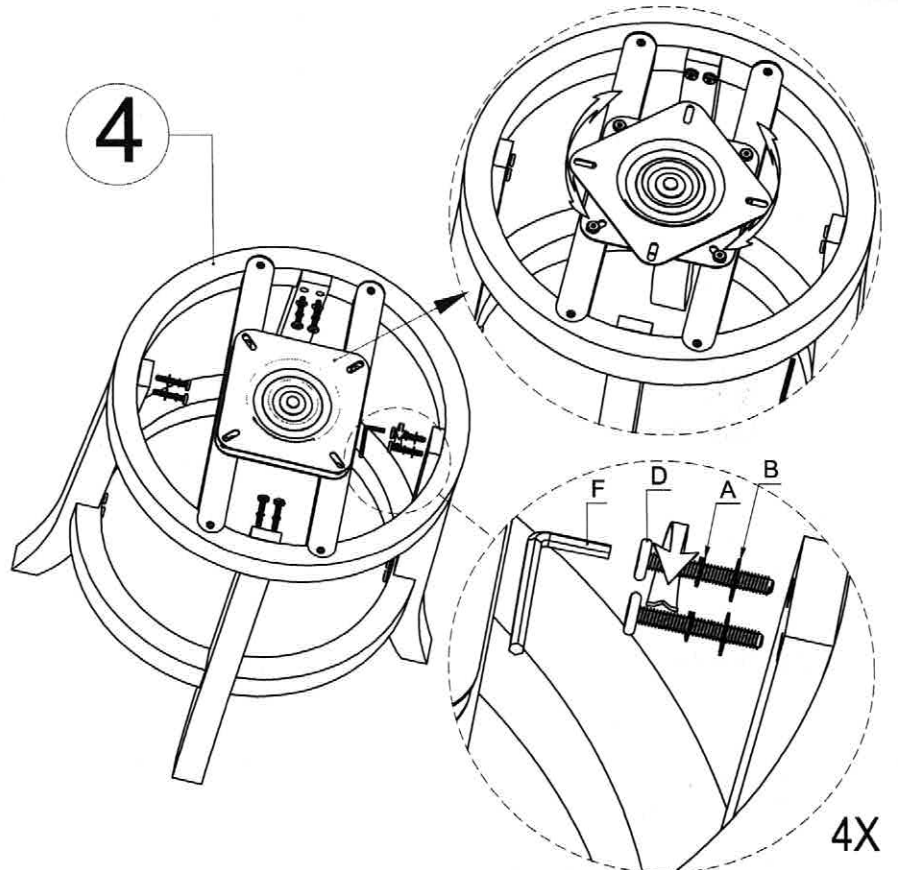
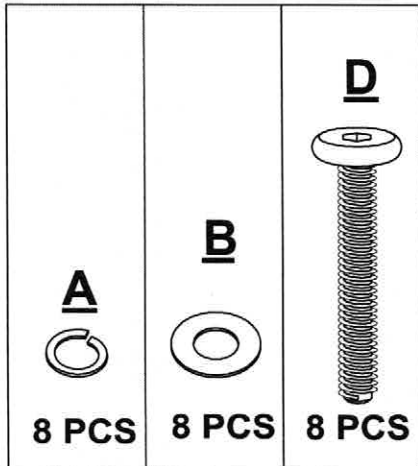
# 01



4X

DO NOT TIGHTEN BOLT COMPLETELY.

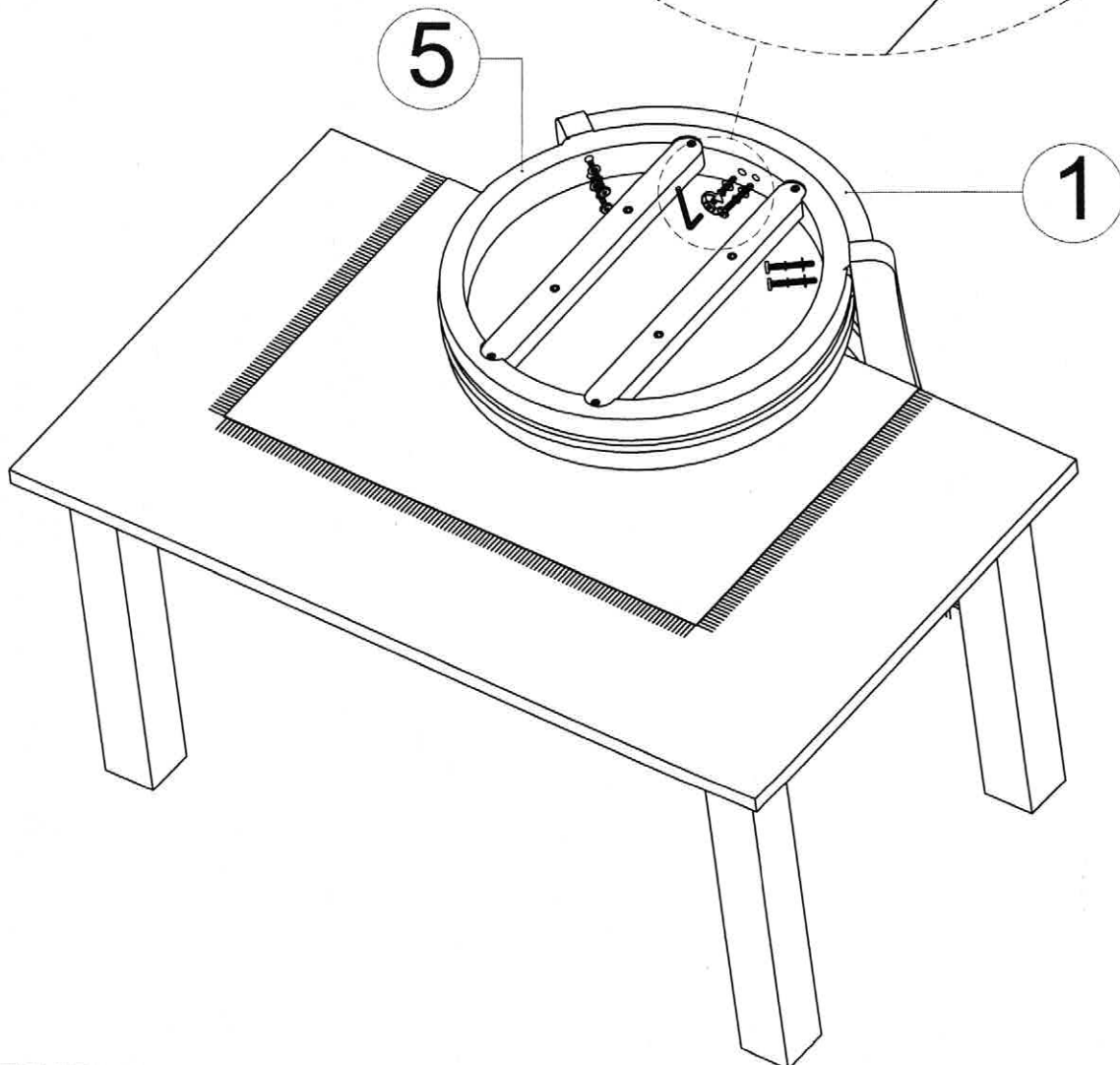
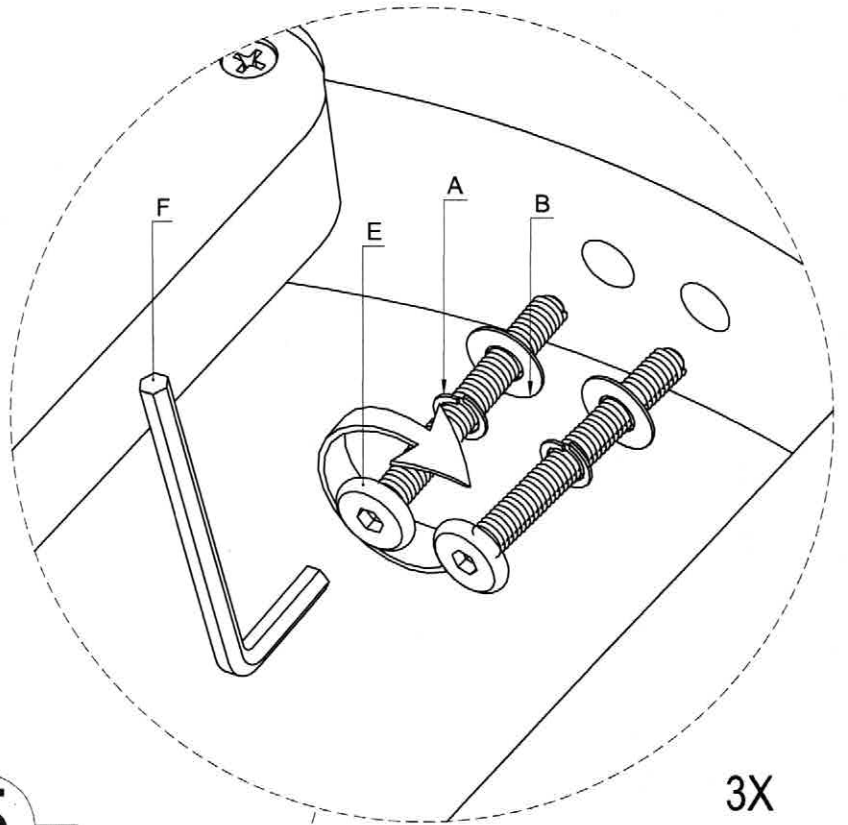
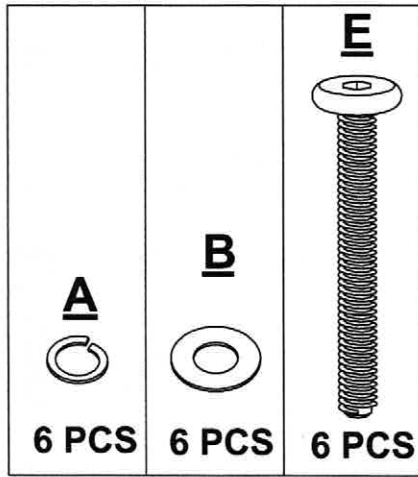
# 02



TIGHTEN BOLT COMPLETELY.

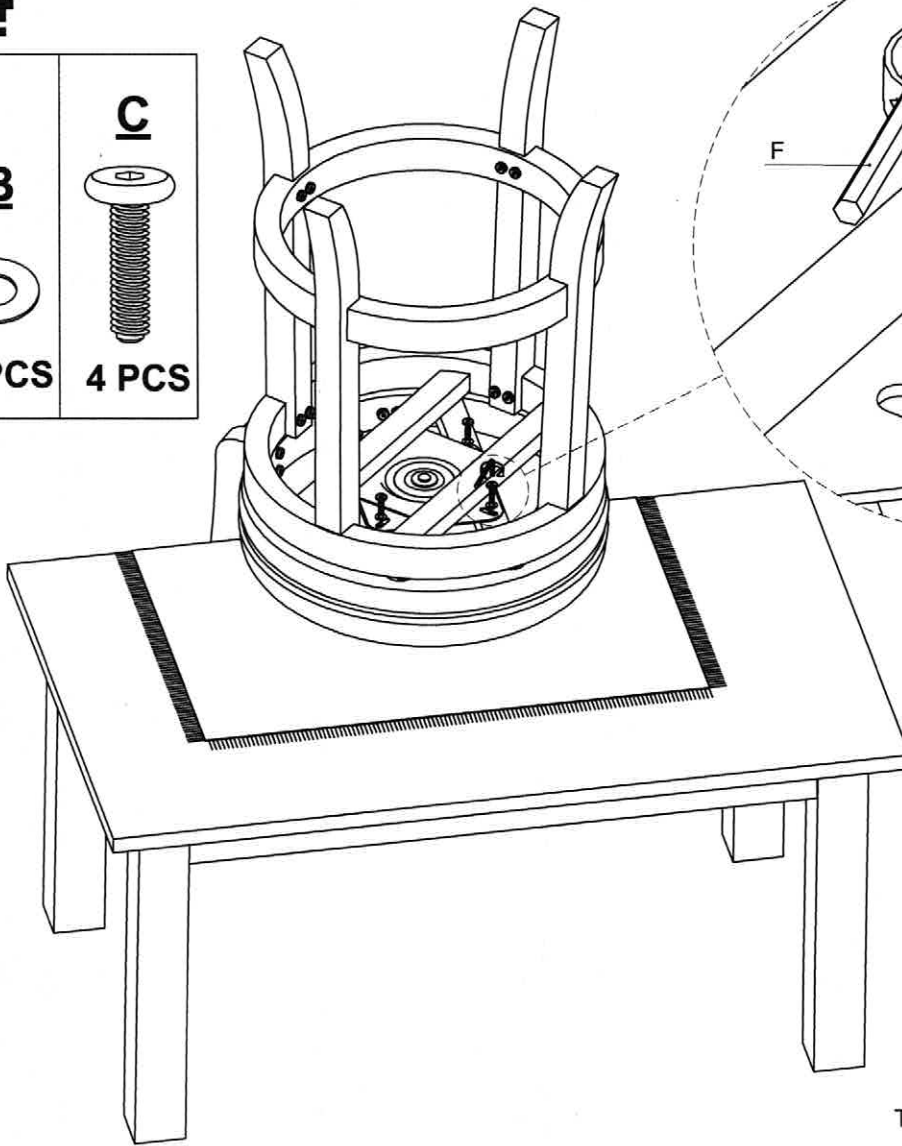
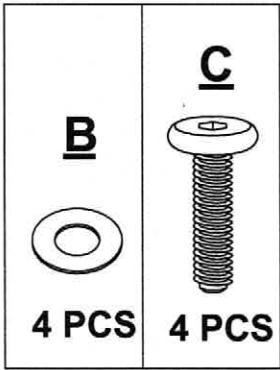
4X

# 03

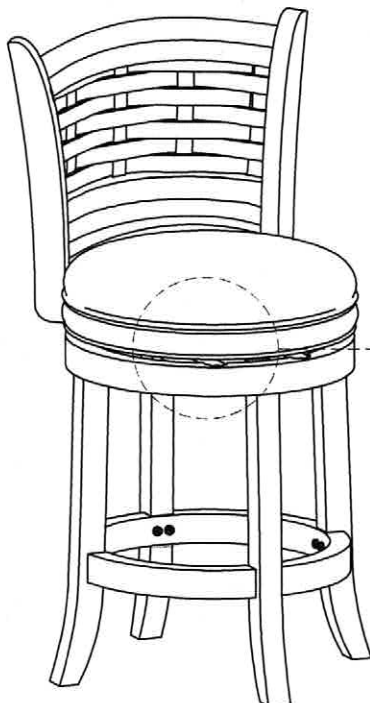


TIGHTEN BOLT COMPLETELY.

# 04



TIGHTEN BOLT COMPLETELY.



BE SURE TO CHECK ALL BOLTS ARE SECURELY TIGHTENED PRIOR USING THIS STOOL.