

ASSEMBLY INSTRUCTIONS

483-911

TOOLS REQUIRED:

None

BEFORE YOU START:

1. Check the parts against the parts list to make sure all items are present.
2. Assemble your furniture on a soft, flat surface to avoid scratching the finish.
3. CAUTION: Do not over tighten screws, nuts or bolts during assembly.
4. Your furniture may require occasional tightening.

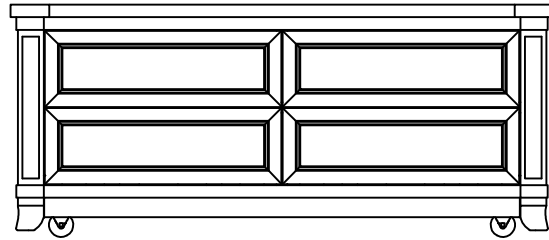
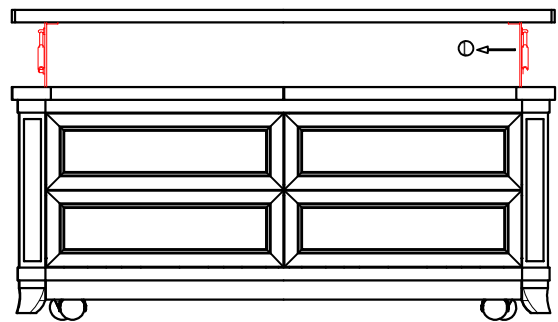


Figure 1



INSTRUCTIONS:

1. If necessary, open the lift up mechanism ①. As shown in Figure 1.
2. If necessary, open the lift up mechanism from the upper right side. As shown in Figure 2.

Figure 2

